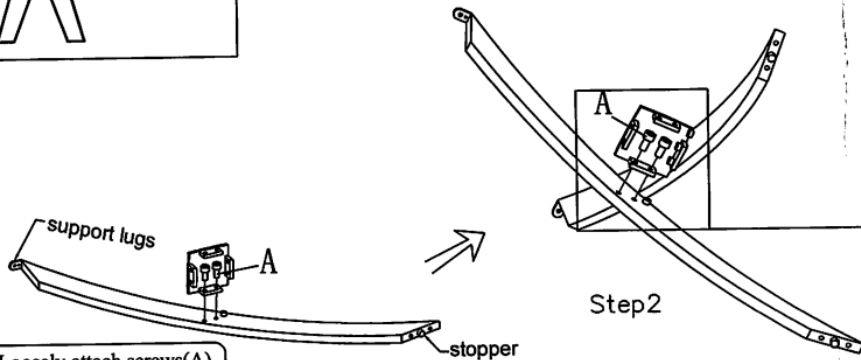


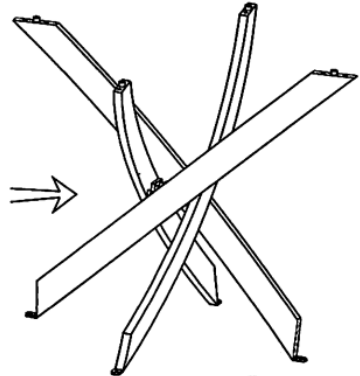
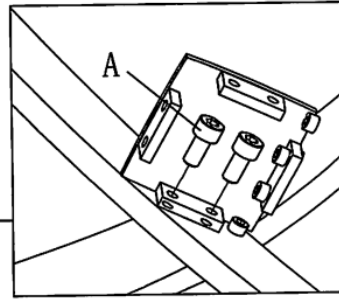
ASSEMBLY INSTRUCTION



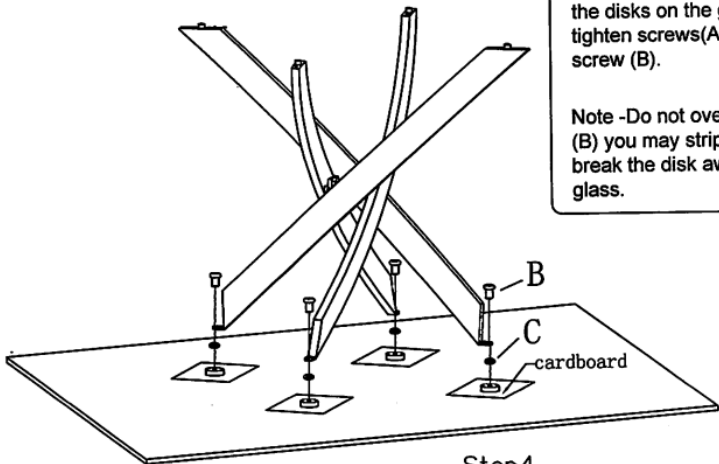
Loosely attach screws(A) to middle metal plate of legs.

Step1

Step2

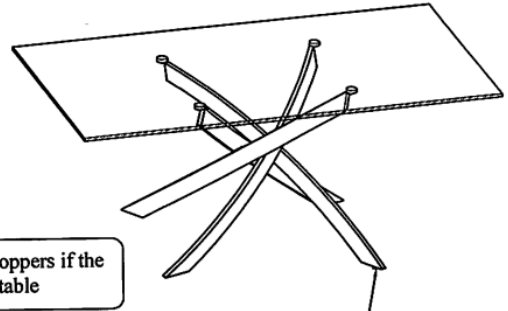


Step3



Step4






Loosely attach screws(B) to the disks on the glass ,and then tighten screws(A). Finally, tighten screw (B).
Note -Do not over tighten screws (B) you may strip the thread or break the disk away from the glass.



Adjust the stoppers if the table is not stable

Stopper adjustable Step5

FITTING PARTS LIST

A	B	C	D	E
 M8x16	 M8x12	 PVC		
8 PCS	4 PCS	4 PCS	1 PC	1 PC