




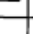
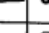






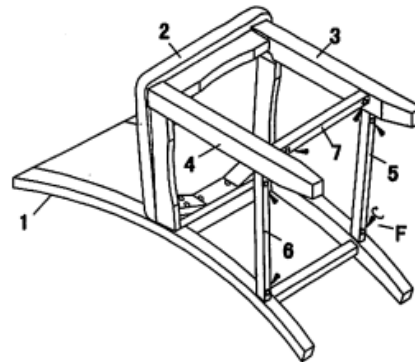
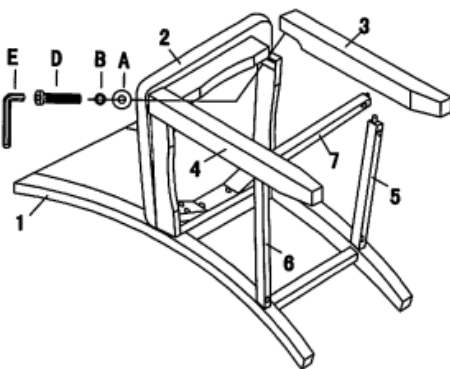
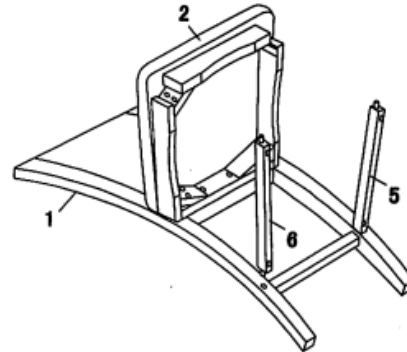
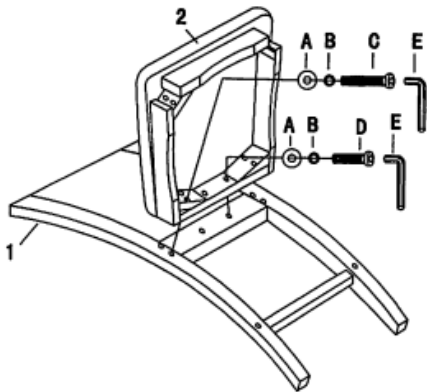
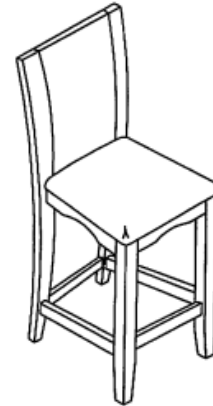








# ASSEMBLY INSTRUCTION



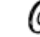




HARDWARE LIST			PARTS		
A		Ø5/16"×22	10pcs	1  CHAIR BACK	1pc
B		Ø5/16"	10pcs		
C		Ø5/16"×3-1/4"	4pcs	2  SEAT	1pc
D		Ø5/16"×2-1/4"	6pcs		
E		5mm	1pc	3  RIGHT FRONT LEG	1pc
F		Ø8×1-1/2"	6pcs	4  LIFT FRONT LEG	1pc
				5  RIGHT SIDE STRETCHER	1pc
				6  LIFT SIDE STRETCHER	1pc
				7  FRONT STRETCHER	1pc



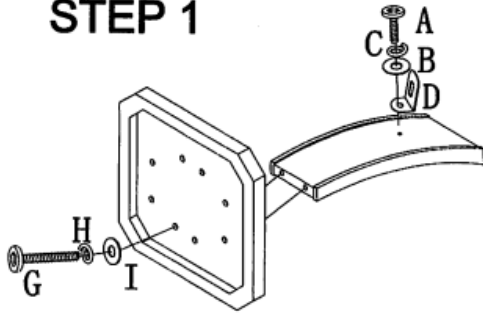
Do not tighten screws until completely assembled

# ASSEMBLY INSTRUCTIONS

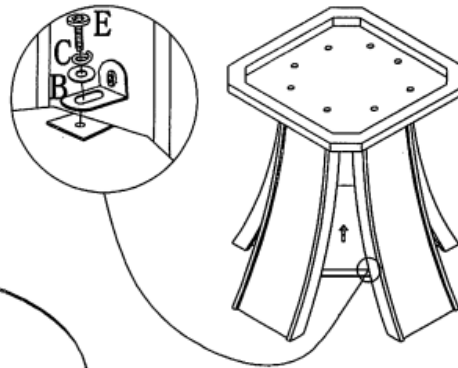
NO	DESCRIPTION	Q' TY
A	 $\phi 1/4" * 3/4"$	4PCS
B	 $\phi 1/4" * 16mm$	8PCS
C	 $\phi 1/4"$	8PCS
D		4PCS
E	 $\phi 1/4" * 1/2"$	4PCS
F		4PCS

NO	DESCRIPTION	Q' TY
G	 $\phi 5/16" * 2"$	8PCS
H	 $\phi 5/16"$	8PCS
I	 $\phi 5/16" * 22mm$	8PCS
J	 $5/16"$	1PCS
K	 $1/4"$	1PCS
L	 $1/4" * 20mm$	4PCS
M		4PCS

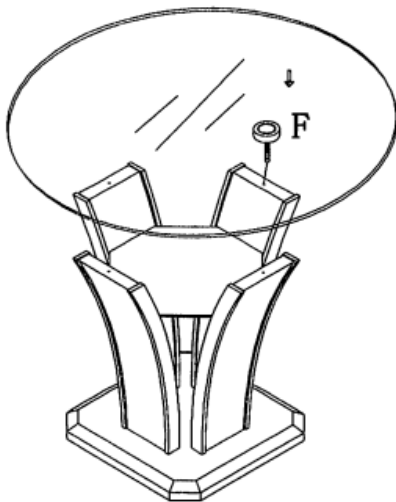
## STEP 1



## STEP 2



## STEP 4



## STEP 3

