



To make it easier to attach the TV support, we send 2 screw models that match the most commonly used TVs. If neither model fits your TV properly, purchase the compatible screw from any hardware store. To prevent damage to your TV, do not over tighten the screws.

Always take out the TV from the panel in the following situations:

- You are moving the wall panel;
- You are handling the cables;
- You are passing new cables.



Attention!

If the power plug is behind the panel, be sure that the cables are not forcing the panel forward.

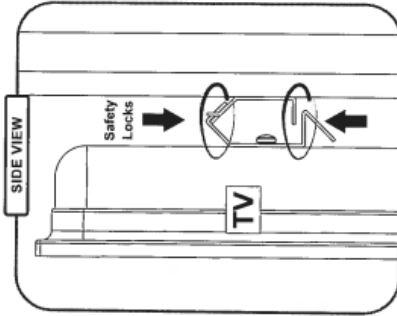
Steps to remove the TV from the wall panel:

1



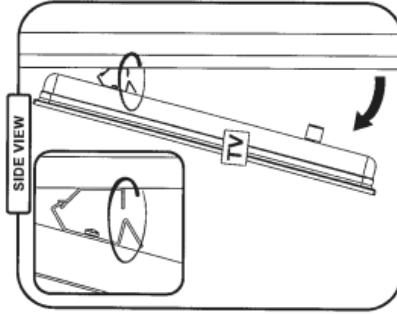
Attention!

There are safety locks in the support that keep the TV in its place. You can not take out the TV moving it to the sides.



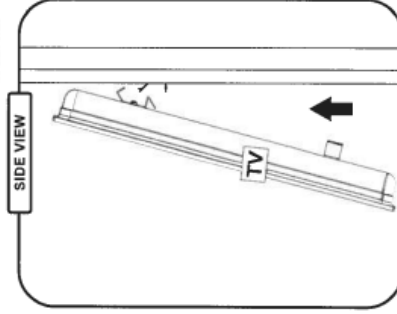
2

Incline the bottom part of the TV so that it passes the lower safety lock.



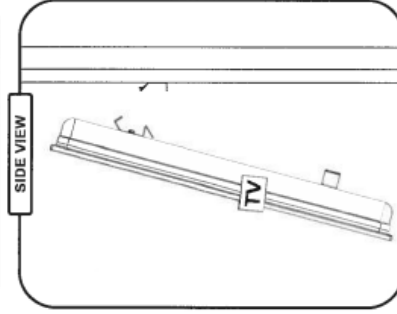
3

Lift the TV, removing it completely from the support.



4

Disconnect all the TV cables and remove the TV safely.



We are not responsible for TV damage caused by inappropriate handling.

User's Guide

ATTENTION
This product is designed to put the TV on the panel not on the niche.

Bilbao Wall Panel
1.0 Version

www.artely.com.tr

Conservation and Cleaning

Do not expose the product to sunlight, high temperatures and humidity. Do not drag objects across the surface of the unit (TV, DVD, stereo, decorative objects ...)

Keep it in a fresh dry place. For cleaning, use a dry and soft cloth. Do not use abrasive materials or alcohol.

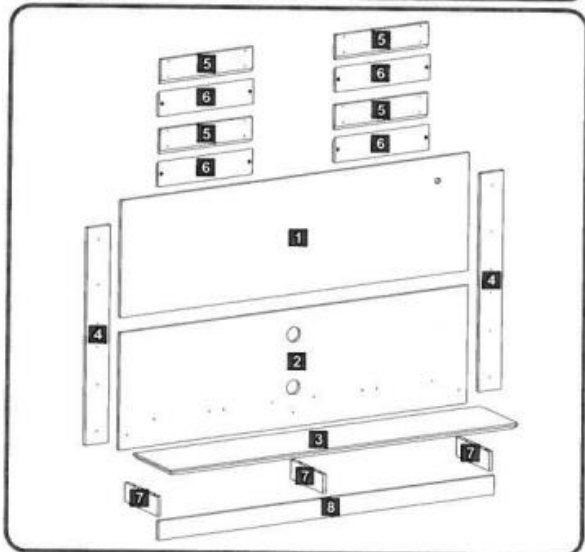
Assembly tools are not provided.

Hardware List

		Quantity
A	Peg	08
B	Mending Plate	03
C	Allen Key	01
D	Ø1/8"x1/2" CP Screw	24
E	Ø1/8" x 3/4" CP Screw	28
F	Ø1/8" x 1 1/8" CP Screw	04
G	Ø1/4"x1 5/8" Screw	09

Light fixture Kit

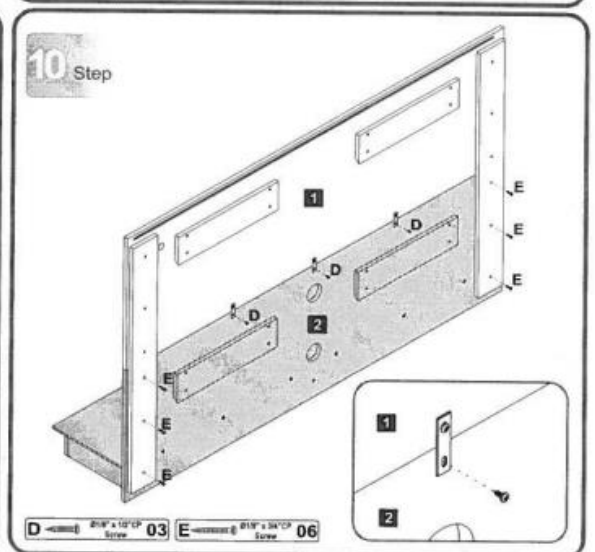
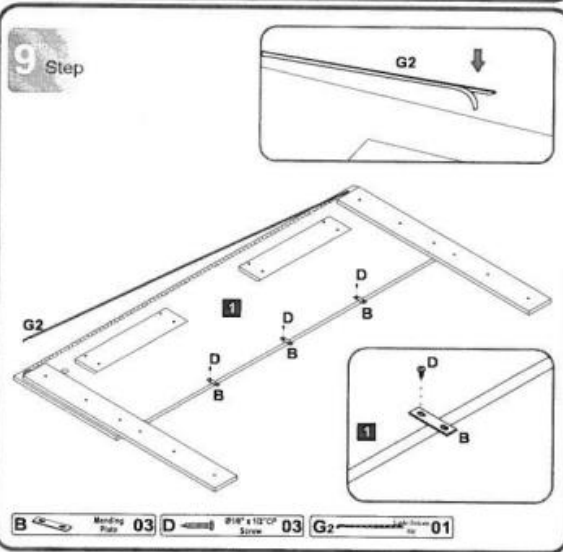
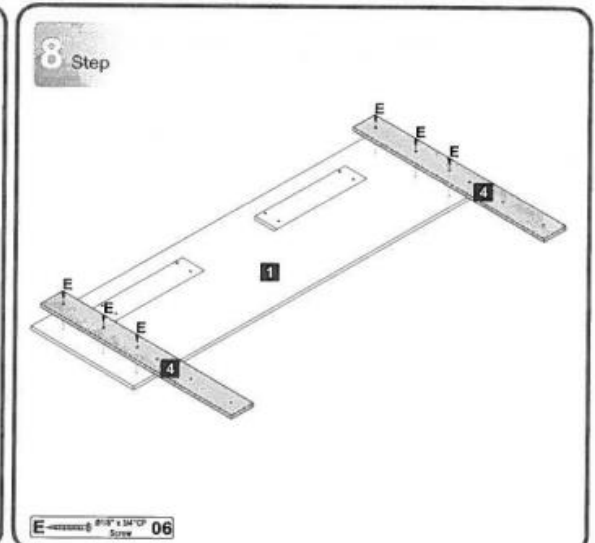
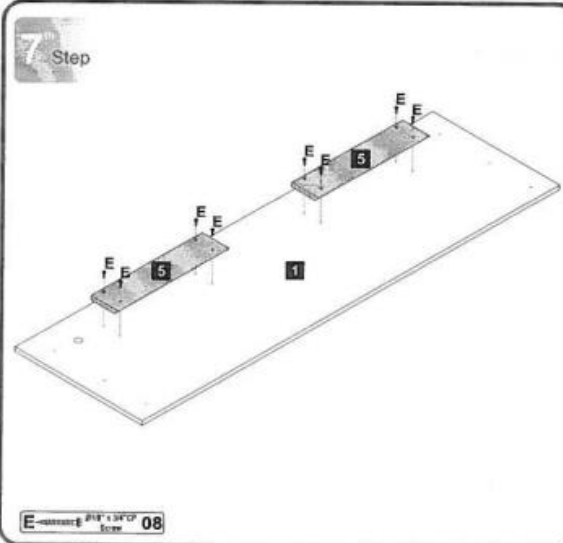
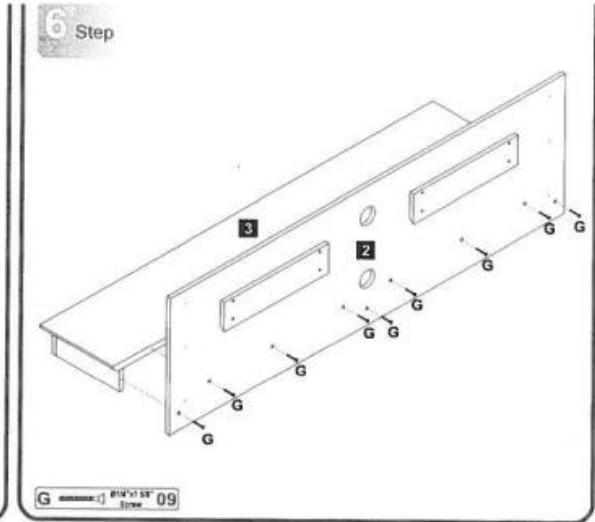
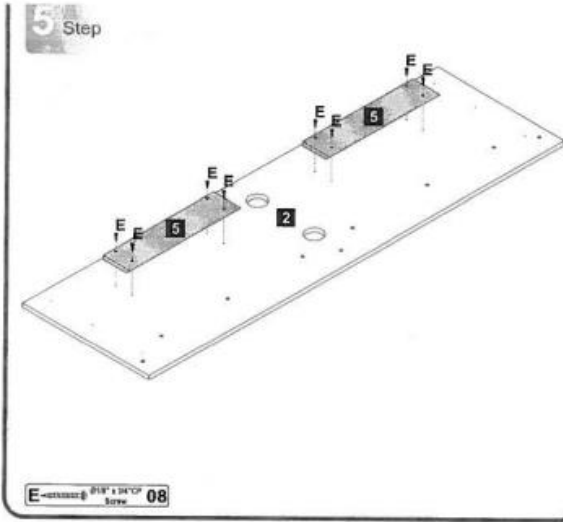
		Quantity
H	Light fixture Kit (2000mm)	01
I	1/4" x 2 1/2" 1/2" Head Screw	08
J	Ø3/8" bushing	08
K	Ø2 3/8" Wire Hole Cover	02
L	1"x1" Corner	06
M	Angular Support	02

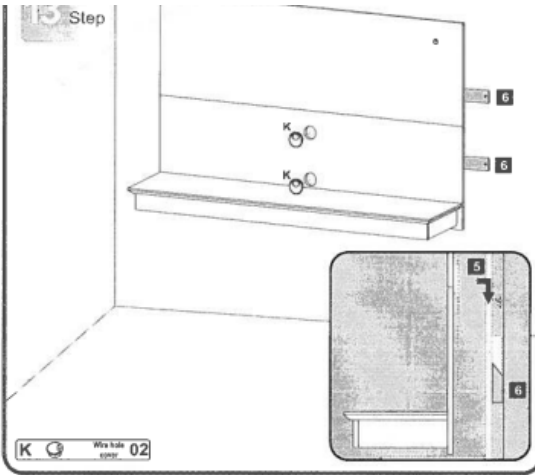


Assembly Instructions

Warning: The number on the edge of the piece matches the manual. Use a 100Wk eraser, Alcohol Gel or Furniture Polish to remove the numbers.

Description	Qty
1-Upper panel (63"x19 1/4"x5/8")	1
2-Back panel (63"x18 1/4"x5/8")	1
3-Shelf (62 7/8"x11 7/8"x1")	1
4-Crosspiece (34 7/8"x4 1/8"x5/8")	2
5-Panel ruler (16 3/4"x4 1/8"x5/8")	4
6-Wall ruler (17 1/8"x4 1/8"x5/8")	4
7-Side header (10 1/8"x3 1/8"x5/8")	3
8-Front header (60 3/4"x3 1/8"x5/8")	1





14 Step

TV Support Kit

Q1	Q2	Q3	02
1.38" x 3"	1.78" x 1.18"	4" x 2 1/4"	
Q6	Parafuso M10" x 58"		04
Q7	Parafuso M3/8" x 58"		04

! To make it easier to attach the TV support, we send 2 screw models that match the most commonly used TVs. If neither model fits your TV properly, purchase the compatible screw from any hardware store. To prevent damage to your TV, do not over-tighten the screws.

15 Step

63"

Y

H

X

Q3

F

F

F

F

Use the VESA Standard hole for TV installation. Calculate the centering and depth of the TV on the panel.

Y = Useful height above the TV.
H = Distance from the TV holes to the TV border.
X = Distance between the TV holes.

F 04

Q3 02

16 Step

Upper Support

Q1

Use the screw indicated in the TV manual (6" or VESA)!

TV

Q1

Q2

Lower Support

Q2

Use the screw indicated in the TV manual (6" or VESA)!

Q1 02

Q2 02

17 Step

TV

Q1

Q3