



ARTELY
Complementos para Sala

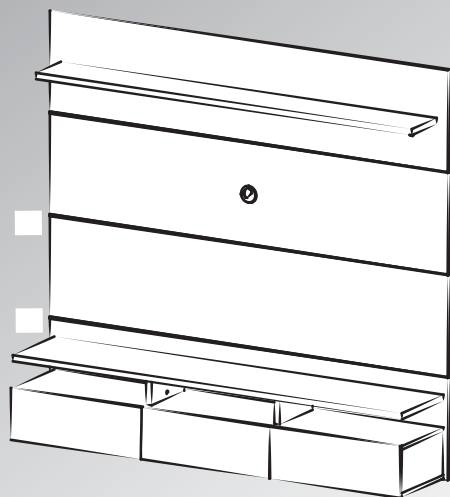
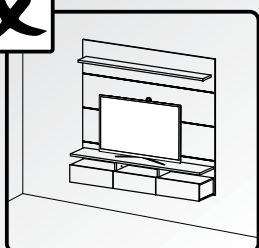
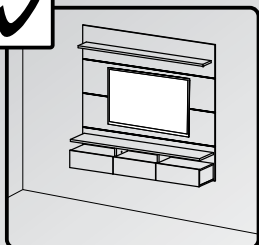
From our home to your home

Thank you! ¡Gracias! Obrigado!

User's Guide

ATTENTION

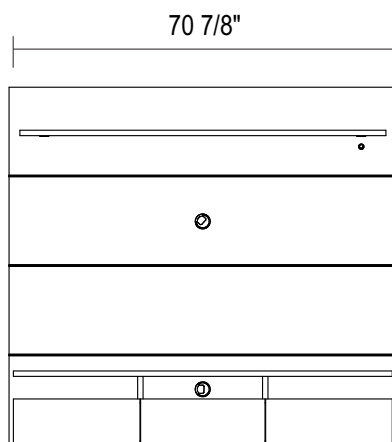
This product is designed to put the TV on the panel not on the niche.



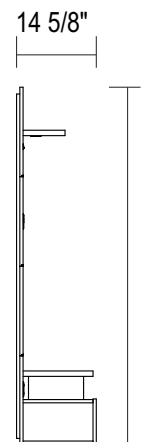
Bayona Wall Panel

www.artely.com.br

1.0 Version



Front



Side

Conservation and Cleaning

Do not expose the product to sunlight, high temperatures and humidity. Do not drag objects across the surface of the unit (TV, DVD, stereo, decorative objects ...). Keep it in a fresh dry place. For cleaning, use a dry and soft cloth. Do not use abrasive materials or alcohol.

Assembly tools are not provided.



Hardware List

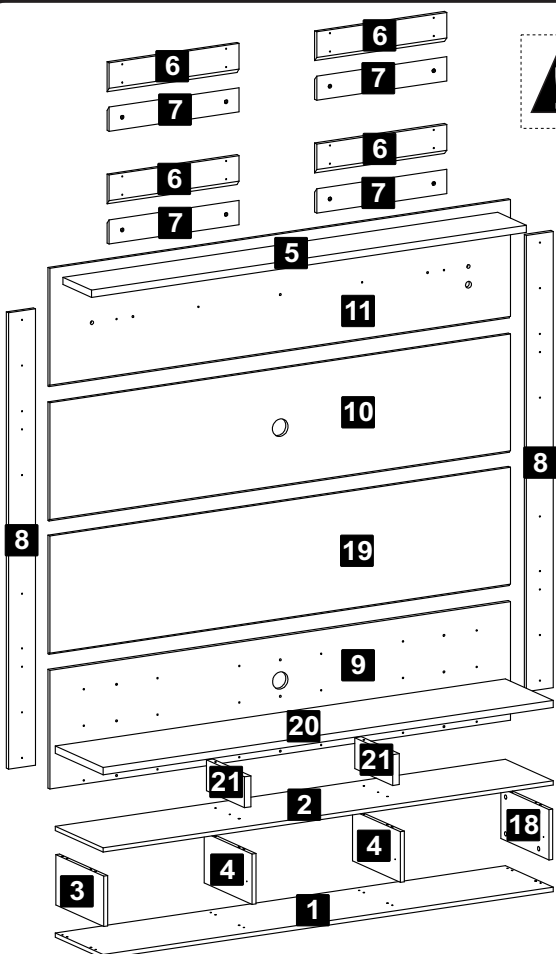
| | | Quantity |
|---|--|-----------------------|
| A | | Peg 48 |
| B | | Minifix 32 |
| C | | Minifix Cam 32 |
| D | | Hole Cover 32 |
| E | | Ø1/8x1/2" CP Screw 32 |
| F | | Ø1/4"x1 5/8" Screw 22 |
| G | | Light fixture Kit 01 |

Light fixture Kit

G1, G2, G4 2000mm

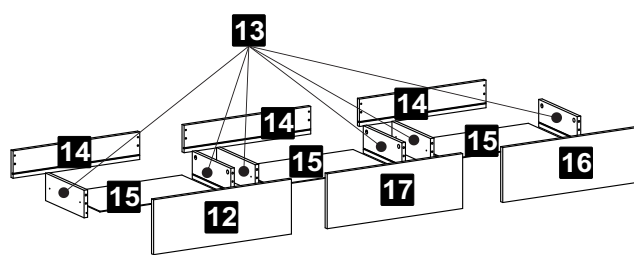
Bivolt Product 100/240v

| | | | |
|---|--|------------------------------------|-------------|
| H | | Ø1/8" x 1 1/8" CP Screw | Quantity 04 |
| I | | 1/4" x 2 1/2" 1/2" Head Screw | 08 |
| J | | Ø3/8" bushing | 08 |
| K | | Ø2 3/8" Wire Hole Cover | 02 |
| L | | Channel 70 7/8" | 03 |
| M | | M1, M2 Telescopic Slider Kit 300mm | 03 |
| N | | Junction | 02 |
| O | | Allen Key | 01 |
| P | | Ø1/8" x 3/4" CP Screw | 40 |



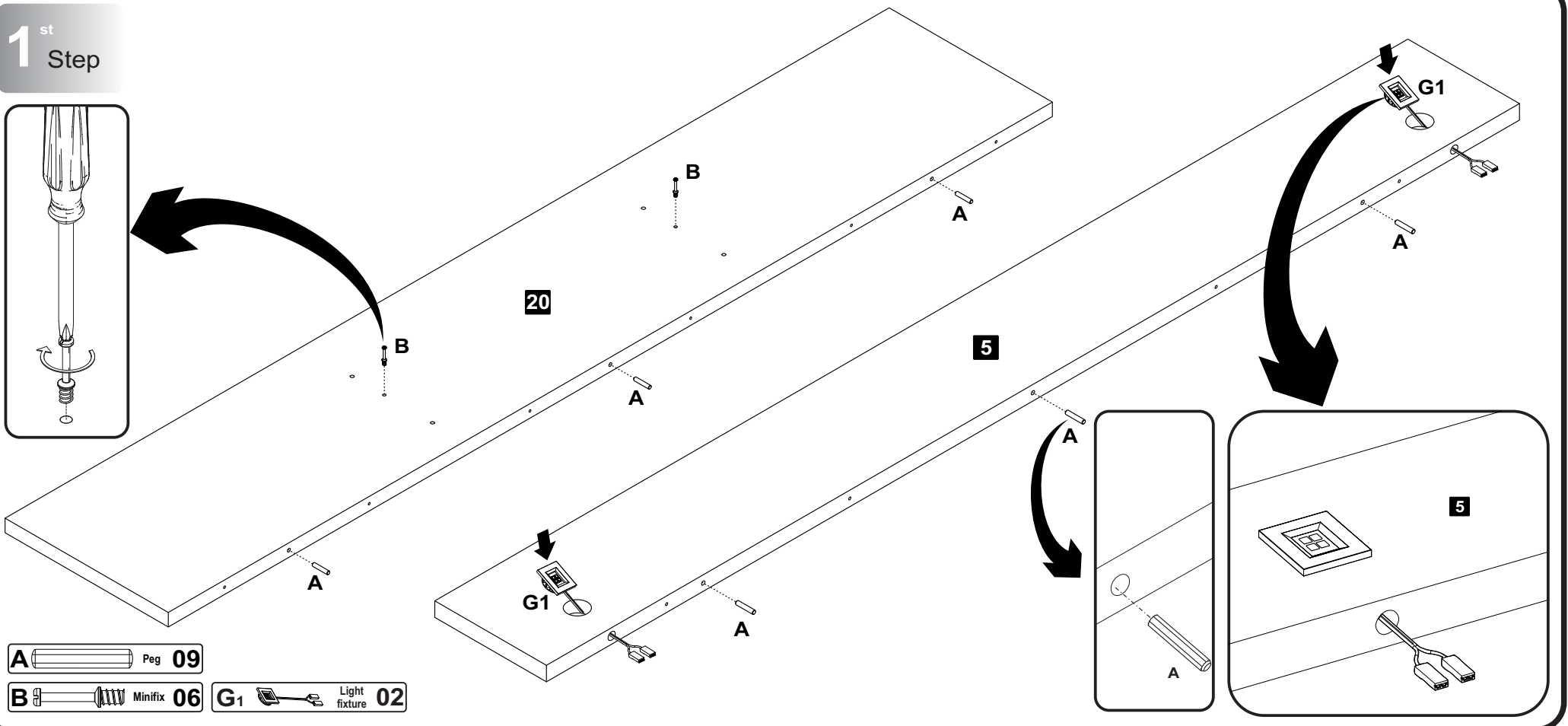
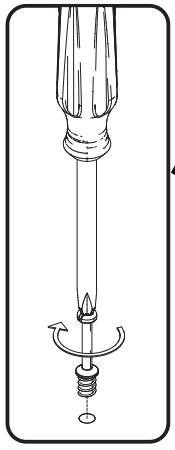
! Piece 01

-The number on the edge of the piece matches the manual.
-Use a White eraser, Alcohol Gel or Furniture Polish to remove the numbers.



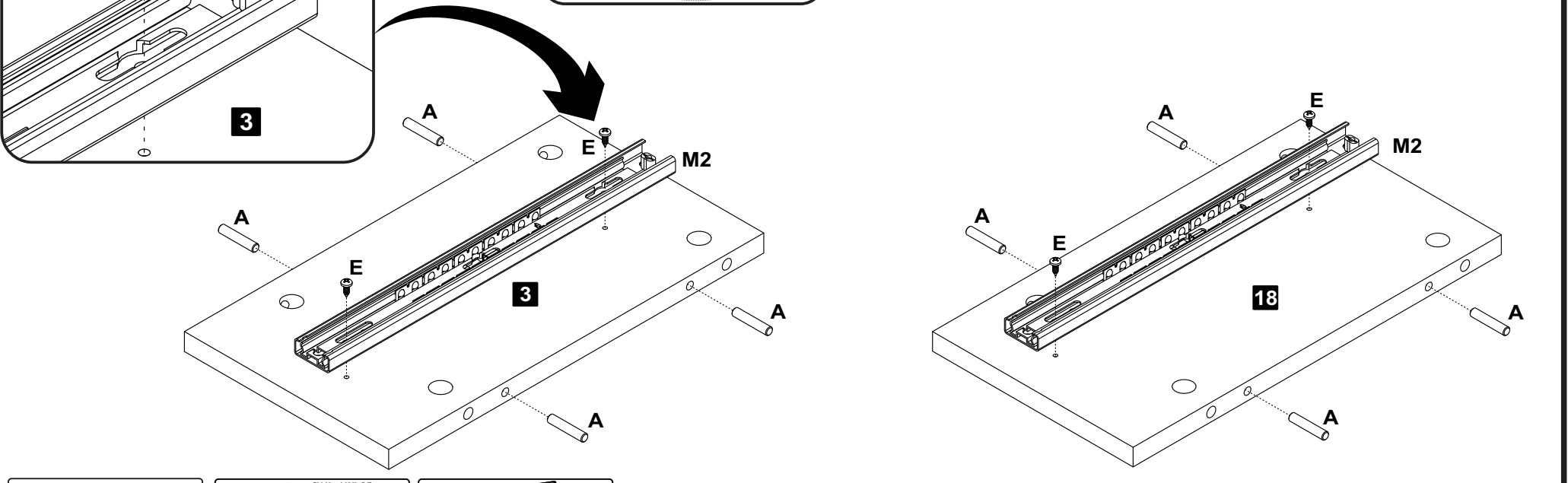
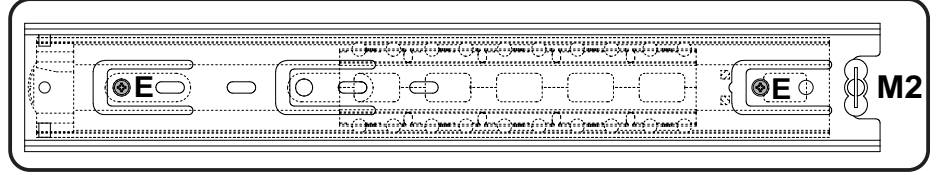
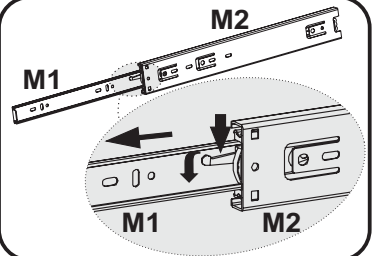
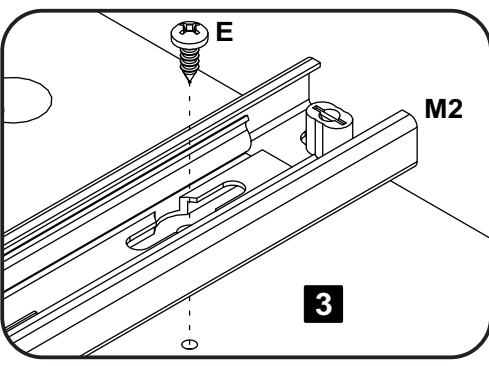
| Description | Qty |
|--|-----|
| 1-Base (69 3/8"x12 3/4"x5/8") | 1 |
| 2-Top (69 3/8"x12 3/4"x5/8") | 1 |
| 3-Left side (7"x12 3/4"x5/8") | 1 |
| 4-Division (7"x12 3/4"x5/8") | 2 |
| 5-Upper shelf (66 7/8"x7 3/4"x1") | 1 |
| 6-Panel ruler(20"x4 1/8"x5/8") | 4 |
| 7-Wall ruler (20"x3 3/8"x5/8") | 4 |
| 8-Crosspiece (63"x4 1/8"x5/8") | 2 |
| 9-Back panel (70 7/8"x16 3/8"x5/8") | 1 |
| 10-Central panel (70 7/8"x16 3/8"x5/8") | 1 |
| 11-Upper panel (70 7/8"x16 3/8"x5/8") | 1 |
| 12-Left front drawer (23 1/8"x8 1/4"x5/8") | 1 |
| 13-Side drawer (11 1/4"x4 1/8"x5/8") | 6 |
| 14-Back drawer (21 1/4"x4 1/8"x5/8") | 3 |
| 15-Bottom drawer (20 1/2"x11 5/8"x5/8") | 3 |
| 16-Right front drawer (23 1/8"x8 1/4"x5/8") | 1 |
| 17-Cetral front drawer (22 3/4"x8 1/4"x5/8") | 1 |
| 18-Right side (7"x12 3/4"x5/8") | 1 |
| 19-Intermediary panel (70 7/8"x16 3/8"x5/8") | 1 |
| 20-Intermediary top (69 3/8"x12 3/4"x1") | 1 |
| 21-Upper division (4 1/4"x10 1/8"x1") | 2 |

1st Step



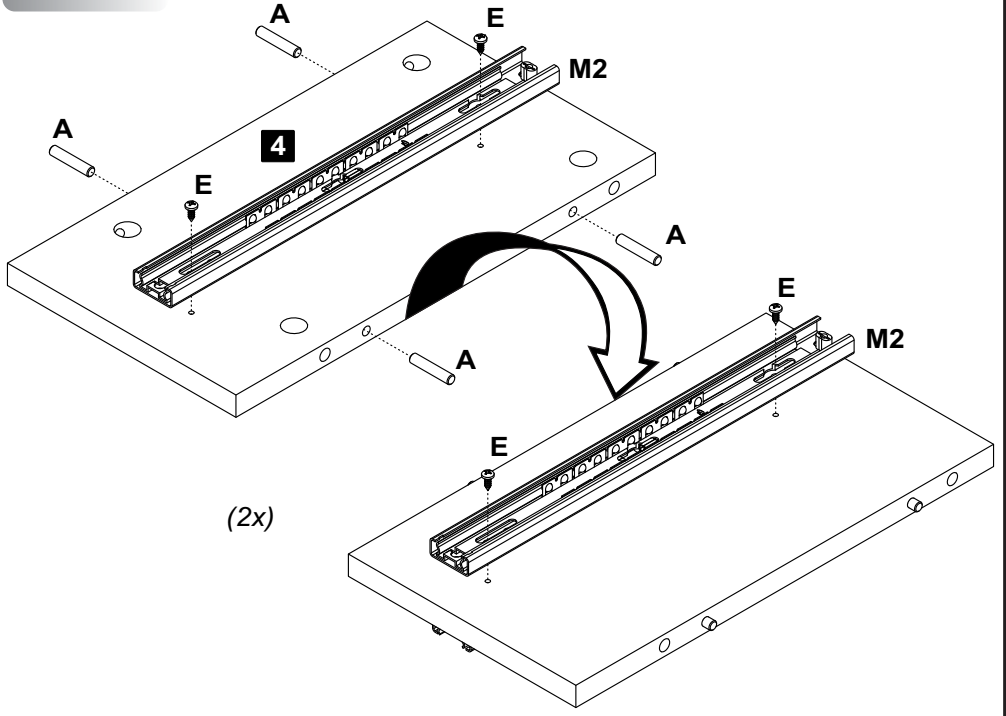
- A Peg 09
- B Minifix 06
- G1 Light fixture 02

2nd Step



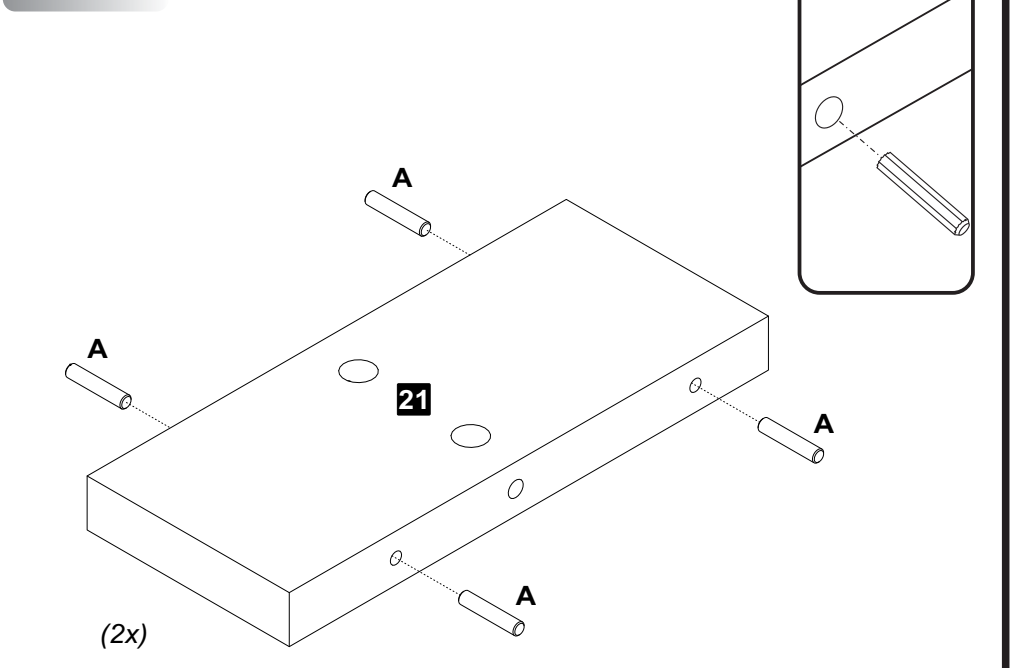
- A Peg 08
- E Ø1/8x1/2" CP Screw 04
- M2 02

3rd Step



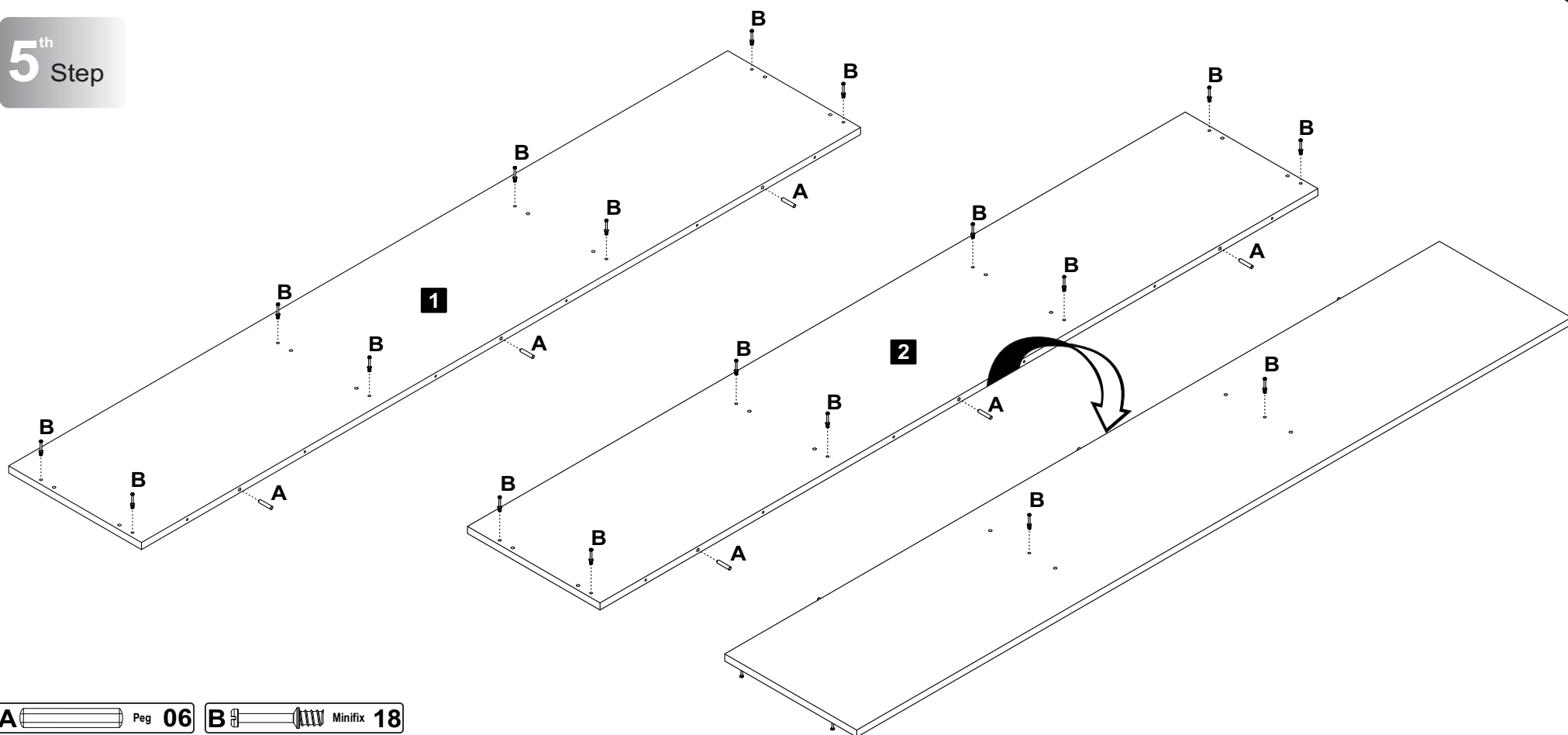
- A Peg 08
- E Ø1/8x1/2" CP Screw 08
- M2 04

4th Step



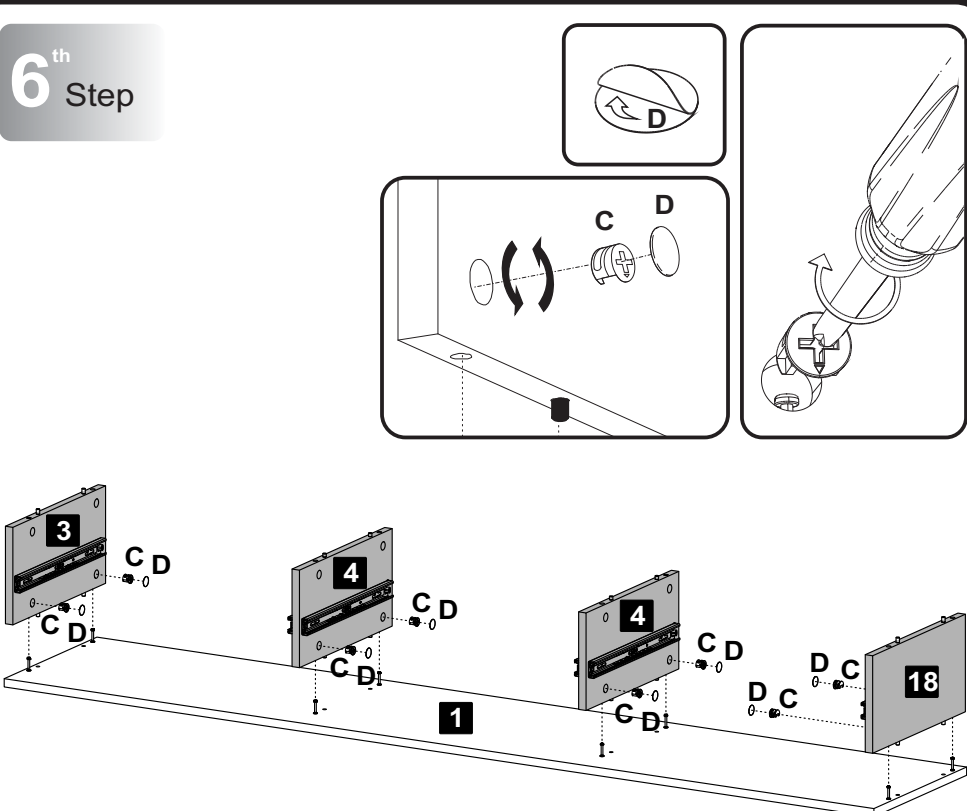
- A Peg 08

5th Step



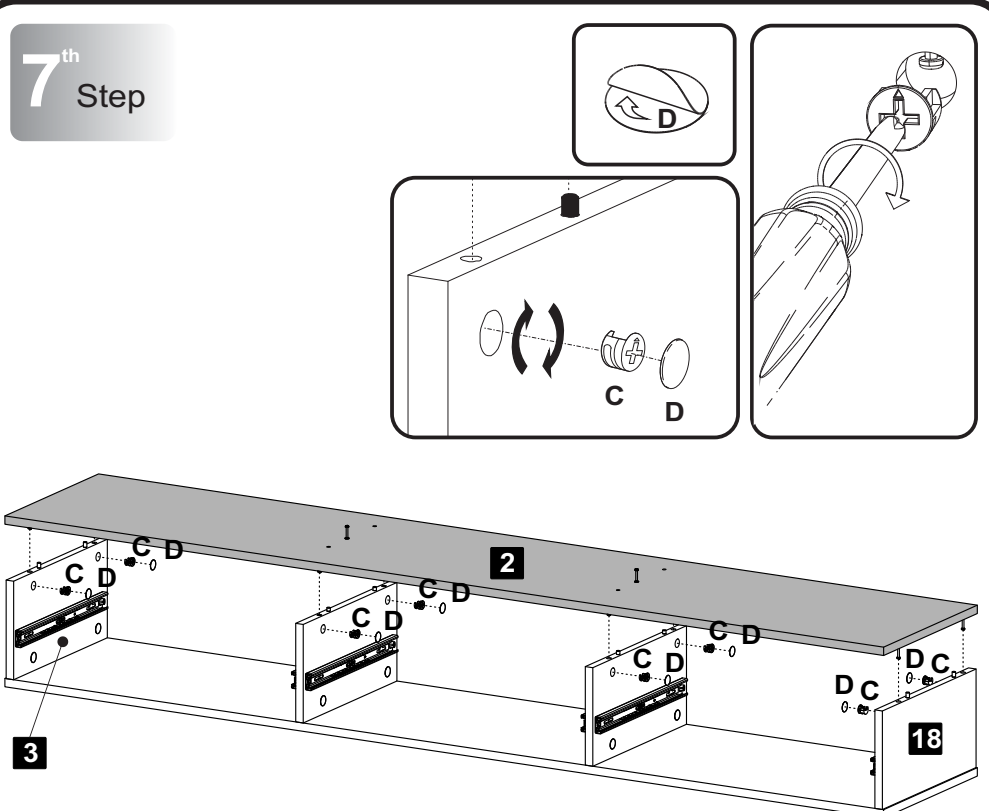
A Peg 06 B Minifix 18

6th Step



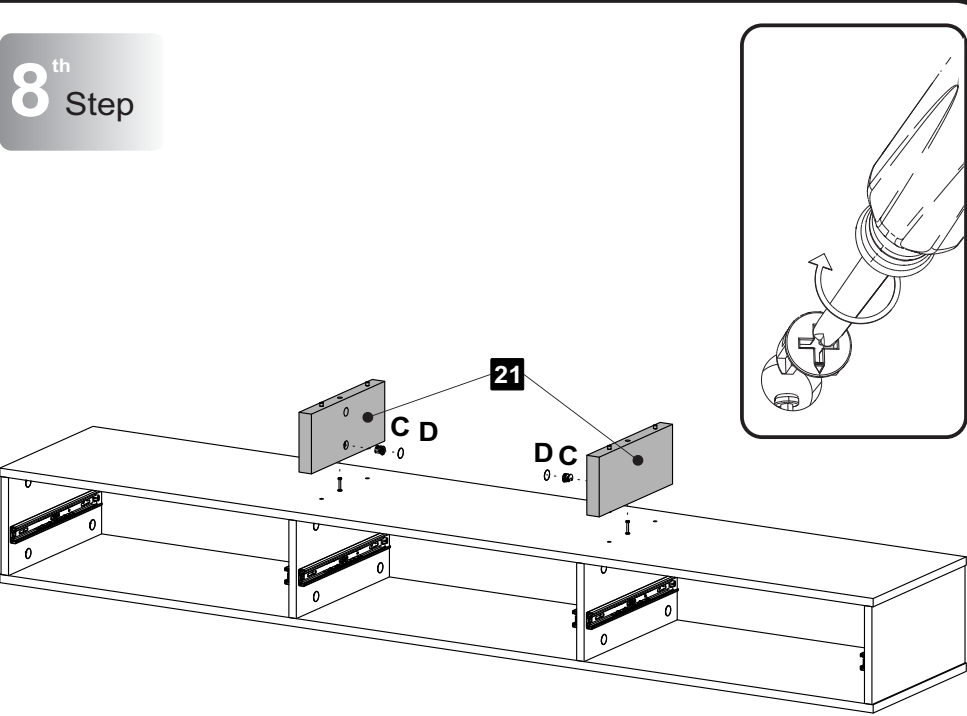
C Minifix Cam 08 D Hole Cover 08

7th Step



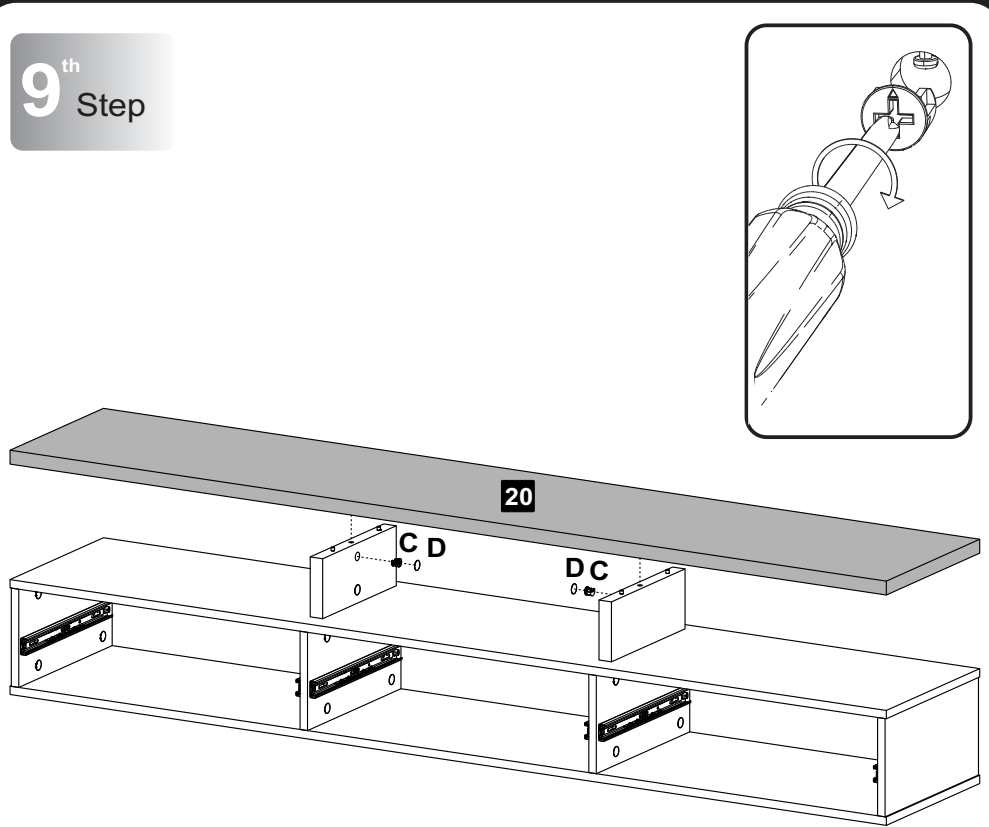
C Minifix Cam 08 D Hole Cover 08

8th Step



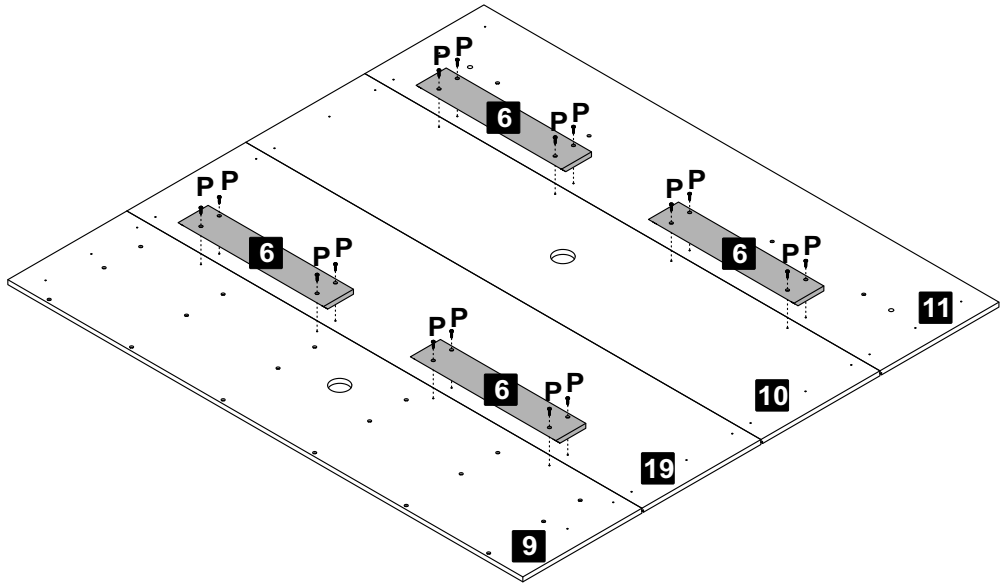
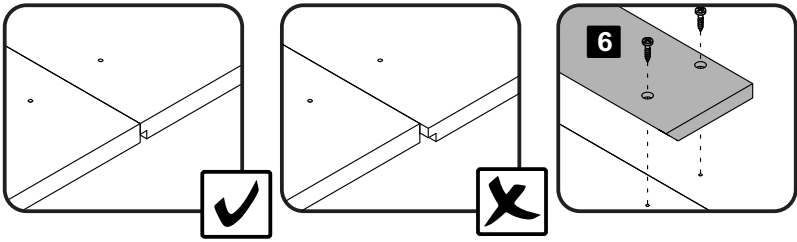
C Minifix Cam 02 D Hole Cover 02

9th Step



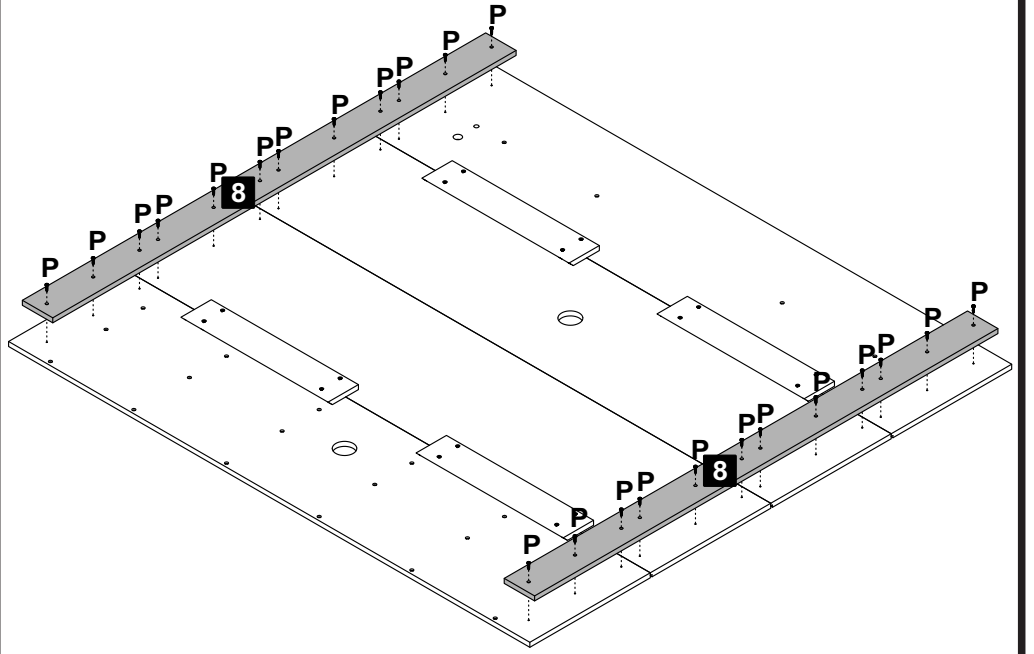
C Minifix Cam 02 D Hole Cover 02

10th Step



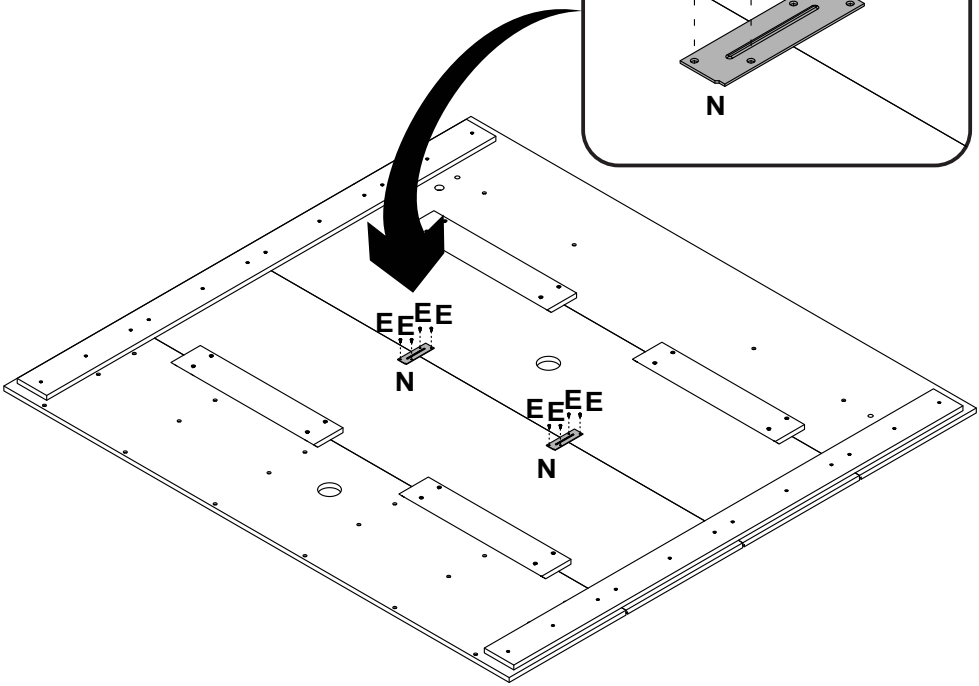
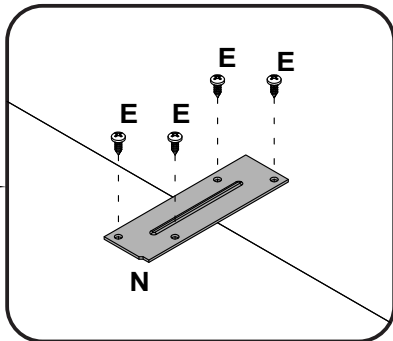
P $\varnothing 1/8'' \times 3/4''$ CP Screw 16

11th Step



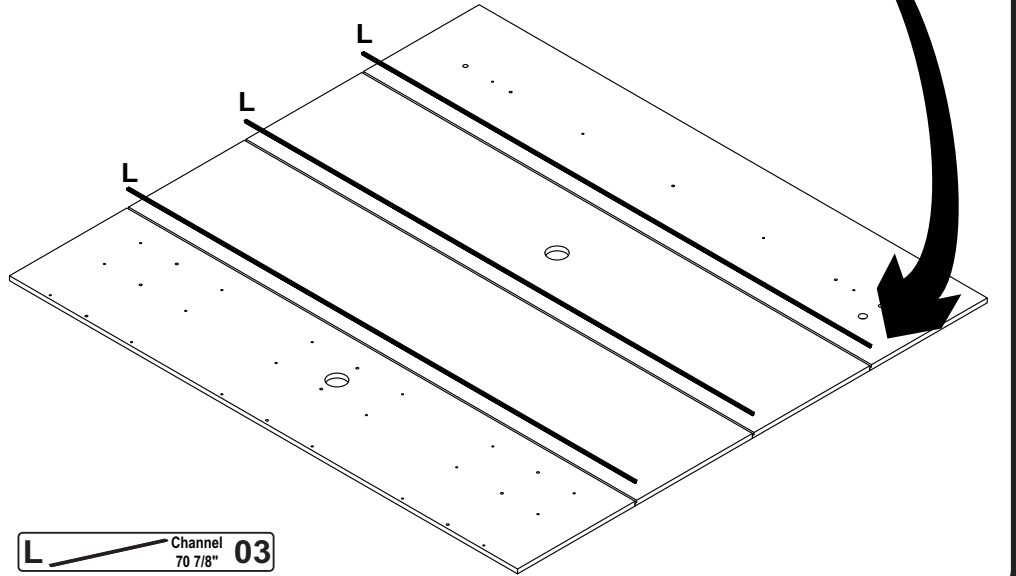
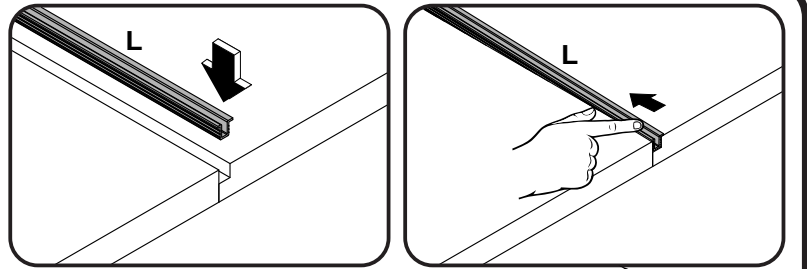
P $\varnothing 1/8'' \times 3/4''$ CP Screw 24

12th Step



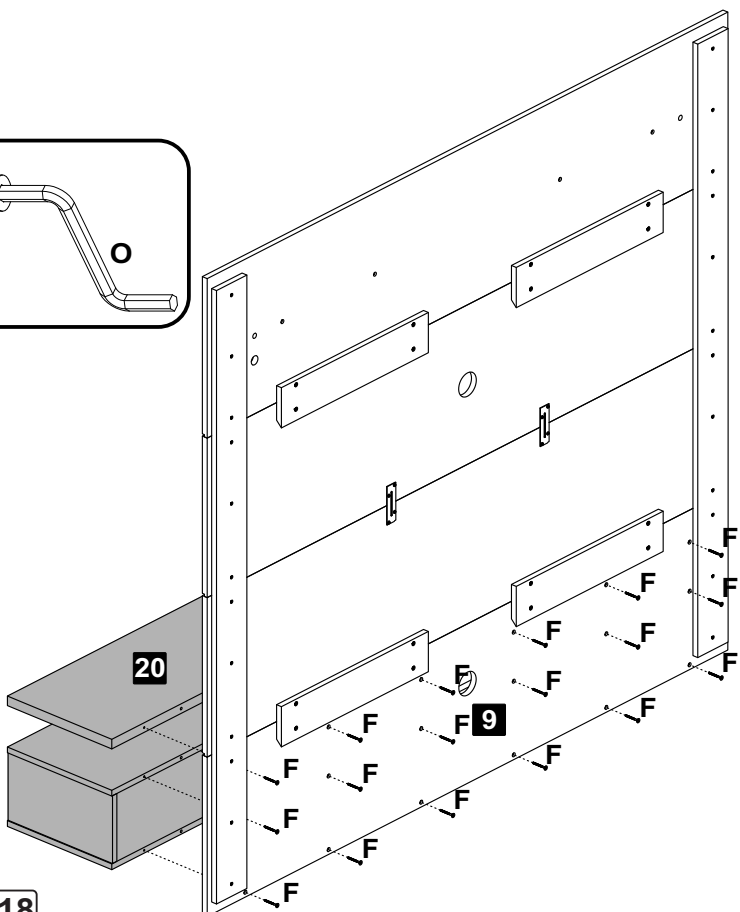
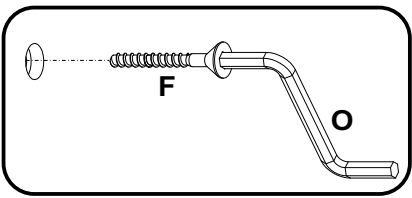
E $\varnothing 1/8 \times 1/2''$ CP Screw 08 N Junction 02

13th Step



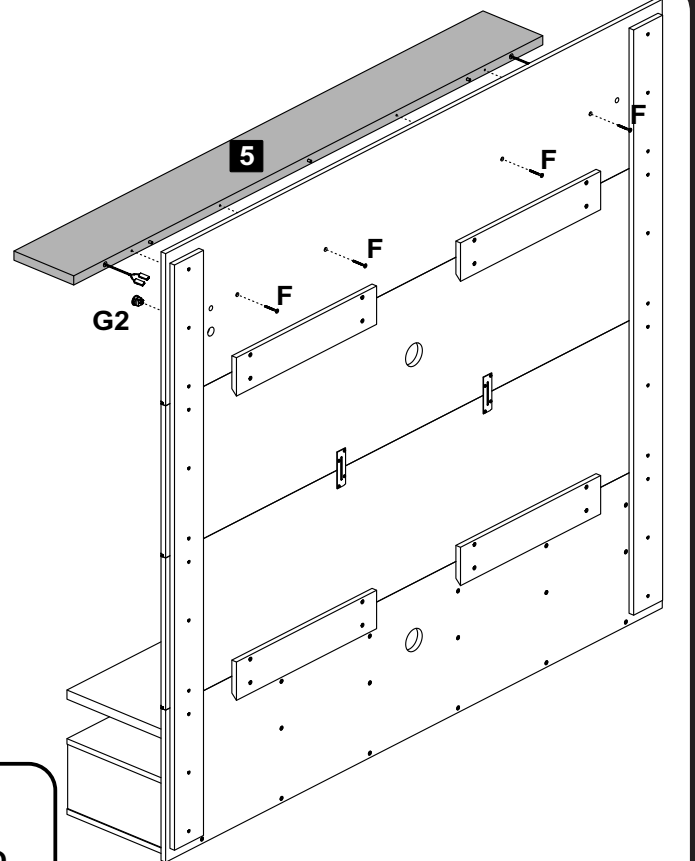
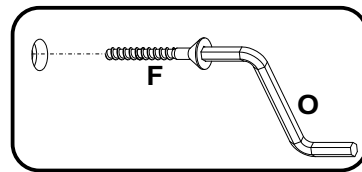
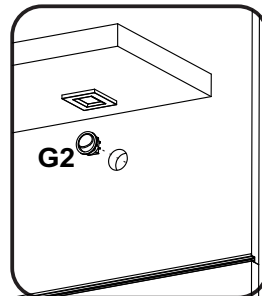
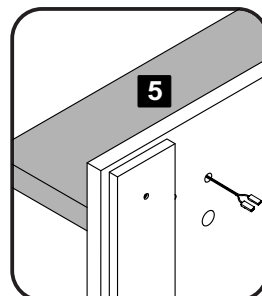
L Channel 70 7/8'' 03

14th Step



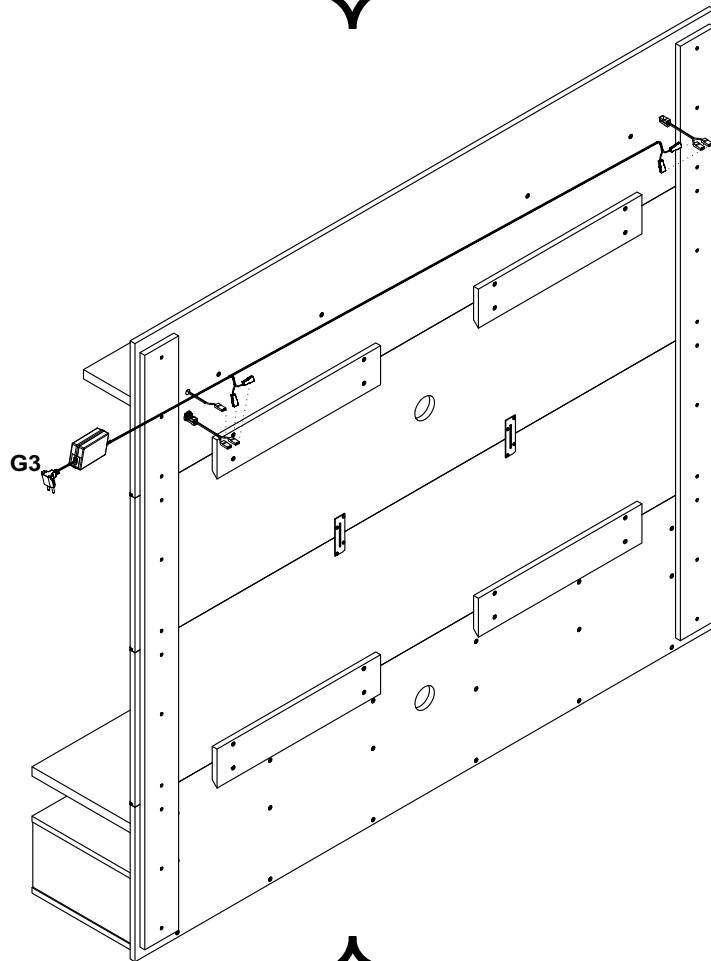
F $\varnothing 1/4'' \times 1 5/8''$ Screw 18

15th Step



F $\varnothing 1/4'' \times 1 5/8''$ Screw 04 G2 Light fixture Kit 01

16th Step



G3 Light fixture Kit 01

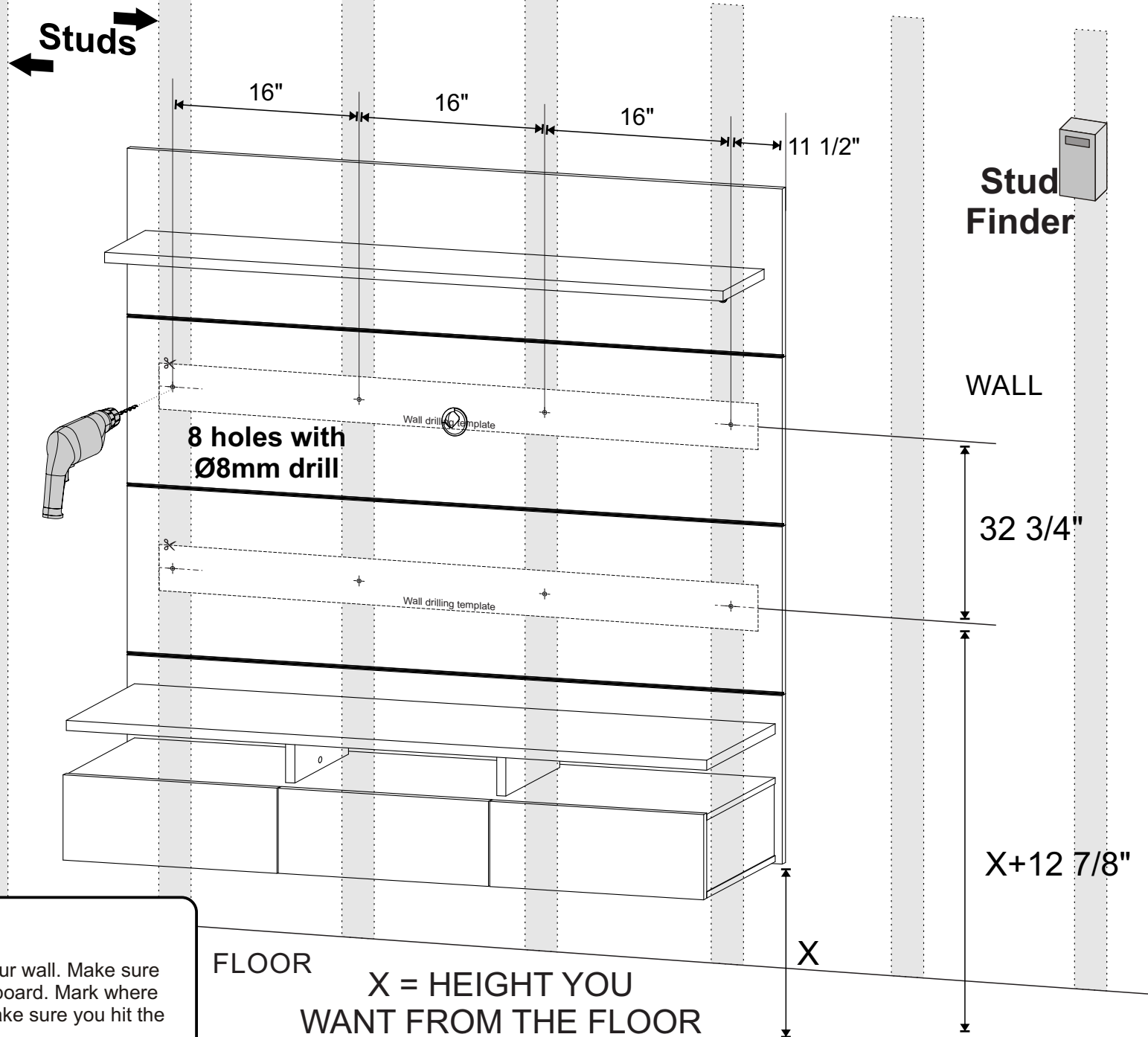
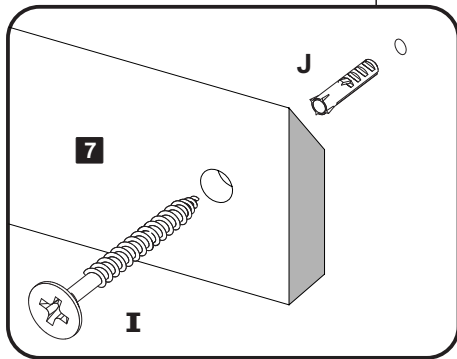
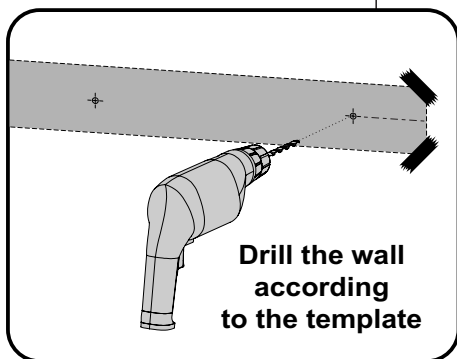
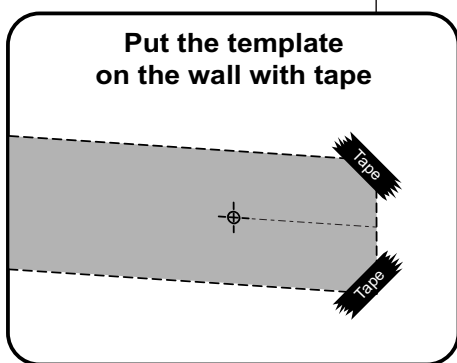


Attention

Check the manual that comes with the Light Fixture Kit before plugging it in.

17th Step

There is a wall drilling template printed on the box.



Wall Mounting Points

Wall panel must be solidly attached to your wall. Make sure that you locate the studs behind the wallboard. Mark where the center of each stud is located and make sure you hit the stud with the wood "I" screws.

Studs are usually 16" (406mm) apart from the center of one to the center of another. Using a Stud Finder is the easiest way to locate studs.

The recommended method of installation is to fasten the panel to wooden wall studs.

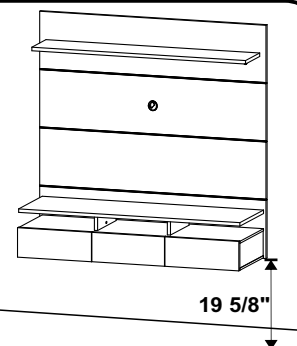
If you cannot locate wooden wall studs, consult your local hardware store for advice on the best type of wall anchors for your installation.

Example:

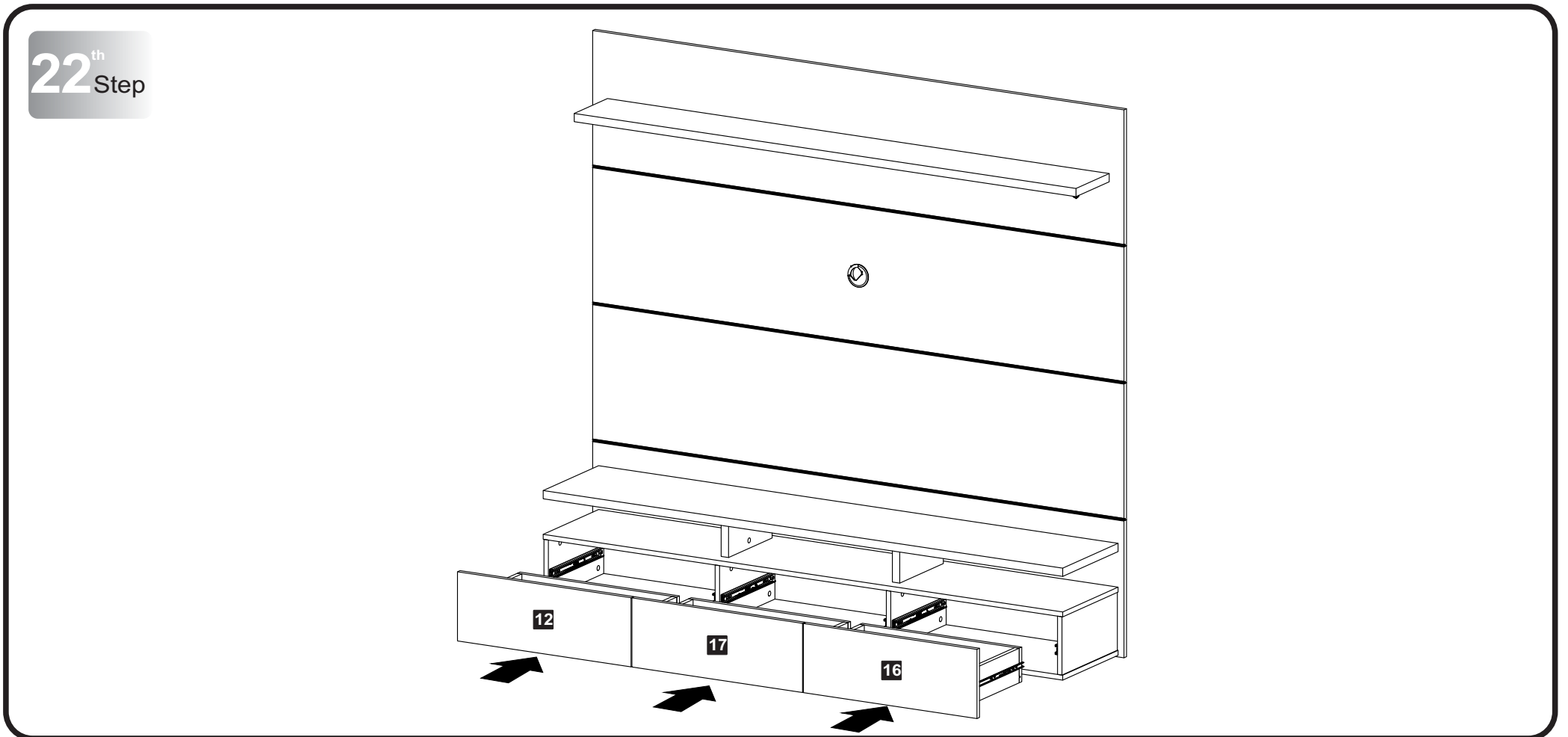
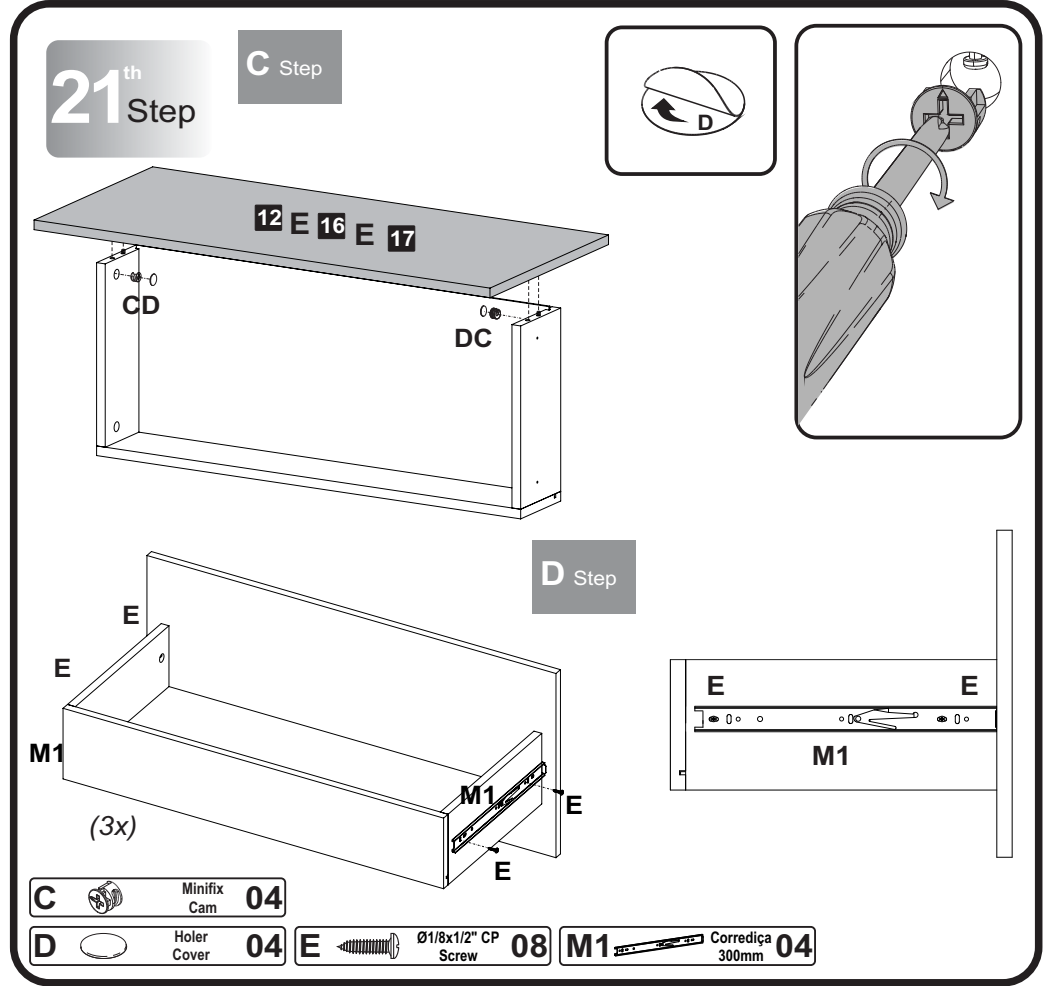
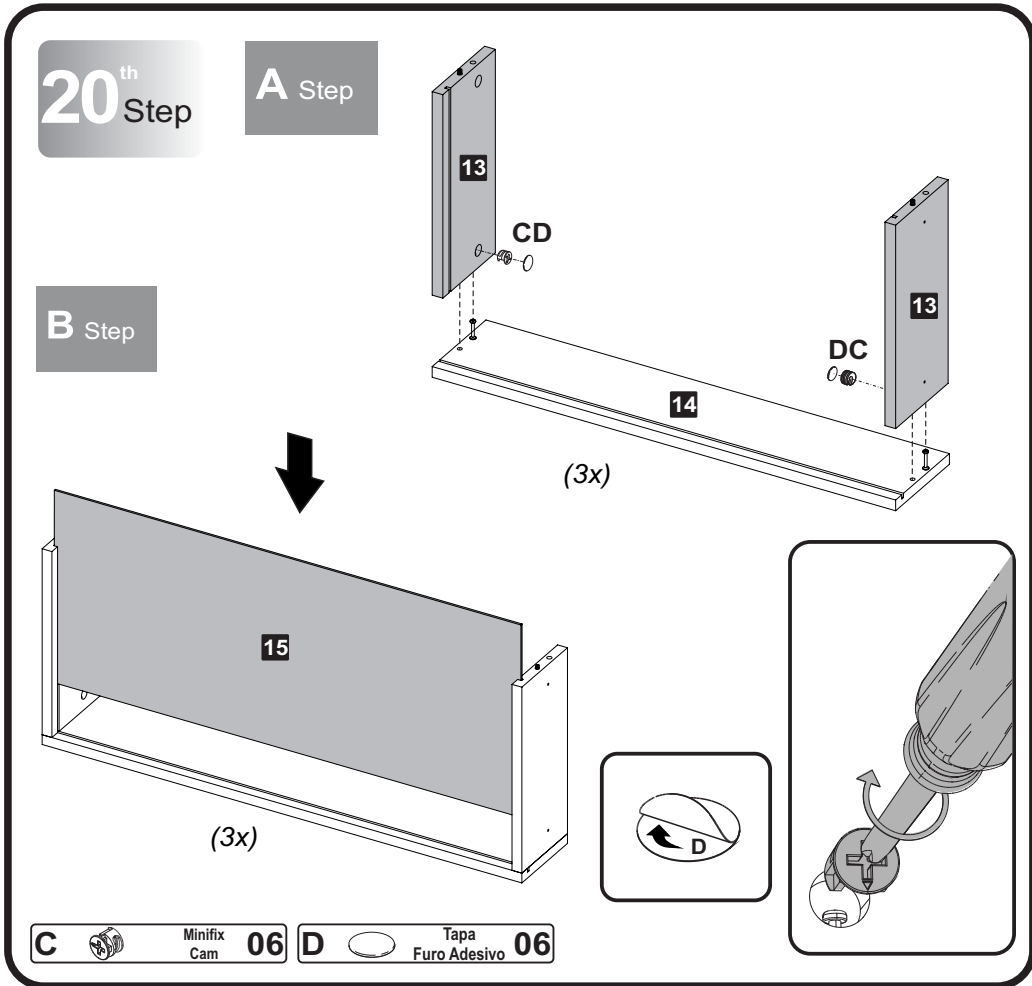
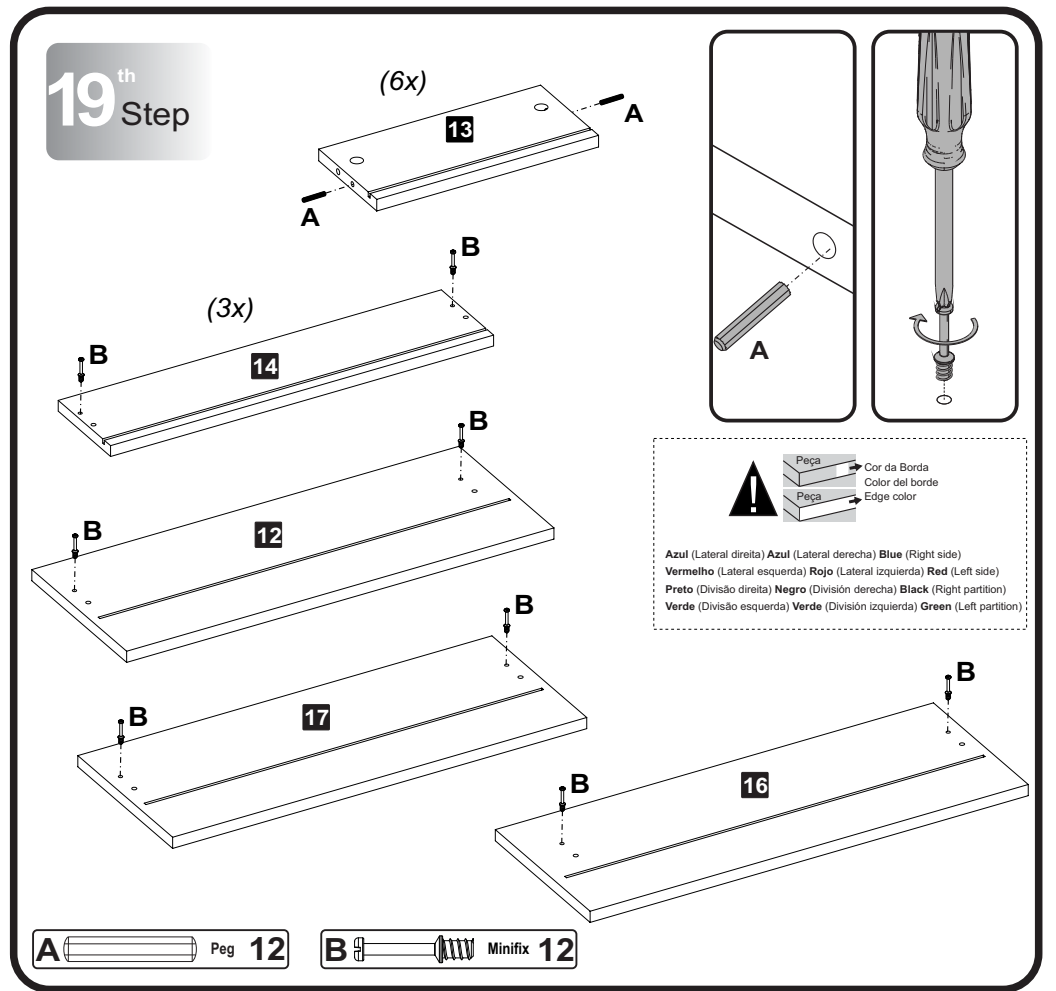
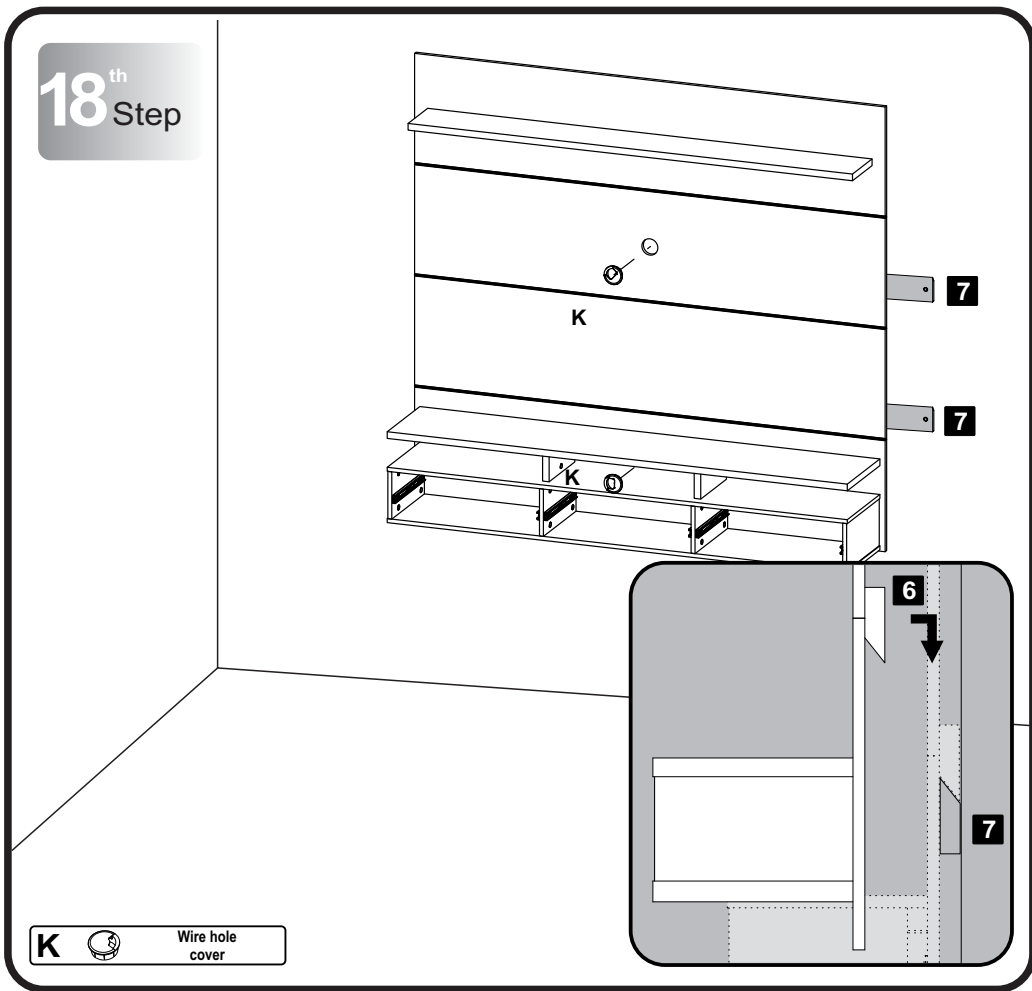
If you want the panel to be 19 5/8" from the floor:

Height of the first hole line = 19 5/8" + 12 7/8" = 32 1/2"

Height of second hole line = 32 1/2" + 32 3/4" = 65 3/8"



I 1/4" x 2 1/2" Screw 08 J Bushing 08



23th Step

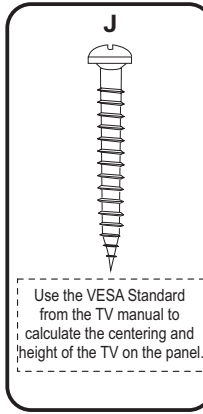
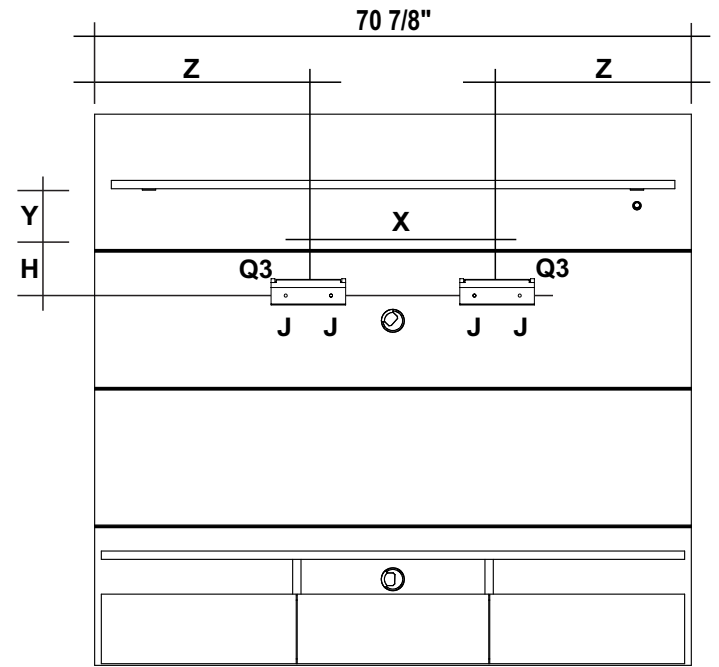
TV Support Kit

| | | | |
|-----------|-----------------------|-----------|----|
| Q1 | Q2 | Q3 | 02 |
| 1 3/8"x3" | 1 7/8"x1 1/8" | 4"x2 1/4" | |
| Q6 | Parafuso M1/4" x 5/8" | | 04 |
| Q7 | Parafuso M3/8" x 5/8" | | 04 |



To make it easier to attach the TV support, we send 2 screw models that match the most commonly used TVs. If neither model fits your TV properly, purchase the compatible screw from any hardware store. To prevent damage to your TV, do not over tighten the screws.

24th Step

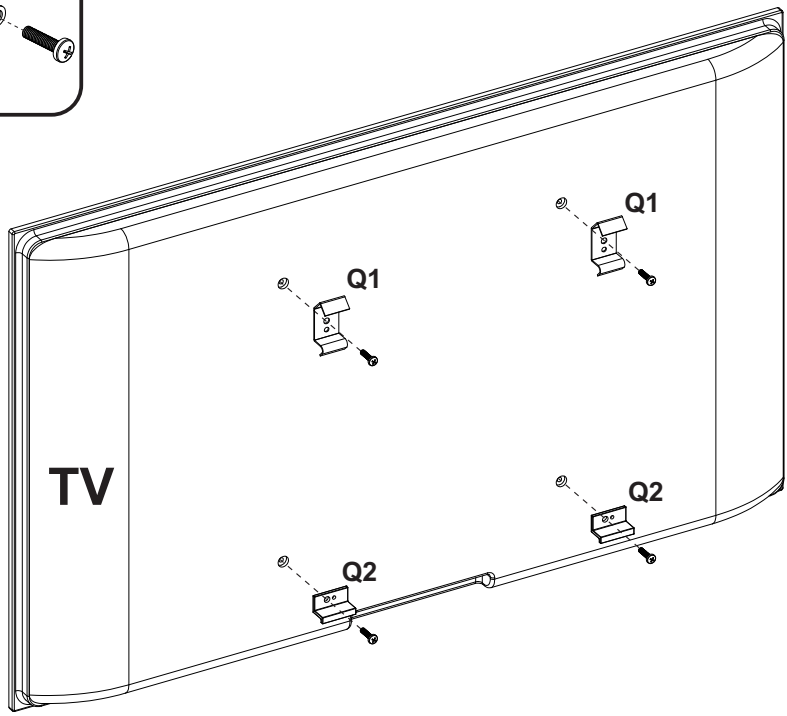
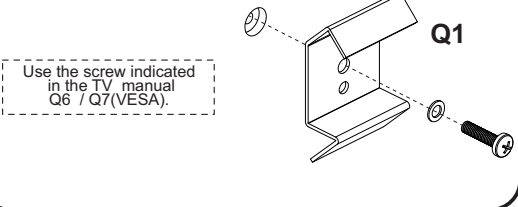


Y = Useful height above the TV.
H = Distance from the TV holes to the TV border.
X = Distance between the TV holes.

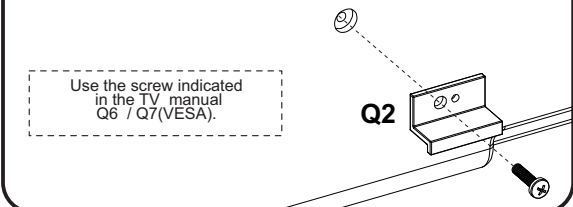
H Ø1/8" x 1 1/8" CP Screw 04 Q3 TV Support Kit 02

25th Step

Upper Support



Lower Support



Q1 TV Support Kit 02
 Q2 TV Support Kit 02

26th Step

