

MODEL : BBT 6780.11 A1 (W1980 x L2070mm) Bed **ASSEMBLY INSTRUCTIONS**

Read this instruction carefully. See hardware and furniture part list for guidance. Be sure all parts are complete, before you assemble. Place all wooden furniture parts on a clean and flat soft surface to prevent from being scratched. Follow the figure to start assembling.

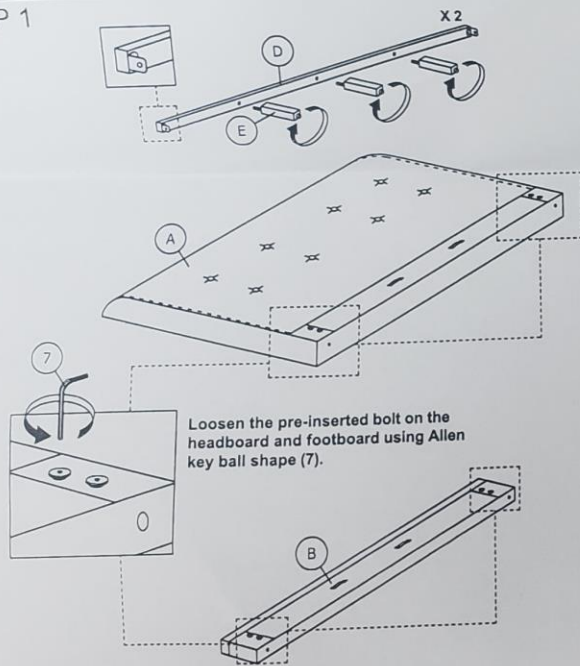
- CAUTIONS :**
1. Do not FULLY - TIGHTEN the nut or nut bolt until all nut or bolt is ready assembled.
  2. Do not OVER - TIGHTEN the nut or bolt to avoid causing damages to the thread.
  3. Keep all hardware parts out of reach of children.

**NOTE :** THE LIST AND QUANTITY SHOWN ARE FOR 1 UNIT ASSEMBLY.  
Tool needed : Screwdriver (not provider).

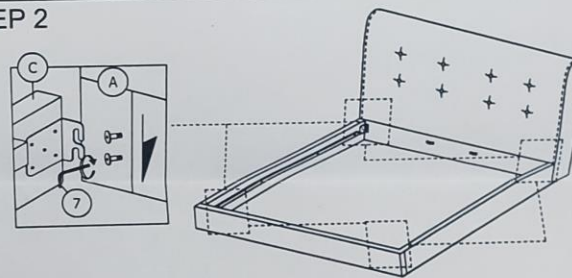
PART LIST		
ITEM	DESCRIPTION	QTY
A	HEADBOARD	1 PC
B	FOOTBOARD	1 PC
C	SIDE RAIL	2 PCS
D	CENTER RAIL	2 PCS
E	CENTER SUPPORT LEG	6 PCS
F	BED LEG	4 PCS
G	BED SLAT	39 PCS
H	CENTER RAIL SUPPORT	3 PCS

HARDWARE LIST		
ITEM	DESCRIPTION	QTY
1	JCBC BOLT M6 x 20mm	8 PCS
2	M6 FLAT WASHER	8 PCS
3	M6 SPRING WASHER	8 PCS
4	WOOD SCREW M4 x 20mm	4 PCS
5	WOOD SCREW M3.5 X 16mm	12 PCS
6	M4 ALLEN KEY (BALL SHAPE)	1 PC
7	M5 ALLEN KEY (BALL SHAPE)	1 PC
8	BED SLAT SIDE FITTER	26PCS
9	BED SLAT CENTER FITTER	26PCS

**STEP 1**

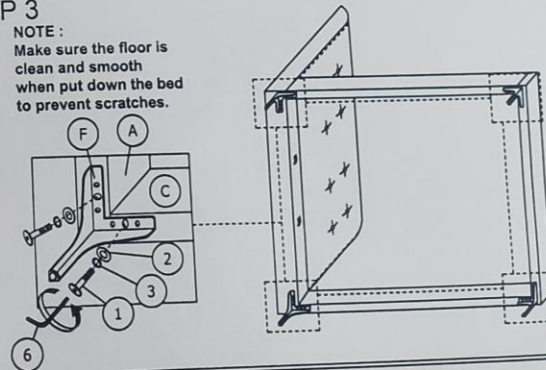


**STEP 2**



**STEP 3**

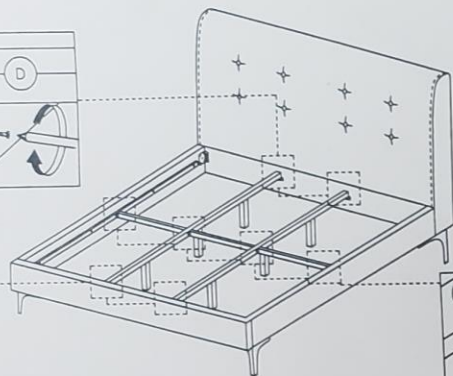
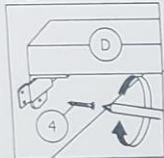
**NOTE :**  
Make sure the floor is clean and smooth when put down the bed to prevent scratches.



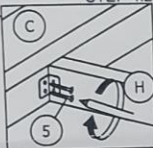
# ASSEMBLY INSTRUCTIONS

## STEP 4

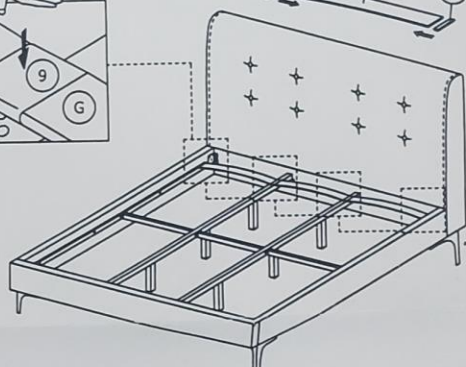
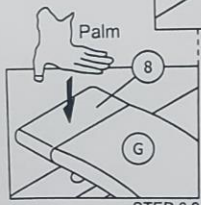
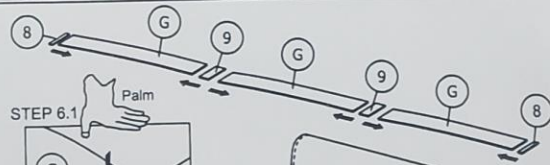
### STEP 4.1



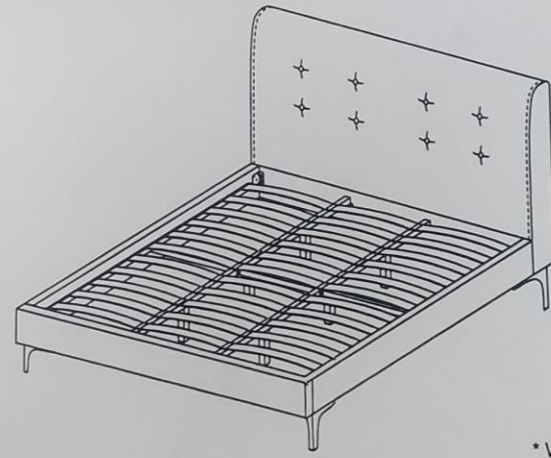
### STEP 4.2



## STEP 5



## STEP 6



\* When moving the bed position, the center support legs must be adjust to be straight to avoid any broken problem.