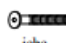



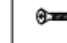





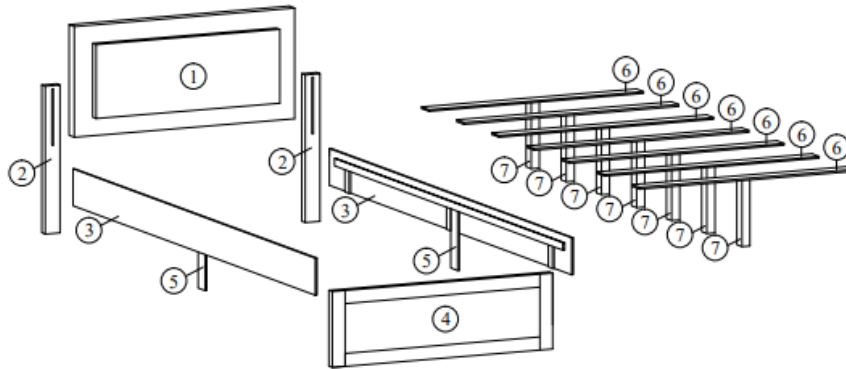


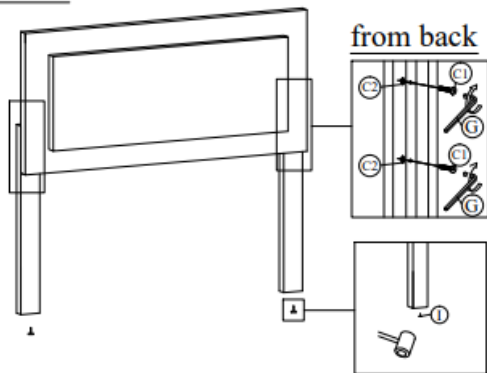
ASSEMBLY INSTRUCTIONS
MODEL NO : B051F (BED)

Before you begin, please follow Assembly Instruction carefully.
 Please follow them step by step.

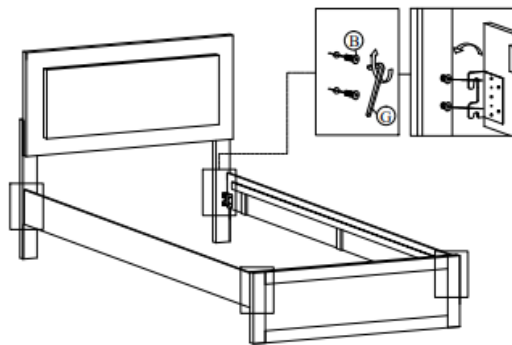
A)	B)	C)	D)	E)	F)	G)	H)	I)	J)	
										
jcbc m6x45mm 7 pcs	jbbb m8x20mm 8 pcs	jbbb m6x30mm 4 sets	m4 x 28mm 6 pcs	m4 x 1 1/4" 14 pcs	(M6) L key 1 pc	(M8) L key 1 pc	adjuster m6 x 23mm 7 pcs	leg stud 6 pcs	adaptor 1 pc	



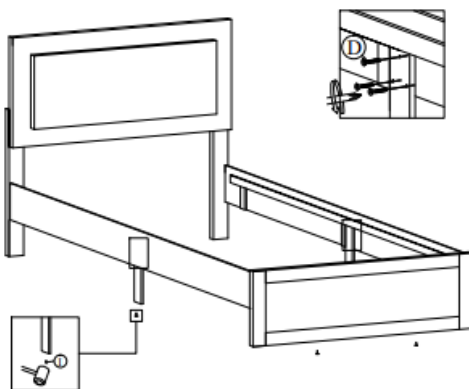
STEP 1



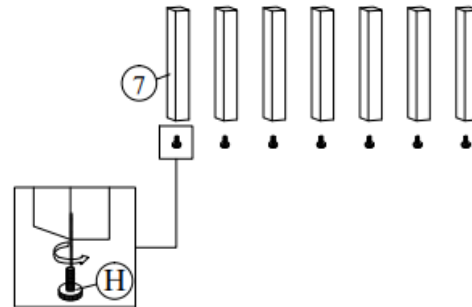
STEP 2



STEP 3



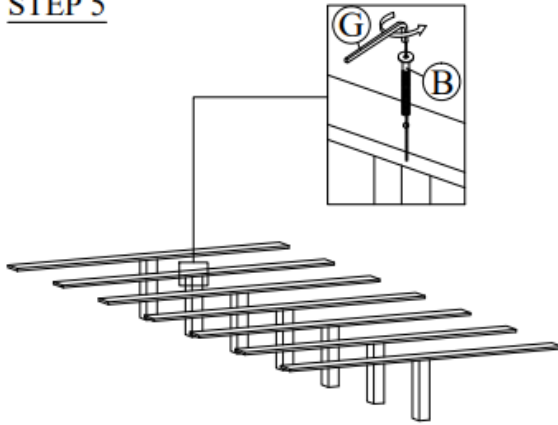
STEP 4



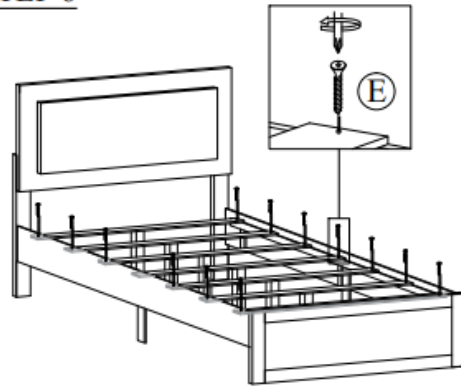
ASSEMBLY INSTRUCTIONS
MODEL NO : B051F (BED)

Before you begin, please follow Assembly Instruction carefully.
Please follow them step by step.

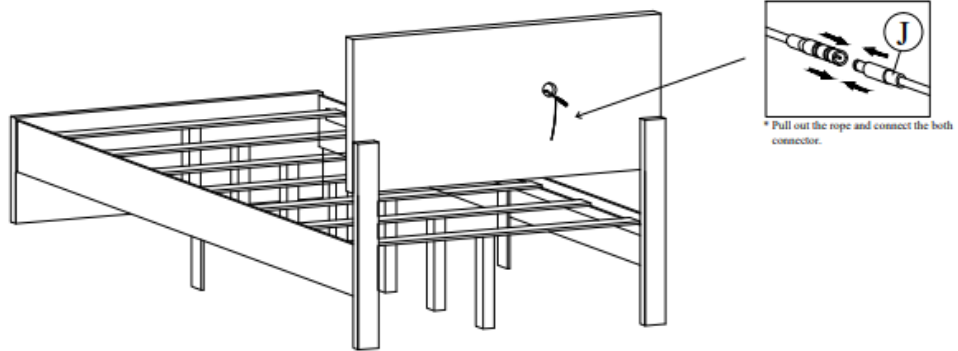
STEP 5



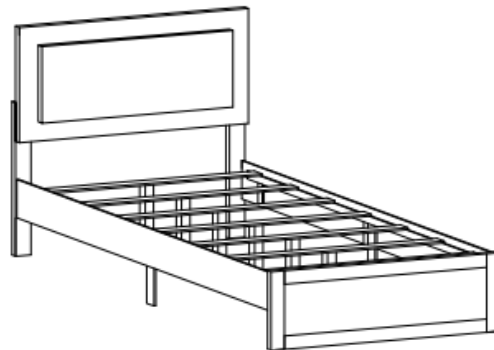
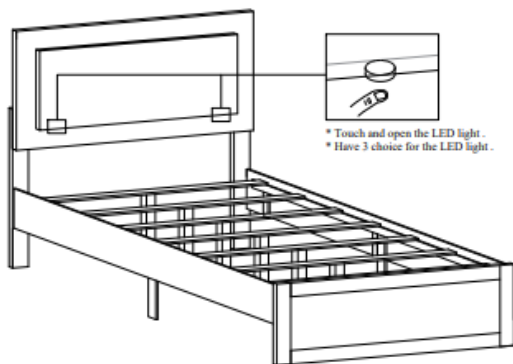
STEP 6



STEP 7



STEP 8



completed