
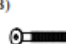




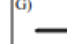
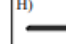
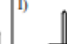
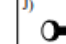
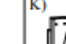
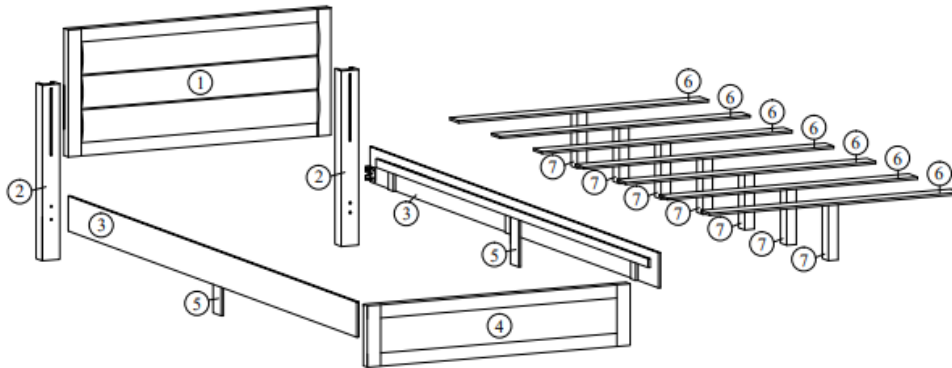


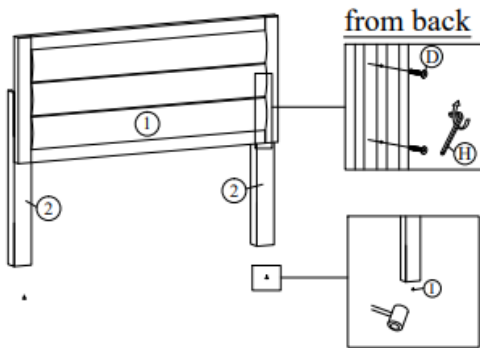
ASSEMBLY INSTRUCTIONS
MODEL NO : B015-F (BED)

Before you begin, please follow Assembly Instruction carefully.
 Please follow them step by step.

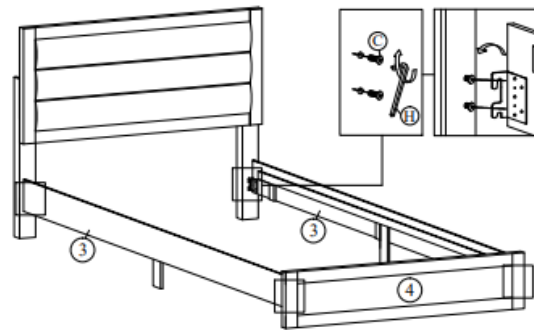
A)  jcbe m6x30mm 4 pcs	B)  jcbe m6x45mm 74 pcs	C)  jcbb m8x20mm 8 pcs	D)  jcbb m8x30mm 4 pcs	E)  m4 x 28mm 6 pcs	F)  m4 x 1 1/4" 14 pcs	G)  L key (M6) 1 pc	H)  L key (M8) 1 pc	I)  leg stud 6 pcs	J)  adjuster m6 x 23mm 7 pcs	K)  Footboard Leg 1 set
---	--	---	---	---	--	--	--	---	---	--



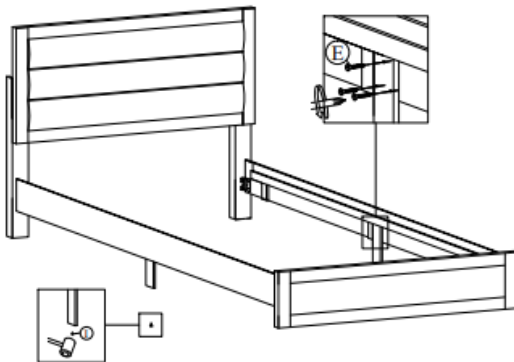
STEP 1



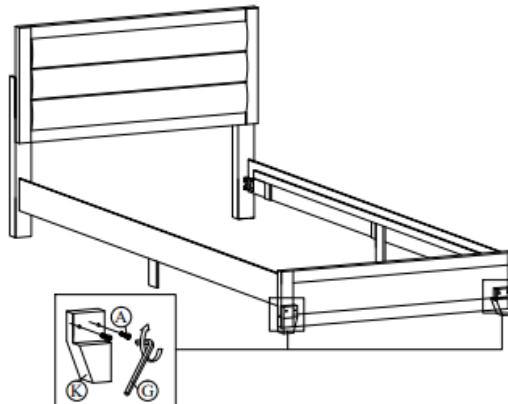
STEP 2



STEP 3



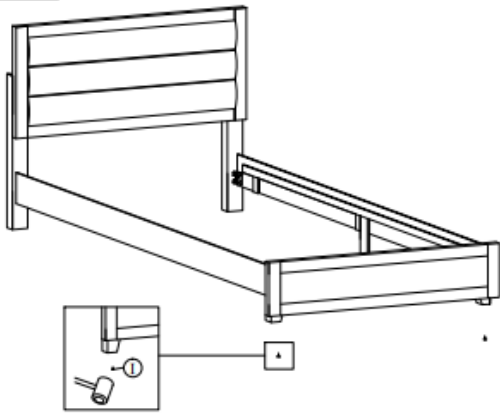
STEP 4



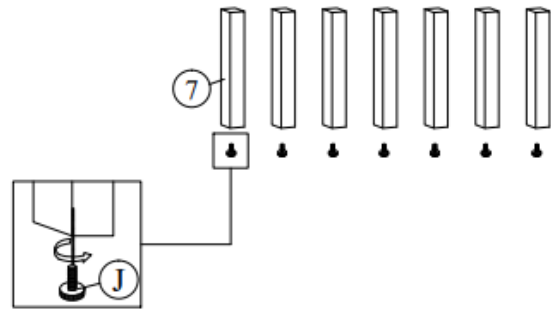
ASSEMBLY INSTRUCTIONS
MODEL NO : B015-F (BED)

Before you begin, please follow Assembly Instruction carefully.
Please follow them step by step.

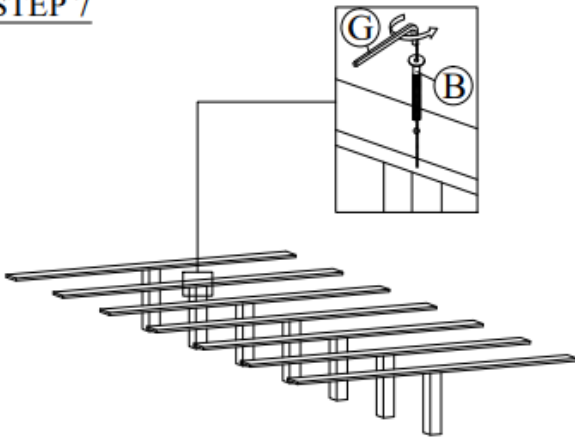
STEP 5



STEP 6



STEP 7



STEP 8

