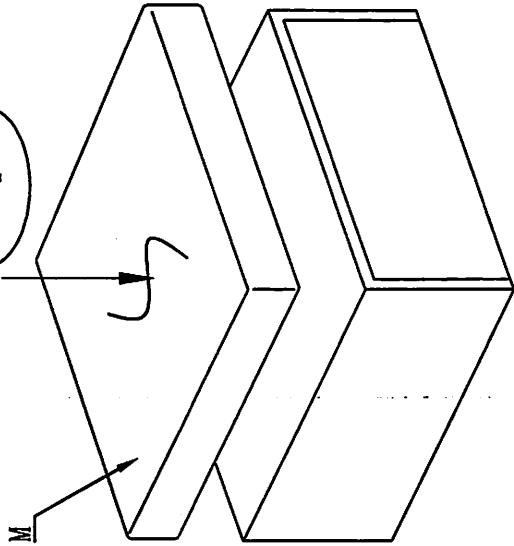
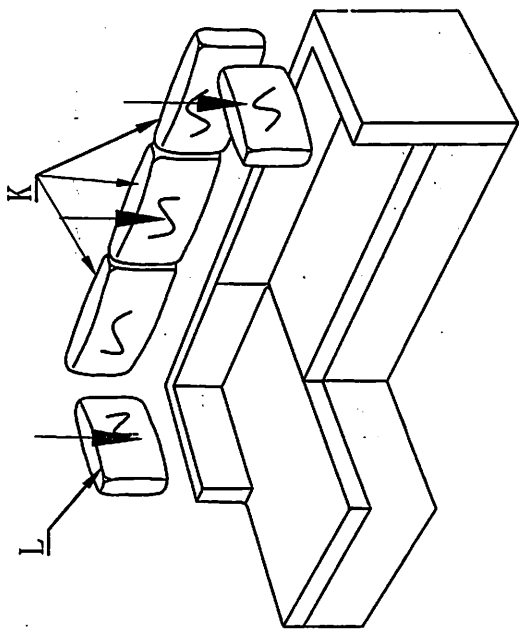


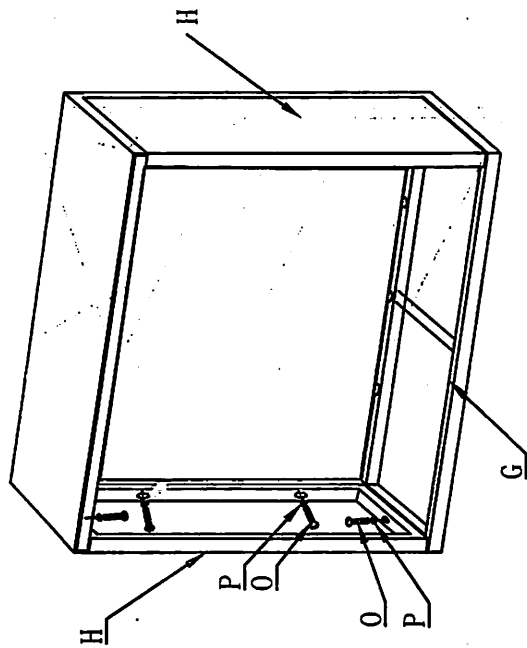
Step8



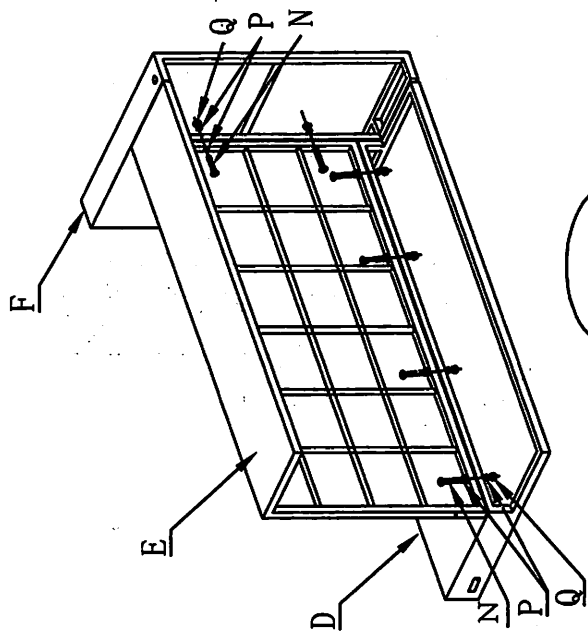
Step10



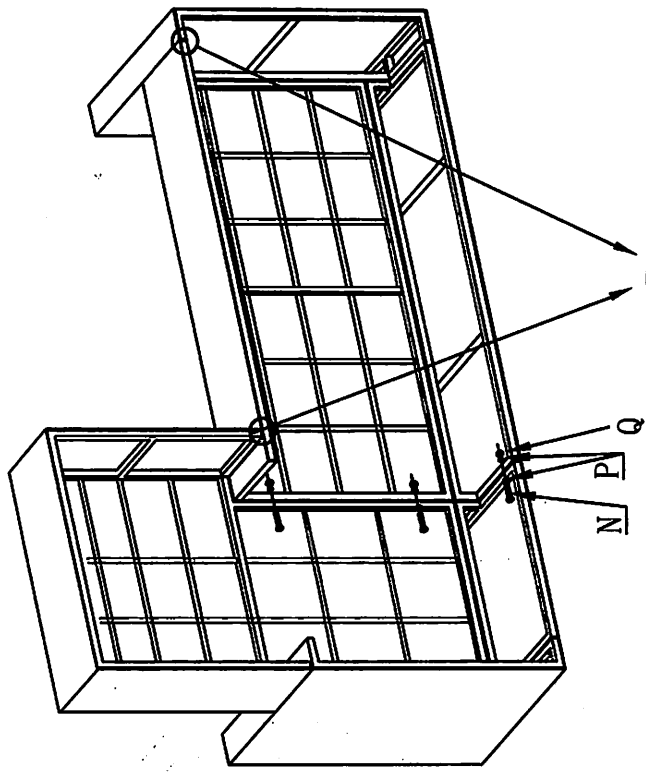
Step7



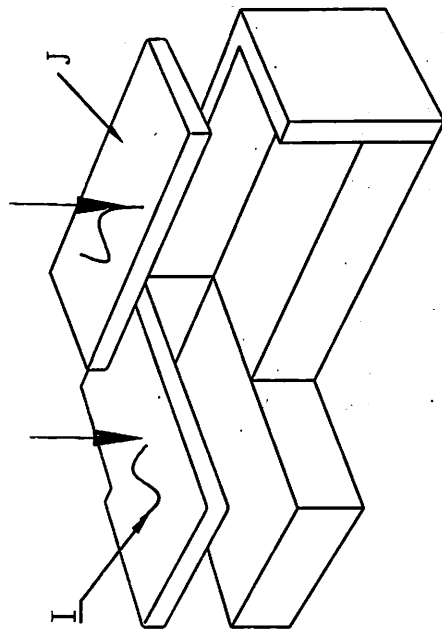
Step9



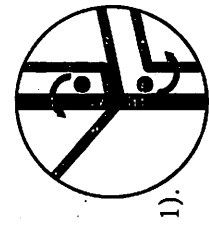
Step4



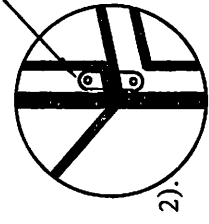
Step5



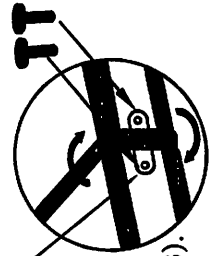
Step6



1).



2).

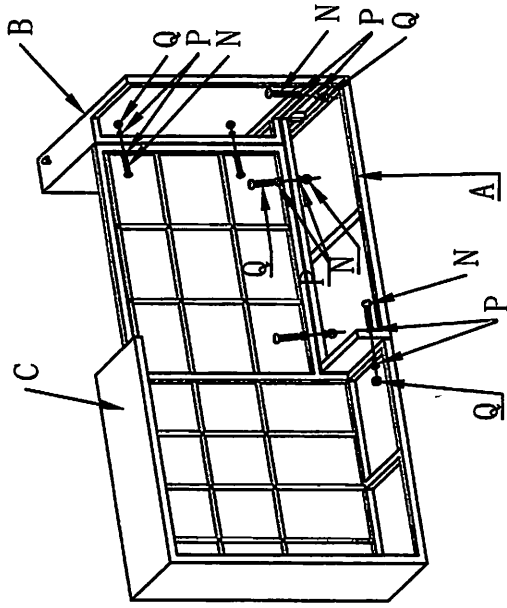


3).

- 1). Knock down the adjustable foot caps.
- 2). Place the steel connection plate.
- 3). Re-install the adjustable foot caps.

# INSTALL INSTRUCTION

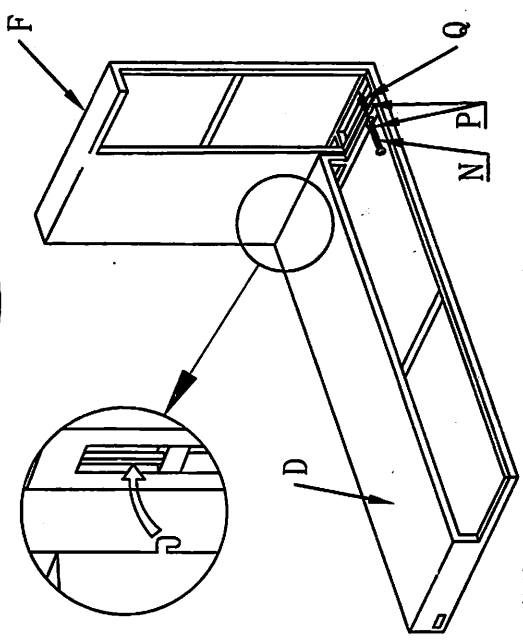
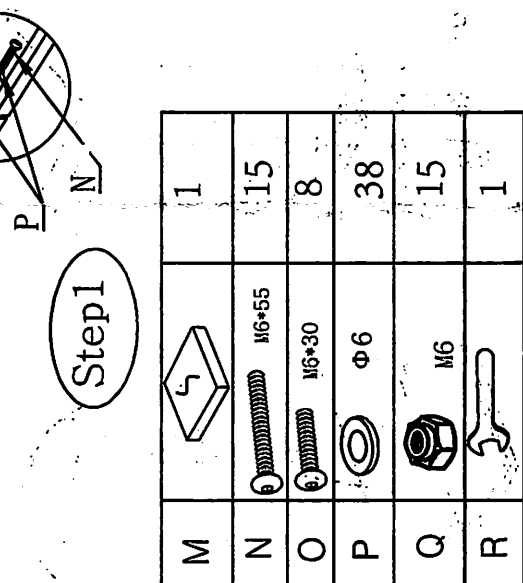
No	PARTS LIST	QTY	PCS
A		1	
B		1	
C		1	
D		1	
E		1	
F		1	
G		1	
H		2	
I		1	
J		1	
K		3	
L		2	



Step1

Step2

Step3



M	N	O	P	Q	R	S	T
1	15	8	38	15	1	1	2