

# WHITELEY

## MEDICAL SUPPLIES

# INSTANT ASSET 100% WRITE OFF



# SALE

TAKE ADVANTAGE  
OF **HUGE TAX  
SAVINGS \$\$\$**

WITH OUR END OF  
FINANCIAL YEAR  
OFFERS

**TAX SAVINGS EXTENDED TO 30 JUNE 2023**

**GIVE YOURSELF A TAX BREAK & GET NEW SMALL BUSINESS ESSENTIALS**  
The write-off threshold of \$20,000 has been extended to 30 June 2023. If you buy an asset and it costs less than \$20,000, you can immediately deduct the business portion in your tax return. Seek independent tax advice for your business and visit <https://www.ato.gov.au/Business/Depreciation-and-capital-expenses-and-allowances/Simpler-depreciation-for-small-business/Instant-asset-write-off/> for more information.



**KINVENT  
PHYSIO**

*The new V3 range &  
Kinvent Physio App  
have been redesigned  
with the modern  
clinic in mind!*



PHYSIO-APP

**NEW MODEL!**



**@allcare**

**NEW  
TABLES!**



Phone: 1300 303 755

**Check out the range @ [wmedical.com.au](http://wmedical.com.au)**



We have an exciting range of treatment tables to offer you - same great quality you can expect from AllCare - but at our amazing clinic saver price...

**GET A FREE ALLCARE STOOL**  
 WITH ANY TABLE PURCHASED IN JUNE 2023  
**VALUED AT \$125 EACH**  
 CODE: STOOLN/STOOLG



**FREE STOOL!**



**\$1,095.00**

**AllCare 2 Section Treatment Table**

- » Motor: 1 x Linak Brand Motor (Lifting) (European Brand)
- » Electric: 1 x Linak Control Box (European)
- » Foot Switch: 1 x Linak Foot Switch
- » Gaslift: 1 x Gaslift (Headrest)
- » Sections: 2 x Sections
- » Castors: 4 x Retractable Castor System
- » Face Hole: Yes

**Table Specifications:**

Table Size:	1950mm (L) x 690mm (W)
Lifting Range:	460mm - 900mm
Weight:	76.5kg
Back Rest Up/Down Angle:	0° - 65°
Maximum Load:	200kg
Warranty:	2 Years Warranty (Frame & Electric Components)



**\$950.00**

**AllCare X-Frame Massage Table**

- » Motor: 1 x Runda Brand Motor (Lifting)
- » Electric: Hi/Low
- » Hand Control Switch: 1 x Hand Switch
- » Gaslift: 1 x Gaslift (Backrest)
- » Sections: 2 x Sections
- » Face Crest

**Table Specifications:**

Table Size:	1760mm (L) x 700mm (W)
Lifting Range:	600mm - 860mm
Back Rest Up/Down Angle:	0° to 60°
Maximum Load:	200kg
Warranty:	2 Years Warranty (Frame & Electric Components)



**\$1,045.00**

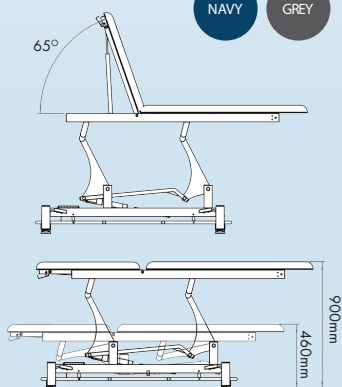
**AllCare Short Head 2 Section Massage Table**

- » Motor: 1 x Linak Brand Motor (Lifting) (European Brand)
- » Electric: Hi/Low
- » Foot Switch: 1 x Linak Foot Control Switch
- » Gaslift: 1 x Gaslift (Headrest)
- » Sections: 2 x Sections
- » Face Hole: Yes

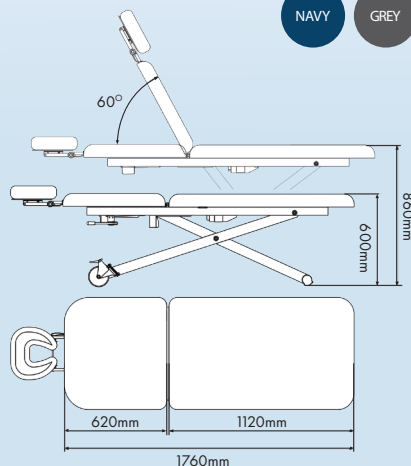
**Table Specifications:**

Table Size:	1985mm (L) x 680mm (W)
Lifting Range:	460mm - 900mm
Weight:	67.5kg
Back Rest Up/Down Angle:	-40° to 30°
Maximum Load:	200kg
Warranty:	2 Years Warranty (Frame & Electric Components)

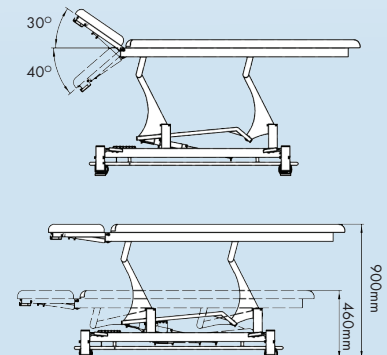
AC2SECT Colours Available: NAVY GREY



ACMASSN Colours Available: NAVY GREY



ACMASS2SEC Colours Available: NAVY GREY





# OUR NEW TREATMENT TABLES...



**NEW TABLE!**

**100% TAX DEDUCTION**

**\$1,595.00**

## AllCare 3 Section Motor Treatment Table

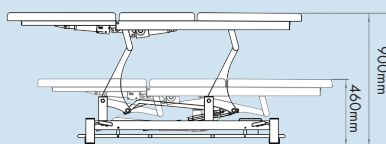
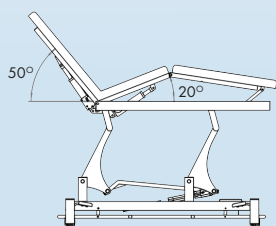
- » Motors: 3 x Linak Brand Motor (Lifting) (European Brand)
- » Electric: 1 x Linak Control Box (European Brand)
- » Foot Switch: 1 x Linak Foot Switch (European Brand)
- » Sections: 3 x Sections (Backrest, Seatrest and Footrest)
- » Castors: 4 x Retractable Castor System
- » Face Hole: Yes

### Table Specifications:

Table Size:	1990mm (L) x 635mm (W)
Lifting Range:	460mm – 900mm
Weight:	90kg
Back Rest Up/Down Angle:	0° – 50°
Mid Section Up/Down Angle:	0° – 20°
Maximum Load:	200kg
Warranty:	2 Years Warranty (Frame & Electric Components)

AC3SECT

Colours Available:



**100% TAX DEDUCTION**

**\$1,395.00**

## AllCare Tempo Short Head 3 Section Table

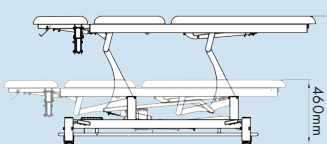
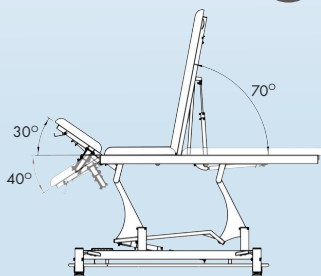
- » Motor: 1 x Linak Brand Motor (Lifting)(European Brand)
- » Electric: 1 x Linak Control Box (European Brand)
- » Foot Switch: 1 x Linak Foot Switch (European Brand)
- » Gaslift: 3 x Gaslifts (Headrest x 2 & Footrest x 1)
- » Sections: 3 x Sections (Back, Seat & Footrest)
- » Castors: 4 x Retractable Castor System
- » Face Hole: Yes

### Table Specifications:

Table Size:	1980mm (L) x 680mm (W)
Lifting Range:	460mm – 900mm
Weight:	89.7kg
Back Rest Up/Down Angle:	-40° to 30°
Seatrest (Waist) Up/Down Angle:	0° – 70°
Maximum Load:	200kg
Warranty:	2 Years Warranty (Frame & Electric Components)

ACSH3SEC

Colours Available:



**100% TAX DEDUCTION**

**\$1,595.00**

## AllCare 5 Section Table

AVAILABLE IN DARK GREY OR NAVY

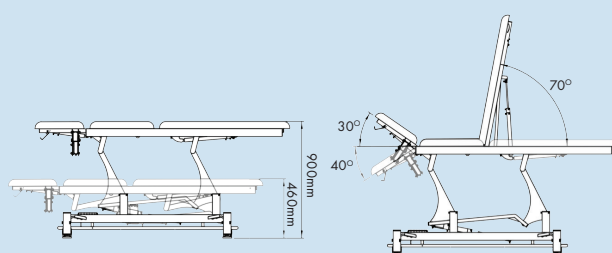
- » Motor: 1 x Linak Brand Motor (Lifting) (European Brand)
- » Electric: 1 x Linak Control Box (European Brand)
- » Foot Switch: 1 x Linak Foot Switch (European Brand)??
- » Gaslift: 3 x Gaslifts (Headrest x 1, Footrest x 1, Armrest x 1 (linked mechanism))
- » Sections: 3 x Sections (Back, Seat & Footrest)
- » Castors: 4 x Retractable Castor System
- » Face Hole: Yes

### Table Specifications:

Table Size:	1980mm (L) x 680mm (W)
Headrest Size:	390mm (L) x 680mm (W)
Seatrest Size:	510mm (L) x 680mm (W)
Footrest Size:	1050mm (L) x 680mm (W)
Lifting Range:	460mm – 900mm
Weight:	89.7kg
Back Rest Up/Down Angle:	-40° to 30°
Seatrest (Waist) Up/Down Angle:	Up/Down Fixed
Footrest Up/Down Angle:	0° – 70°
Drop Down Depth:	180mm
Maximum Load:	200kg
Warranty:	2 Years Warranty (Frame & Electric Components)

AC5SECT

Colours Available:



INSTANT ASSET  
100% WRITE OFF

SALE

GET A TAX BREAK ○



\$1,570.00 @allcare

### AllCare Preston 3 Section Treatment Table

The AllCare Preston 3 Section is our best selling treatment table. Featuring added facility of dual gas struts to operate each end of the table, allowing for added versatility for the clinician. AVAILABLE in Black and Blue.

Q ACPRESTON

Colours Available:



\$2,095.00 @allcare

### AllCare Manor with Surround Bar 3 Section Table

The most popular manipulation table based on proven stability and reliability in high volume environments. With the added facility of a gas strut operated foot section control that allows for greater versatility for the clinician.

Q ACMANORSURBU

Colours Available:



WHITELEY  
MEDICAL SUPPLIES



\$1,675.00 @allcare

### AllCare Preston Storm 3 Section Treatment Table

Variable height 3 section table featuring a dark frame for a modern look.

Colour:



Q ACPRESTONSTORM



\$6,825.00 @allcare

### AllCare Lawson Variable Height Traction Table

Designed to offer the therapist multiple choices of traction therapy. The four piece top offers friction free movement for precise lumbar traction therapy. Cervical traction can be achieved in both lying and sitting positions.

#### COMPLETE TRACTION PACKAGING

##### Inclusions are:

- » AllCare Lawson Variable Height Electric Traction Couch
- » Ever-Trac Traction Unit
- » Traction Belt Set: Thoracic and Lumbar
- » AllCare Traction Bolsters (pair)
- » Evertrac Clinic
- » Maximum User Weight: 225kg

Colour:



Q ACLAWSONPKG

Price quoted excludes GST & delivery fees. Prices subject to change without notice. June 2023.



# IN OUR TABLES AND KINVENT...



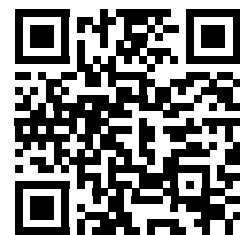
## The Physiotherapist's Solution for Measurable Progress

The new V3 range & Kinvent Physio App have been redesigned with the modern clinic in mind!

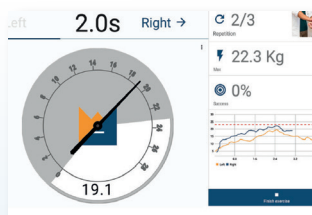


7 Sensors connected to 1 revolutionary App to engage your patients and enrich your practice.

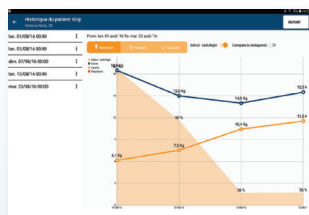
- ✓ Create full patient files
- ✓ Personalised reports
- ✓ Standard premium evaluations
- ✓ Rehabilitation assistance
- ✓ Film your patient's movements with K-Apture
- ✓ Allow patient access with MyKinvent
- ✓ Centralise your data with Kinvent Connect



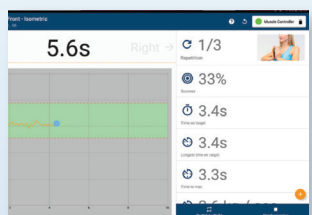
Scan This QR Code to see the Kinvent live brochure...



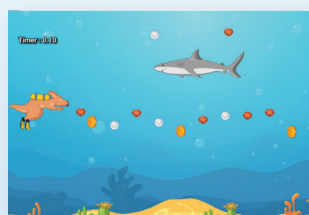
**Objective Data**  
Move your assessments from subjective to objective with analytical evaluations.



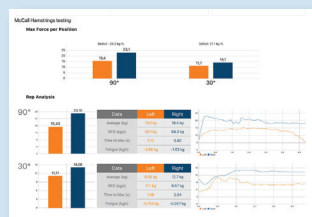
**Track Patient Progress**  
Highlight your patient's development over time.



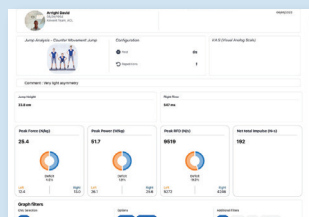
**Controlled Autonomy for Patients**  
Create custom-made rehabilitation programs with biofeedback.



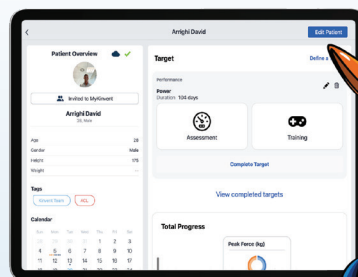
**Increase Patient Motivation**  
Put the fun back into rehabilitation with games.



**Highlight Results**  
With MyKinvent, share your expertise with prescribing doctors and patients.

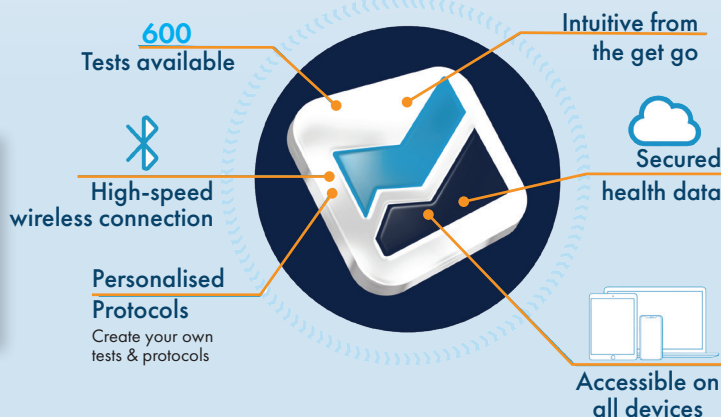


**Save Time**  
Generate reports in a single click.



## PHYSIO-APP

THE APP THAT HIGHLIGHTS YOUR EXPERTISE EVERY DAY



**INSTANT ASSET  
100% WRITE OFF**

**SALE**

**GET A TAX BREAK**

**THE NEW & IMPROVED KINVENT R**



A handy muscle dynamometer equipped with electronic force transducers giving real-time acoustic and optic biofeedback on your smartphone or tablet through the KFORCE APP.

**KINDMC**



A pull dynamometer you can secure anywhere. It is the ideal tool to assess powerful muscular groups and record in real time your patient's results for specific tests.

**KINDLINK**



A connected sensor to assess range of motion. With its built-in inertial sensor, it is a perfect tool for monitoring the rehabilitation of a joint's functional capacities.

**KINDSENS**



K-Force Plates are the perfect solution for measuring static and dynamic balance in a wide range of movements like a stance, squats and counter movement jumping.

**KINDPLATES**



An innovative pressure dynamometer that objectively measures a patient's ability to exert pressure with any body part, as it transforms pressure variations in force measurements.

**KINDBUBBLE**



**K-Push | K-Force Plates | K-Move | Twin Handle**

**\$5,500.00**

**Kinvent Essentials Pack**

The smartest & easiest solution to move you practice from subjective to objective. The smart toolkit includes the most versatile devices of the Kinvent product line to help you include data in your patient's rehabilitation journey. This pack includes a one-year subscription to the STARTER LICENSE.

**KINKITISS**



**K-Push | K-Force Plates | K-Grip | K-Move  
K-Bubble | K-Pull | Twin Handle**

**\$8,900.00**

**Kinvent Rehab Kit**

Includes everything you need to help increase patient motivation and ensure long term patient engagement. The complete range of Kinvent devices is at your service in a single pack. This pack also includes a one year subscription to the PREMIUM LICENSE.

**KINKITREHAB**

**WHITELEY  
MEDICAL SUPPLIES**

Price quoted excludes GST & delivery fees. Prices subject to change without notice. June 2023.



# IN THE NEW KINVENT MODELS...

RANGE...



A connected dynamometer to measure grip strength. K-Grip was designed to assess and train grip strength. It is an essential tool to track grip strength and everything it entails.

🔍 KINDGRIP



K-Deltas are force plates for advanced biomechanical analysis. They are designed for sports performance. They are the perfect tool to manage athlete's return to sport or to help them increase performance.

🔍 KINDELDTAS



**K-Push x 2 | K-Force Plates | K-Grip | K-Move | K-Bubble  
K-Pull | Twin Handle | Nordic Accessories x 2  
Jump Frame | Sac de transport**

**\$11,500.00**

## Kinvent Physio Sports Kit

The ultimate solution to assess progress. The Physio Sports Pack includes the entire range of Kinvent devices in a single pack to offer you a complete toolkit to efficiently measure and build progress. This pack includes a one year subscription to the EXCELLENCE LICENSE.

🔍 KINKITPHYSIO



## KINVENT PHYSIO

The new V3 range & Kinvent Physio App have been redesigned with the modern clinic in mind with the connectivity and load capacity greatly improved. The new Physio App offers testing solutions specifically designed to offer comprehensive testing in a fraction of the time...

### KINVENT ACCESSORIES:



**\$295.00**  
**Kinvent Jump  
Frame**

The Jump Frame is an accessory for the KFORCE Plates, it helps stabilise the platforms.

🔍 KINAJUMPF



**\$115.00**  
**Kinvent Nordic  
Accessory**

An accessory for the KFORCE Muscle Controller, it replaces the classic grip and allows the dynamometer to be fixed to a barbell for support on a stable plane.

🔍 KINANORDIC

## LICENCES

		STARTER	PREMIUM	EXCELLENCE
USERS	Nbr of devices	3	6	20
	Nbr of profiles	3	6	20
	MyKINVENT	•	•	•
TESTS	Basic assessments	•	•	•
	Questionnaires	•	•	•
	Basic protocols	•	•	•
	Personalized activities	•	•	•
	Personalized protocols	•	•	•
	Premium protocols	•	•	•
	K-Deltas + K-Move activities	•	•	•
	Deltas interface	•	•	•
	Manage several patients	•	•	•
Excellence protocols	•	•	•	
K-capture (Motion Capture)	•	•	•	
TRAININGS	Biofeedback	•	•	•
	Games	•	•	•
	Rehabilitation guide	•	•	•
REPORTS	Reports on the Physio App	•	•	•
	PDF Reports	•	•	•
	Advanced PDF reports	•	•	•
	Personalized signature	•	•	•
	PDF export for multiple patients	•	•	•
	KINVENT Connect	•	•	•
CSV export	•	•	•	

**\$450** **\$750** **\$1,500**  
STARTER PREMIUM EXCELLENCE



**Nu-Tek®**



**\$1,650.00**

**Nu-Tek Laser Therapy Unit**

**Features:**

- » Class 3b low level laser therapy
- » Laser Power: 200 - 1040mW
- » Independent control over all parameters
- » Continuous and pulsed operation available
- » Fully variable pulsed frequencies
- » Helpful menu of clinical indications specific to the laser applicator
- » Real time feedback of energy delivered
- » Display of energy in choice of joules or joules/cm2
- » 100 customized user programs

**Select your probes:**

- a) Single Diode Probe \$1,150 (NULASPROBEDIO)
  - b) Cluster Probe \$3,350 (NULASPROBECLU)
- Nu-Tek Trolley \$895 (NUTROLLEY)

\* Probe sold separately.

🔍 NULASER



**Nu-Tek®**

**\$2,400.00**

**Nu-Tek Combination Unit**

Combination of ultrasound therapy and two channel electrotherapy. This unique device allows for easy customization, & support different waveforms. It also contains abundant clinic programs, which contributes to the quick and effective treatment. ComboRehab2 can be expanded with the vacuum module, battery module and it is portable & delicate thanks to the innovative design.

🔍 NUCOMBO



**\$1,395.00**



**Nu-Tek Dual Frequency Ultrasound Unit**

- » 1 & 3MHz ultrasound frequency
- » Pulsed and continuous modes
- » Variable duty cycles (16Hz, 48Hz and 100Hz)
- » Contact control with both visual and audio feedback
- » 20 preset programs & 80 custom programs provided
- » Ergonomically designed sound heads.
- » Unit includes a 5cm2 transducer. 1cm2 head is sold separately.

🔍 NUULTRASOUND



**\$3,250.00**



**Nu-Tek Combination Unit with Vacuum  
Combination Electrotherapy, Ultrasound & Vacuum**

- » 4 pole vacuum connections supported
- » Touch screen for simple operation
- » Two channel simultaneous monitoring
- » Multi frequency ultrasound (1/3 MHz, each probe) & eight stimulation modes such as 4-pole IF, 2-pole IF (Premod), EMS, Russian, BipHasic (TENS), Hi-Volt, Microcurrent (MCR) and DC
- » Independent electrotherapy (ES) and ultrasound (US) channel, independent US while using ES, & a combination of US & ES supported
- » 62 pre-set programs and 80 custom programs

🔍 NUCOMBOVAC



## MINDRAY DP-50 Expert Ultrasound Machine

# mindray

THE WITH THE DP-50,  
EXCEPTIONAL IMAGE "QUALITY  
MEETS EXPERT DESIGN.

The Mindray ultrasound system weighs 8.1 kilograms and is perfectly equipped for mobile tasks. It's ready to go in 38 seconds. Its strong lithium-ion battery guarantees a fast and reliable operating time.

### Details:

- » Compact and lightweight
- » Back-lit control panel
- » 15" full-screen LCD with tilt
- » 1TB integrated hard disk
- » USB ports
- » DICOM 3.0 connectivity
- » High sensitivity, wideband transducers
- » Multi-frequency, up to four imaging frequencies in each transducer
- » Up to 140-degree scanning angle
- » General purpose and specialty transducers

## \$8,950.00

**NEW MODEL!**

**"SMART BLADDER –  
Automatically traces the  
bladder wall for fast, accurate  
bladder measurements.  
No more guessing!"**



🔍 MINDP50EX



## \$6,995.00

### Mindray DP-30

**Digital Ultrasonic  
Diagnostic Imaging System**

Breaking down the barrier between B/W and Doppler ultrasound diagnostic systems, DP-30 Power edition is an advanced system equipped with Power Doppler & PW Doppler, providing you more possibilities in various clinical applications.

🔍 MINDP30POW



## \$5,490.00

### Mindray DP-20

**Power Diagnostic Ultrasound**

Good image quality and compact ergonomic design with full screen make the new DP-20 Power edition your ideal choice of B/W ultrasound. Optional built-in battery and mobile trolley provides you a limitless ultrasound solution.

🔍 MINDP20POW

\* Does not come standard with battery



## \$975.00

### Mindray UMT-170 Expert Trolley (DP20/30/50)

Compatible with DP-50 Expert and DP-10/20/30.

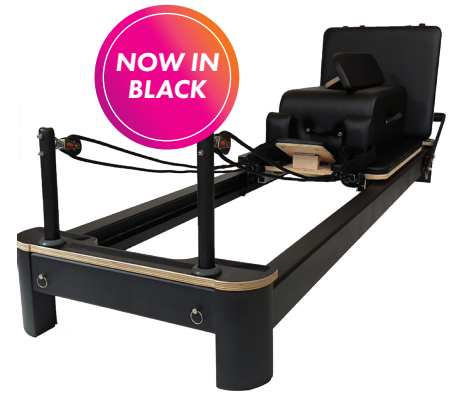
🔍 MINTROLLEYEXP

INSTANT ASSET  
100% WRITE OFF

**SALE**

GET A TAX BREAK ○

# NEW RANGE ESSENCE BY 66fit™



**\$3,590.00** 66fit  
**66fit Essence Studio Reformer**

Introducing the all new Essence Range of Pilates Equipment by 66fit. Designed and built to perform in high-frequency clinical settings, the range features a beautiful white colour palette to look amazing in your Pilates studio.

🔍 66ESSREFWH or 66ESSREFBK

**\$3,550.00** 66fit

**66fit Essence Reformer Aluminum**

A sleek & economical reformer. 40cm height. Free box

🔍 66ESSREFAL



**\$1,600.00** 66fit

**66fit Essence Ladder Barrel**

🔍 66ESSLAD



**\$3,950.00** 66fit

**66fit Essence Reformer Wood with Half Trap**

🔍 66ESSREFHTW

**WHITELEY**  
MEDICAL SUPPLIES

Price quoted excludes GST & delivery fees. Prices subject to change without notice. June 2023.



# IN OUR PILATES EQUIPMENT...



INCLUDES FREE JUMP BOARD & REFORMER BOX



\$4,450.00 

## AllCare Wooden Reformer

A favourite among health and fitness professionals - the Wooden Reformer is an incredibly adaptable and durable piece of equipment. It has exceptional versatility to accommodate a range of body heights, sizes and abilities. It features superior construction for maximum safety and durability and a whisper-smooth patented rolling mechanism to ensure precise and safe operation.

ACPIREFW

\$4,850.00 

## AllCare Aluminium Reformer with Trapeze

The most versatile Reformer with the possibility of an infinite number of exercises with the highest precision and safety. Anodized aluminium reinforced structure. The trapeze tower offers the functionality of a full trapeze table and retrofits on a reformer to increase your programming options.

ACPILRHTA



66fit



\$1,950.00

## 66fit Essence Folding Reformer – Home Edition

66ESSREFFOLD



INCLUDES FREE JUMP BOARD & REFORMER BOX

\$4,250.00 

## AllCare Aluminium Reformer

The Aluminium Reformer is a very versatile and professional reformer. It is an incredibly adaptable and piece of equipment made for maximum safety and durability. Fixed foot bar, adjustable in 5 different angles.

ACPILRFA







\$4,850.00

## AllCare Wooden Reformer with Trapeze

ACPILRHTW

# WHITELEY MEDICAL SUPPLIES

[www.wmedical.com.au](http://www.wmedical.com.au)



- ✓ New Intelligent product search feature makes finding the product you need quick & easy
- ✓ Designed for desktop, tablet and phone
- ✓ Widescreen presentation
- ✓ Review product information, check stock availability and alternative product suggestion
- ✓ Review your account, print invoices & statements, and pay your account

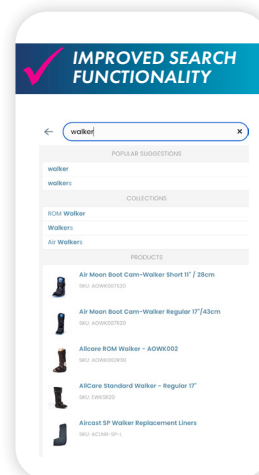
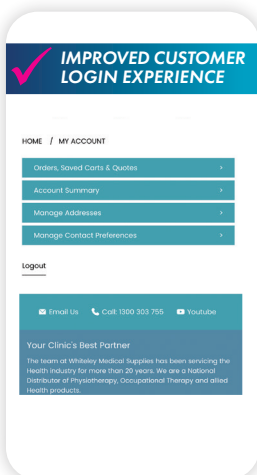
# Our New & Improved Website is here...

ORDER  
ONLINE  
TODAY!



Upgraded  
Mobile Experience

“With our new website, we now have a second to none web experience.”



## How To Contact Us

W: [www.wmedical.com.au](http://www.wmedical.com.au)

E: [sales@wmedical.com.au](mailto:sales@wmedical.com.au)

P: 1300 303 755 F: 1300 303 788

1300 303 755  
[wmedical.com.au](http://wmedical.com.au)