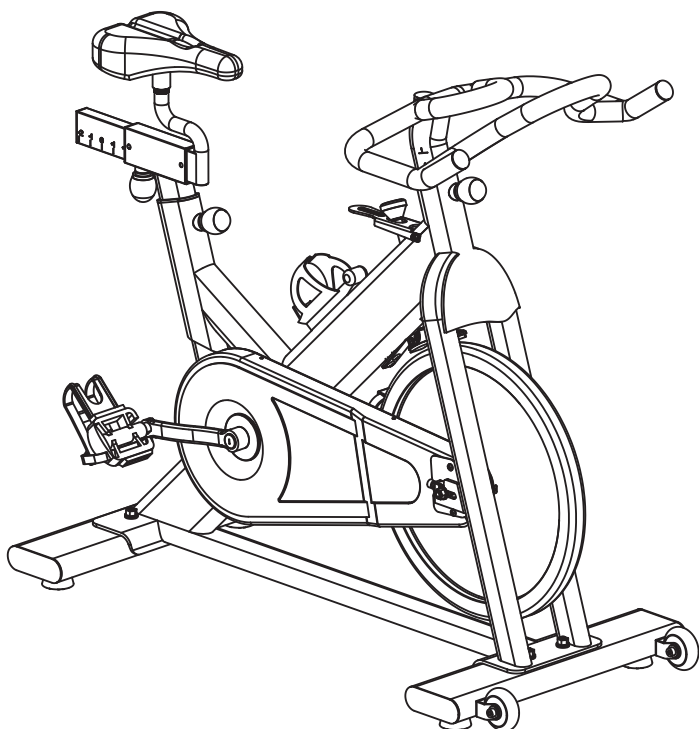




# ***INDOOR CYCLE***

**Model No. A117BB**



**OWNER'S MANUAL**



# Warranty Registration Form

Congratulations on purchasing your product, we at GPI believe that our product range is of the highest quality and represents great value for money.

We back our product range up with our industry leading warranty.

Please see below for the step by step instructions on how to register your product warranty online.



---

## Step 1 Visit our Website

Go to the GPI Sports website: [www.gpisports.com.au/warranty](http://www.gpisports.com.au/warranty)



---

## Step 2 Enter Purchase Information

Enter all purchase information including the serial number and proof of purchase which can be uploaded from this page



---

## Step 3 Call Our Toll Free Number

If a warranty service request is required on your product please call the toll free number - **1800 005 770**

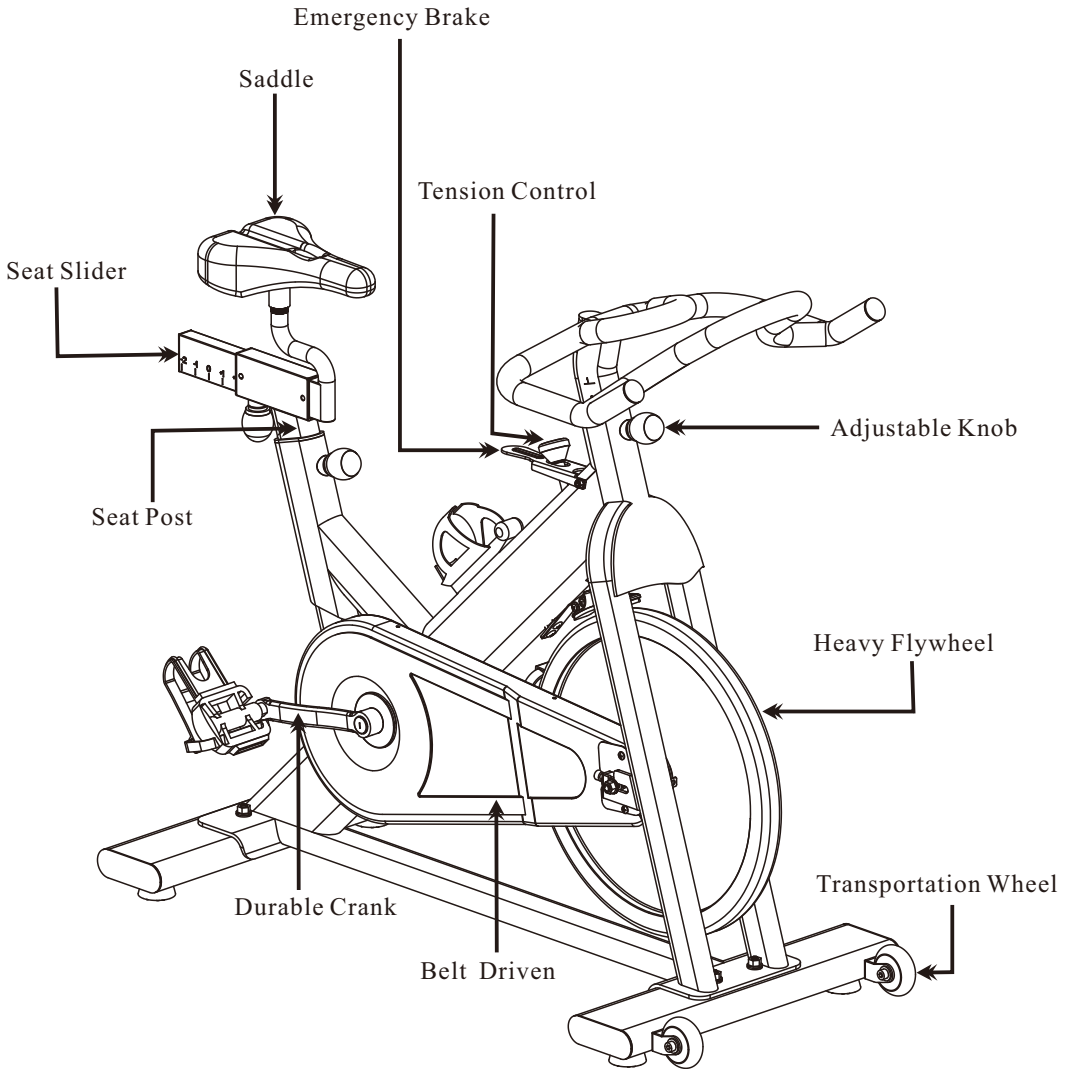
# *INDEX*

* SAFETY & MAINTENANCE INSTRUCTIONS -----	PAGE 2
* FEATURES -----	PAGE 3-4
* ASSEMBLY INSTRUCTION	
Parts List -----	PAGE 5
Assembly Step A-----	PAGE 6
Assembly Step B-----	PAGE 6
Assembly Step C -----	PAGE 7
Assembly Step D -----	PAGE 7
Assembly Step E -----	PAGE 8
Assembly Step F -----	PAGE 8
* EXPLODED DRAWING -----	PAGE 9
* BILL OF MATERIAL -----	PAGE 10

# **SAFETY & MAINTENANCE INSTRUCTIONS**

1. Once fully assembled, please check that all hardware parts such as bolts, nuts and washers are positioned and secured firmly.
2. Please check regularly that the safety chain guard that protects the moving parts of the machine is secured and in good order.
3. Please always check the seat post, seat slider, pedals and handlebar are secured firmly before getting on the bike.
4. To lubricate all moving parts monthly is recommended.
5. Do not wear loose clothing to avoid entangling in any moving parts.
6. Do not remove feet from the pedals while they are in motion.
7. Always wear shoes when using the machine.
8. Dry the bike after each use to remove sweat and moisture. Wipe the machine with a damp cloth, water and mild soap. Do not use a petroleum-based solvent to clean the machine in order not to damage the finish .
9. Please keep children away from the bike while it is in use. Do not allow children to use the bike. This bike is designed for adults, not children.
10. Do not dismount the bike until the pedals have stopped completely.
11. Stop exercise immediately in case of nausea, shortness of breath, faint, headache, pain, tightness in your chest or any discomfort.
12. Do not place fingers or any other objects into the moving parts of the bike.
13. Prior to any exercise, consult with your physician first to establish the exercise frequency, time and intensity appropriate for your particular age and condition.
14. After exercising, please turn the tension control knob clockwise (+) to increase resistance so that the pedals will not rotate freely and possibly hurt someone.
15. For daily maintenance, use a damp cloth to wipe your bike free on sweat to avoid excess moisture , and apply supplied lubricant on flywheel's CP rim to increase its operation smoothness .
16. Before riding, check the emergency brake are functioning well and properly
17. For weekly maintenance, make sure the crank bolt and pedal bolt are well tightened

# FEATURES



### Adjustable Knob

Easy to adjust the height of both seat post & handlebar

### Heavy Flywheel

High-inertia flywheel creates the high momentum

### Transportation Wheel

Anyone can move this machine using the 2 wheels

### Durable Crank

Ensure the best durability when in big force

### Belt Driven

Most comfortable and less noisy

### Seat Post

Up/down adjustment for any shapes of users

### Seat Slider

Forward/backwards adjustment for any shapes of users

### Saddle

Extra padding to provide comfortable sitting

### Emergency Brake


Pushing down the lever, user can stop the transmission immediately without danger.

### Tension Control

Micro torque adjustment with push-down emergency brake

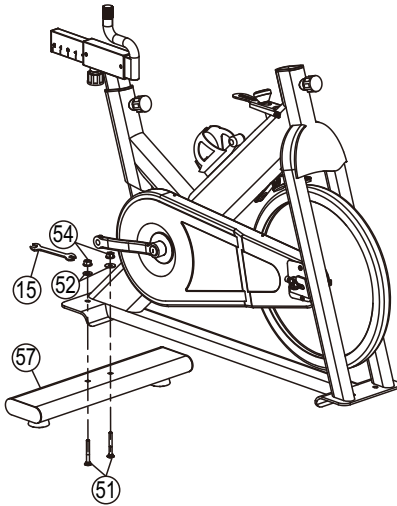
# ASSEMBLY INSTRUCTION

## PARTS LIST

#	DESCRIPTION	Q'TY	SPECIFICATION
15	Multi-Wrench	1	
25	Handlebar	1	Chrome & dipping
28	Saddle	1	With 2 hex nuts
42R	Pedal ( R )	1	Right Threaded
42L	Pedal ( L )	1	Left Threaded
51	Carriage Bolt	4	M8*50
52	Washer	4	$\phi 16 * \phi 8.5 * 1.6$
54	Flange Nut	4	M8
56	Front Stabilizer	1	with 2 wheels
57	Rear Stabilizer	1	without wheels

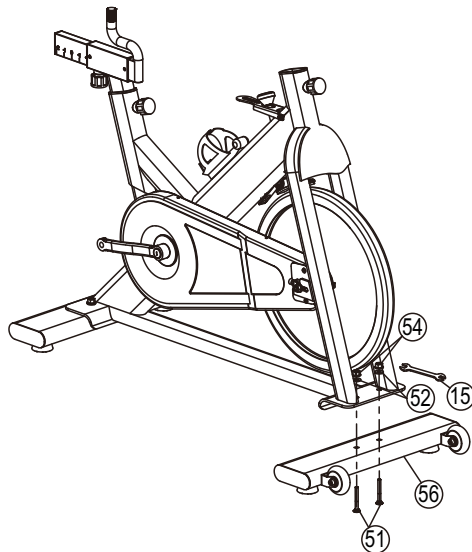
## Assembly Step A

Attach the Rear stabilizer (#57) to the frame using two Carriage Bolts (#51) and two Flange Nuts (#54) and two Washers(#52), and secure firmly using the Multi-Wrench (#15).



## Assembly Step B

Attach the Front stabilizer (#56) to the frame using two Carriage Bolts(#51) and two Flange Nuts (#54) and two Washers(#52), and secure firmly using the Multi-Wrench (#15).

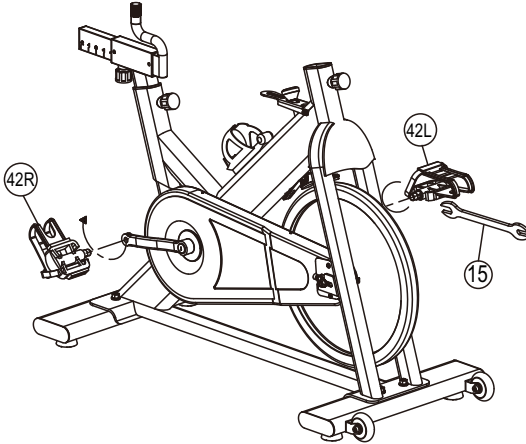




## Assembly Step C

Thread the right pedal (#42R) that has "R" on spindle to the right side arm of the bike using the Multi-Wrench (#15). Please note that the R pedal is right-hand threaded which must be turned clockwise to tight.

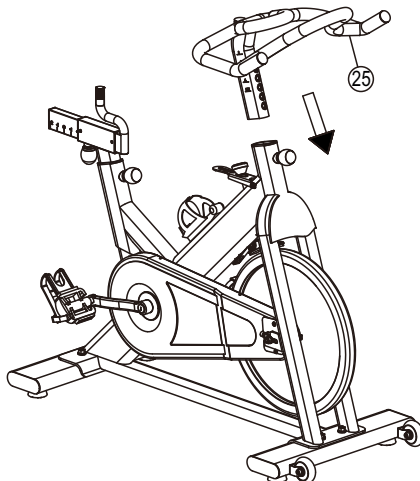
Thread the left pedal (#42L) that has "L" on spindle of the left side arm of the bike using the Multi-Wrench (1#5). Please note that the L pedal is left-hand threaded which must be turned counterclockwise to tight.



## Assembly Step D

Orient the Handlebar (#25) as shown.

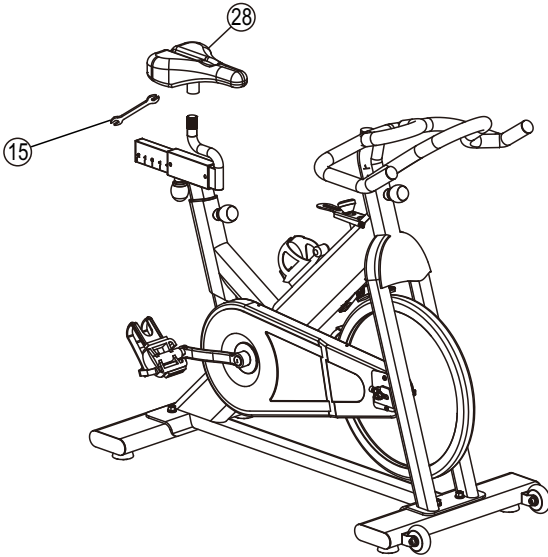
Locate the Adjustable Knob on the front of the Frame. Loosen the knob and pull it outward. Then, insert the Handlebar (#25) into the frame. Move the Handlebar (#25) upward or downward to the desired position, and then tighten the knob.



## Assembly Step E

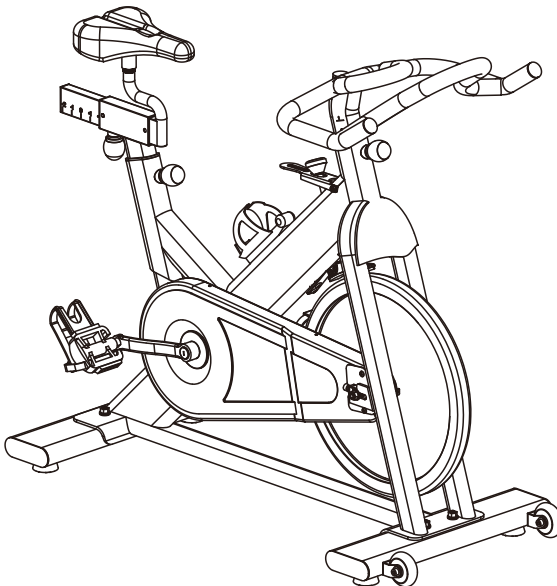
Attach the Seat ( #28 ) to the Seat slider with two M8 Hex Nuts, and secure firmly using the Multi-Wrench (#15). Make sure that the nose of the Seat is pointing straight ahead before you tighten the Hex Nuts.

Note: The M8 Hex Nuts may be pre-attached to the seat clamp.

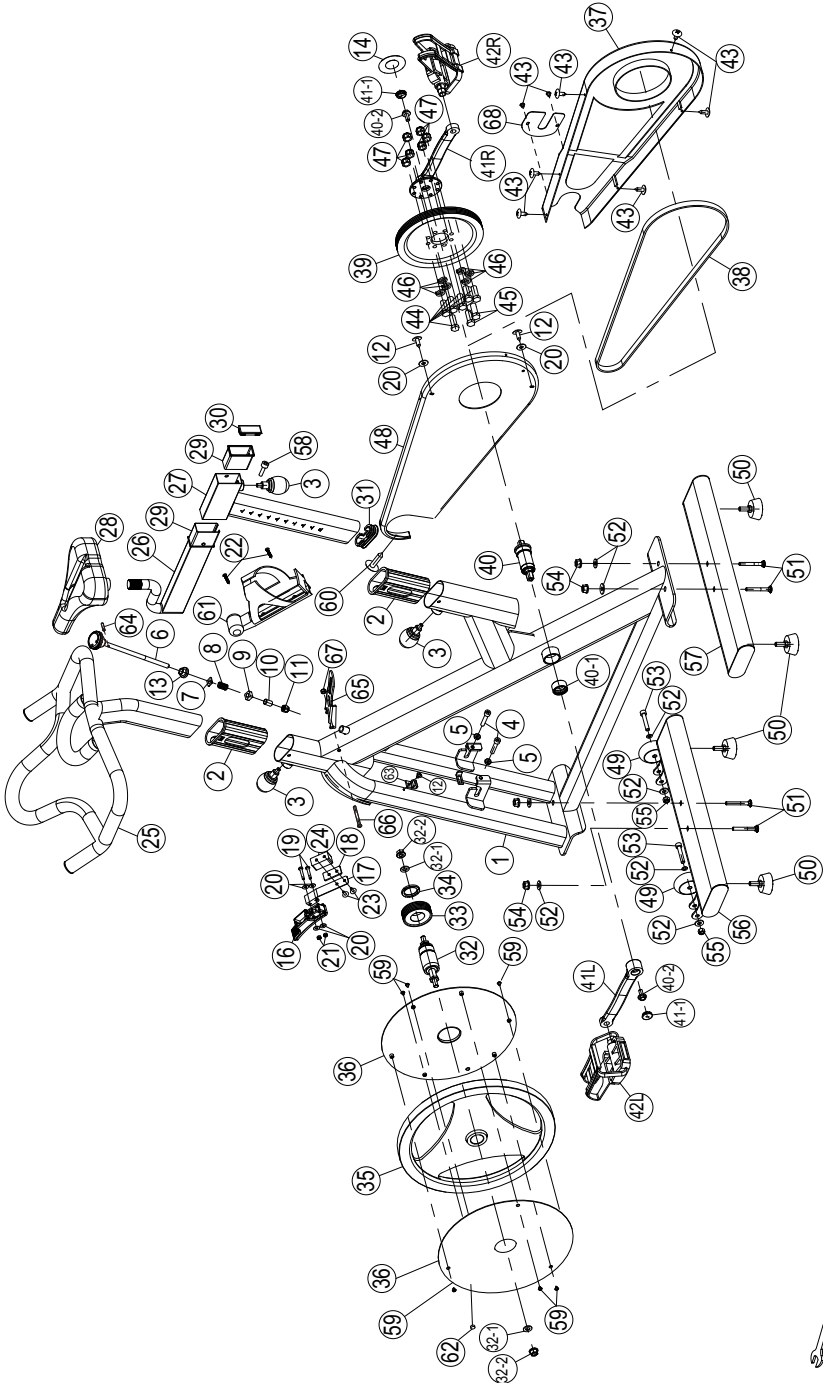


## Assembly Step F

Congratulations that you have assembled the bike successfully !



# EXPLODED DRAWING



# BILL OF MATERIAL

#	DESCRIPTION	Q'TY/BIKE	#	DESCRIPTION	Q'TY/BIKE
1	Frame	1	37	Outer Chain Guard	1
2	Long Sleeve	2	38	Belt	1
3	Adjustable Knob	3	39	Big Pulley	1
4	Allen Bolt	2	40	Bottom Bracket	1
5	Allen Nut	2	40-1		
6	Tension Control	1	40-2	Crank Bolt	2
7	Square Washer	1	41R	Crank ( R )	1
8	Helical Compression Spring	1	41L	Crank (L)	1
9	Square Nut	1	41-1	Crank Cap	2
10	Spacer	1	42L	Left Pedal	1
11	Cap Nut	1	42R	Right Pedal	1
12	Self-tapping Screw	3	43	Self-tapping Screw	8
13	Spacer	1	44	Allen Bolt	6
14	Flange Bolt Cap	1	45	Allen Bolt	2
15	Multi-Wrench	1	46	Spring Washer	6
16	Brake Pad Assembly	1	47	Locked Nut	6
17	Beam	1	48	Inner Chain Guard	1
18	Rubber Absorber	1	49	Transportation Wheel	1
19	Allen Bolt	2	50	Leveling Feet	4
20	Washer	6	51	Carriage Bolt	4
21	Locked Nut	2	52	Washer	8
22	Self-tapping Screw	2	53	Allen Bolt	2
23	Self-tapping Screw	2	54	Flange Nut	4
24	Brake Absorber	1	55	Locked Nut	2
25	Handlebar	1	56	Front Stabilizer	1
26	Seat Slider	1	57	Rear Stabilizer	1
27	Seat Post	1	58	Allen Bolt	1
28	Saddle	1	59	Self-tapping Screw	6
29	Short Sleeve	2	60	Self-tapping Screw	1
30	End Cap (for Seat Slider)	1	61	Water Bottle Cage	1
31	End Cap (for Seat Post)	1	62	Magnet	1
32	Hub	1	63	Sensor Clamp	1
32-1	Washer	2	64	Allen Bolt	1
32-2	Flange Nut	2	65	Emergency Leveler	1
33	Small Pulley	1	66	Self-tapping Screw	1
34	Locked Ring	1	67	Locked Nut	1
35	Flywheel	1	68	Front Chain Guard	1
36	Flywheel Cover	2			









**Model No: # A117BB**

To register your warranty, please go to  
[www.gpisports.com.au](http://www.gpisports.com.au)

Distributed Exclusively by :  
**GPI Sports & Fitness**  
**275 Wellington Road**  
**Mulgrave, VIC, 3170**  
**Australia.**