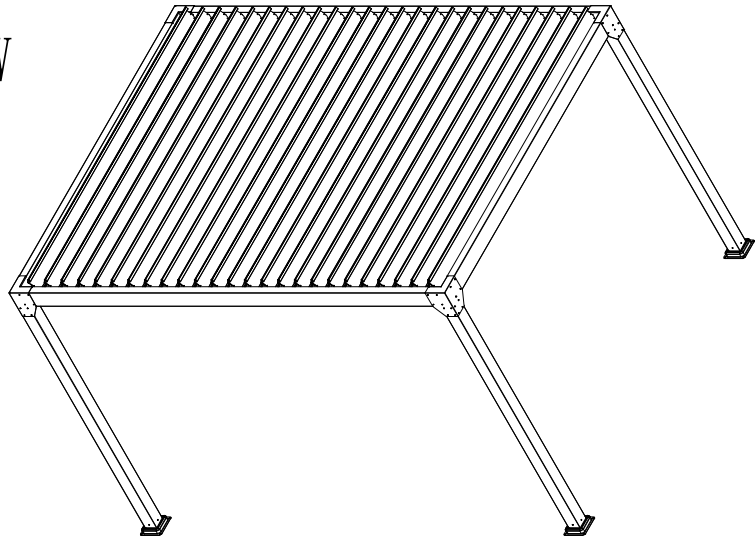
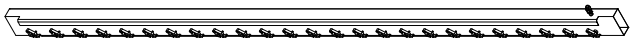
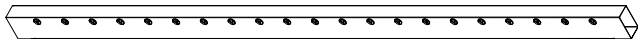
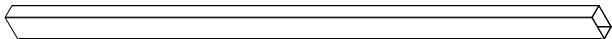
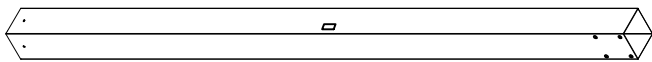
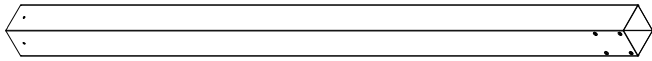

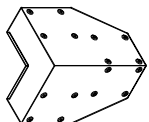

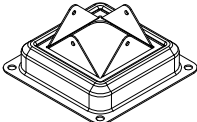





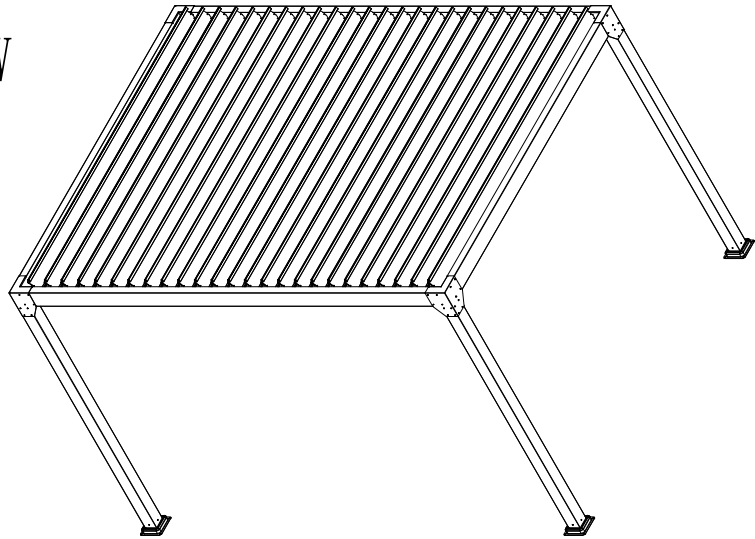


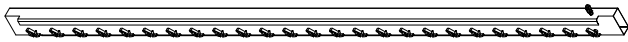

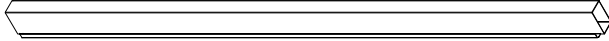
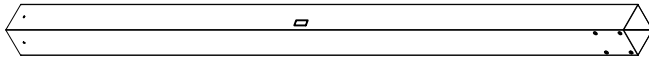
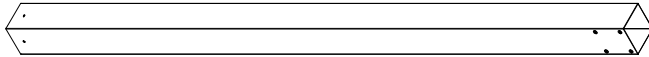

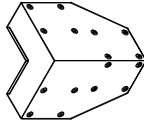
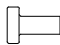
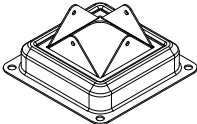
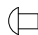



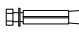
TZ-C3x3-SD-BW



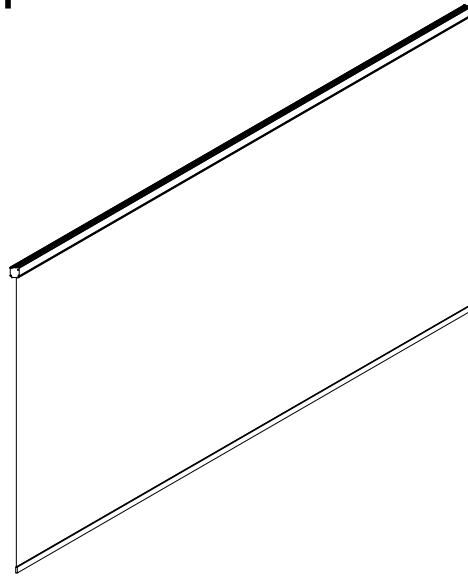
Name	No.	Component Part		QTY.
Beam 1	A			1
Beam 2	B			1
Beam 3	C			2
Leg tube	D			1
Leg tube	E			3
Louver	H	 Five louvers with lights		19
Corner		4	Hardware	 M6*16 80+2
Feet pad		4		 M5*8 76+5
Handle		1		 $\phi 5$ 76+5
				 S4 1
			 M8*60 16	


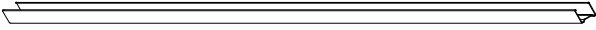
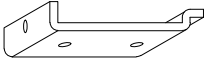

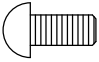
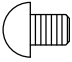


TZ-C3x4-SD-BW



Name	No.	Component Part		QTY.
Beam 1	A			1
Beam 2	B			1
Beam 3	C			2
Leg tube	D			1
Leg tube	E			3
Louver	H	 Five louvers with lights		25
Corner		4	Hardware	 M6*16 80+2
Feet pad		4		 M5*8 100+5
Handle		1		 $\phi 5$ 100+5
				 S4 1
			 M8*60 16	

Shade Curtain



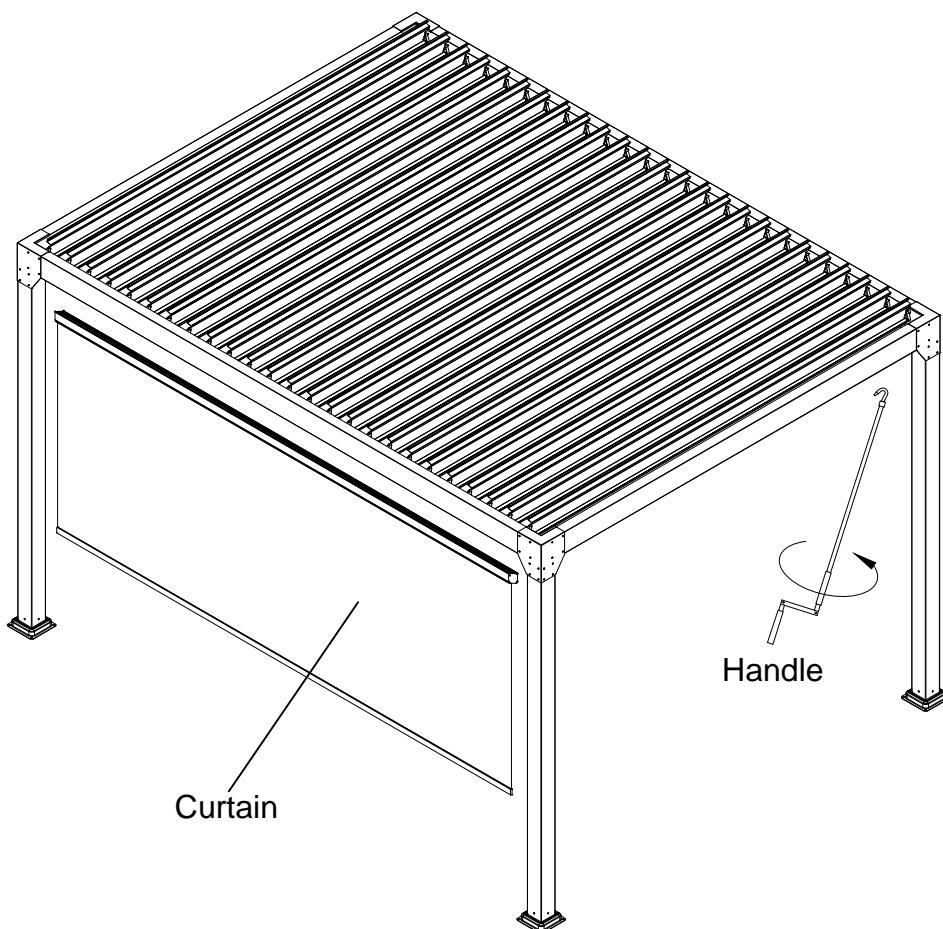
Name	No.	Component Part	QTY.
Curtain	A1		1
Guide rail	B1		2
part	C1		3
Spline	D1		6
Bolt		 M5*14	6
Bolt		 M5*6	3
Washer		 Ø5	3
Bolt		 M2. 6*6	6

Warning

1. Read this manual carefully before assembling , keep this manual for future reference, we suggest to prepare at least 5x5 meter of flat land for assembling. In order to prevent the devices from dirtying or damaging during installation, sofa liner are necessary for using to protect the devices.

For your safety, please equip with personal protective devices(gloves, eyes glass and safety helmet) before apply the installations.

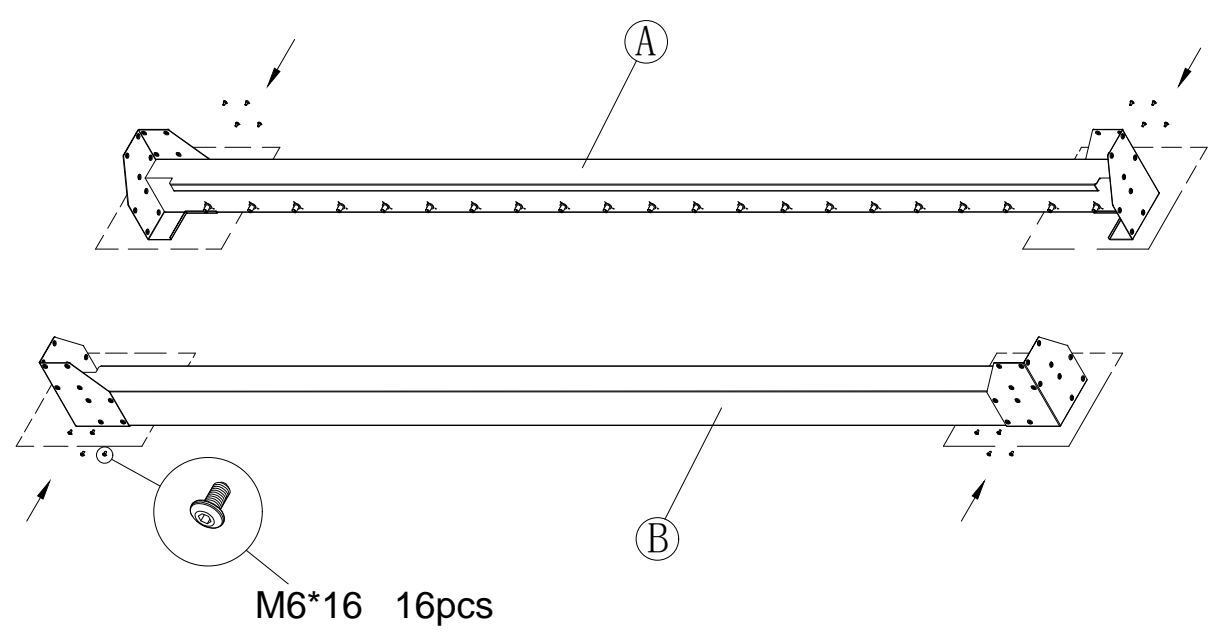
2. Please check part quantity after open box.
3. Ensure the louver is opening if snow thickness may exceed 10cm.
4. When the louver is closed, please stop turning the handle immediately to avoid damage to the internal structure



1

Install corner

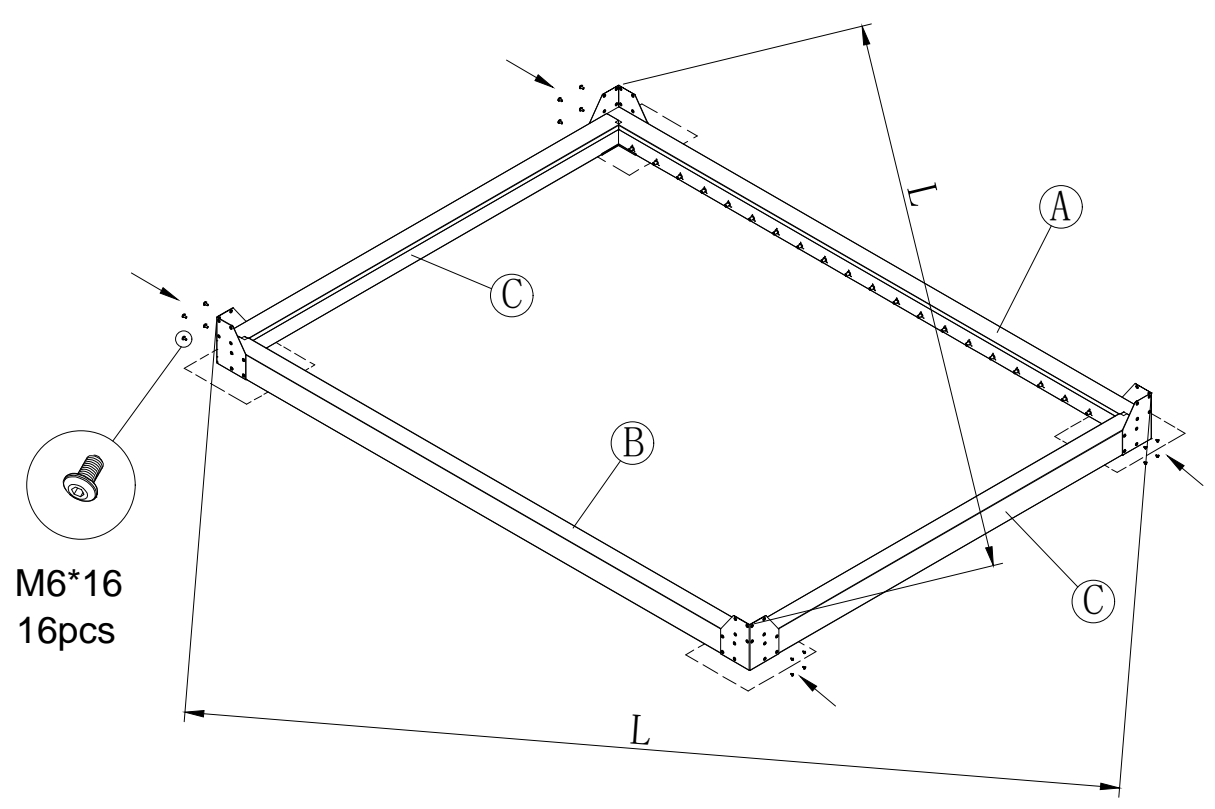
1. Put four protective pad on ground
2. Make beam A and B into corner, fix each corner by 4 pcs M6*16 on both end of beam.



2

Install top frame

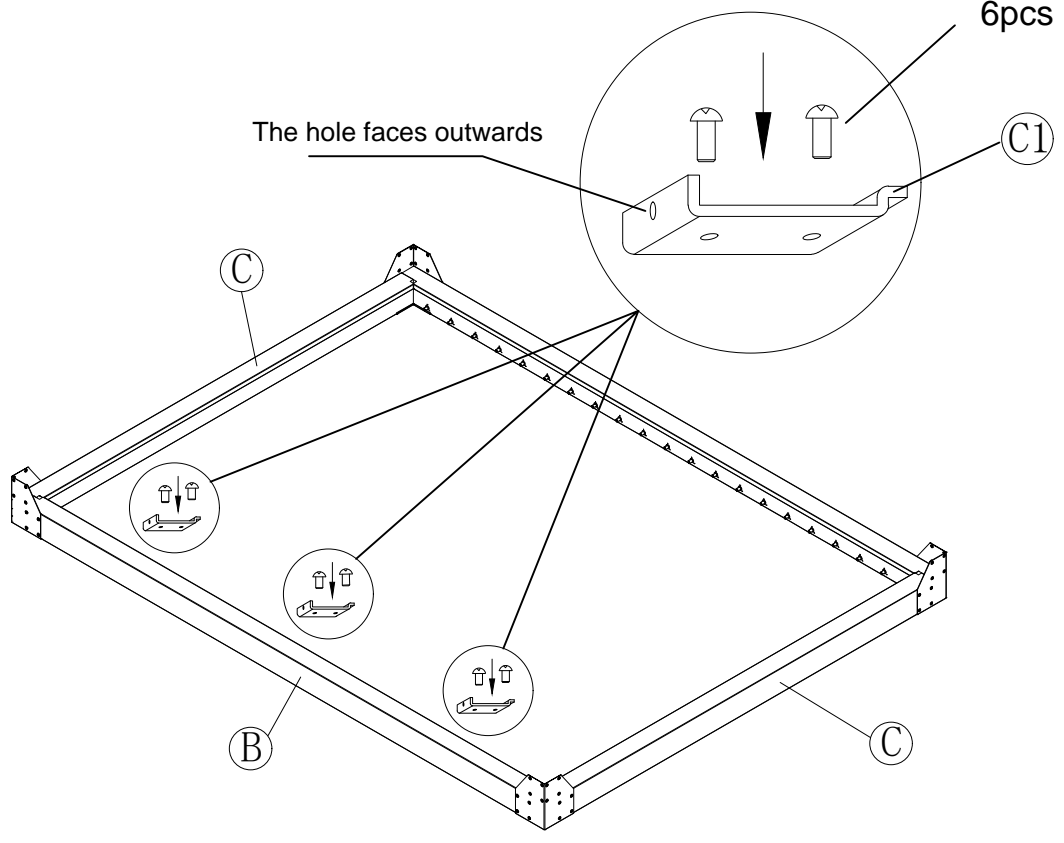
1. Place 2 pcs "C" beam into corner symmetrically.
2. Fix each corner by 4 pcs M6*16 on both end of beam.
3. Check the diagonal dimensions, make the diagonal dimension L is basically the same



3 Curtain installation(This step can be ignored if without curtain)

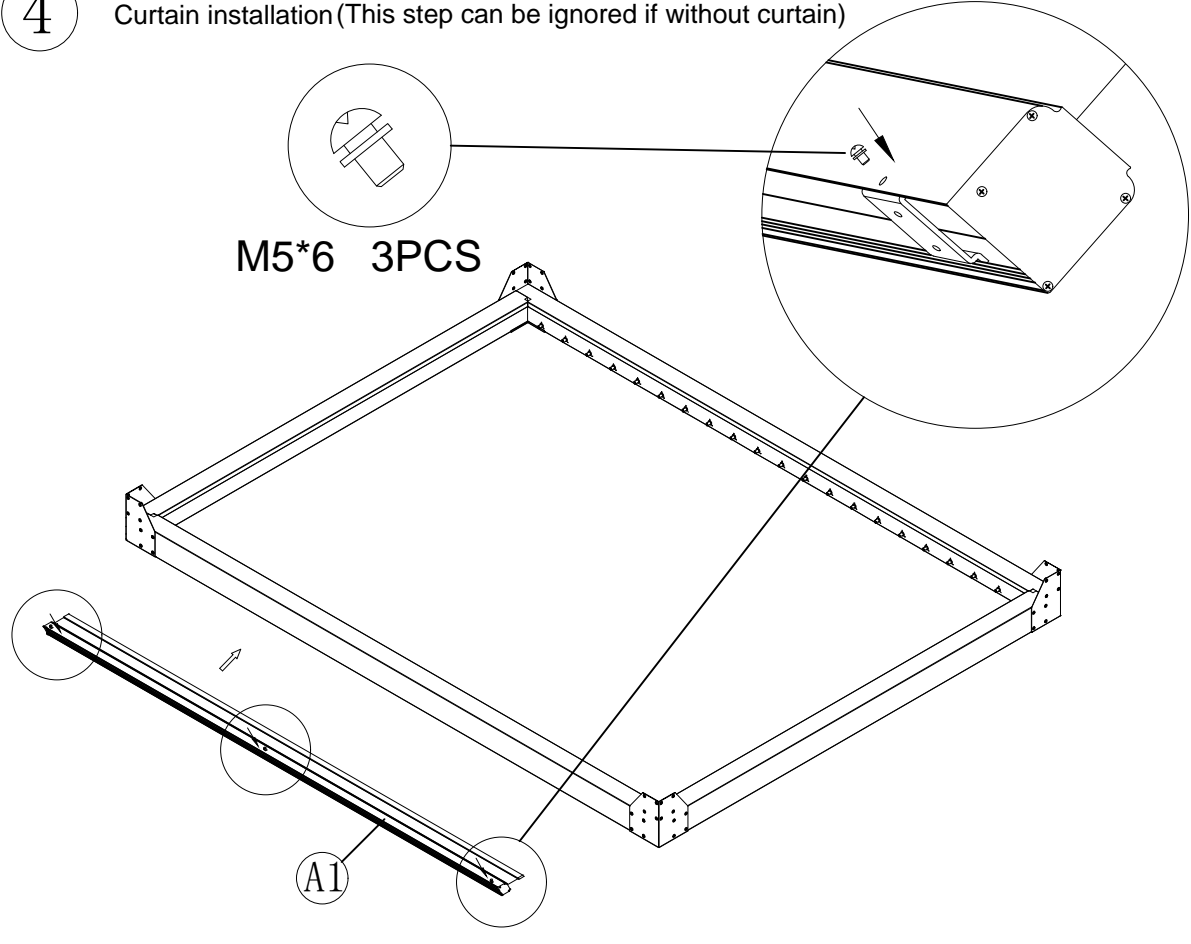
x3

M5*14
6pcs



4 Curtain installation(This step can be ignored if without curtain)

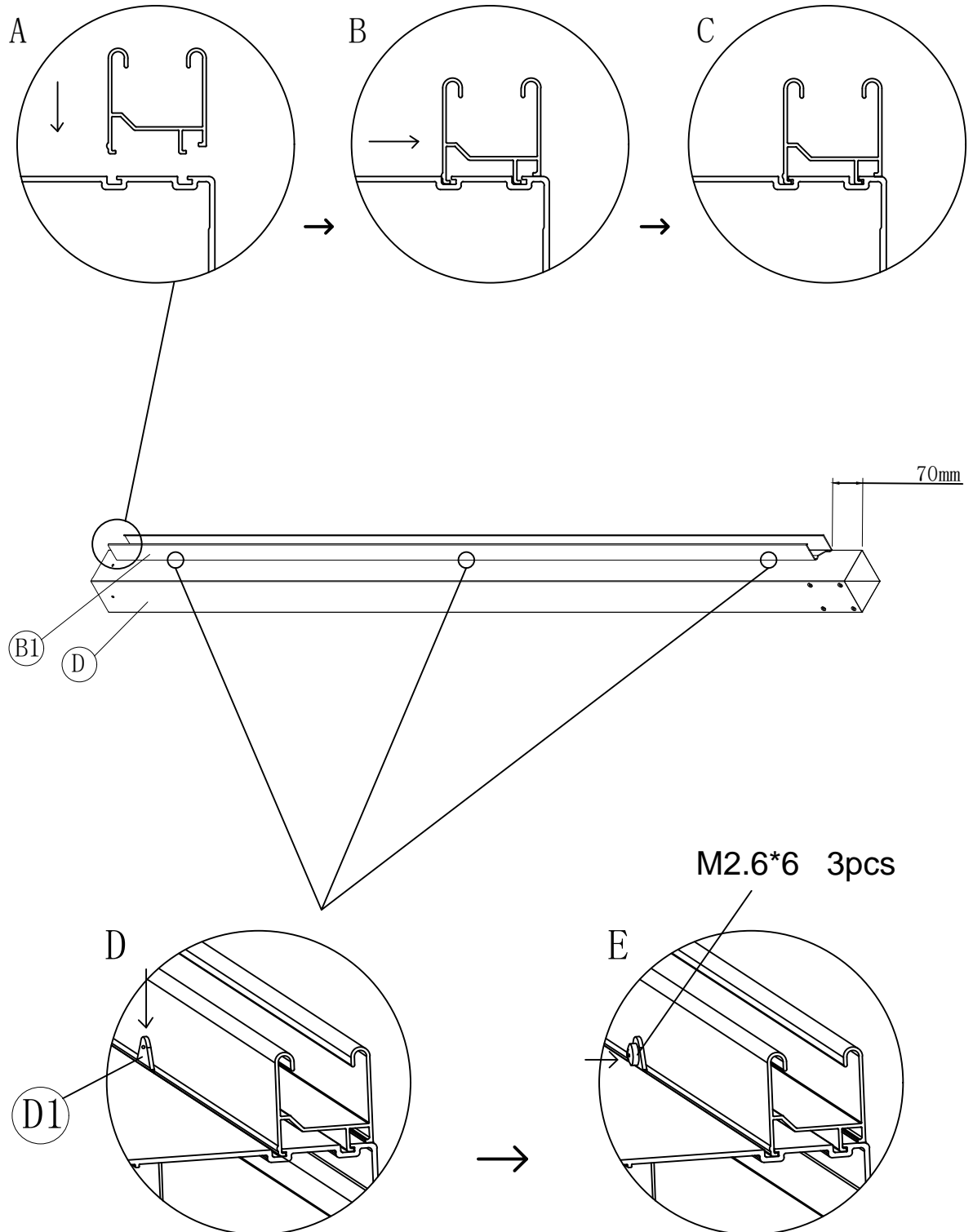
M5*6 3PCS



5

Groove of curtain installation

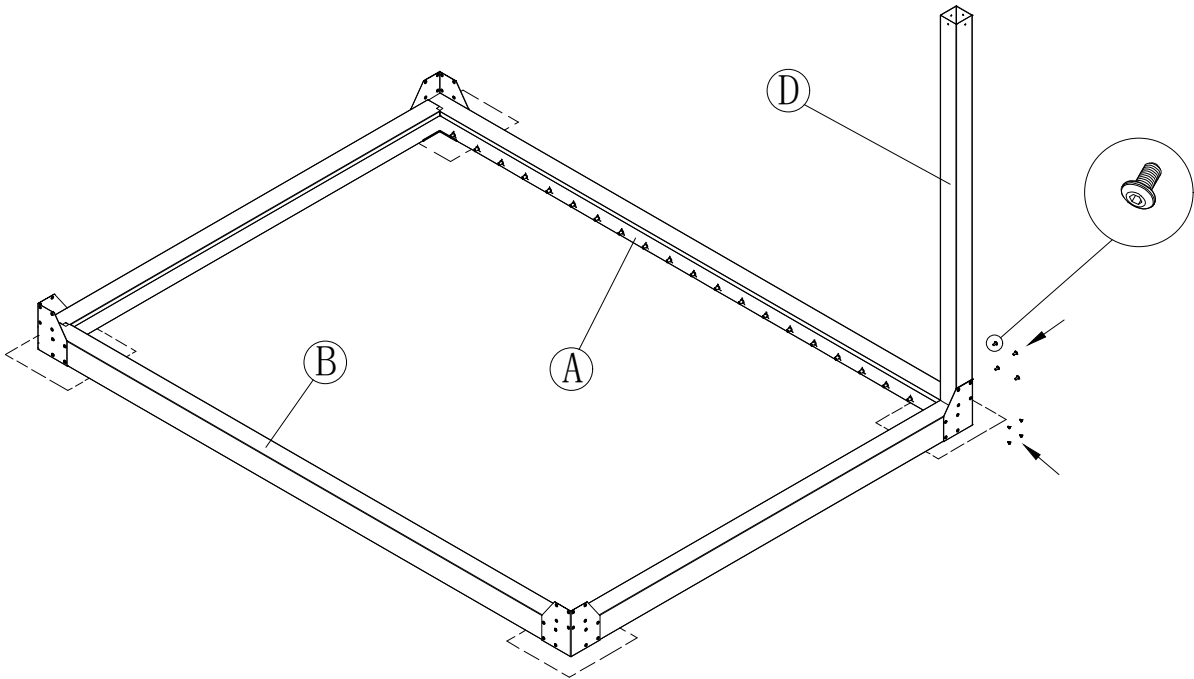
1. According to the position of the roller shutter, the guide rail is clamped into the corresponding pin clamping groove
2. Insert the plug piece into the side clearance of the guide rail and tighten the screw. If the clearance is too tight, use a screwdriver to move it gently



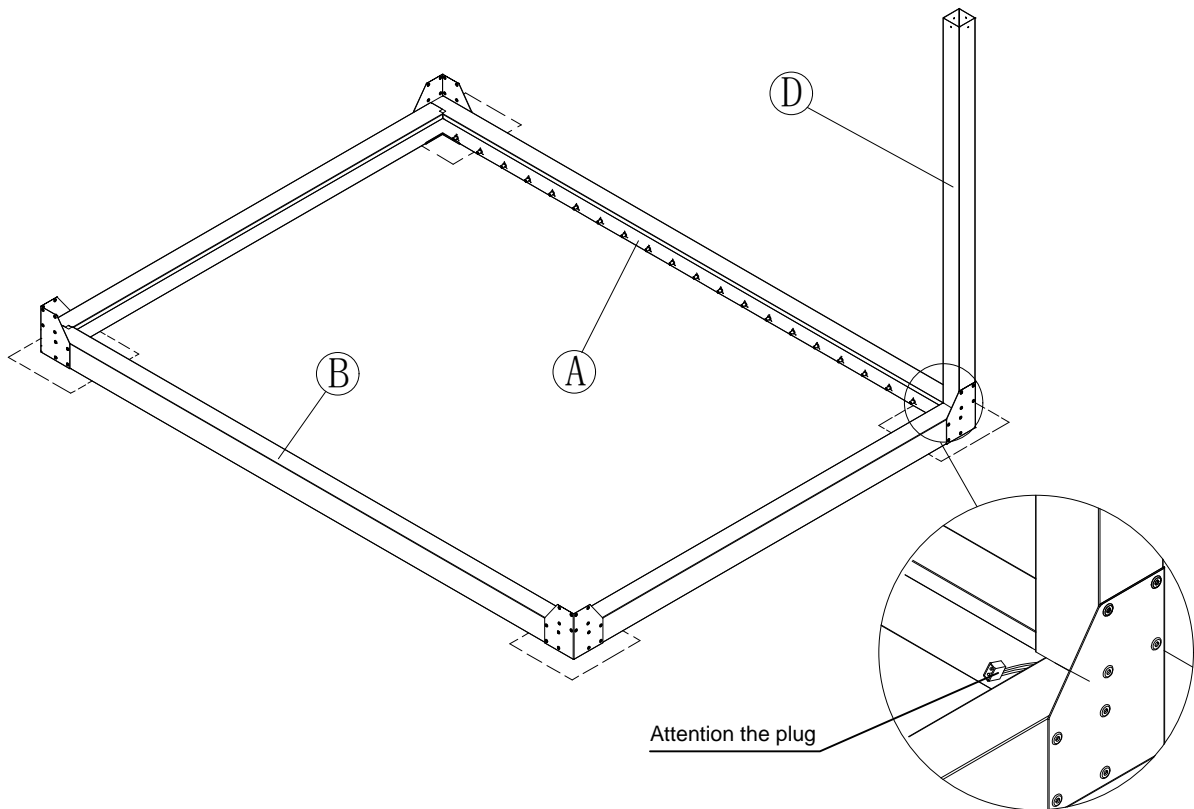
6 "D" leg tube installation

1. Fix "D" leg on corner (at one end of the "A" beam) by 8 pcs M6*16

M6*16 8pcs



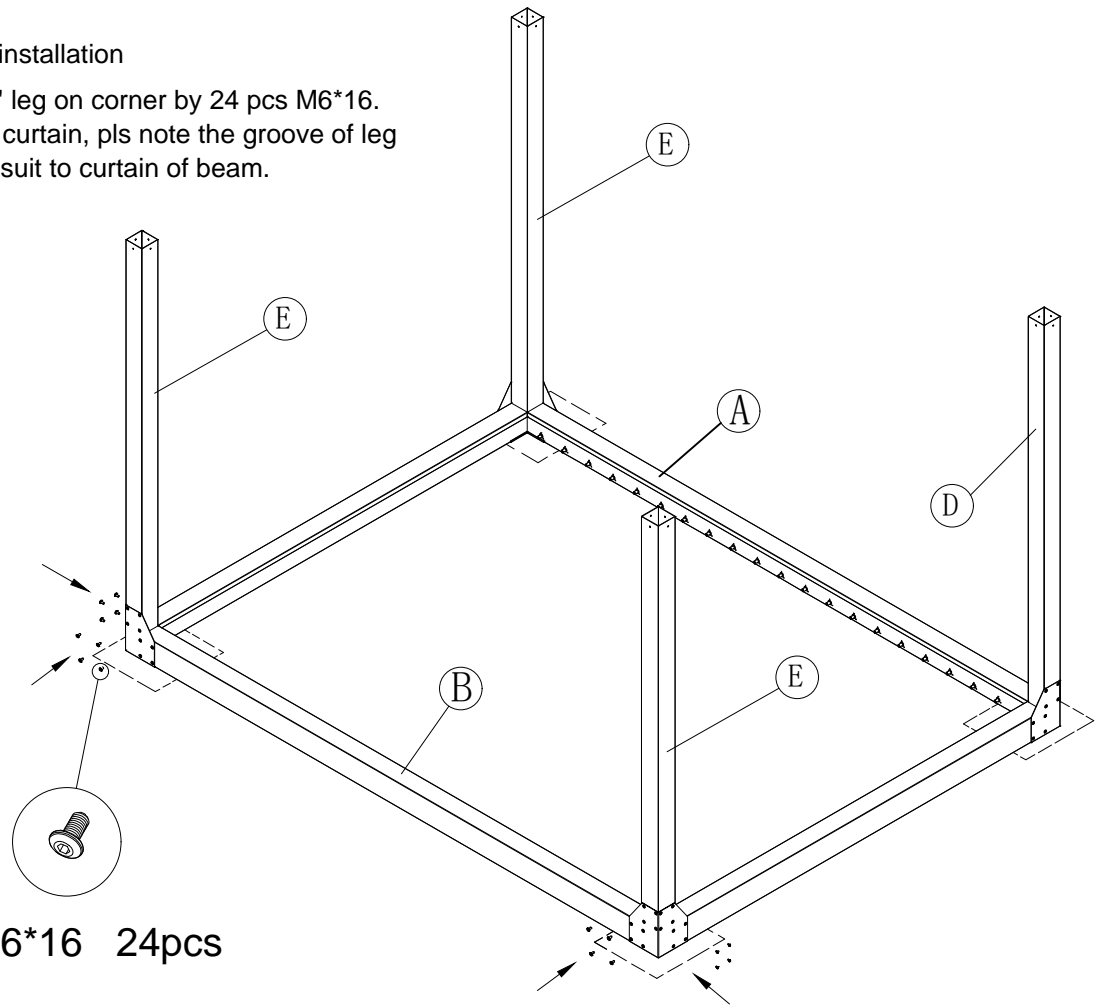
- 7 1. Be sure to check that the power cord plug at the "D" Pin End is exposed to the beam



8

Leg tube installation

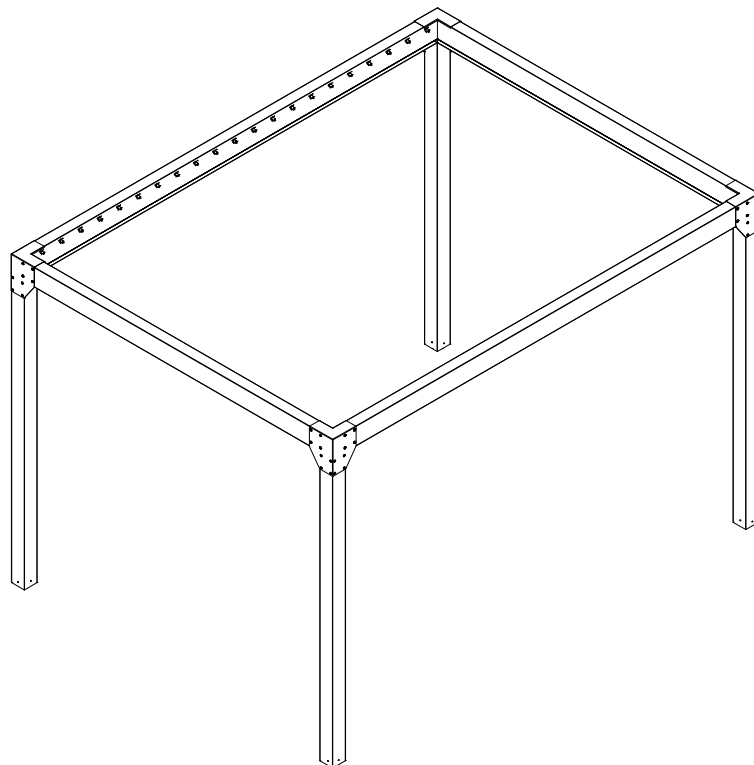
1. Fix "D" leg on corner by 24 pcs M6*16.
2. If have curtain, pls note the groove of leg tube is suit to curtain of beam.



M6*16 24pcs

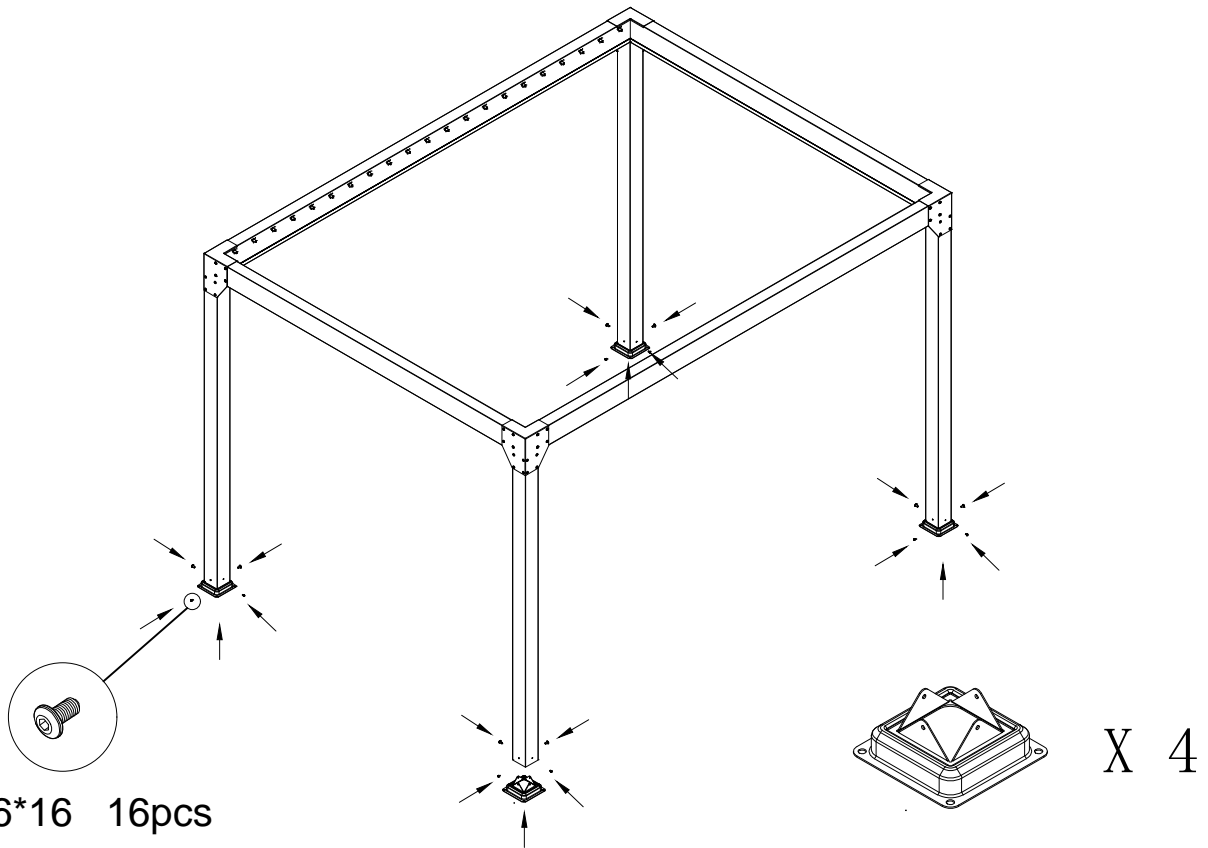
9

Turn over beam of pergola



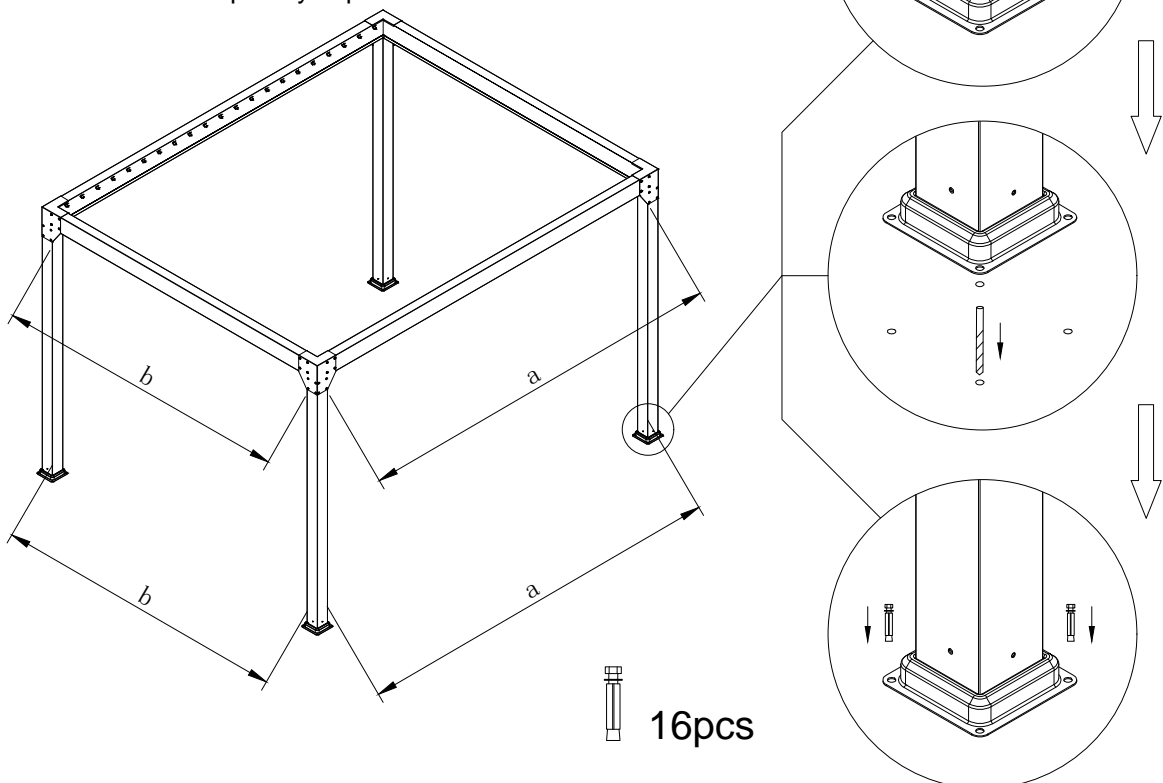
10

Each feet pad is fixed on leg tube by 4 pcs screw M6*16.



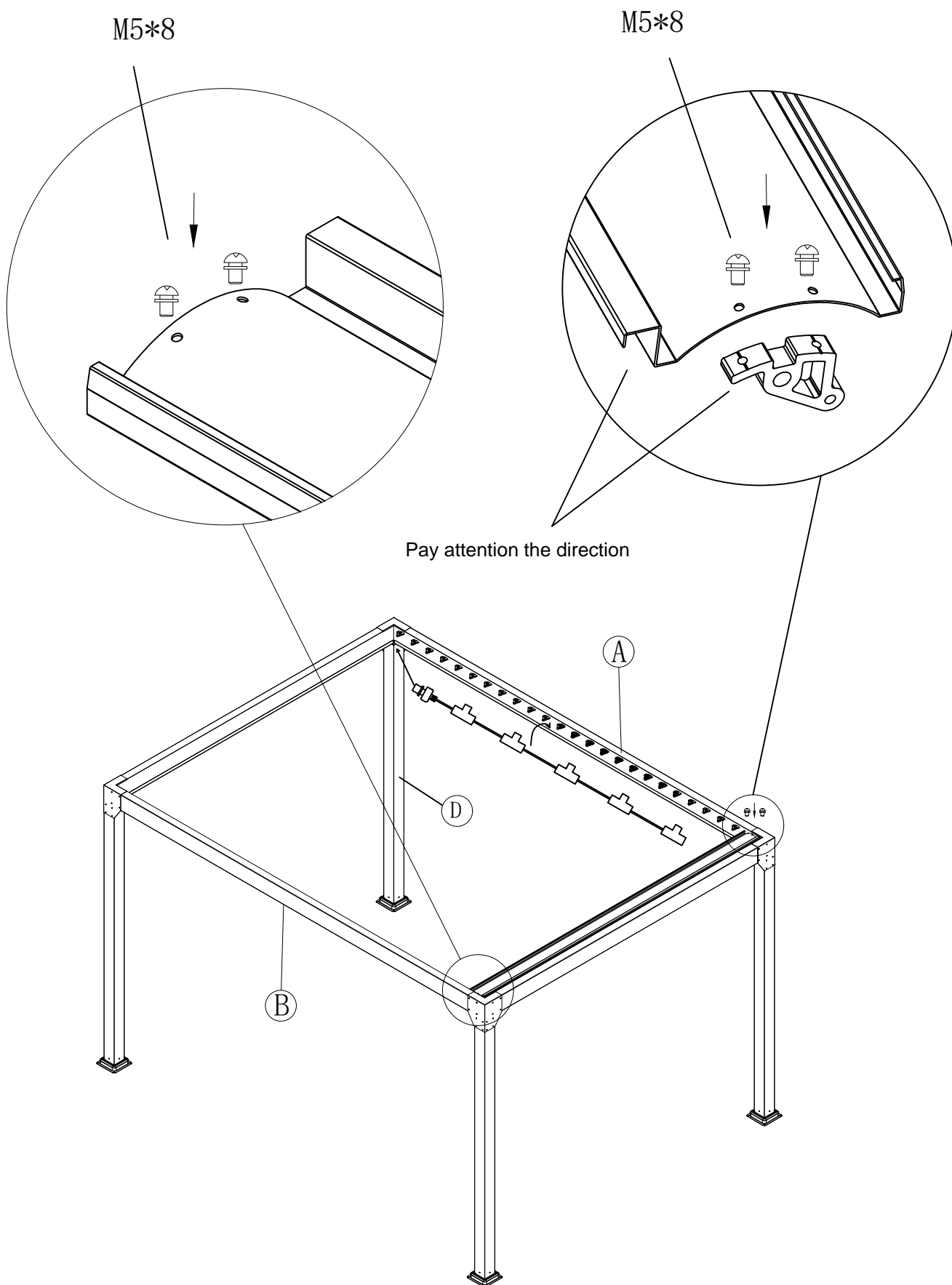
11

1. Measure a.b. make sure the measurement on top and base are same.
2. Pre-mark the hole by using pencil through 4 base hole on feet pads. then move the feet pad drill the hole base on pre-marked point.
3. Fix the feet pad by expansion screw.



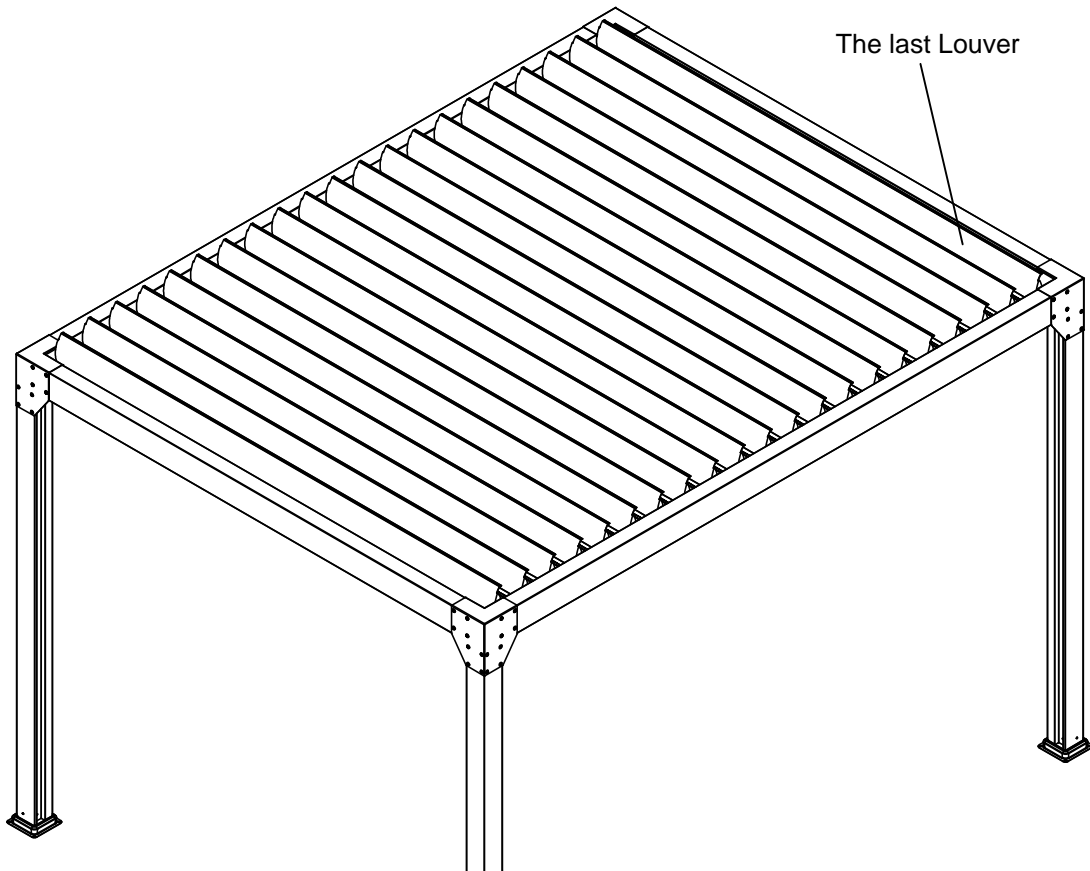
12

1. Louvers must be installed start from bellowed pic., the end of louver is fixed on frame by 2 pcs screws.
2. 3x4 Model: 5 out of 25 Louvers are light, the 3rd, 8th, 13th, 18th, 23rd louvers has a light
3. 3x3 Model: 5 out of 19 Louvers are light, the 2nd, 6rd, 10th, 14th, 18th louvers has a light
4. Connect the electric wire to the plug and put the wire into the sink



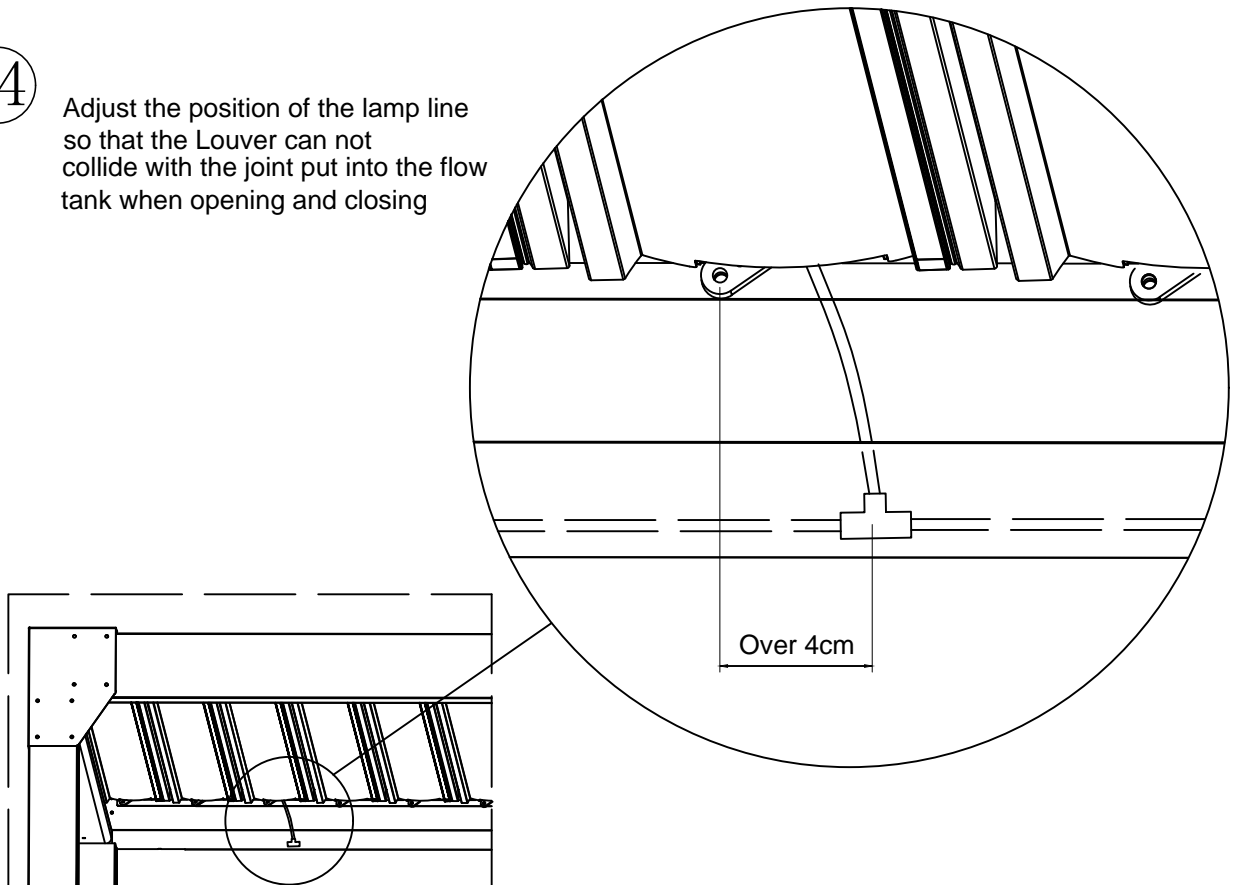
13

When installing the last Louver, if the installation is difficult, shake the handle, adjust the angle of the LOUVER, make the louver rotate to the best position before installing



14

Adjust the position of the lamp line so that the Louver can not collide with the joint put into the flow tank when opening and closing



15

1. Please follow step 12 to assemble each louver in sequence
2. Shake the moonlight tent with your hands and check the opening and closing function of the
3. It only takes 4 turns of the hand to go from closed to open louvers



16

Open curtain (This step can be ignored if without curtain)

