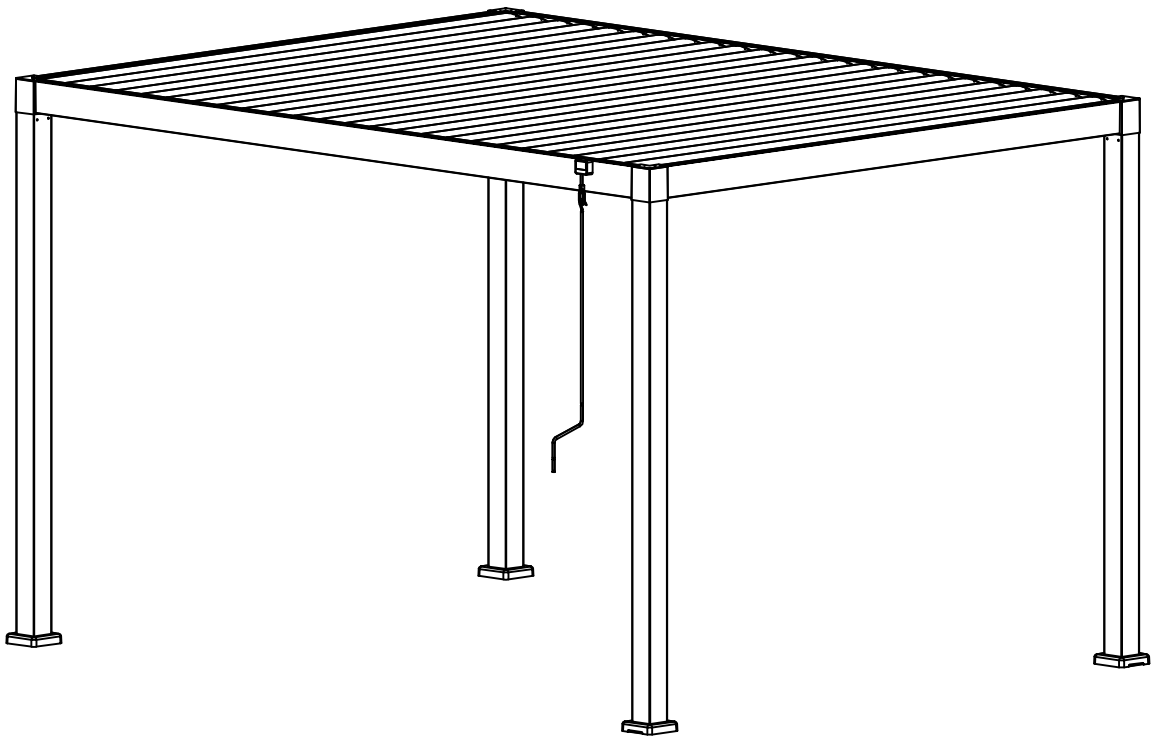
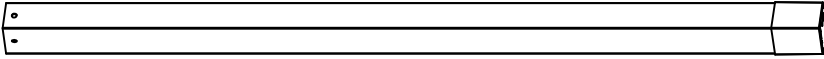



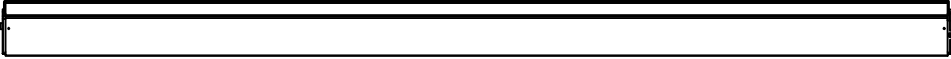


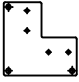



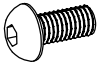
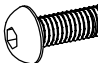
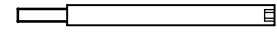

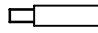


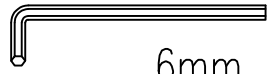

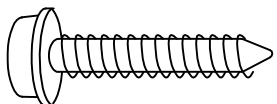


(3*4)



A		X4
B		X1
C		X1
D		X2
E		X24
F		X4
G		X4
H		X4
J		X1
K		X1
L		X1

1#		M6*16	(X33+2)
2#		M6*20	(X24)
3#		M8*155	(X12)
4#		M8*55	(X23)
5#		M8*70	(X1)
6#		M5*12	(X16)
7#		$\phi 16 * \phi 7 * 1$	(X1)
	 6mm		(X1)
	 4mm		(X1)
	 M8		(X16)



A (X4)



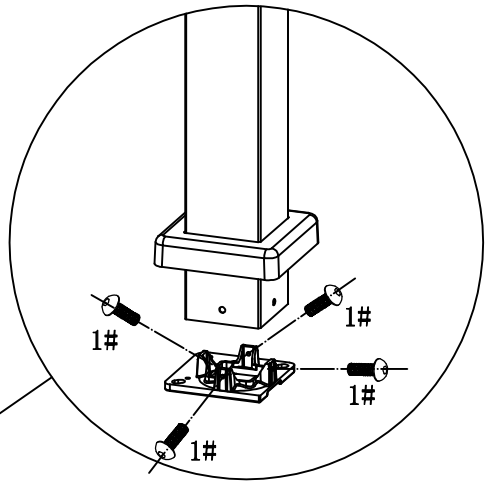
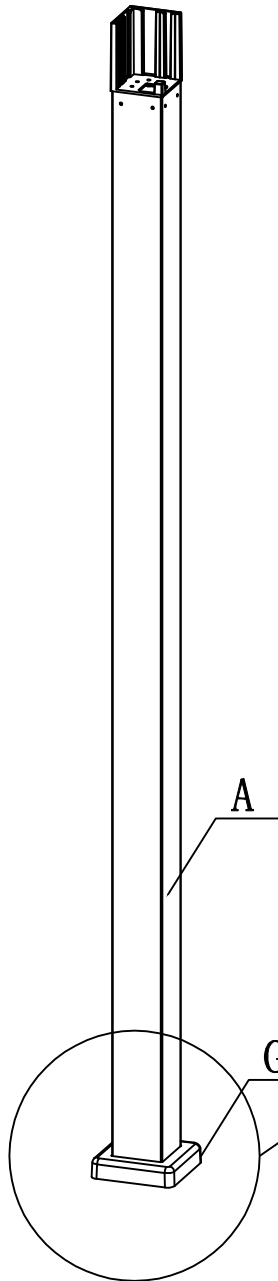
F (X4)



G (X4)



1# (X16)

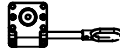


B



(X1)

J



(X1)

K



(X1)

1#



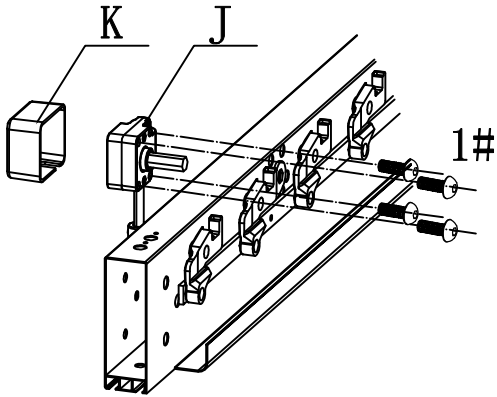
(X5)

6#

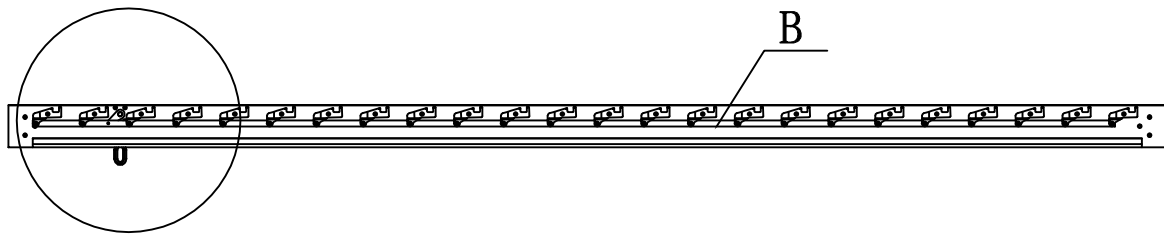
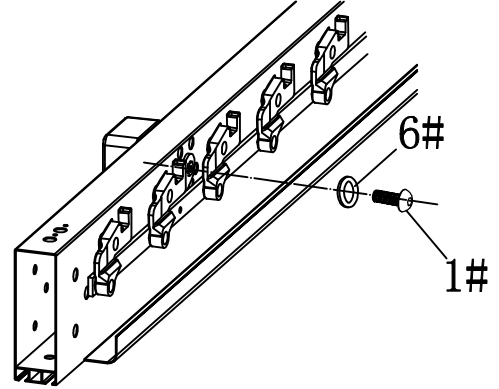


(X1)

1-1



1-2

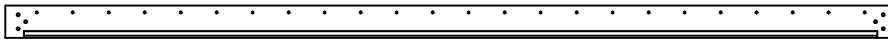


B

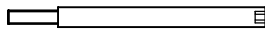


(X1)

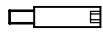
C



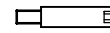
(X1)



3# (X8)

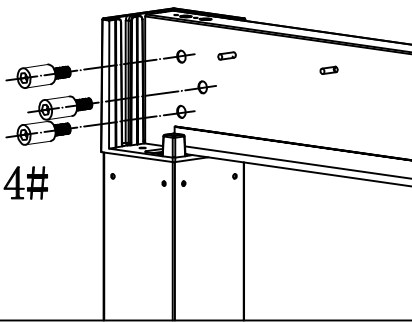


4# (X11)

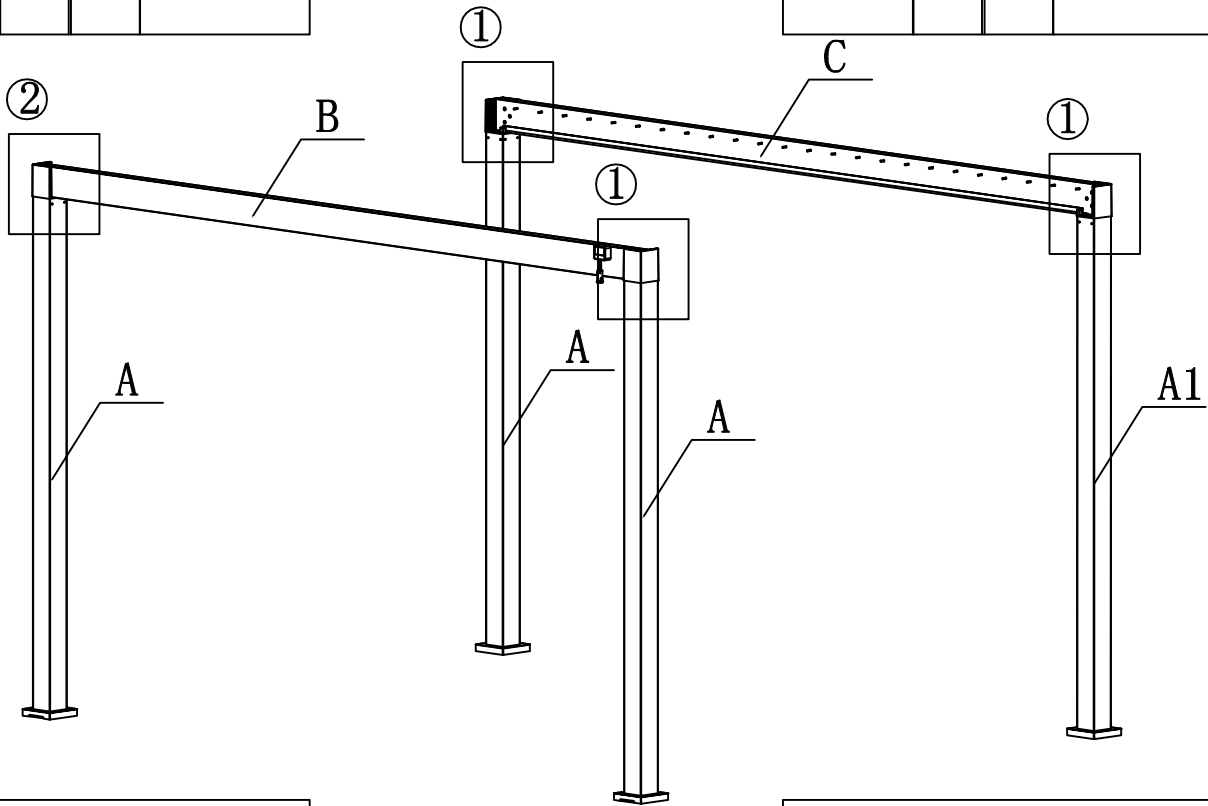
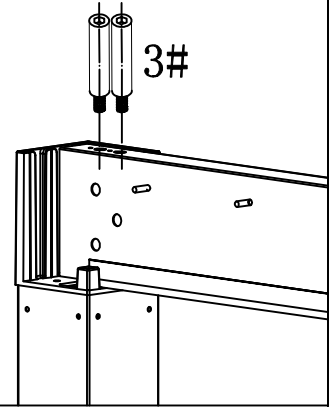


5# (X1)

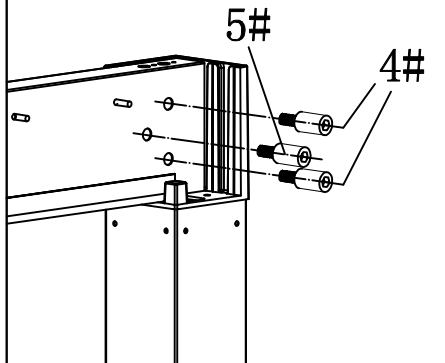
1-1



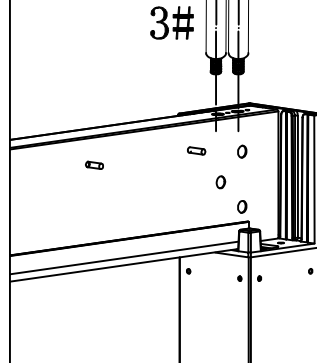
1-2



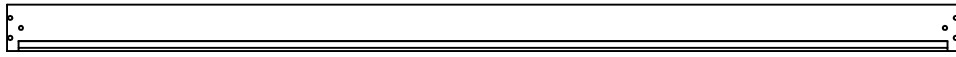
2-1



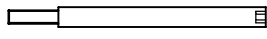
2-2



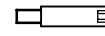
D



(X2)

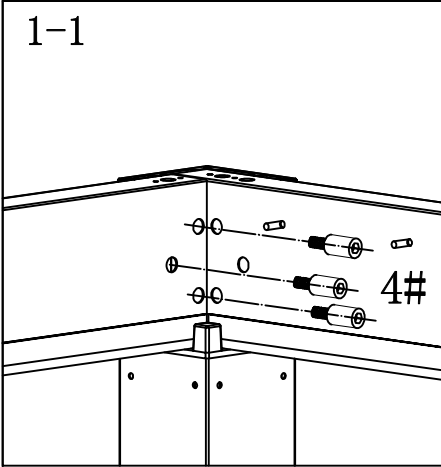


3# (X4)



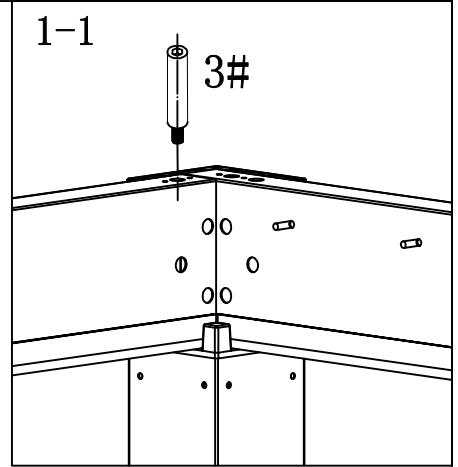
4# (X12)

1-1

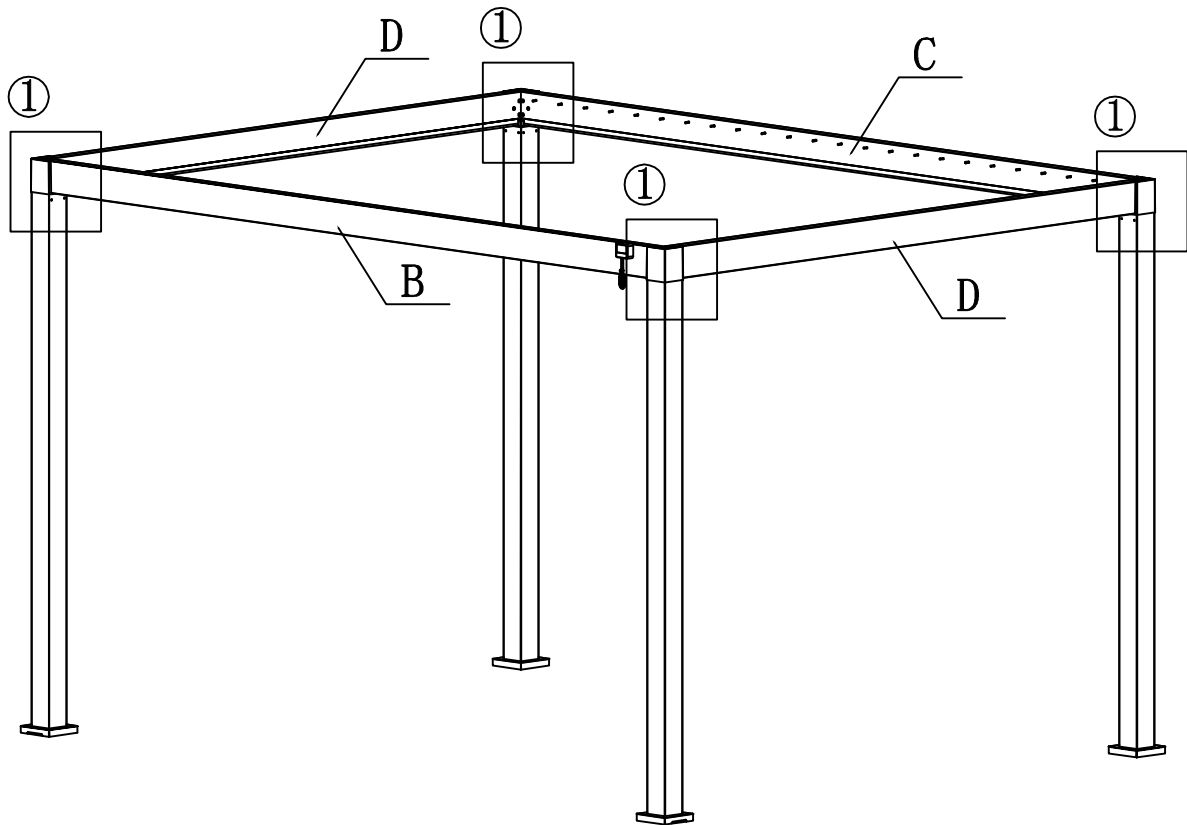


4#

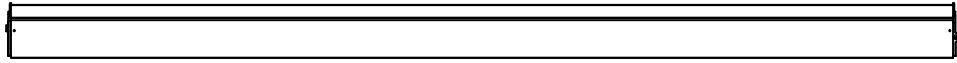
1-1



3#

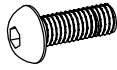


E



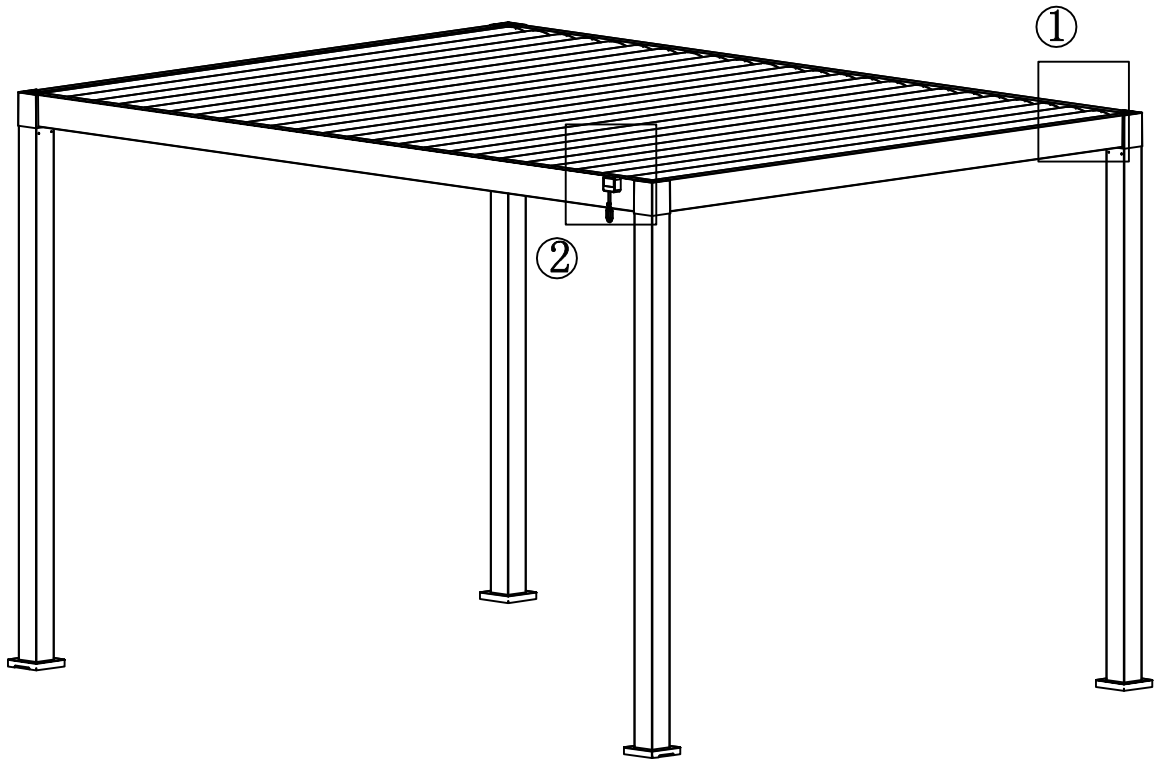
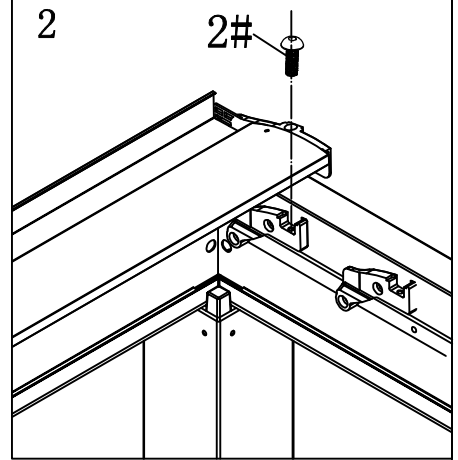
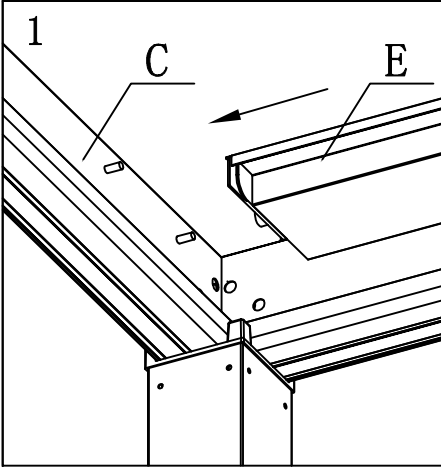
(X24)

2#



M6*20

(X24)





H (X4)

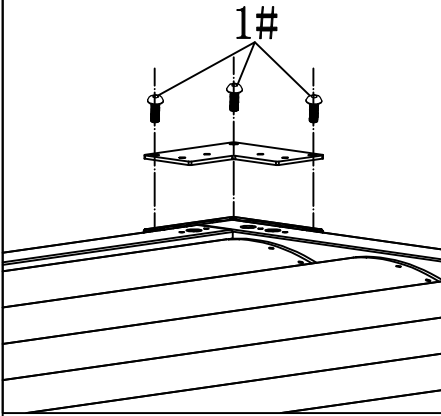


1# (X12)

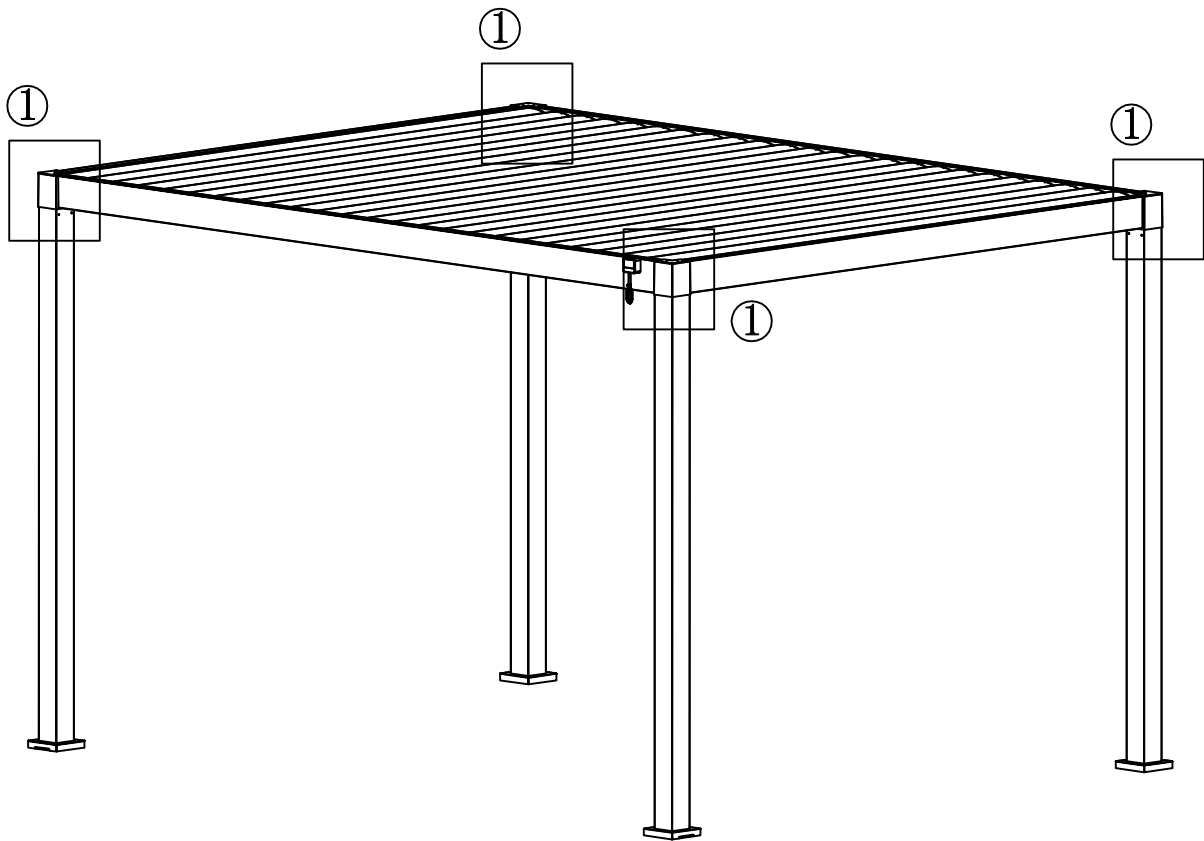
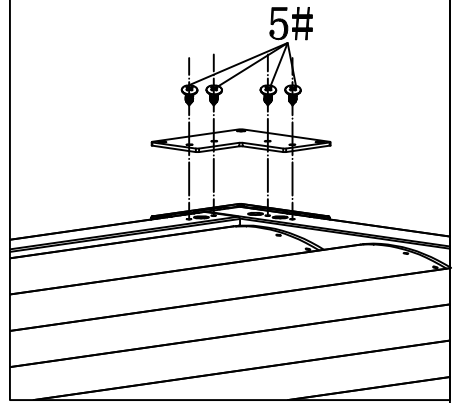


5# (X16)

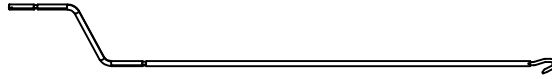
1-1



1-2



J



XI

