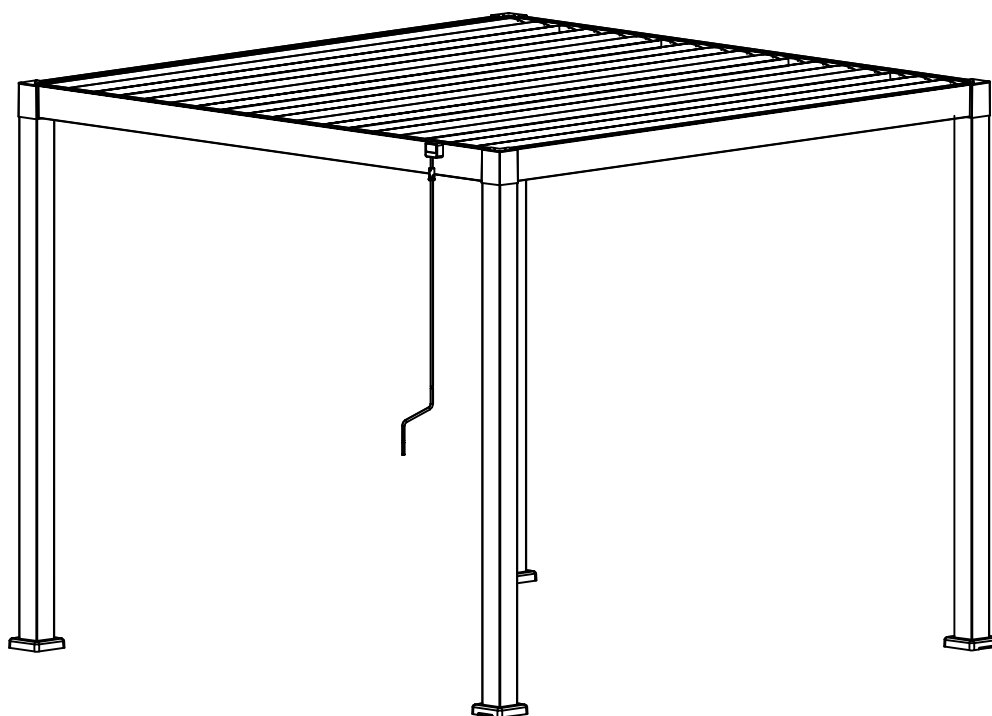
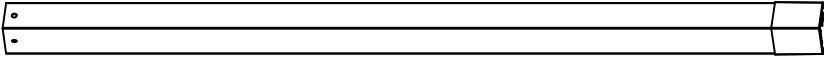



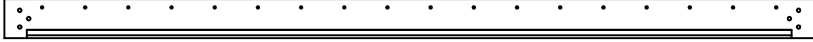

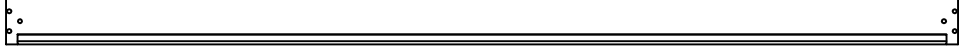

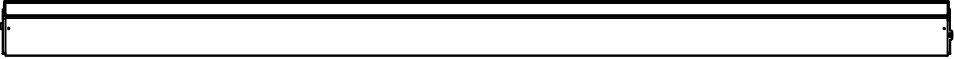





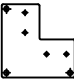







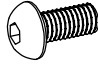
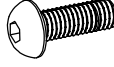

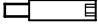
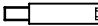



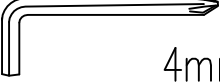
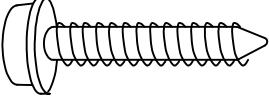
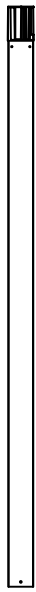


(3*3)



A		
B		
C		
D		
E		
F		
G		
H		
J		
K		
L		

1#		M6*16	(X33+2)
2#		M6*20	(X18)
3#		M8*155	(X12)
4#		M8*55	(X23)
5#		M8*70	(X1)
6#		M5*12	(X16)
7#		$\phi 16 * \phi 7 * 1$	(X1)
	 6mm		(X1)
	 4mm		(X1)
	 M8		(X16)



A (X4)



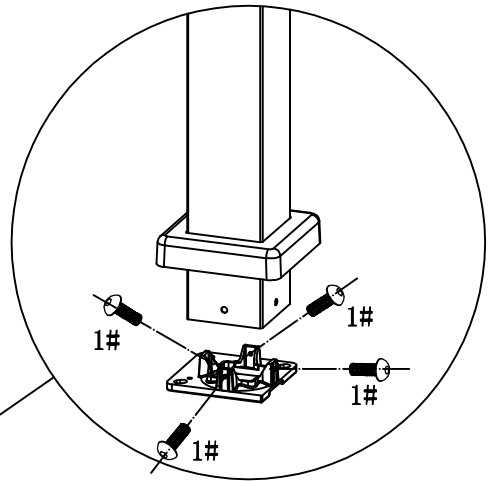
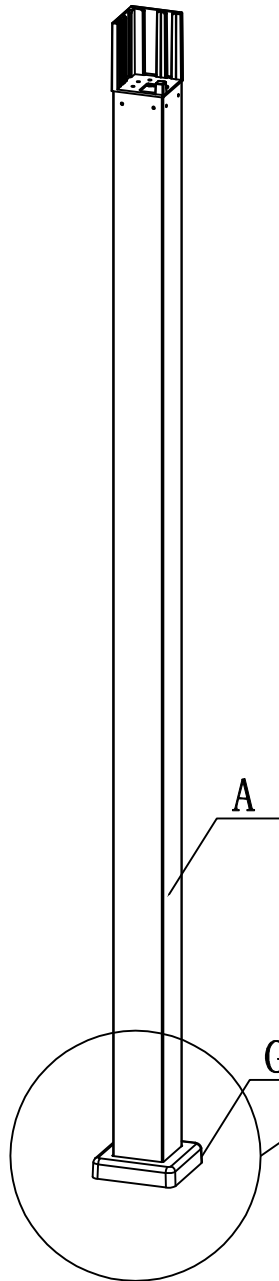
F (X4)



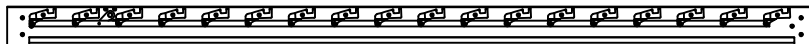
G (X4)



1# (X16)



B



(X1)

J



(X1)

K



(X1)

1#



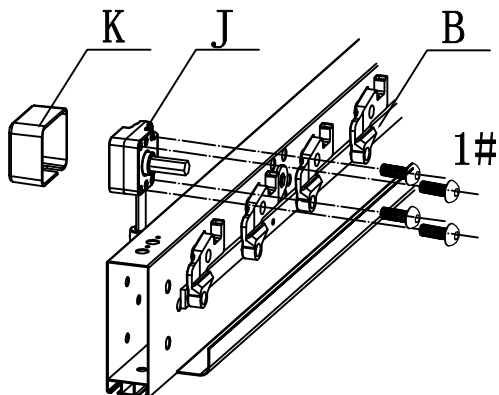
(X5)

7#

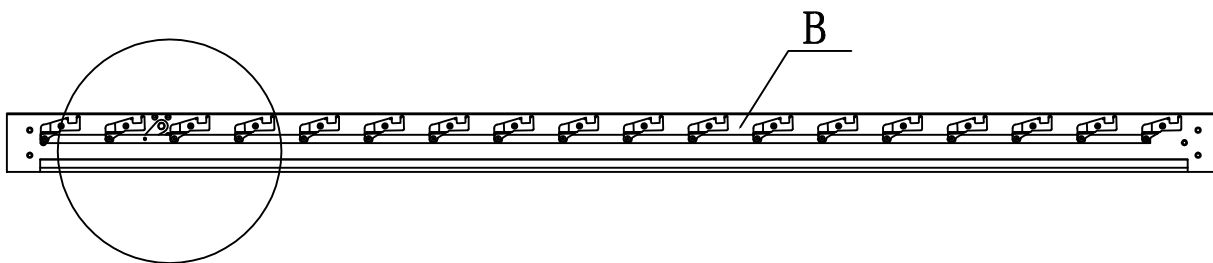
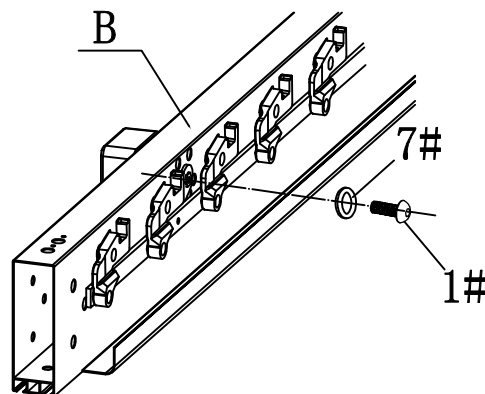


(X1)

1-1



1-2

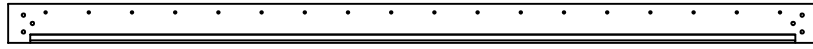


B

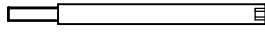


(X1)

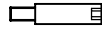
C



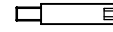
(X1)



3# (X8)

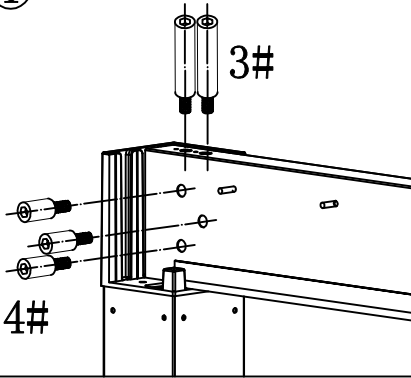


4# (X11)

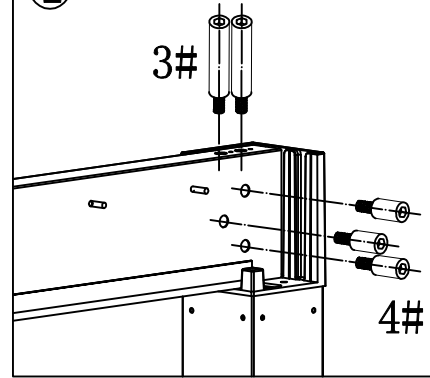


5# (X1)

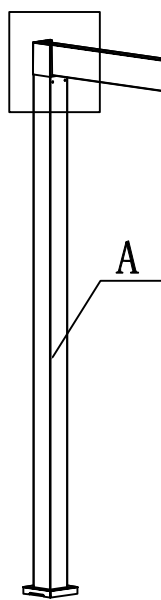
①



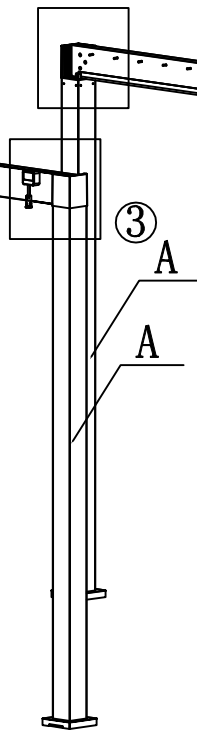
②



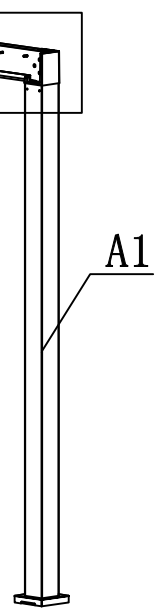
④



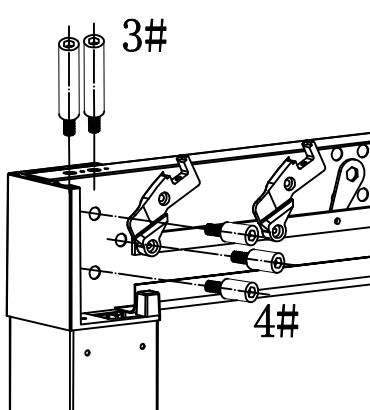
①



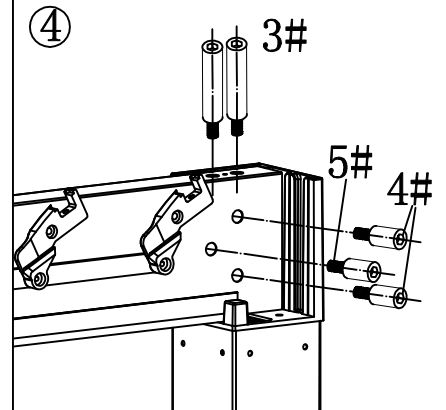
②



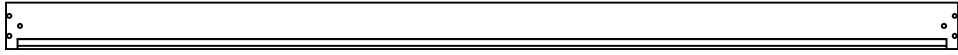
③



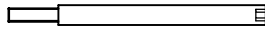
④



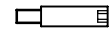
D



(X2)

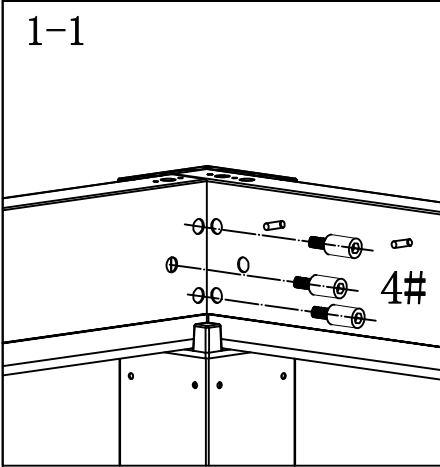


3# (X4)

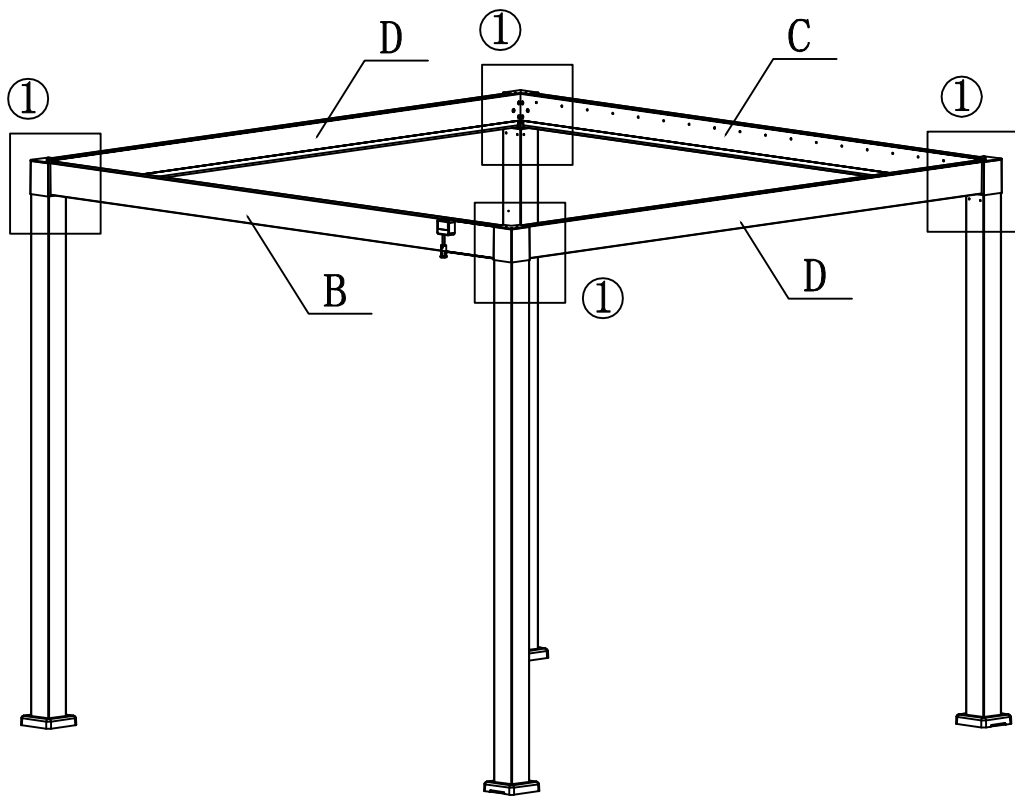
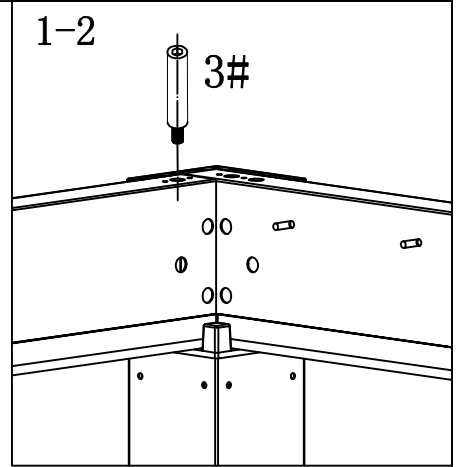


4# (X12)

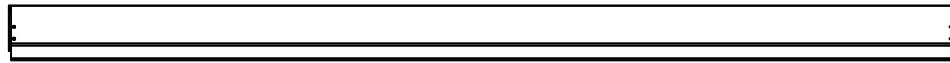
1-1



1-2

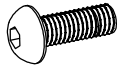


E



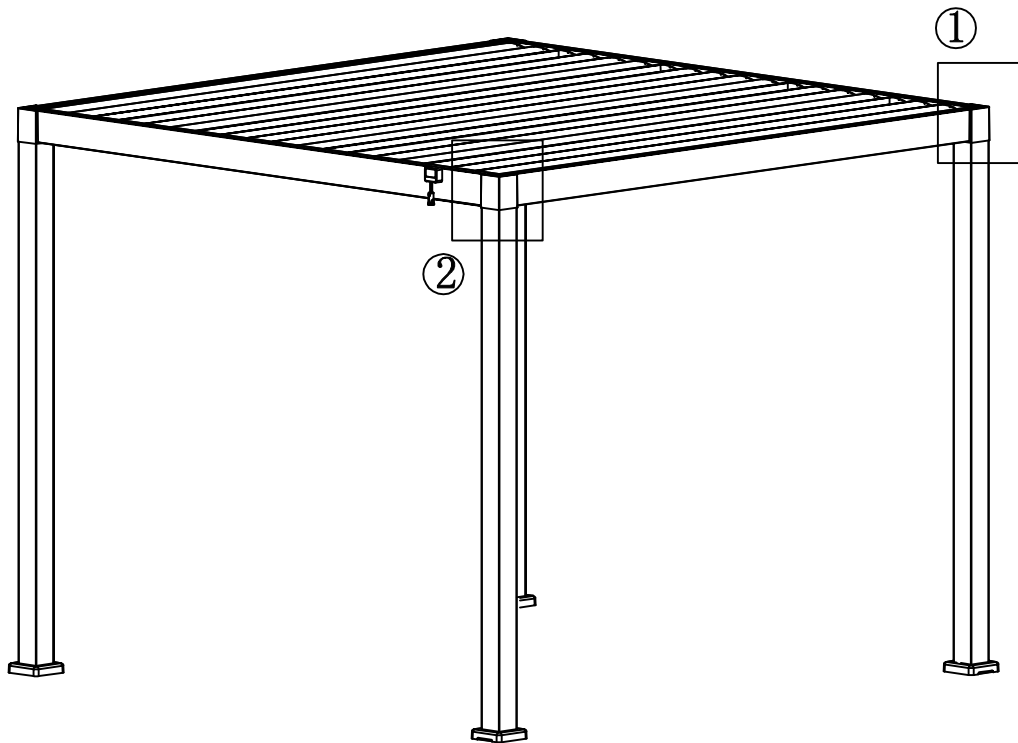
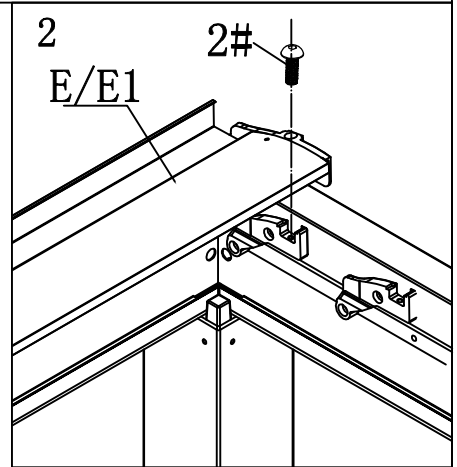
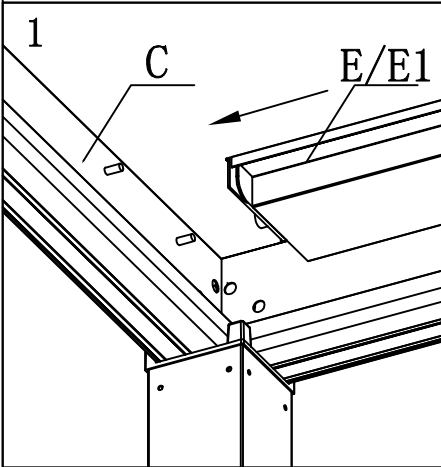
(X18)

2#



M6*20

(X18)





H (X4)

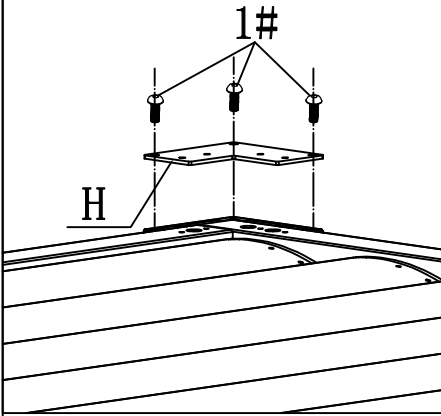


1# (X12)

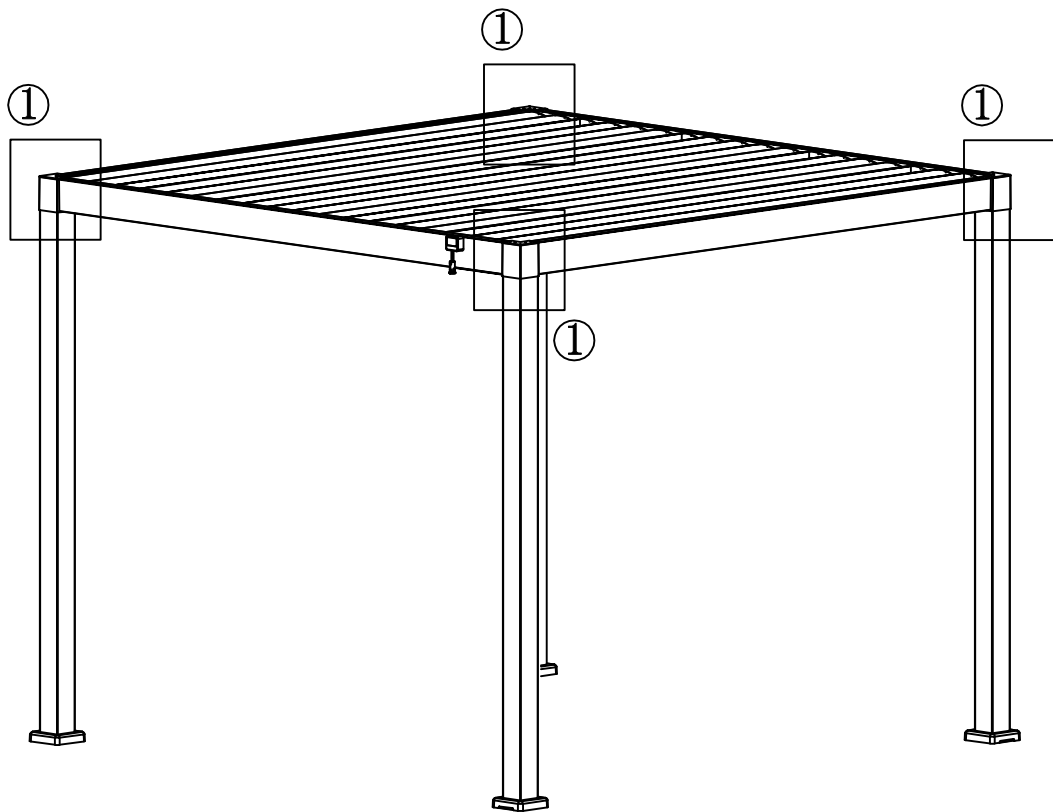
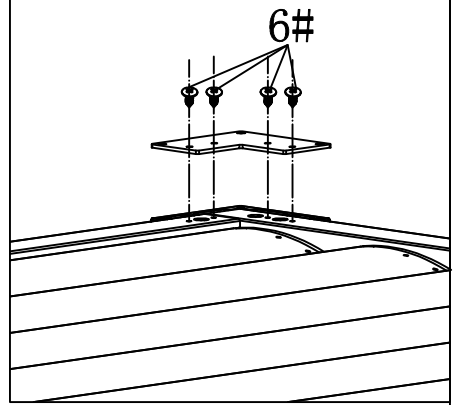


6# (X16)

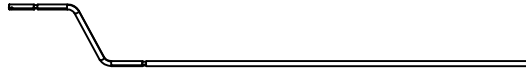
1-1



1-2



J



XI

