



# DRIFT TRIKE

## OWNER'S MANUAL



This manual contains important safety,  
assembly, operation and maintenance information.

**▶ VISIT [WWW.MADDGEAR.COM](http://WWW.MADDGEAR.COM) TO VIEW ASSEMBLY VIDEO.**

Please read and understand this entire manual before allowing child to use this product!  
Please retain this manual for future reference.



# IMPORTANT SAFETY NOTICE



## WARNING



### PRECAUTIONS:

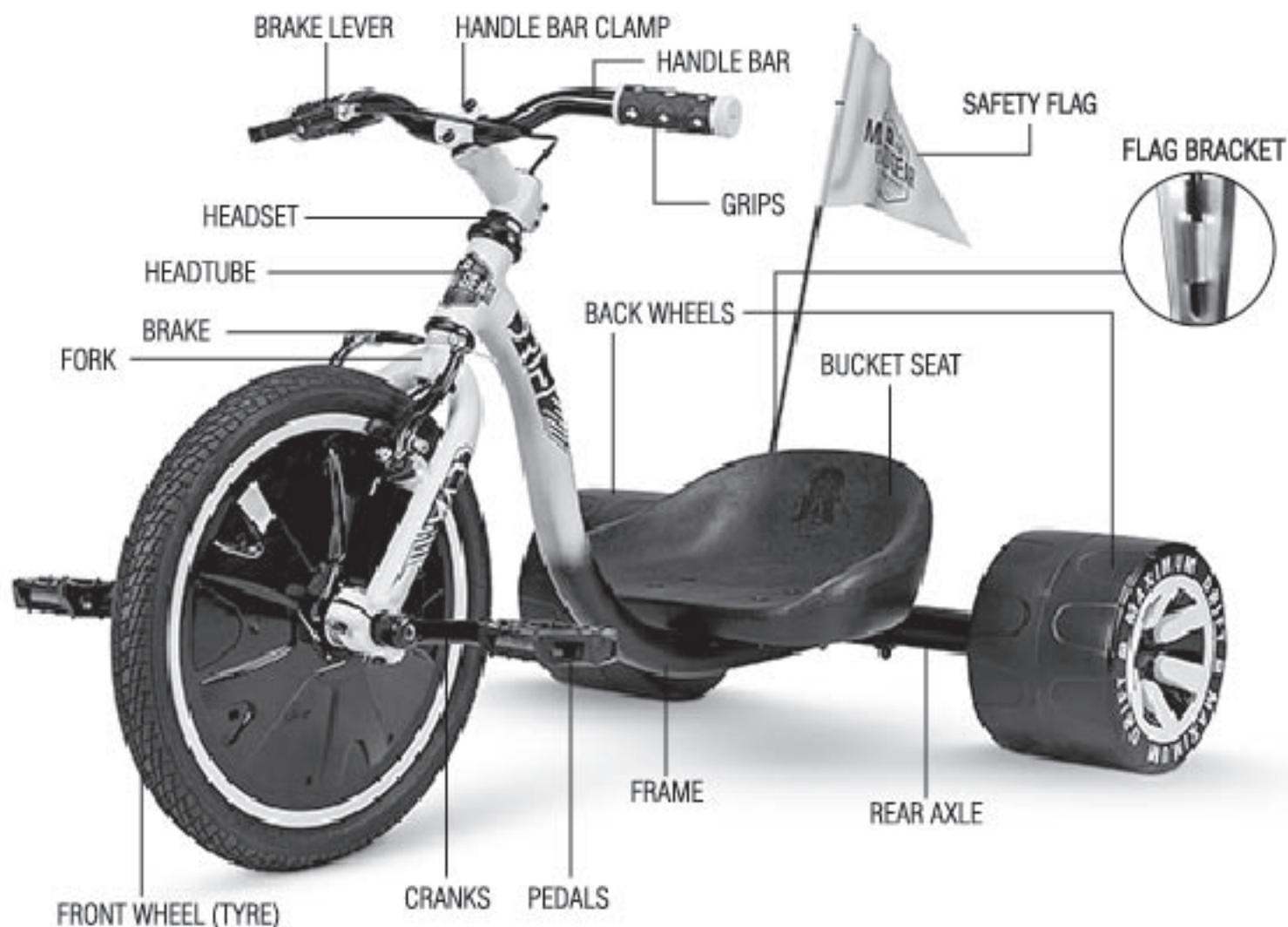
Failure to follow these instructions may result in injury to the rider or to others, or damage to the product. When used and maintained properly, this vehicle can provide safe, enjoyable transportation and recreation. Like any other moving product, riding can be a hazardous activity and it is possible to get into dangerous situations. This vehicle should be used with caution since skill is required to avoid falls or collisions causing injury to the user or third parties. Be sure to read the entire manual before riding. In particular, pay attention to the following notices.

### WARNING TO AVOID SERIOUS INJURY:

- Adult assembly is required. An adult must also make any adjustments to the product that are required.
- CAUTION: Keep small parts necessary for assembly out of children's reach.
- Children must have adult supervision at all times. The supervisor must inspect the vehicle prior to starting to use, making sure that all parts are fully assembled and tightened to prevent accidents.
- This product should not be used by children under the age of 5 years old.
- DO NOT ride with more than 1 person. Maximum weight is 68kgs (150lbs)
- Excessive weight may cause hazardous or unstable conditions.
- Always wear proper protective equipment, such as an ANSI, SNELL, CPSC or ASTM approved helmet, elbow pads, knee pads, long sleeve shirt, gloves, long pants. Always wear a helmet when riding and keep chinstrap securely buckled.
- Always wear fully enclosed shoes, making sure they are done up properly before riding. You must not ride barefoot or in sandals.
- Ride only on flat or level ground. DO NOT ride on streets or roadways. DO NOT use on wet and uneven ground with rocks or gravel. In addition, DO NOT ride product at dusk or night, or in wet or icy conditions. Slippery or wet ground can cause the wheels to slip out of control. Avoid streets and surfaces with water, sand, gravel, dirt, leaves and other debris. Wet weather impairs traction, braking and visibility.
- Always follow and obey all local traffic & riding laws and regulations. Stay away from motor vehicles and watch out for pedestrians.
- DO NOT ride the product on steep slopes, as it can damage the unit or cause brake failure. Riders must be careful when passing such areas. Avoid excessive speeds associated with downhill rides.
- Avoid bumps, curbs, drainage grates and sudden surface changes. Product can be damaged or stop suddenly.
- This product is not intended for jumping.
- Check brake is functioning properly before each use of the product. Brake may be hot after continuous use. DO NOT touch after braking.
- Turn the handlebars left and right to make sure they work properly and smoothly. Also check if the handlebars are fixed sturdily before each ride.
- Replace worn and/or broken parts immediately.
- Make sure all parts are fully assembled and tightened correctly to prevent accidents.
- Check hand grips and bar end regularly to ensure there is sufficient protection and no damage. If damaged they should be replaced immediately. Bare tube ends can cause serious injury.
- DO NOT make any modifications on this product. DO NOT use any attachments that are not included with the product.
- When riding DO NOT use anything that impairs your vision or hearing, for example: headphones.
- DO NOT tow or pull any objects with this product.
- Understand all operating procedures before riding.
- Know your limits. Be familiar with your abilities and use your common sense.
- Injury may occur if the precautions above are not observed.

**IF YOU HAVE ANY QUESTIONS REGARDING THE OPERATION OF THIS PRODUCT, PLEASE REFER TO THIS OWNERS MANUAL OR CONTACT THE DEALERS OR DISTRIBUTORS OF THIS PRODUCT.**

# DRIFT TRIKE COMPONENTS



## INCLUDED PARTS:

- |   |  |
|---|--|
| 1 DRIFT TRIKE ASSEMBLY FRAME              | 1 FLAG MOUNTING BRACKET & BOLT                             |
| 1 REAR AXEL                               | 1 FRONT WHEEL ASSEMBLY                                     |
| 2 REAR AXEL BOLT AND WASHERS              | 2 PEDALS   |
| 2 REAR WHEELS AND WHEEL CAPS              | 2 FRONT WHEEL BEARING COVERS (PRE-ATTACHED TO FRONT WHEEL) |
| 4 REAR WHEEL AXEL BUSHINGS                | 4 FRONT WHEEL AXEL BEARINGS (PRE-ATTACHED TO FRONT WHEEL)  |
| 2 REAR WHEEL NUTS AND WASHERS             | 4 FRONT WHEEL BOLTS (PRE-ATTACHED TO FRONT WHEEL)          |
| 1 HANDLE BAR CLAMP (PRE-ATTACHED TO BARS) | 1 BUCKET SEAT  |
| 2 HANDLE BAR BOLTS AND WASHERS            | 4 BUCKET SEAT BOLTS, WASHERS AND NUTS                      |
|   | 1 SAFETY FLAG  |

## TOOLS INCLUDED



DOUBLE OPEN END WRENCH  
10MM & 15MM



SOCKET WRENCH  
13MM



ALLEN KEY/WRENCH  
5MM

## OTHER TOOLS REQUIRED



PHILLIPS HEAD SCREWDRIVER



FLATHEAD SCREWDRIVER

# DRIFT TRIKE ASSEMBLY

## STEP 1A

### REAR AXLE ROD INSTALLATION

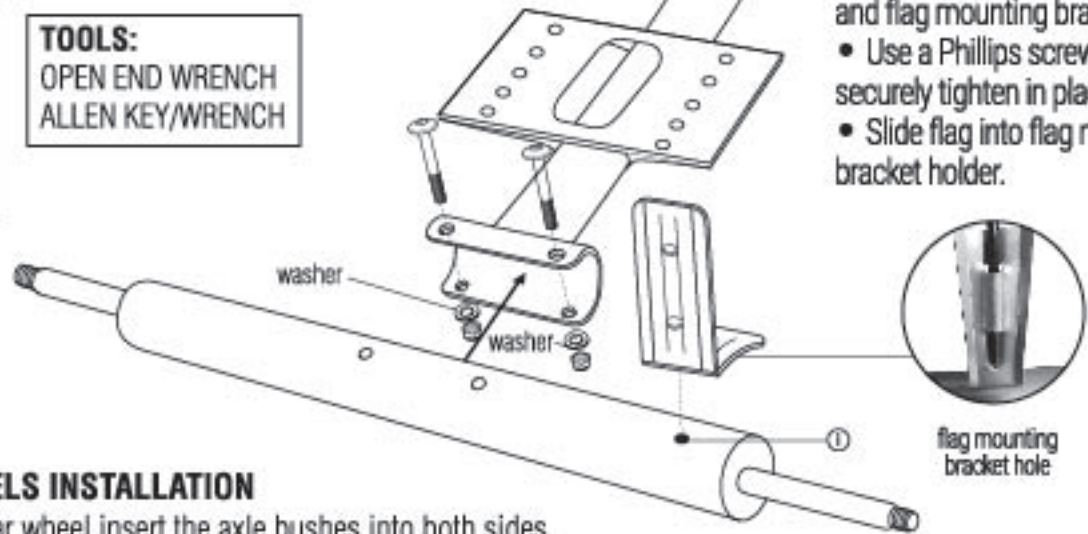
- Slide the axle rod into the frame bracket.
- Make sure the holes in the axle rod are aligned with the holes in the frame bracket.
- Slide the axle bolts all the way through the frame bracket and axle rod.
- Use an allen key and socket wrench to securely tighten in place.

#### PARTS:

BOLTS  
WASHERS  
FRAME  
AXLE ROD

#### TOOLS:

OPEN END WRENCH  
ALLEN KEY/WRENCH



ATTENTION: IF MOUNTING BRACKET DEVELOPS ANY SHARP POINTS OR EDGES DUE TO DAMAGE OR WEAR, REMOVE THE PART IMMEDIATELY AND CONTACT MADD GEAR FOR A REPLACEMENT.

## STEP 1B

### FLAG BRACKET INSTALLATION

- Position the bracket over the bracket hole with lip facing forward.
- Make sure holes are aligned.
- Position the screw into the mount and flag mounting bracket hole.
- Use a Phillips screwdriver to securely tighten in place.
- Slide flag into flag mounting bracket holder.

## STEP 2A

### BACK WHEELS INSTALLATION

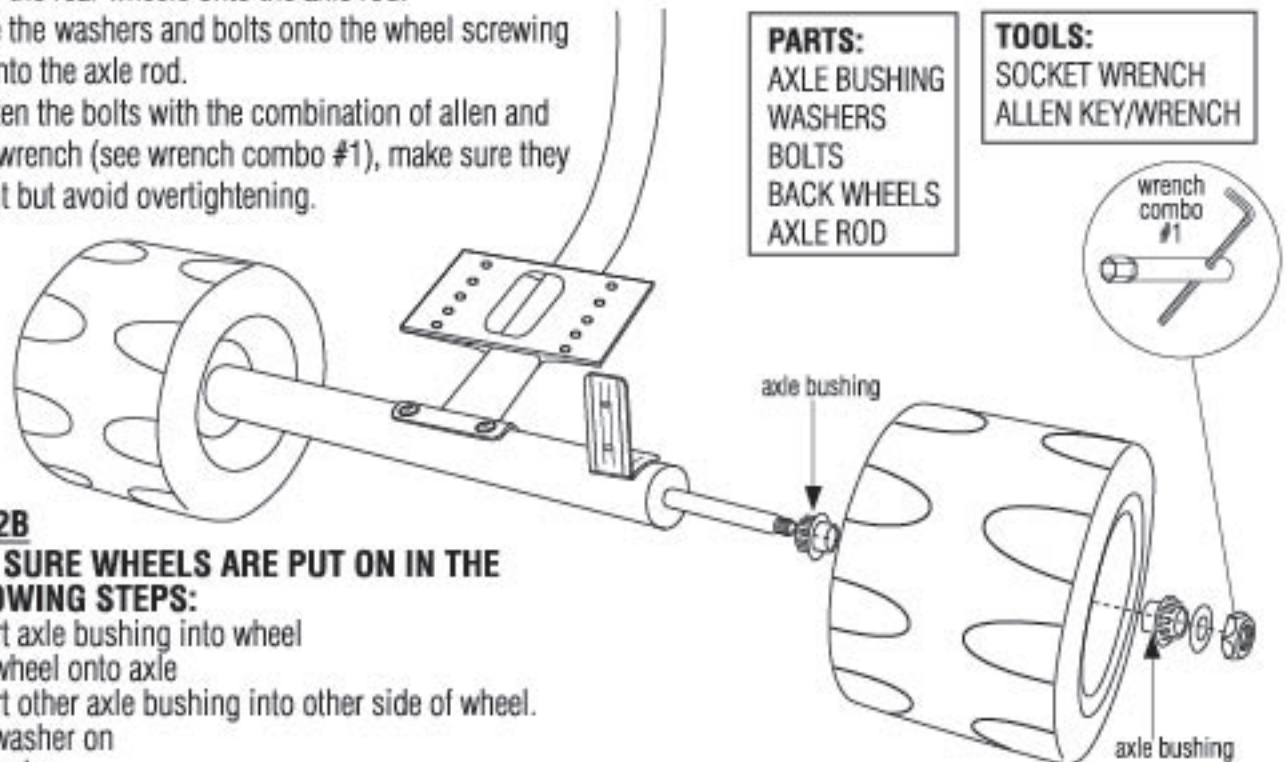
- On each rear wheel insert the axle bushes into both sides of the wheel. There are 2 axle bushes for each wheel, 4 in total.
- Slide the rear wheels onto the axle rod.
- Slide the washers and bolts onto the wheel screwing them onto the axle rod.
- Tighten the bolts with the combination of allen and socket wrench (see wrench combo #1), make sure they are tight but avoid overtightening.

#### PARTS:

AXLE BUSHING  
WASHERS  
BOLTS  
BACK WHEELS  
AXLE ROD

#### TOOLS:

SOCKET WRENCH  
ALLEN KEY/WRENCH



## STEP 2B

### MAKE SURE WHEELS ARE PUT ON IN THE FOLLOWING STEPS:

1. Insert axle bushing into wheel
2. Put wheel onto axle
3. Insert other axle bushing into other side of wheel.
4. Put washer on
5. Put nut on
6. Put wheel cap on

Failure to tighten or install properly may cause loss of control and a fall.  
Failure to understand instructions or concept of tighten securely seek assistance of a qualified mechanic.

# DRIFT TRIKE ASSEMBLY

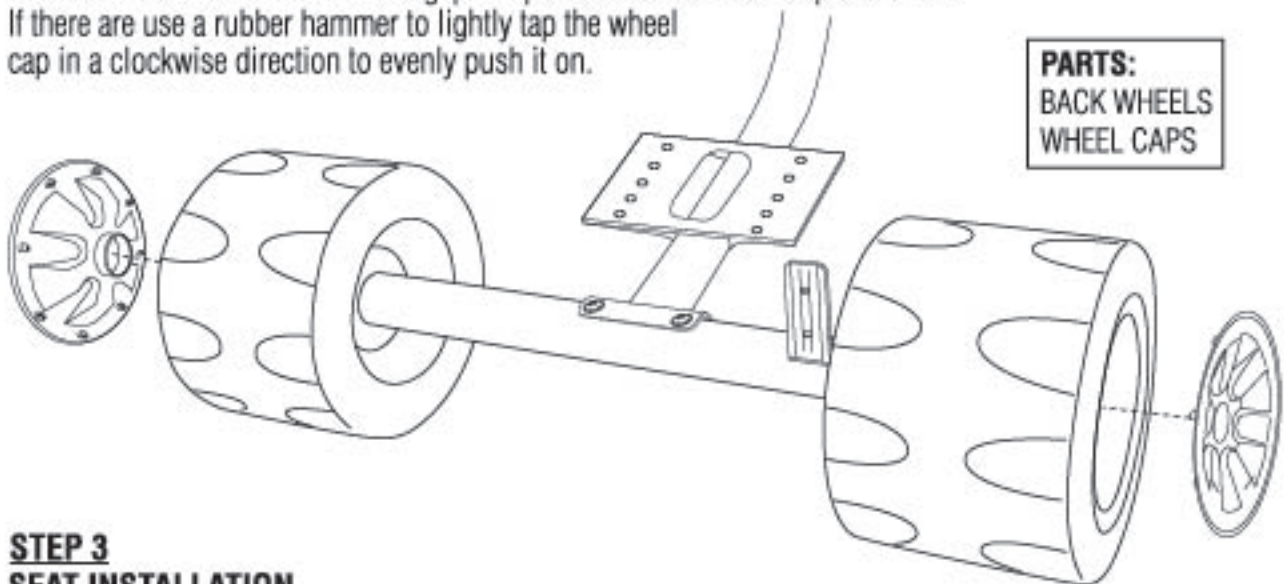
## STEP 2C

### BACK WHEEL CAPS INSTALLATION

\*NOTE: ONCE THE WHEEL CAPS ARE IN PLACE, THEY WILL BE ON PERMANENTLY AND CANNOT BE REMOVED WITHOUT DAMAGING THEM. REPLACEMENT CAPS ARE AVAILABLE FROM THE DISTRIBUTOR AT COST TO THE PURCHASER. ALSO MAKE SURE THAT THE WHEEL CAPS ARE ON SECURELY BECAUSE IF THEY ARE NOT IT MAY CAUSE DAMAGE TO THE PRODUCT AND/OR CAUSE HARM TO RIDER.

- Align the wheel cap pins with the holes on the rear wheels. Make sure they are aligned correctly.
- Press on the cap with your hand to pop the caps into the wheel. Press on it hard and make sure it is secure.
- Once on check that there are no gap or lips between the wheel cap and wheel.

If there are use a rubber hammer to lightly tap the wheel cap in a clockwise direction to evenly push it on.



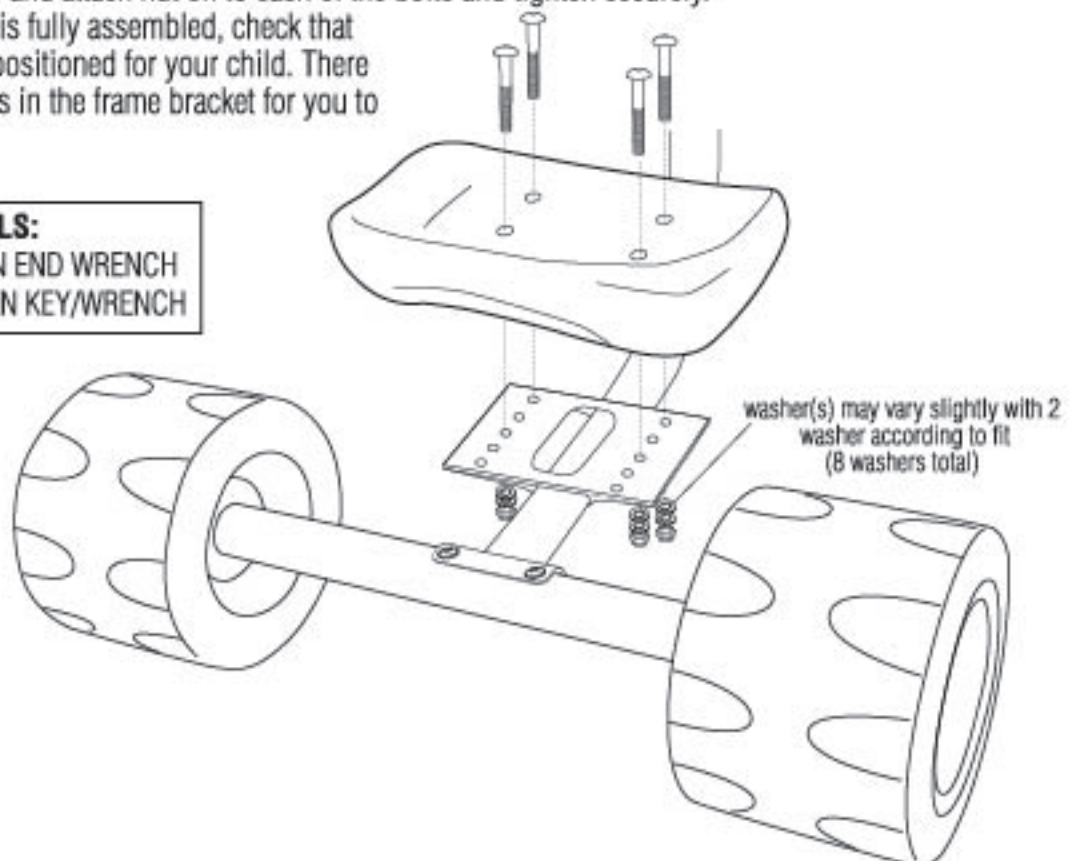
## STEP 3

### SEAT INSTALLATION

- Position seat over the frame bracket holes. Make sure that it is positioned straight.
- Slide bolts through seat and frame bracket to the underneath of the bracket.
- Slide on washer(s) and attach nut on to each of the bolts and tighten securely.
- Once this product is fully assembled, check that the seat is correctly positioned for your child. There are a number of holes in the frame bracket for you to adjust the position.

**PARTS:**  
SEAT  
BOLTS  
WASHERS  
FRAME

**TOOLS:**  
OPEN END WRENCH  
ALLEN KEY/WRENCH



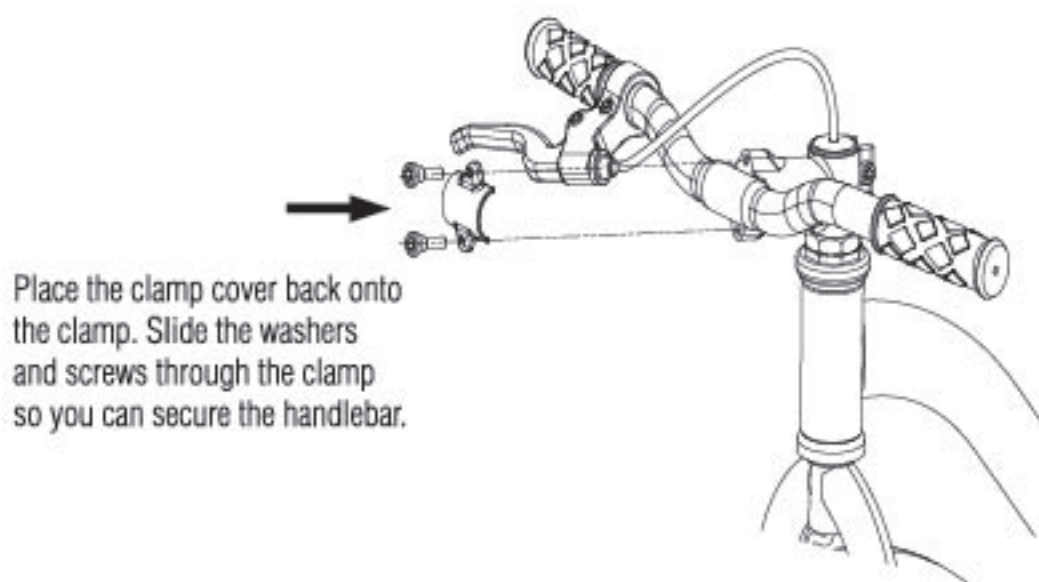
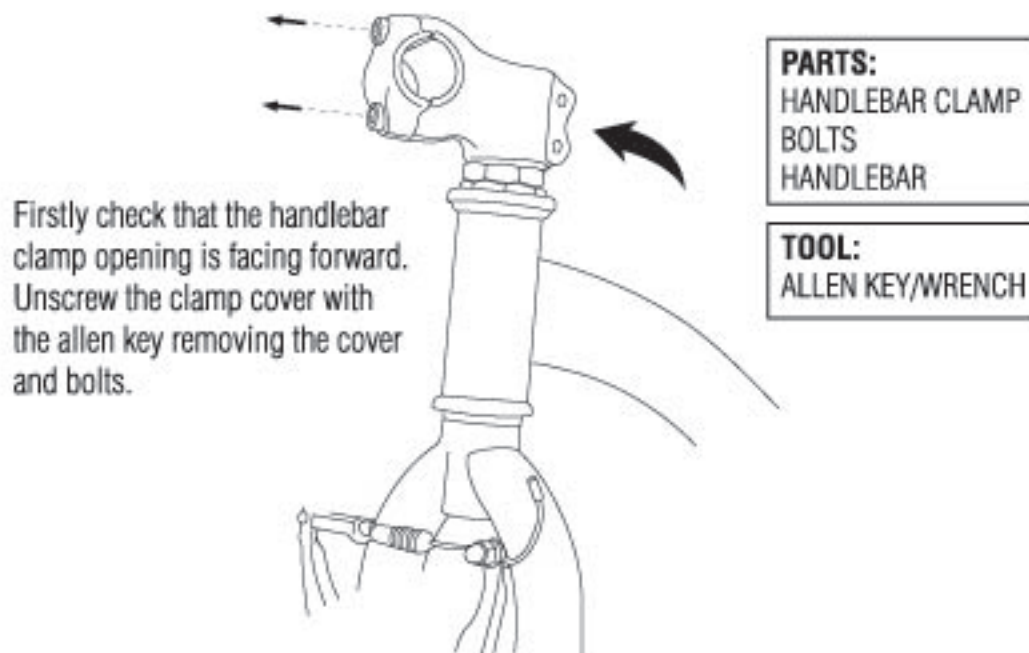
Failure to tighten or install properly may cause loss of control and a fall.  
Failure to understand instructions or concept of tighten securely seek assistance of a qualified mechanic.

# DRIFT TRIKE ASSEMBLY

## STEP 4

### HANDLEBAR INSTALLATION

- Firstly check that the handlebar clamp opening is facing forward.
- Unscrew the clamp cover with the allen key removing the cover and bolts.
- Check that the stem and forks are properly aligned.
- Place the handlebar into the clamp, making sure it is centred.
- Place the clamp cover back onto the clamp.
- Slide the washers and screws through the clamp so you can secure the handlebar.
- Hand tighten the screws so you can adjust the position of the handlebar to suit the rider.
- Tighten the screws securely and evenly.
- Make sure that the handlebar does not move in the handlebar clamp.



Failure to tighten or install properly may cause loss of control and a fall.  
Failure to understand instructions or concept of tighten securely seek assistance of a qualified mechanic.

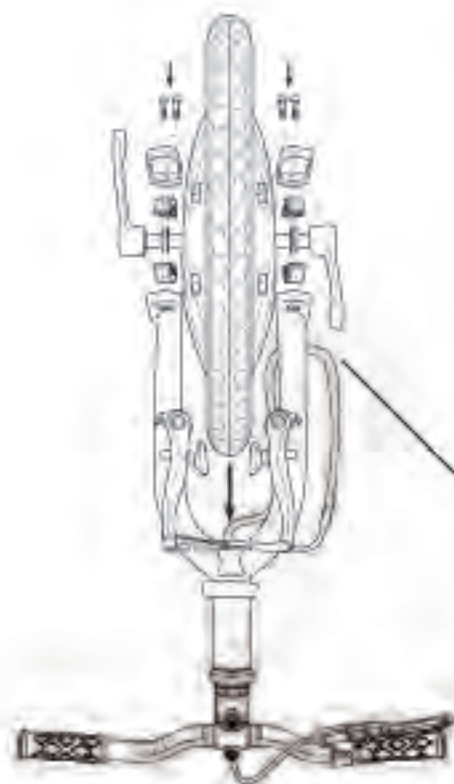
# DRIFT TRIKE ASSEMBLY

## STEP 5

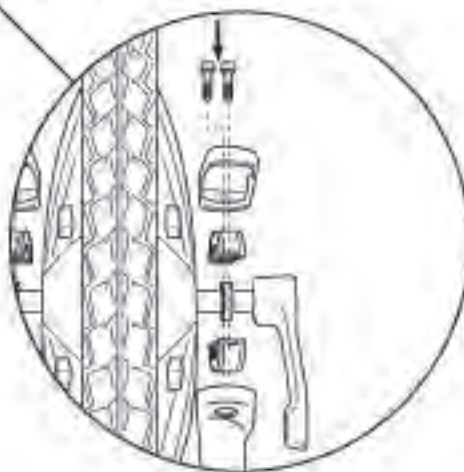
### WHEEL INSTALLATION

MAKE SURE THAT THERE IS ENOUGH SPACE FOR THE WHEEL TO FIT THROUGH THE BRAKE. YOU MAY HAVE TO SQUEEZE THE BRAKE LEVERS TOGETHER.

- Begin by turning the unit upside down.
- Slide the bearing covers into each fork end.
- Place the wheel into the fork so the bearings on the cranks align with the bearing covers in the fork.
- Place the other bearing covers on top of the axle bearings.
- Place wheel retainer on each fork end.
- Screw 2 bolts into each of the wheel retainers through the fork ends.
- Fasten the bolts securely and evenly. Make sure the wheel spins easily.



▶ View the video at [www.madgear.com](http://www.madgear.com)



#### PARTS:

FORK  
FRONT WHEEL  
BEARING COVERS  
CRANKS  
AXLE BEARINGS  
WHEEL RETAINERS  
BOLTS

#### TOOL:

ALLEN KEY/WRENCH

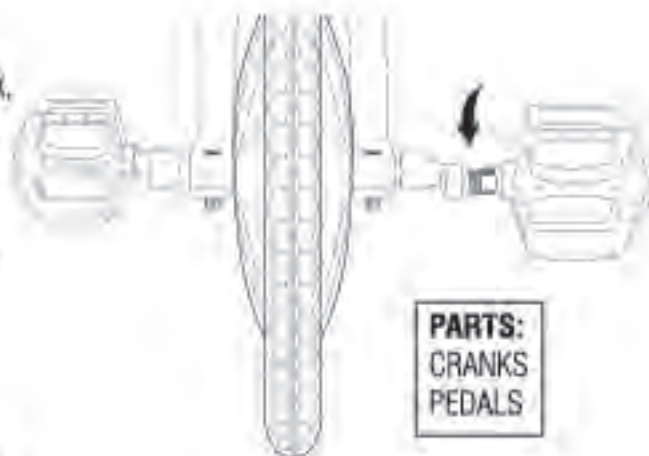
## STEP 6

### PEDAL INSTALLATION

**NOTE: THE PEDALS WILL BE MARKED ONE WITH AN "R" AND ONE WITH AN "L".**

- The pedal marked "R" will match up with the right side crank, which also has an "R". This has the right hand threads. Insert the pedal into the correct crank and tighten in a clockwise direction.
- The pedal marked "L" will match up with the left side crank, which also has an "L". This has the left hand threads. Insert the pedal into the correct crank and tighten in a anti-clockwise direction.
- Make sure both pedals are threaded fully into the crank.

Tighten the pedals with the double open end wrench to ensure they do not come loose.



#### PARTS:

CRANKS  
PEDALS

**"L" PEDAL WILL SCREW IN ANTI-CLOCKWISE AND IS REVERSE THREADED.  
"R" PEDAL WILL SCREW IN CLOCKWISE AND IS THREADED NORMALLY.  
MAKE SURE THAT THE CORRECT PEDAL IS IN THE CORRECT CRANK.**

Failure to tighten or install properly may cause loss of control and a fall.  
Failure to understand instructions or concept of tighten securely seek assistance of a qualified mechanic.

# DRIFT TRIKE ASSEMBLY

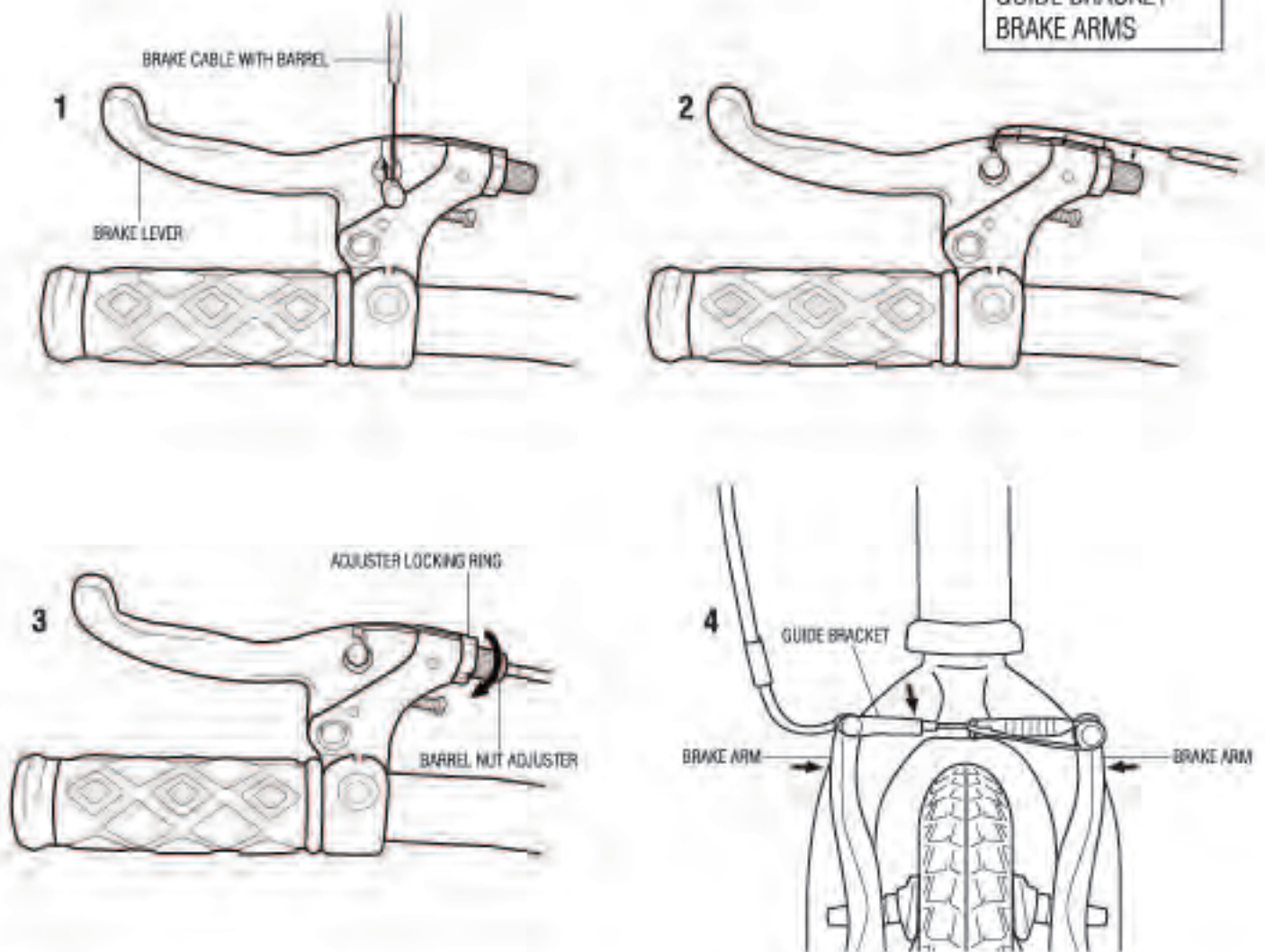
## STEP 7A

### BRAKE SETUP

**WARNING:** ALWAYS CHECK YOUR BRAKES BEFORE RIDING.

- Check that the cable channel is all aligned.
- Insert brake cable barrel into brake lever groove (1).
- Feed the cable through the cable channel (2).
- Once the cable is fed through the adjuster locking ring and barrel nut adjuster. Turn the adjuster locking ring so it is away from the brake lever channel. Then tighten the barrel nut adjuster (3).
- Squeeze the two brake arms on either side of the wheel together (4).
- Insert the cable & cable guide into the guide bracket (4). Make sure it is securely seated in the guide bracket.
- Make sure that there is no gap in the brake lever. Also check the cable and cable sheaths are securely placed and correct.

**PARTS:**  
BRAKE CABLE  
BRAKE LEVER  
GUIDE BRACKET  
BRAKE ARMS



Failure to tighten or install properly may cause loss of control and a fall.  
Failure to understand instructions or concept of tighten securely seek assistance of a qualified mechanic.



# DRIFT TRIKE ASSEMBLY

## STEP 7B

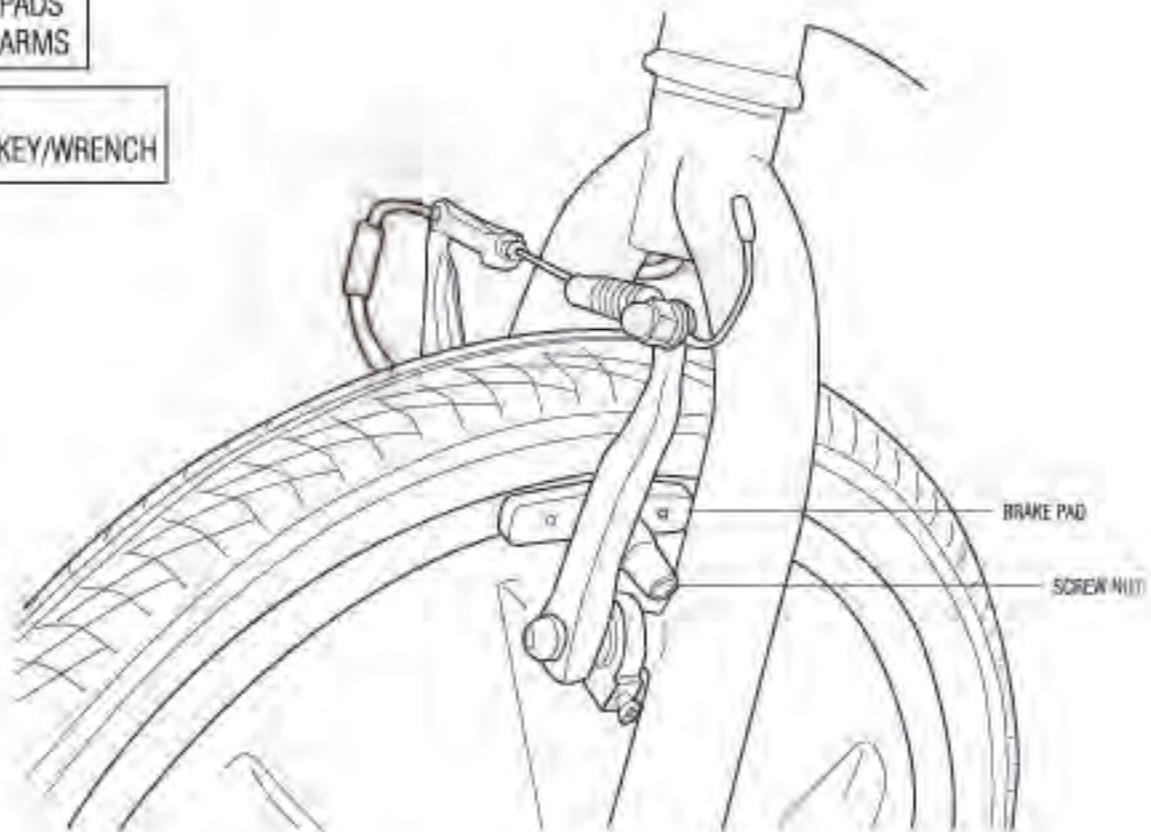
### BRAKE SETUP - CONTINUED

Check that the brake pads are in the correct position. Note that there is a brake pad on either side of the wheel. If they are in the incorrect position please do the following:

- Loosen the screw nut on each of the brake pads.
- Adjust each of the brake pads so that they are aligned with the curve of the rim and flat against it.
- Make sure that the brake pads are not rubbing against the tyre.
- Hold each brake pad in the correct position and tighten the screw nut with an allen key.
- Test out the brake pads by trying to move them out of position.
- If the brake pads move repeat the previous steps but tighten the screw nut tighter than previously. Then test again until there the position of the brake pads doesn't move.

**PARTS:**  
BRAKE PADS  
BRAKE ARMS

**TOOL:**  
ALLEN KEY/WRENCH



Failure to tighten or install properly may cause loss of control and a fall.  
Failure to understand instructions or concept of tighten securely seek assistance of a qualified mechanic.

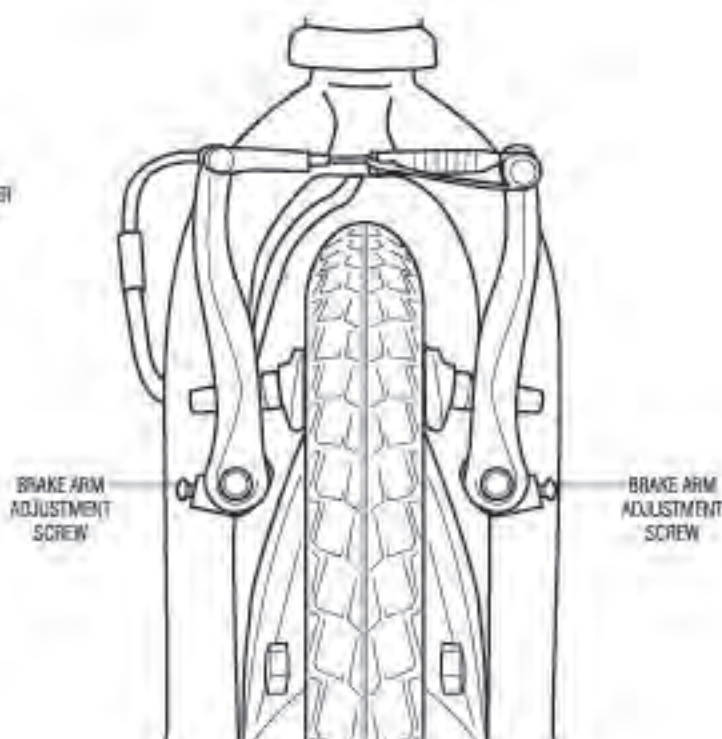
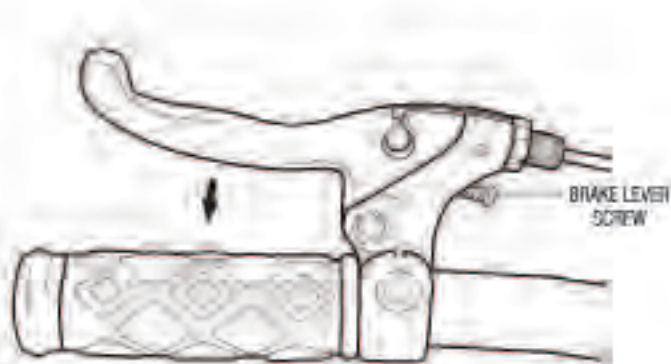
# DRIFT TRIKE ASSEMBLY

## STEP 7C

### BRAKE SETUP - CONTINUED

Check that the brake pads are also the correct distance from the rim. There are a few things you can do to check that brake pads and brakes in general are operating properly. Spin the front wheel and squeeze the brake lever a few times. Apply firm pressure to the brake lever. Look at the brake pads and make sure that the brake cable is not moving in the cable clamp. If the brake is not functioning correctly, please do the following:

- Firstly check that the brake lever is to a comfortable distance for the rider. The distance can be adjusted with the brake lever screw. By screwing it in, it will push the lever closer to the grip.
- Check that the sheaths on the brake cable are placed correctly.
- Check that the position of the brake pads. We recommend they are approximately 1.6mm (1/16 inch) away from the rim.
- If the distance of the brake pads need adjusting, turn the brake arm adjustment screws in or out.
- If the brake pads cannot be positioned properly from the rim, hold the brake pads against the rim and loosen the brake cable clamp bolt.
- Squeeze the brake arms together and slightly pull or loosen the cable wire.
- Tighten the brake cable clamp bolt. DO NOT overtighten the brake cable clamp bolt, as it may damage or even cut the brake cable. This may cause brake failure.
- Check brake operates correctly. If the brake does not operate properly, repeat the process.



#### PARTS:

BRAKE LEVER  
BRAKE PADS  
BRAKE ARMS  
SCREWS

#### TOOL:

FLAT HEAD OR  
PHILIPS HEAD  
SCREWDRIVER

Failure to tighten or install properly may cause loss of control and a fall.  
Failure to understand instructions or concept of tighten securely seek assistance of a qualified mechanic.

# DRIFT TRIKE ASSEMBLY

## STEP 8

### TYRE INFLATION

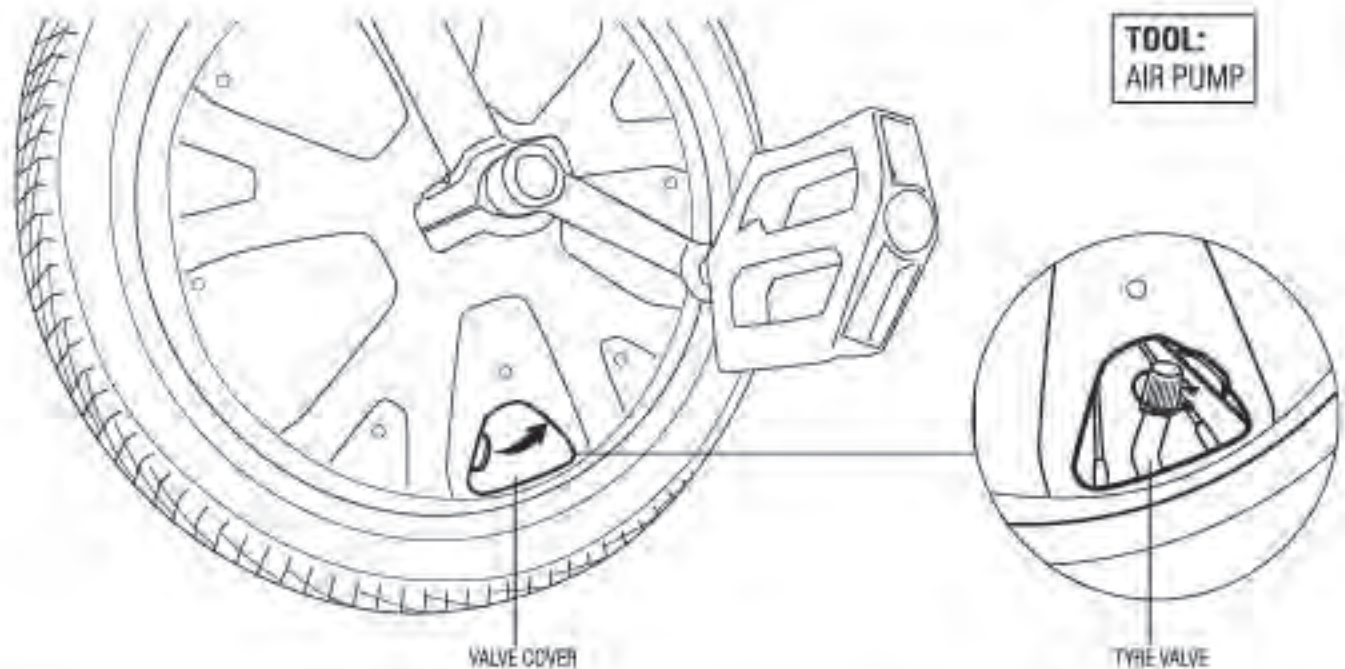
**WARNING:** Do not ride or sit on the trike if a tyre is under inflated. This can damage the tyre, inner tube and rim.

Inflating the Tyre:

- Recommended to use a hand or a foot pump to inflate the tyre.
- Most service station meter-regulated air hoses are also acceptable.
- The maximum inflation pressure is shown on the tyre sidewall.

Locate the valve cover on the wheel cover, push in and slide the cover back to expose tyre valve.

To loosen the valve cap turn the cap clockwise and to tighten turn the cap anti-clockwise. Pump the tyre up to the recommended pressure and that the tyre is not under inflated. Before adding air to the tyre, make sure the edge of the tyre (the bead) is the same distance from the rim, all around the rim, on both sides of the tyre. If the tyre does not appear to be seated correctly, release air from the inner tube until you can push the bead of the tyre into the rim where necessary. Add air slowly and stop frequently to check the tyre seating and the pressure, until you reach the correct inflation pressure. Close the valve and valve cover once the tyre is satisfactorily inflated.



Failure to tighten or install properly may cause loss of control and a fall.  
Failure to understand instructions or concept of tighten securely seek assistance of a qualified mechanic.

# MAINTENANCE

**WARNING: IF ANY PART OF THE PRODUCT IS NOT OPERATING PROPERLY THEN DISCONTINUE USE.**  
**WARNING: DO NOT USE PRODUCT IF FRONT TYRE IS UNDER INFLATED. THIS CAN CAUSE DAMAGE TO THE TYRE AND THE INNER TUBE.**

Regular maintenance is required to make sure that this product remains operating properly.

Wipe clean the product with a damp cloth to remove dirt and dust. This will extend the life of this product. DO NOT use industrial cleaners or solvents as they may damage the surfaces. DO NOT use alcohol, alcohol based or ammonia based cleaners as they may damage or dissolve some components or soften the decals or decal adhesive.

Check all screws and fasteners. Make sure all components are assembled and secured sturdily before each use. Adjust and tighten any that are loose. Replace any screws or fasteners that are damaged.

If any part of this product does not function properly then discontinue use until the part is replaced or fixed.

In general, it is suggested to disassemble and clean this product every 6 months, and to add lubricant on moving parts. Please make sure that the parts specifications are correct with the dealers if some parts need to be replaced.

On a regular basis, check the tyre pressure as tyres slowly lose air over time. If the tyre is under inflated the use of the product can cause damage to it. For extended storage, keep weight off the front tyre.

DO NOT use unregulated air hoses to inflate tyres. They may cause suddenly over inflation and damage the tyre. Recommended to use hand or foot pump to inflate. Most service station meter-regulated air hoses are also acceptable. Maximum inflation pressure shown on tyre sidewall.

Make sure that the bead of the tyre is sitting correctly. If does not appear correct, release air from the inner tube and push the bead of the tyre into the rim where necessary. Then inflate slowly to make sure it is correct and you reach the right inflation pressure.

Replace any damaged or worn tyre or wheel.

The rear wheels are blow moulded treads which are designed for stability and safety. The wear rate of these wheels depends on the surfaces that this product is used on, and also the harshness of its use.

Copyrights: In countries where Madd Gear products are sold, Madd Gear has registered and pending trademarks as well as reputational rights. In some countries there may also be Registered Design and Patent rights applying. Madd Gear protects this Intellectual Property vigorously. For more information, contact Madd Gear head office.

Please retain address information for future use.

**MADD GEAR AUSTRALIA**  
MADD GEAR AUSTRALIA  
54 KIRKHAM ROAD, DANDENONG SOUTH, VICTORIA, 3175, AUSTRALIA  
EMAIL: SALES@MADDGEAR.COM

**MADD GEAR UK & IRELAND**  
DISTRIBUTED BY J & R SPORTS LIMITED  
VESTY BUSINESS PARK, AINTREE, MERSEYSIDE, L30 1NY, UK  
EMAIL: SALESUK@MADDGEAR.COM  
**CUSTOMER SERVICE**  
EMAIL: UKSUPPORT@MADDGEAR.COM

**MG DISTRIBUTORS LIMITED (NZ)**  
147 CAPTAIN SPRINGS RD, ONEHUNGA, AUCKLAND 1061  
EMAIL: SALESNZ@MADDGEAR.COM

**MADD GEAR LLC USA**  
5780 WEST OAKLAND STREET, CHANDLER, AZ 85226, USA  
EMAIL: SALESUSA@MADDGEAR.COM

**MADD EUROPE GMBH**  
DISTRIBUTED BY SK8TE4U SPORTS PRODUCTION GMBH  
MAX-BORN-STRASSE 2, 53775 HENNEF, GERMANY  
EMAIL: SALES EU@MADDGEAR.COM



[WWW.MADDGEAR.COM](http://WWW.MADDGEAR.COM)

ITEM NO: 206-873, 206-879, 206-889, 206-890

MAXIMUM USER WEIGHT: 68KGS (150LBS)

FOR AGES: 5 YEARS +

MADE IN CHINA

ANSI Z315.1 - 2012

EN71 - 1,2,3