

COMPONENTS (INCLUDED IN BOX)

CANOPY SECTION COMPONENTS



BASE SECTION COMPONENTS



ASSEMBLY INSTRUCTIONS

1. ASSEMBLING THE CANOPY SECTION

A. Slide the 'T' and 'J' joiners onto separate support poles, spacing the joiners evenly as shown.



B. Insert side frames into the support poles. The support pole housing the 'T' joiners should be closest to the side frame bend.



C. Insert the U frames onto the ends of both side frames.



D. Drill and fasten the CANOPY SECTION frame at the points indicated, using the illustrations as a guide.



E. Lay out the canopy fabric topside down and place the inverted frame over it. Lace nylon cord through the eyelets and frames, Ensure its evenly threaded and tight.

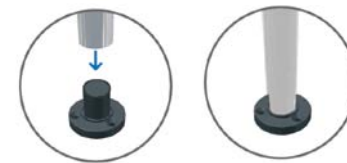


2. ASSEMBLING THE BASE SECTION

A. Join the front and back uprights using the small side crossbar to form two "H frames".



B. Connect the two "H Frames" using the large cross bar. The connector must be cut to the width of your console + 95mm.



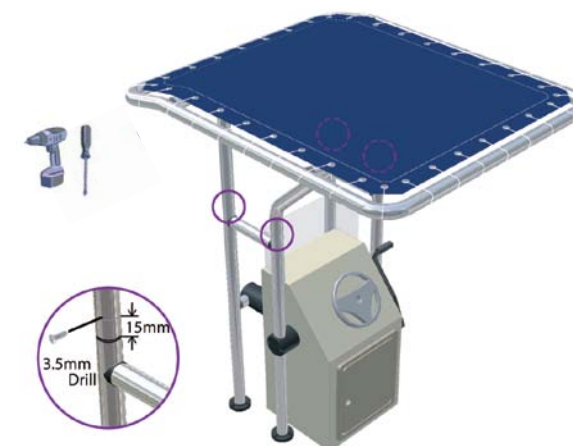
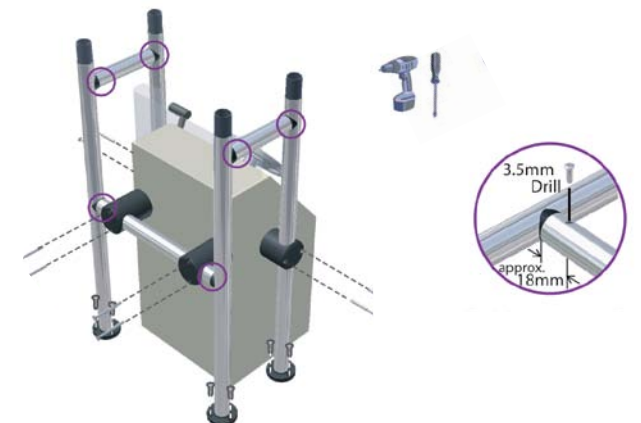
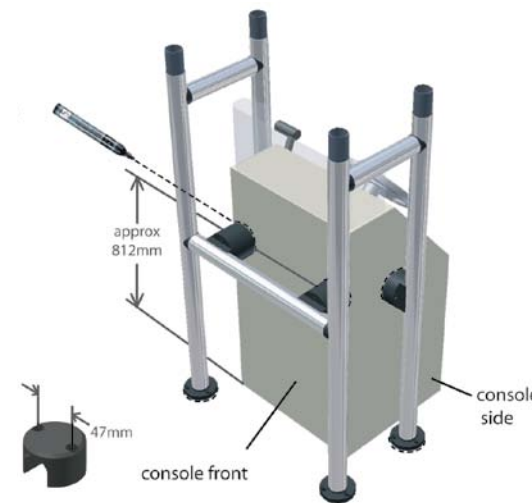
C. Attach the base mounts to the frame.

3. MOUNTING THE BASE SECTION

A. Mark the locations where you will fit the mounts on the front of your console (Placing them as far apart as possible). Mark the console side mounts position (as high as possible).

B. Mark and drill positions for all side mounts.

- Attach mounts loosely, using 1/4" screws (Supplied) to hold frame in place while fastening base mounts into position.
- Drill through base mounts to secure BASE SECTION to boat floor (Screws not supplied)
- To finish assembly of BASE SECTION tighten all side mounts and secure crossbars using self tapping screws (supplied) (As shown in the diagram).



C. Attach the CANOPY SECTION to the BASE SECTION. Secure permanently using self tapping screws (supplied) (As shown in the diagram)