

Clergy Shirt Size Guide

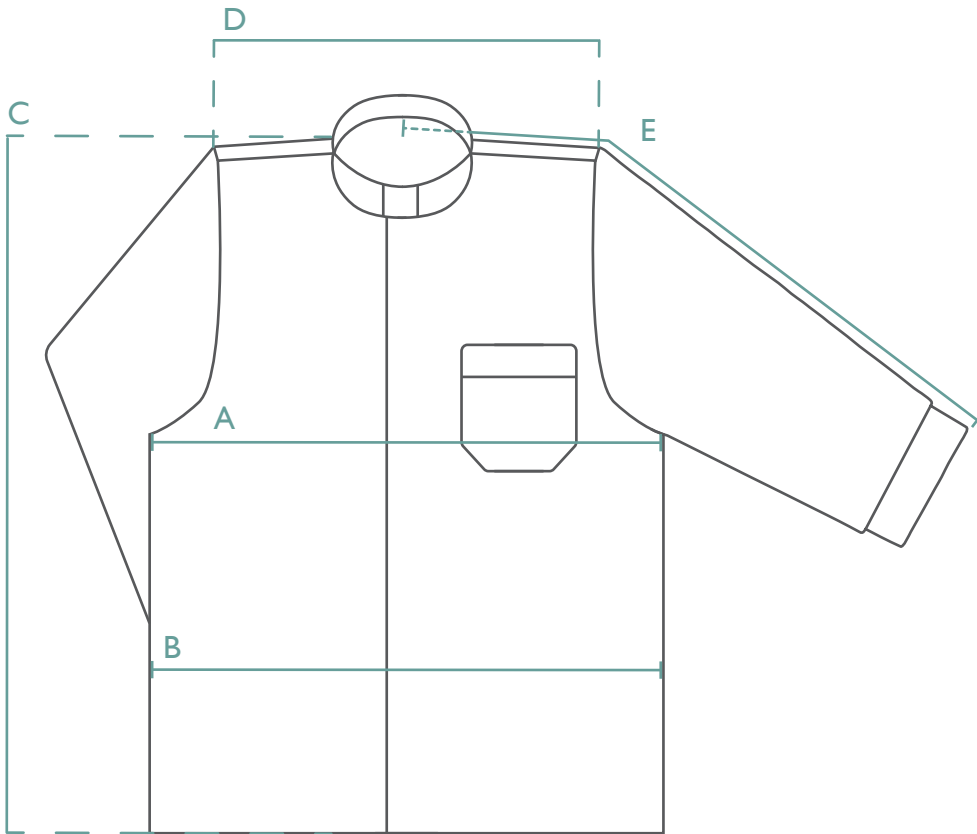
The measurements of your shirt are determined by the collar size. All other measurements are given as a reference only, to help you choose the correct size.

Collar Size	Chest	Waist	Shirt Length	Shoulder	Regular Sleeve	Long Sleeve
15"	38"	32"	32"	19"	33"	35"
15 1/2"	40"	34"	32"	20"	33"	35"
16"	42"	36"	33"	21"	33"	35"
16 1/2"	44"	38"	33"	21"	33"	35"
17"	46"	40"	34"	22"	34"	36"
17 1/2"	48"	42"	34"	22"	34"	36"
18"	50"	44"	34"	23"	34"	36"
18 1/2"	52"	46"	35"	23"	34"	36"

Please ensure that the size of the shirt is suitable for you. For example, if you have a larger stomach you may need to choose a bigger collar size.

If you have any questions at all please do not hesitate to get in touch so a colleague can assist.

How to Measure



To ensure that you are choosing the correct size for you, please measure yourself using our guide below.

A - Chest: Measure under the arms and around the fullest part of the chest.

B - Waist: Measured around the natural waistline. Breathe out naturally before measuring yourself.

C - Length: The length is measured from the base of the collar to the hem of the garment. Measure from the base of your neck to determine the appropriate length for you.

D - Shoulder: This is the measurement across the back, between the seams of the arms. Measure from either end of the top of your shoulder

E - Sleeve Length: Measure from the centre of your back, along shoulder and length of your arm to the point just past the wrist-bone.