

# BOSS FAST LOK

# Assembly & Guidance

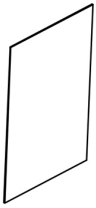





TOUGHER • STRONGER

www.rbuk.co.uk

MODEL(S): 13696

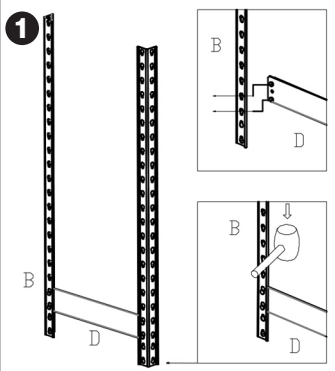


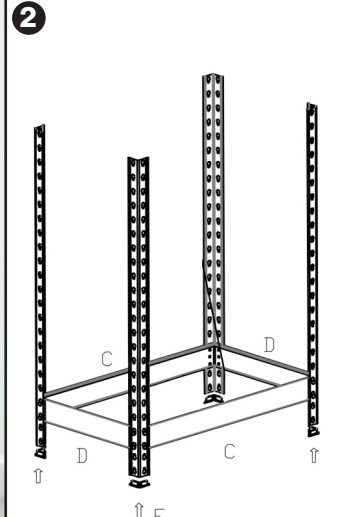
## COMPONENTS:

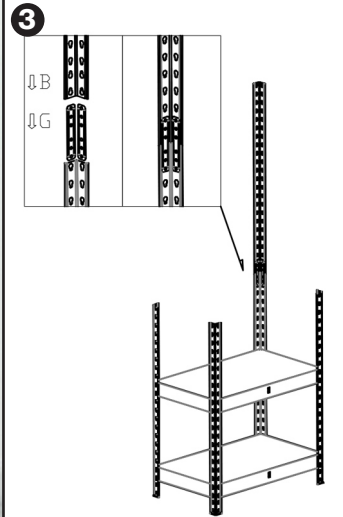
					
<b>MDF Shelf</b>	<b>Upright</b>	<b>Horizontal Edge Support (Long)</b>	<b>Horizontal Edge Support (Short)</b>	<b>Endcap / Foot</b>	<b>Connector Bar</b>
<b>(A) x4</b>	<b>(B) x8</b>	<b>(C) x8</b>	<b>(D) x8</b>	<b>(F) x8</b>	<b>(G) x8</b>

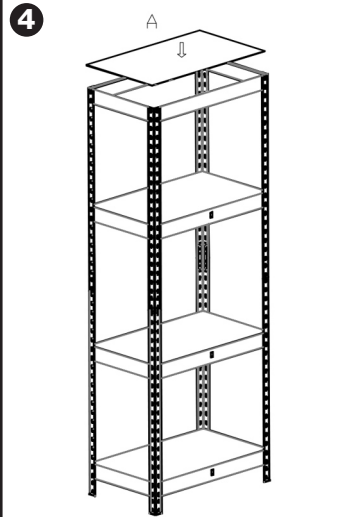
**1** Bottom of upright (B) is denoted by two upside-down holes;

Top of horizontal edge supports (C) and (D) are denoted by longer lip;

**1** 

**2** 

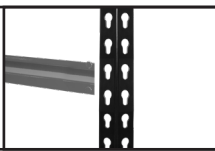
**3** 

**4** 

## FASTLOK IS AS EASY AS...

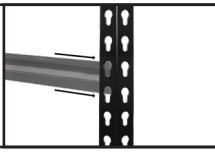
**1...**

SELECT THE COMPONENTS WHICH YOU WANT TO ASSEMBLE



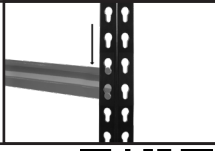
**2...**

POSITION THE RIVETS AT THE TOP OF THE CORRESPONDING KEYHOLES



**3...**

PUSH THE RIVETED COMPONENT DOWNWARDS INTO PLACE AND HAMMER SECURE WITH A MALLET



SCAN THE QR CODE TO SEE US ASSEMBLE A UNIT IN UNDER 10 MINUTES!



<p><b>i</b> <b>INFORMATION</b> IF IN ANY DOUBT, PLEASE CONTACT YOUR SUPPLIER</p>	<p><b>!</b> <b>WARNING</b> IMPORTANT RULES FOR SAFE USE:</p>
<p><b>📄</b> <b>READ THIS GUIDE THOROUGHLY BEFORE COMMENCING WITH ASSEMBLY</b> AND RETAIN FOR FUTURE REFERENCE</p>	<p><b>📄</b> ENSURE THAT THESE INSTRUCTIONS ARE RETAINED FOR REFERENCE AND THAT USERS ARE AWARE OF THE RULES FOR SAFE USE</p>
<p><b>📋</b> BEFORE COMMENCING WITH ASSEMBLY, <b>UNPACK CAREFULLY AND CHECK THAT ALL REQUIRED COMPONENTS ARE INCLUDED</b></p>	<p><b>🚫</b> <b>NEVER CLIMB ON THE STRUCTURE</b> OR STAND ON THE SHELVING</p>
<p><b>👤</b> ASSEMBLY SHOULD BE UNDERTAKEN BY A <b>MINIMUM OF TWO COMPETENT PERSONS</b></p>	<p><b>🚫</b> <b>DO NOT LEAN ANY OBJECT AGAINST THE UNIT</b></p>
<p><b>🏠</b> IT IS <b>RECOMMENDED THAT THE UNIT IS FIXED TO A WALL WHERE POSSIBLE</b></p>	<p><b>🪜</b> ALWAYS USE A STEP LADDER TO REACH HIGH SHELVES</p>
<p><b>!</b> <b>CAUTION</b> ENSURE THAT YOU:</p>	<p><b>💧</b> DO NOT USE IN DAMP OR WET CONDITIONS</p>
<p><b>🔧</b> <b>TAKE CARE DURING ASSEMBLY AND USAGE OF THE PRODUCT, ESPECIALLY WHEN LIFTING, STRETCHING &amp; USING TOOLS</b></p>	<p><b>🧑</b> LOAD HEAVIER ITEMS ON THE LOWER SHELVES AND LIGHTER ITEMS ON THE HIGHER SHELVES</p>
<p><b>🧤</b> <b>WEAR APPROPRIATE CLOTHING.</b> PROTECTIVE GLOVES AND FOOTWEAR ARE RECOMMENDED</p>	<p><b>🚚</b> THIS PRODUCT IS DESIGNED FOR <b>HAND LOADING ONLY</b></p>
<p><b>🏠</b> <b>ALWAYS BUILD ON A SUITABLE LEVEL FLOOR,</b> WHICH IS STRONG ENOUGH TO SUPPORT THE LOAD AND ALLOW ADEQUATE WORKING SPACE</p>	<p><b>🚫</b> <b>ENSURE THAT THE MAXIMUM LOAD BEARING CAPACITIES ARE NOT EXCEEDED</b></p>
<p><b>♻️</b> <b>DISPOSE OF OF PACKAGING MATERIALS RESPONSIBLY</b></p>	<p><b>📄</b> PLEASE REFER TO LOADING INFORMATION SUPPLIED FOR DETAILS</p>