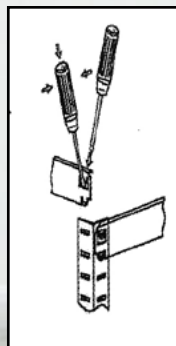
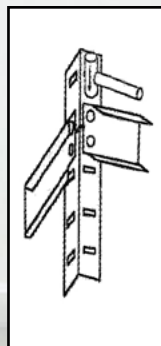
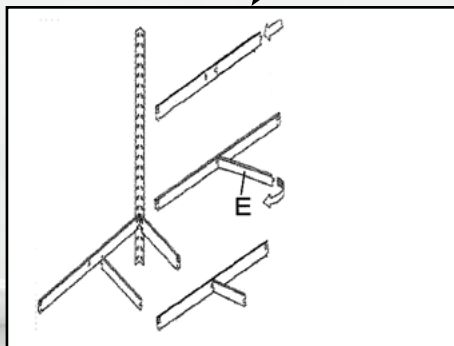
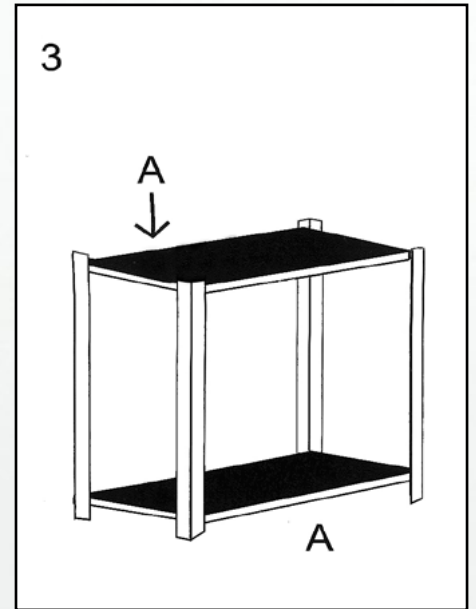
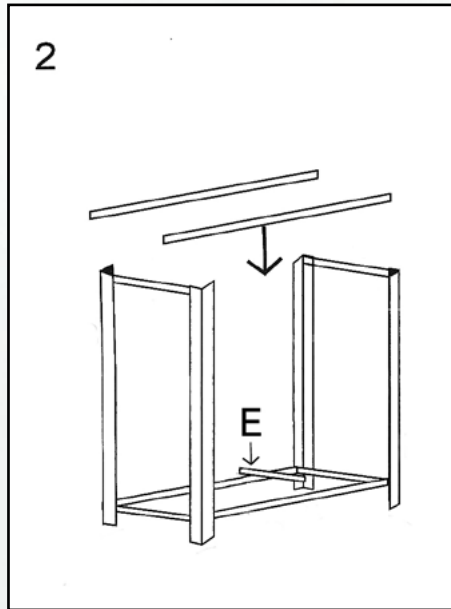
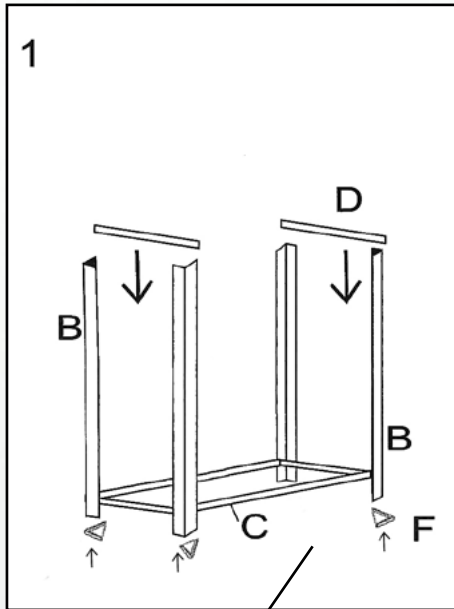


MODEL(S): 13528



A		x2	F		x8
B		x4	H		TOOL NOT INCLUDED
C		x4	I		TOOL NOT INCLUDED
D		x4			
E		x2			

INFORMATION
IF IN ANY DOUBT, PLEASE CONTACT YOUR SUPPLIER

READ THIS GUIDE THOROUGHLY BEFORE COMMENCING WITH ASSEMBLY AND RETAIN FOR FUTURE REFERENCE

BEFORE COMMENCING WITH ASSEMBLY, **UNPACK CAREFULLY AND CHECK THAT ALL REQUIRED COMPONENTS ARE INCLUDED**

ASSEMBLY SHOULD BE UNDERTAKEN BY A **MINIMUM OF TWO COMPETENT PERSONS**

IT IS **RECOMMENDED THAT THE UNIT IS FIXED TO A WALL WHERE POSSIBLE**

CAUTION
ENSURE THAT YOU:

TAKE CARE DURING ASSEMBLY AND USAGE OF THE PRODUCT, ESPECIALLY WHEN LIFTING, STRETCHING & USING TOOLS

WEAR APPROPRIATE CLOTHING. PROTECTIVE GLOVES AND FOOTWEAR ARE RECOMMENDED

ALWAYS BUILD ON A SUITABLE LEVEL FLOOR, WHICH IS STRONG ENOUGH TO SUPPORT THE LOAD AND ALLOW ADEQUATE WORKING SPACE

DISPOSE OF OF PACKAGING MATERIALS RESPONSIBLY

WARNING
IMPORTANT RULES FOR SAFE USE:

ENSURE THAT THESE INSTRUCTIONS ARE RETAINED FOR REFERENCE AND THAT USERS ARE AWARE OF THE RULES FOR SAFE USE

NEVER CLIMB ON THE STRUCTURE OR STAND ON THE SHELVING

DO NOT LEAN ANY OBJECT AGAINST THE UNIT

ALWAYS USE A STEP LADDER TO REACH HIGH SHELVES

DO NOT USE IN DAMP OR WET CONDITIONS

LOAD HEAVIER ITEMS ON THE LOWER SHELVES AND LIGHTER ITEMS ON THE HIGHER SHELVES

THIS PRODUCT IS DESIGNED FOR **HAND LOADING ONLY**

ENSURE THAT THE MAXIMUM LOAD BEARING CAPACITIES ARE NOT EXCEEDED

PLEASE REFER TO LOADING INFORMATION SUPPLIED FOR DETAILS

PLEASE SEE OUR **GENERAL ASSEMBLY GUIDE VIDEO** BY SCANNING THE QR CODE!