



IB 835

Installation Manual

Integrated Bidet Toilet

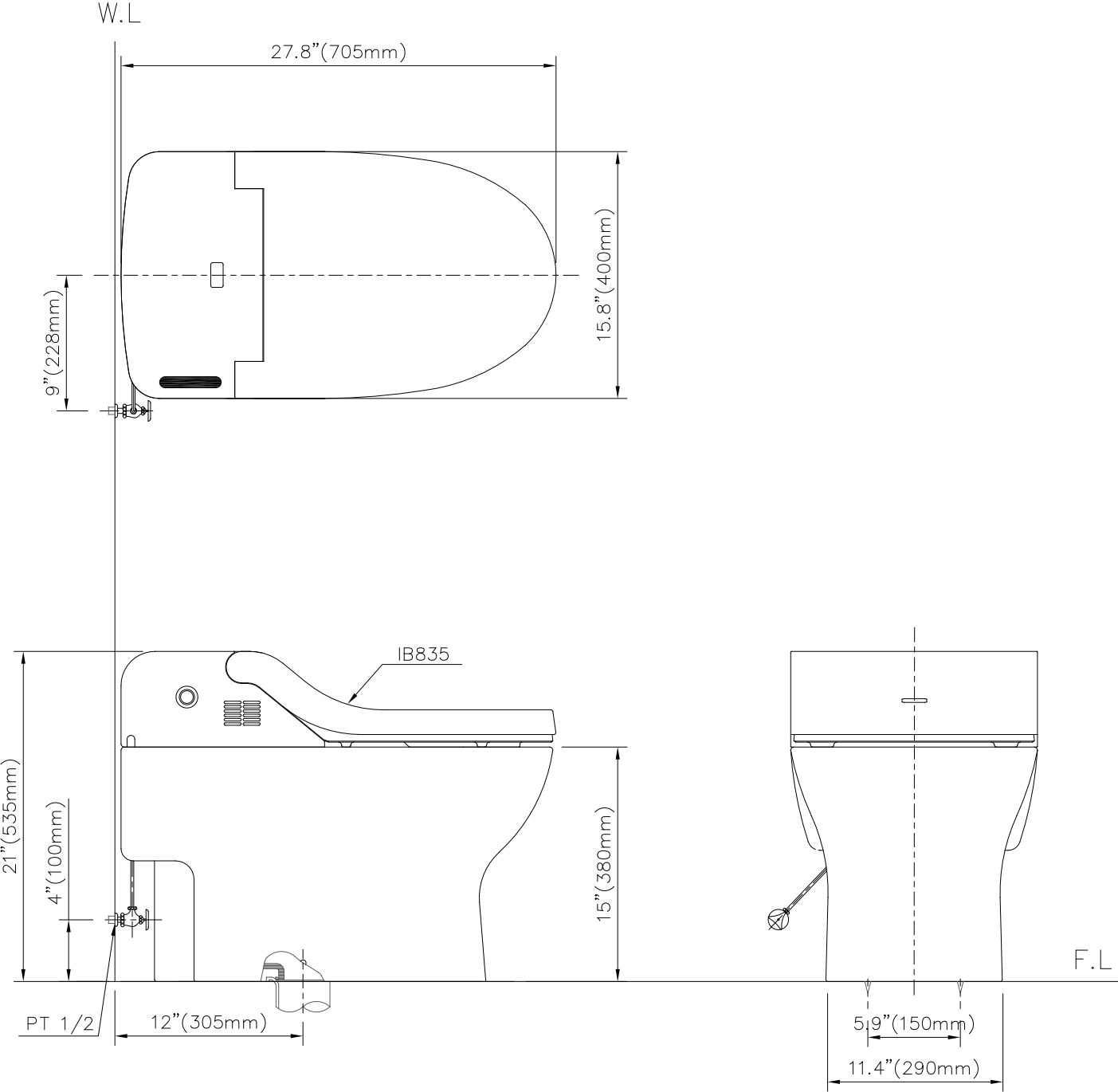
■ Cautions before installation

Water supply should have a minimum water pressure of 10 psi
For smooth drainage, water pressure must stay at its required level.

TABLE OF CONTENTS

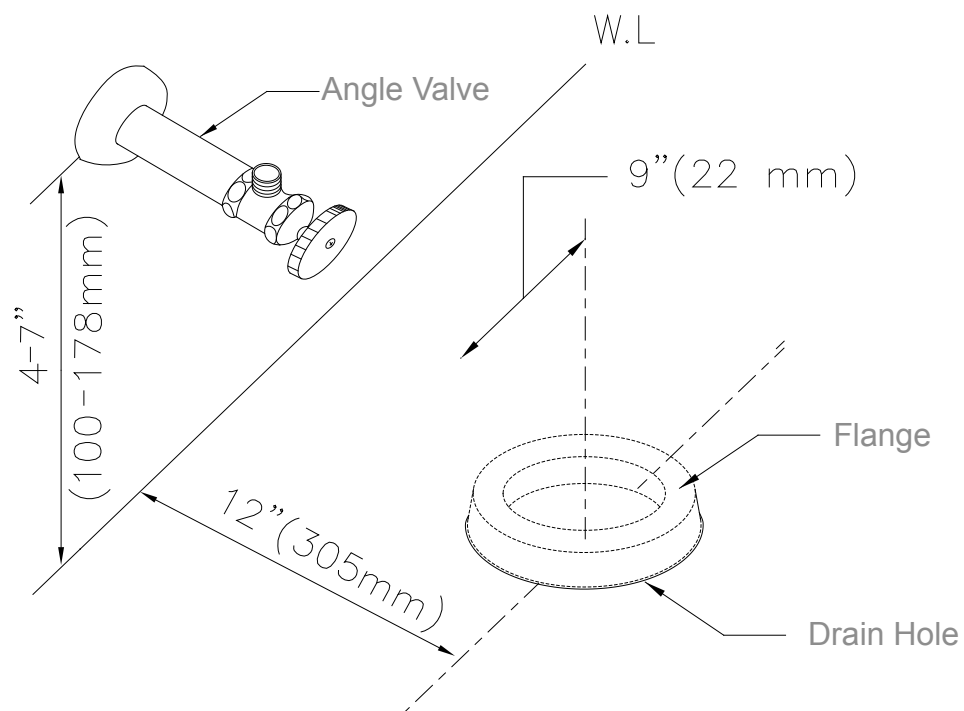
1. Dimensions	1
2. Precautions before Installation	2
3. Package Contents	3
4. Recommended Tools	4
5. Preparation for Installation	4
6. Toilet Bowl Installation	5
■ Installing the Mounting Brackets	5
■ Mounting the Toilet Bowl	5
7. Toilet Seat Installation	6
■ Connecting the Water Supply Line	6
8. Troubleshooting	7
9. Warranty	8

1. Dimensions

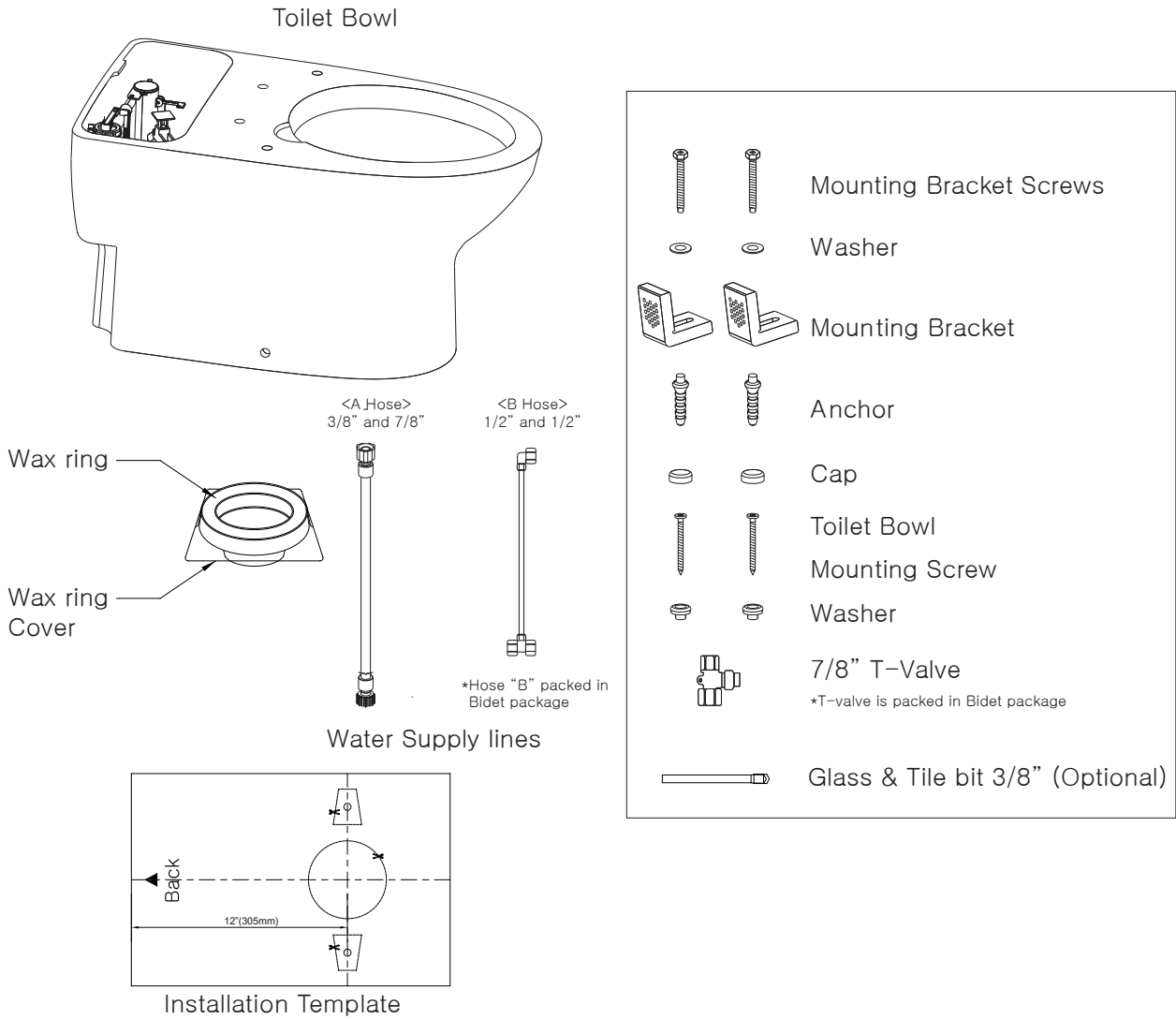


2. Precautions before Installation

- Before installation, please check locations of water inlet and drain hole.
- Connect angle valve to water inlet.
- Make sure the floor is level before installing.



3. Package Contents

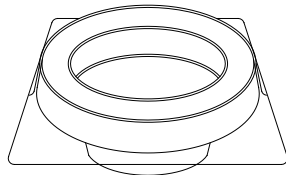


4. Recommended Tools

- Recommended tools
 - Level
 - Tape measure
 - Pliers
 - Screwdriver
 - Putty Knife
 - Glass & Tile bit 3/8" (Optional)
(If installing on tile, 3/8" glass/tile bit is needed)

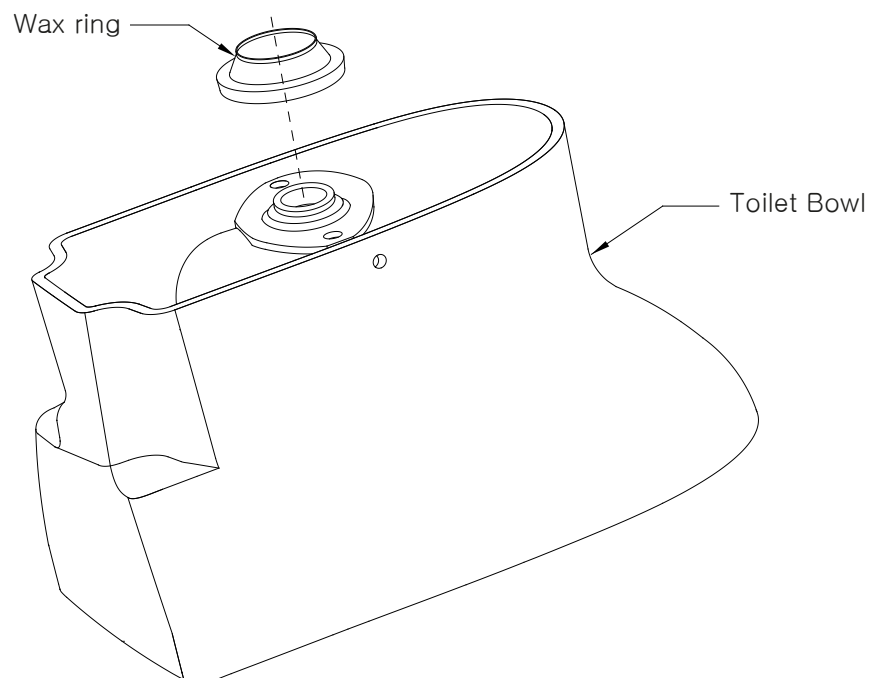
5. Preparation for Installation

- Secure the wax ring on the bowl.



■ Wax ring installation

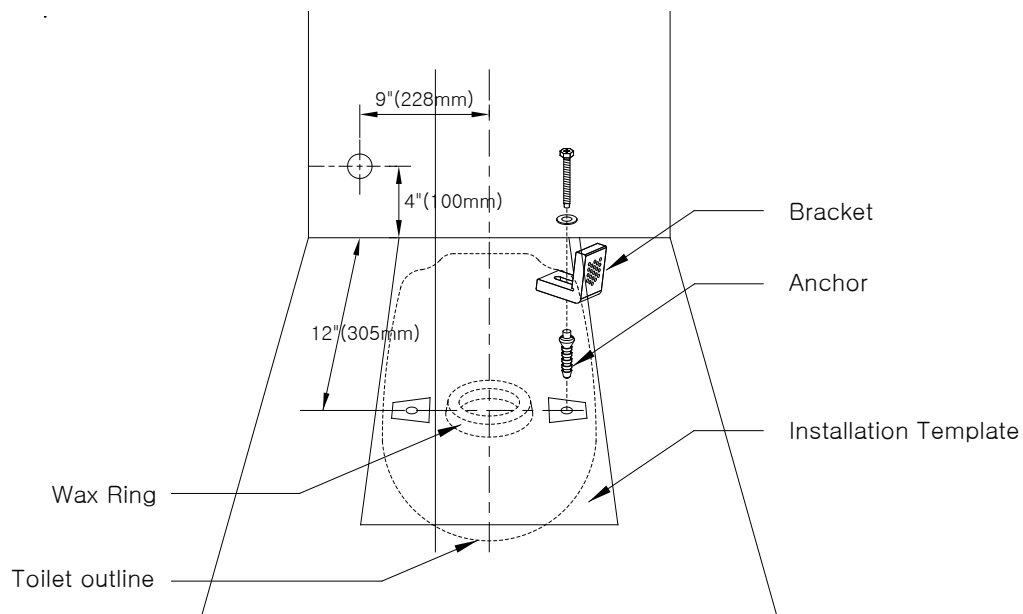
- 1) Remove protective wrapping.
- 2) With bowl upside down on a protective pad, place wax ring around opening.
- 3) Press wax ring firmly into place to assure adhesion when bowl is inverted.



6. Toilet Bowl Installation

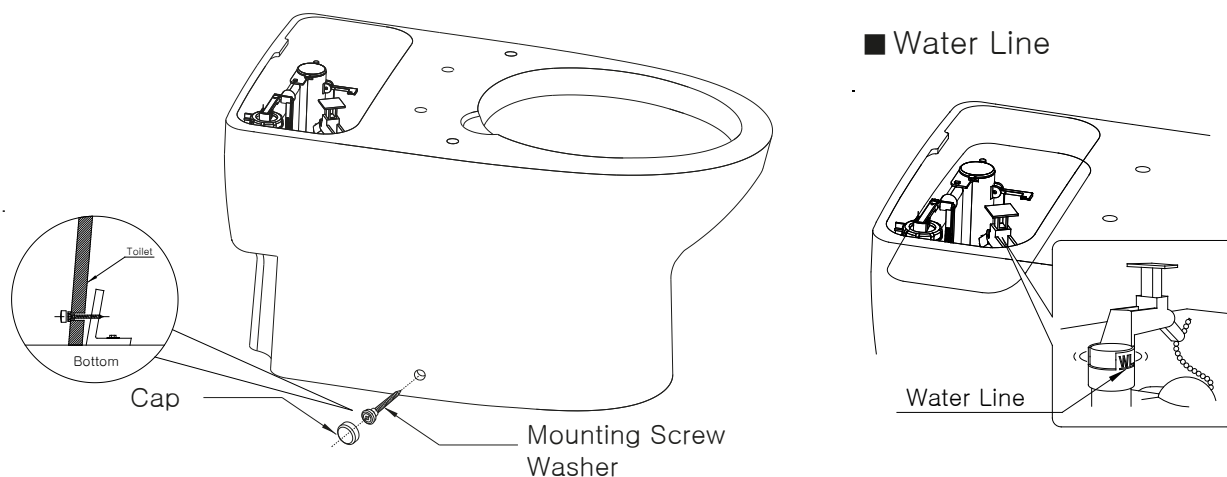
■ Installing the mounting brackets

- 1) Align the installation template at center of drain socket.
- 2) Drill holes in the marked location (3/8"), and then insert the anchors into the holes
- 3) Remove the installation template and install bracket.



■ Mounting the toilet bowl

- 1) Be sure to mount the toilet bowl with two people to connect the flange on to the drain socket.
- 2) Check floor level to make sure the toilet bowl will be placed level.
- 3) Secure the mounting screw to the bracket.
- 4) Do not use any hand pressure.
- 5) Cover the holes with the caps to finish mounting the toilet bowl.

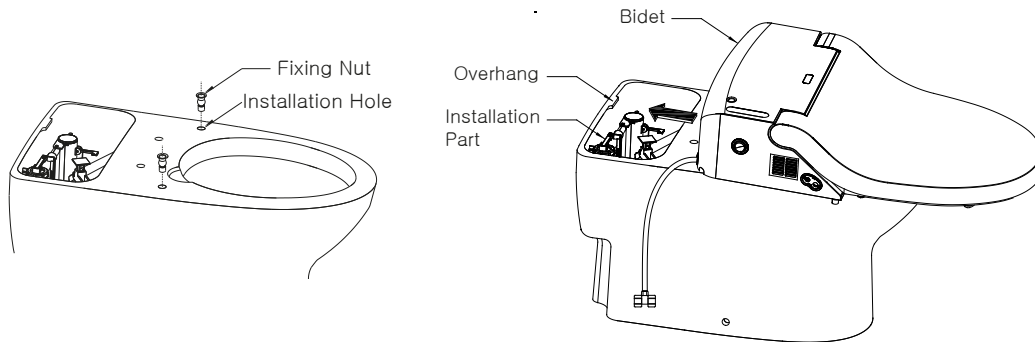


8. Troubleshooting

Problem	Possible cause	Corrective Action
Does not flush	Water supply valve closed	Open valve and allow water to fill tank.
	Supply line blocked	Shut off water supply, disconnect supply line and inspect all washers.
	Pushrods do not contact flush valve	Adjust pushrod length as required
Toilet leaks	Water supply hose is not properly connected	Disconnect water supply hose and reconnect.
	Loose bowl/floor connection	Check bowl/floor connection. Verify that bowl is properly tightened, Check Wax-Ring
Toilet does not shut off	Pushrods too long, holding the flush valve open	Adjust pushrod length as needed.
	Flush valve seat and/or flapper worn or deformed	Shut off water supply. Replace flush valve gasket.
	Siphon cover unseat	Fix the siphon cover.

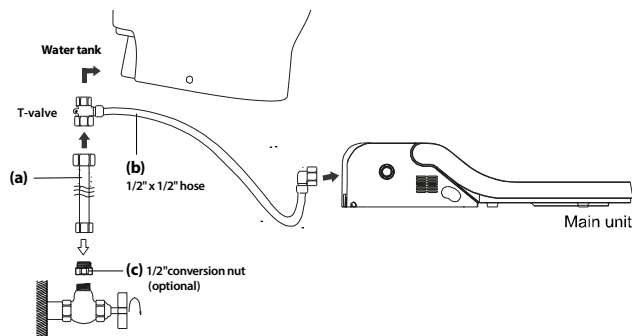
7. Toilet Seat Installation

- 1) Insert the seat mounting nut into the toilet seat mounting hole on the toilet bowl.
- 2) Hold the E-bidet with two hands and slide it into place.
 - Connect water hose to the bidet.

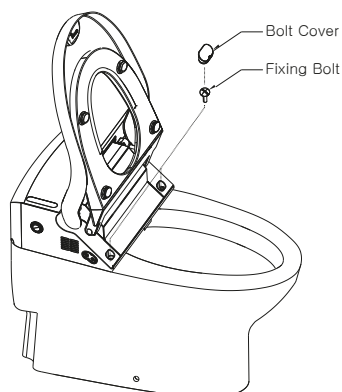


■ Connecting the water supply line

- 1) Connect T valve to angle valve.
- 2) Connect the water supply line to toilet tank and T valve.
- 3) Connect the water supply line to bidet and T valve.
- 4) Turn the angle valve counter-clockwise to supply water.
- 5) Flush the toilet 2 to 3 times to check if there is any leakage.



- 3) Open the E-bidet seat and match toilet seat mounting hole and toilet bowl mounting hole.
- 4) Screw the mounting bolt into the hole to secure the E-bidet seat.



9. Warranty

■ Warranty period

The warranty period is 2 years from the date of purchase.

See the included warranty statement for more information.

Replacement Parts

Model	Flush Valve	Fill Valve
IB 835	WP373	WP222

■ Inquiries

For further product information, please contact your local USPA dealer or contact our Customer Support Center.