



MANUAL INSTRUCTION



How to used Defogger Switch and Dimmer Switch ?

1. Short Touch Button  (<1s) to turn the task light on/off then long touch (>1s) to dimming from 15% to 100% and cycle.
2. Press the Button  to turn the defogger on and off.

Care & Maintenance

NOTE : Use warm soap water and a soft, damp, lint-free cloth to clean the mirror. Wipe dry with another clean cloth. Glass cleaner can be used on the mirror surface when required. Avoid scourers, abrasives and chemical cleaners as they can damage the glass and the frame.

In hard water areas, limescale may deposit the glass. Regular cleaning will minimize this problem. If this build-up becomes increasing difficult to remove, apply a small amount of white vinegar on the area.

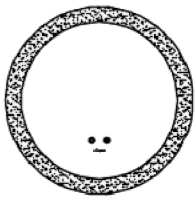
-  Do not attempt to cut the glass.
-  Do not hit the glass with hard or sharp article.

Installation Instruction

Please read follow warm tips before installation:

- Power off electrical before installation. Use voltage detector to make sure. Verify the circuit breaker is turned off & lock it in case someone try to turn it on.
- If you're NOT experienced in installing electrical wiring, then hire a professional electrician. Your safety is more important then saving a few dollars.
- Avoid water at all times when working with electricity. Never touch or install any electrical equipment or circuits with wet hands.
- Tools you will need: voltage tester, wire cutters, wire and cable strippers, needle nose pliers, continuity tester, and wire closure.
- Wear Safety Glasses and Protective Clothing to protect you from sparks.

Package content:



LED Mirror
1X



Screw
4X



Wall anchor
4X



Wire connector
3X



Wall mounted bracket
2X

Required Tools:



Impact drill



Drill with 5/16" bit



The hammer



Screwdriver



Pencil



Spirit Level

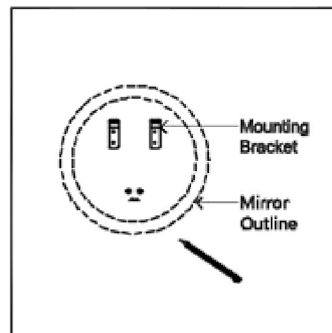


Tape Measure

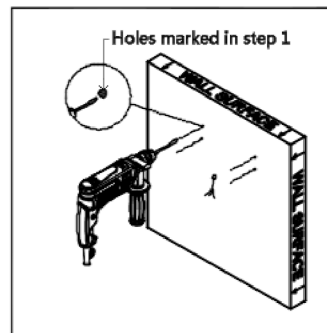
Installation Instructions :



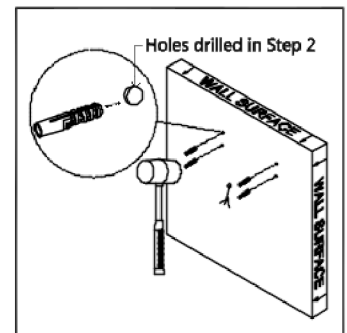
ATTENTION: Ensure that power is off at the fuse box or circuit breaker before installation.



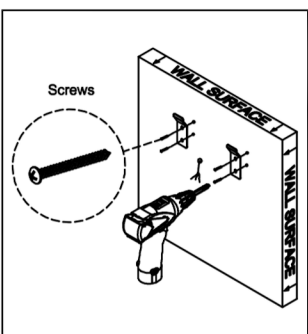
Step 1: Mark the position of the screw through the wall mounted brackets on the wall, make sure that the brackets is leveled horizontally.



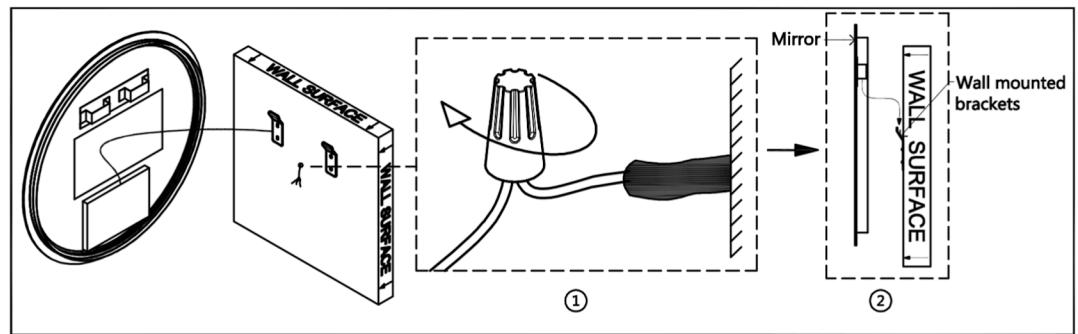
Step 2: Drill the holes.



Step 3: Tap the four wall anchors provided into the holes drilled in step 2.



Step 4: Secure the wall mounted brackets with the screws provided.



Step 5: Connect the power cord with the wire connectors provided and hang the mirror up to the wall mounted brackets.