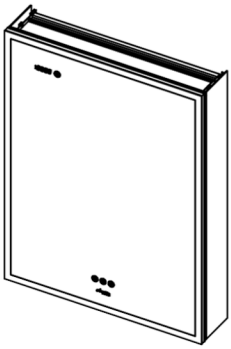
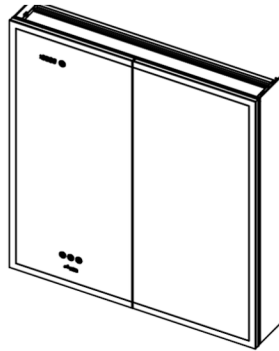


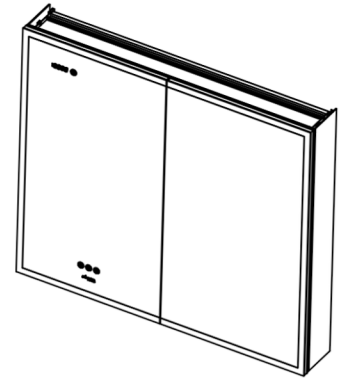
MANUAL INSTRUCTION



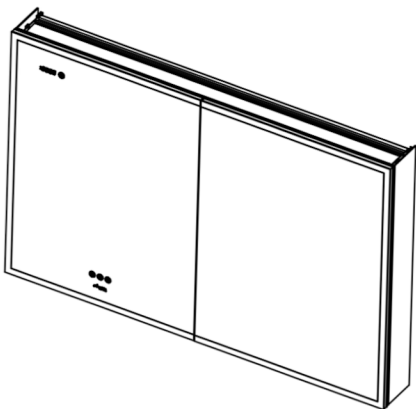
W24" x H32"



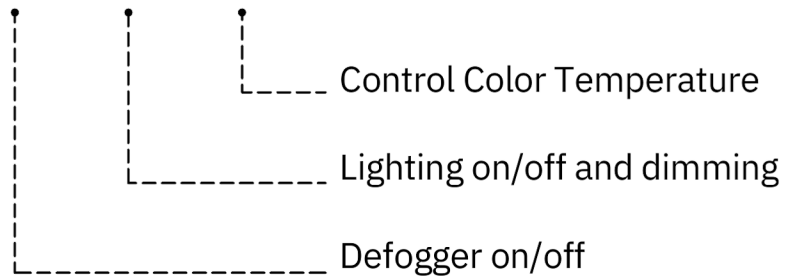
W30" x H32"



W36" x H32"




W48" x H32"




Operating Instruction


A. Turn on/off lighting:

Short press button  to start light working. Hold on the button (>2s) to adjust the brightness, dimming from 10%-100%.





B. Defogger:

Press button  will light up and start working, light off will stop working. It will turn off automatically after 60 minutes work.

C. CCT changing:

Short press button  will change the color temperature 3000K or 6000K.

D. How to adjust the digital clock:

Hold down the button  for more than 2s and enter programming mode. When the digits flicker, short press the button  again to adjust the digits. Hold on the button  more than 2s can move the step from hours to minutes. At the end hold down the button  more than 3s will saving the setting.

Care & Maintenance

NOTE : Use warm soap water and a soft, damp, lint-free cloth to clean the mirror. Wipe dry with another clean cloth. Glass cleaner can be used on the mirror surface when required. Avoid scourers, abrasives and chemical cleaners as they can damage the glass and the frame.

In hard water areas, limescale may deposit the glass. Regular cleaning will minimize this problem. If this build-up becomes increasing difficult to remove, apply a small amount of white vinegar on the area.

 Do not attempt to cut the glass.

 Do not hit the glass with hard or sharp article.

Installation Instruction

Please read follow warm tips before installation:

- Power off electrical before installation. Use voltage detector to make sure. Verify the circuit breaker is turned off & lock it in case someone try to turn it on.
- If you're NOT experienced in installing electrical wiring, then hire a professional electrician. Your safety is more important then saving a few dollars.
- Avoid water at all times when working with electricity. Never touch or install any electrical equipment or circuits with wet hands.
- Tools you will need: voltage tester, wire cutters, wire and cable strippers, needle nose pliers, continuity tester, and wire closure.
- Wear Safety Glasses and Protective Clothing to protect you from sparks.

Required Tools:



Impact drill



Drill with 5/16" bit



The hammer



Screwdriver



Pencil



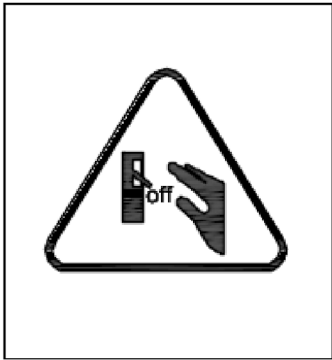
Spirit Level



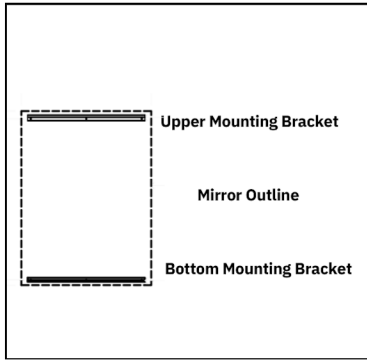
Tapeline

Installation Instructions :

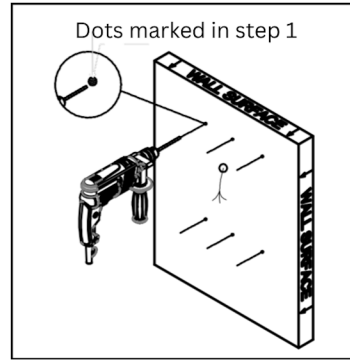
Installation Manual For Surface Mount



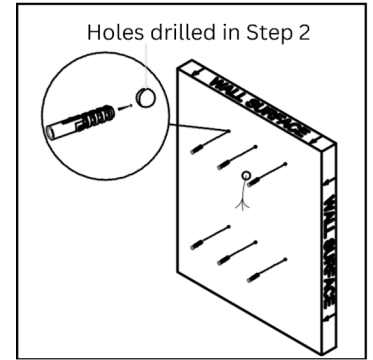
ATTENTION: Ensure that power is off at the fuse box or circuit breaker before installation.



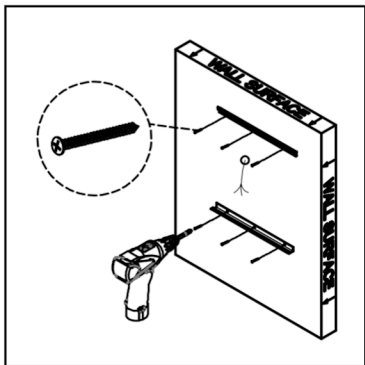
Step 1: Mark the position of the screw through the wall mounted brackets on the wall, make sure that the brackets is leveled horizontally.



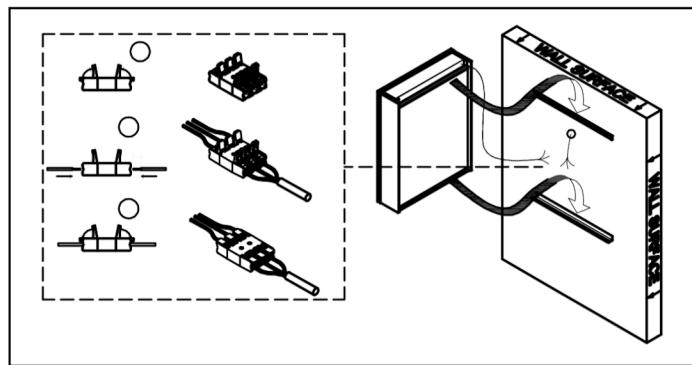
Step 2: Drill the holes.



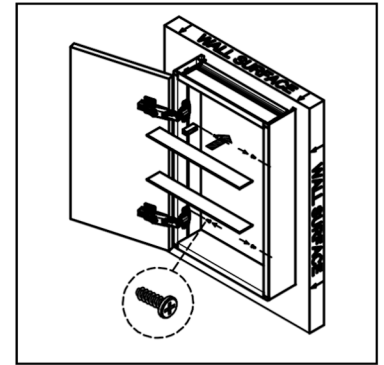
Step 3: Tap the six wall anchors provided into the holes drilled in step 2.



Step 4: Secure the upper & bottom wall mounted bracket with the screws provided.

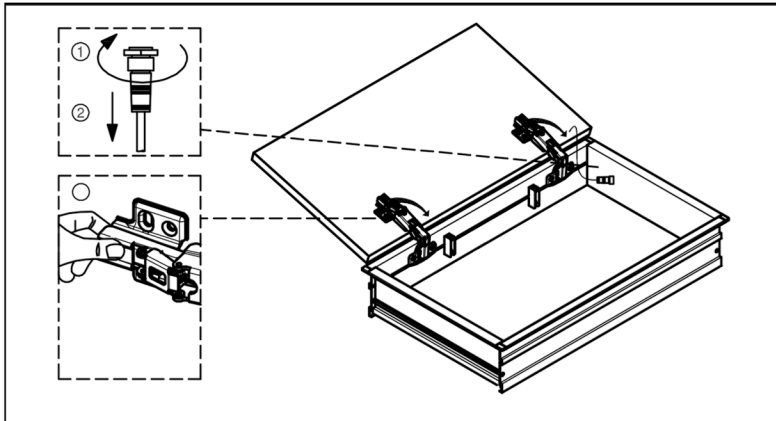


Step 5: Use the 3-ports wire connector provided to connect the power cord and hang the mirror up to the wall mounted brackets.

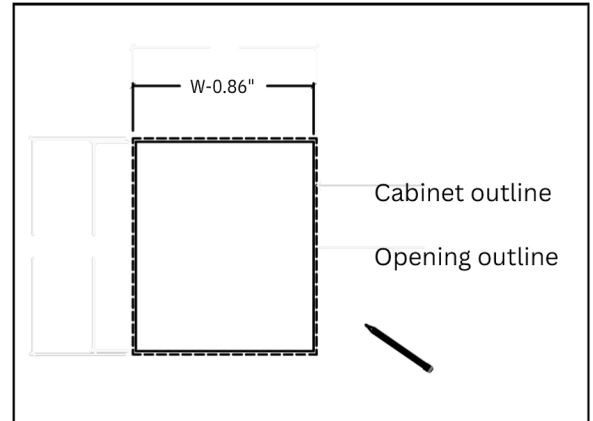


Step 6: Open the door. push the glass shelf into the plastic clip secured in the cabinet and secure the side mirror with the screws provided.

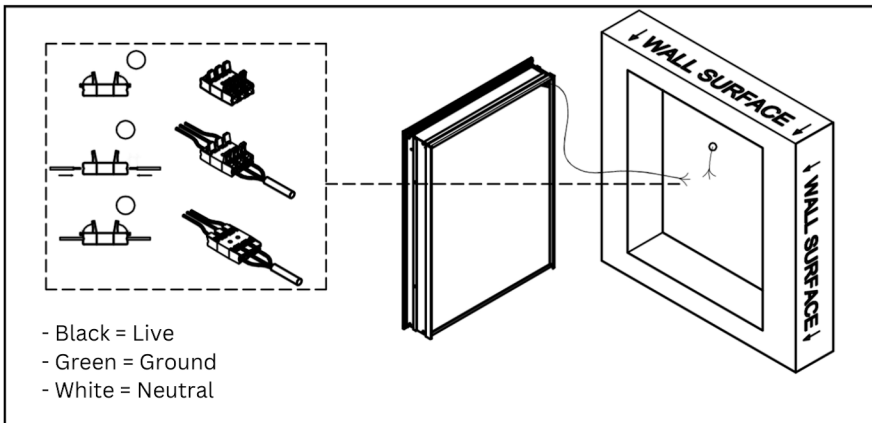
Installation Manual For Recessed Mount



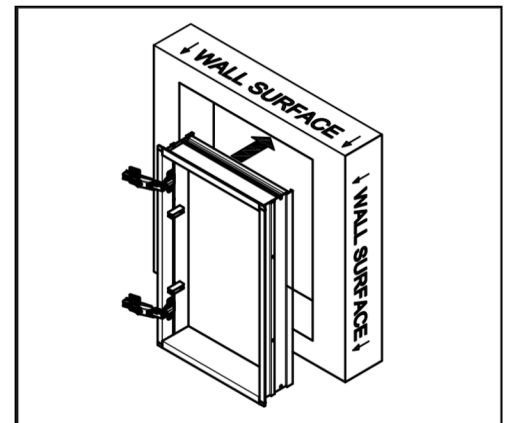
Step 1: Disassemble the door.



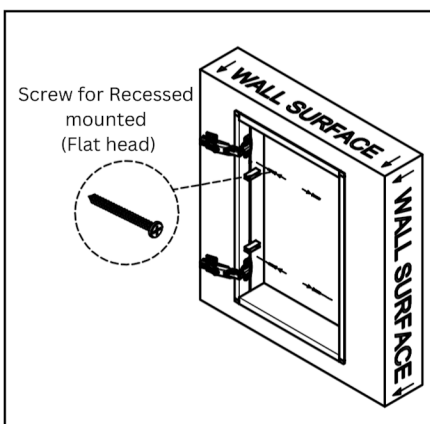
Step 2: Cut the wall opening following above dimensions.



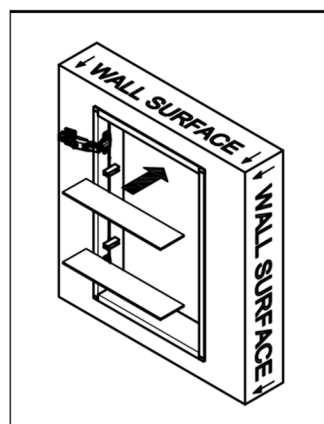
Step 3: Use the 3-ports wire connector provided to connect the power cord.



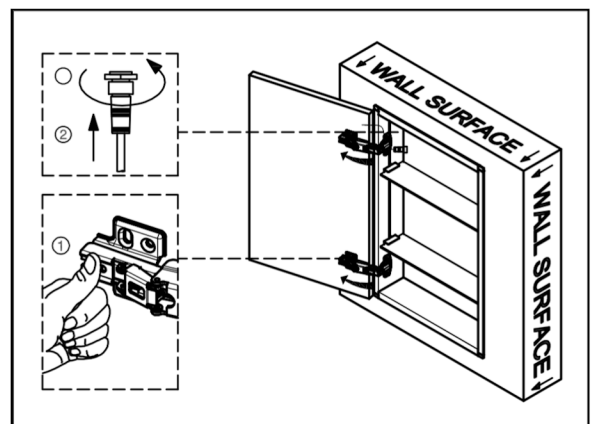
Step 4: Push the cabinet into the wall opening.



Step 5: Secure the cabinet to the wood studs with the screws provided.



Step 6: push the glass shelf into the plastic clip secured in the cabinet.



Step 7: Assemble the door. Push and secure the cable to the socket secured in the cabinet.