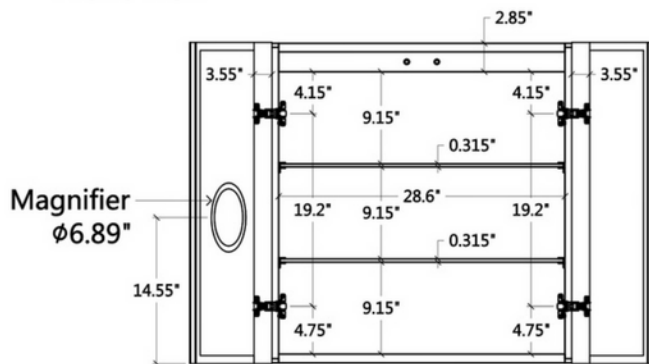
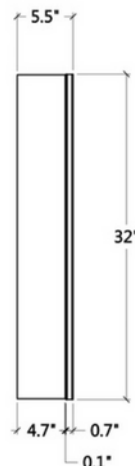


Front View



Internal View



Side View

FEATURES

- 5mm copper-free mirror with vinyl film back covering.
- Double doors with 120-degree wide-open soft-closing hinges.
- Mounting options: wall mount (with cleats) or recess mount.
- Defogger and dimmable LED lighting.
- ¾" wide acrylic board surrounds the mirror.
- 12-hour digital programmed clock system.
- Built-in 15 AMP dual outlet and USB 2.0 ports
- Interior circular mirror with 3x magnification.
- Door switch sensor activates interior LED light for a lighted medicine cabinet.
- LED door light turns on upon opening and off upon closing.
- Two adjustable 8mm thick tempered black transparent glass shelves.
- Energy-efficient, long-lasting LED lighting.
- 1-Year Limited Warranty on electronic components.

LIGHTING:

- LED (Lighting-Emitting Diode).
- Color Temperature: 3000K & 6000K
- Power Source: Input 110 Volts, 50/60 HZ.
- IP44 Rated
- Brightness Lumen 670lm-6700lm, CRI>80
- Power Consumption: 67 Watts.
- Energy Saving LED lifetime approx 50,000 hours.
- UL certificated for electric power supply defogger and LED strips.

Available Standard Size:

- 24" W X 5.5" D X 32" H
- 30" W X 5.5" D X 32" H
- 36" W X 5.5" D X 32" H
- 48" W X 5.5" D X 32" H

Certification:

