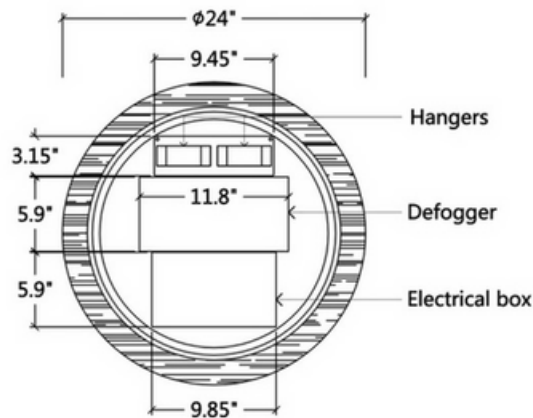


Front View



Back View



Side View

## FEATURES

- 5mm copper-free mirror with vinyl film back.
- Mounting type: vertical.
- Defogger and dimmable LED lighting.
- 2.5" wide ice-patterned frame.
- Energy-efficient, long-lasting LED lighting.
- 1-Year Limited Warranty on electronic components.

## LIGHTING:

- LED (Lighting-Emitting Diode).
- Color Temperature: 6000K.
- Power Source: Input 110 Volts, 50/60 HZ.
- IP44 Rated.
- Brightness Lumen 300lm-3000lm, CRI>80.
- Power Consumption: 30 Watts.
- Energy Saving LED lifetime approx 50,000 hours.
- UL certificated for electric power supply defogger and LED strips.

## Available Standard Size:

ø 24" x 1.25"D

ø 30" x 1.25"D

## Certification:

