

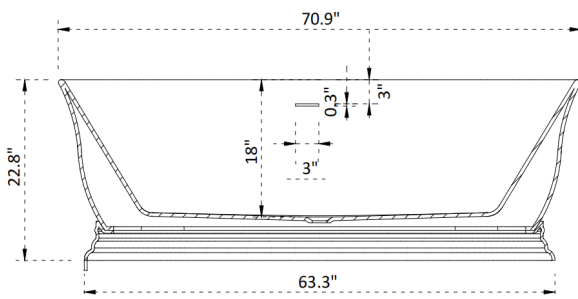


DESCRIPTION

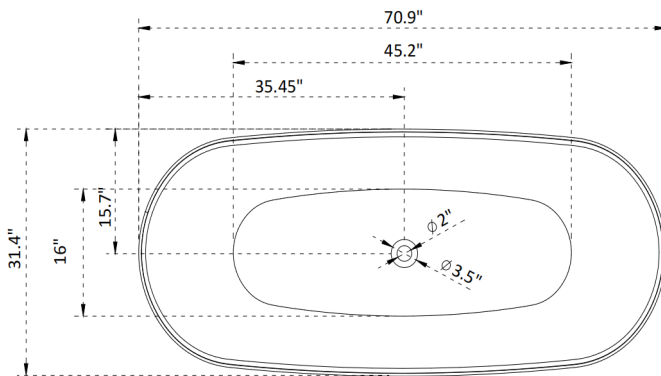
Indulge in tranquility and opulence with the Ancerre Designs Heritage freestanding bath. The oval, ergonomically designed tub not only promises a deep, relaxing soak but also delivers optimal support for your body. Meticulously crafted from cast resin material and featuring one-piece seamless construction, it guarantees exceptional durability. The bath's graceful lines and straight shroud effortlessly integrate into diverse bathroom styles, offering a versatile and stylish addition to your space.

KEY FEATURES

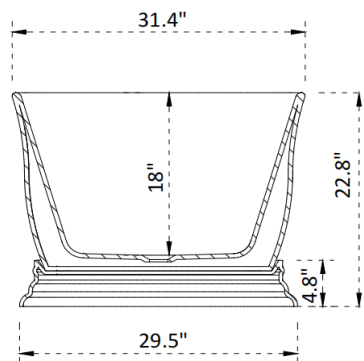
- Material: Solid Surface
- Water Capacity : 92 Gallons.
- Including Adjustable Leg Levelers.
- Inclusive of a pop-up drainer and flexible hose (Floor drain rough-in are not included).
- With Built-in overflow for added convenience.
- Tub Filler not included.
- cUPC Certificate.
- 3 Years Warranty.
- Unrivald comfort achieved through impeccably designed ergonomic structure.
- Non-porous surface for easy cleaning and maintenance.
- Enduring, fade-resistant color maintains vibrancy over time.
- Highly effective thermal insulation ensures prolonged water temperature stability.
- Solid, one-piece construction. Exceptionally durable for decades of use.
- Streamlined and expeditious installation process.



Front View



Top View



Side View

DISCLAIMER: Following installation, refrain from caulking the tub base initially. Securely fasten all connections and thoroughly inspect for water seepage to validate correct installation. Fill and drain the tub multiple times, checking for leaks before applying caulking.

Product Size : 70.9"W x 31.5" D x 22.8"H

Package Size : 74"W x 35"D x 30"H

Net Weight: 396 lbs

Gross Weight: 518 lbs

Color Finish: Black (Smooth Matte)

Certification:

