

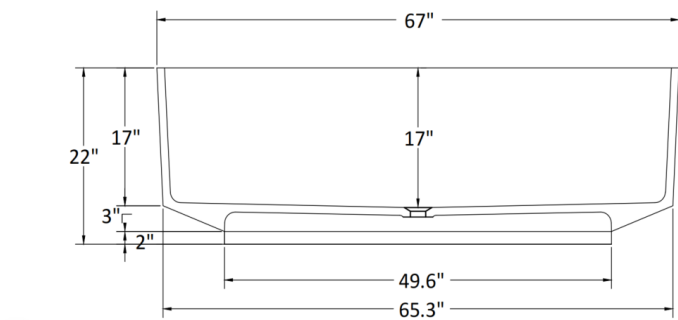


## DESCRIPTION

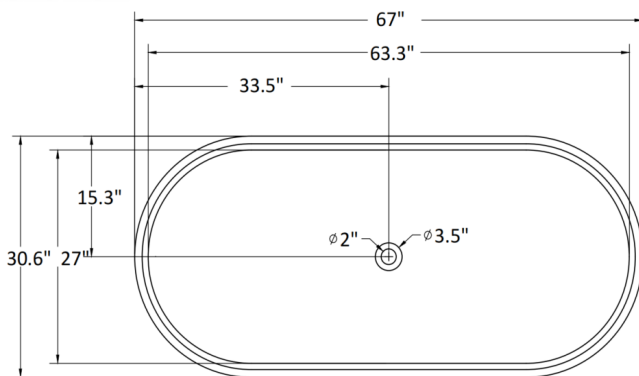
Harmony of elegance, strength, and uniqueness defines the cutting-edge designs of forged carbon fiber—a seamless fusion of beauty and durability. The Ancerre Designs Odessa freestanding bath, boasting an ergonomically crafted tub, provides a profound and relaxing soak along with optimal body support. Meticulously handcrafted from forged carbon fiber material with a one-piece seamless construction, it ensures unparalleled durability. The bath's graceful lines and straight shroud effortlessly integrate with a variety of bathroom styles, contributing versatility and style to any space.

## KEY FEATURES

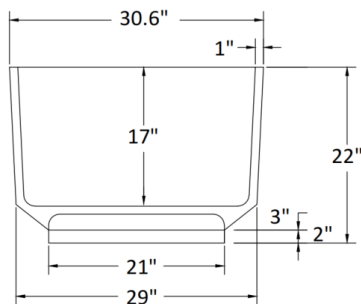
- Material: Forged Carbon Fiber
- Water Capacity : 126 Gallons.
- Inclusive of a pop-up drainer and flexible hose.
- Faucet not included.
- 3 Years Warranty.
- Unrivald comfort achieved through impeccably designed ergonomic structure.
- Streamlined and expeditious installation process.



Front View



Top View



Side View

**!** **DISCLAIMER:** Following installation, refrain from caulking the tub base initially. Securely fasten all connections and thoroughly inspect for water seepage to validate correct installation. Fill and drain the tub multiple times, checking for leaks before applying caulking.

**Product Size :** 67"W x 30.7"D x 22"H

**Package Size :** 71"W x 35"D x 28"H

**Net Weight:** 130 lbs

**Gross Weight:** 251 lbs

**Color Finish:** Forged Carbon Fiber(CF)