

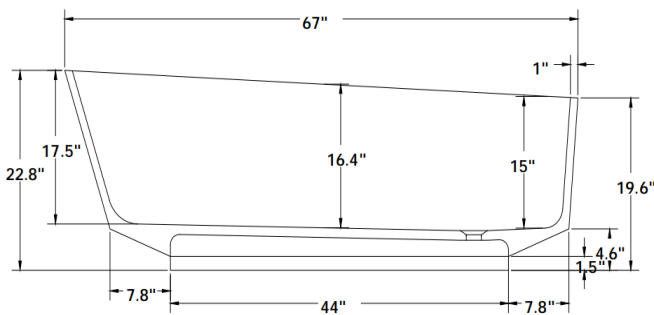


## DESCRIPTION

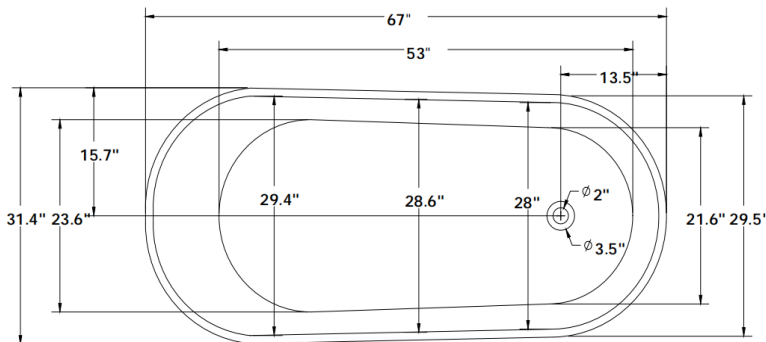
The Ancerre Designs Coesistere freestanding bath epitomizes a fusion of elegance, strength, and individuality within its cutting-edge design – a seamless melding of beauty and enduring resilience. Boasting an ergonomically crafted tub, it invites a profound and restful soak while ensuring optimal body support. Meticulously handcrafted from forged carbon fiber material in a one-piece seamless construction, this bath assures unparalleled durability. Its graceful lines and straight shroud effortlessly synchronize with a range of bathroom styles, imparting both versatility and refined style to any space.

## KEY FEATURES

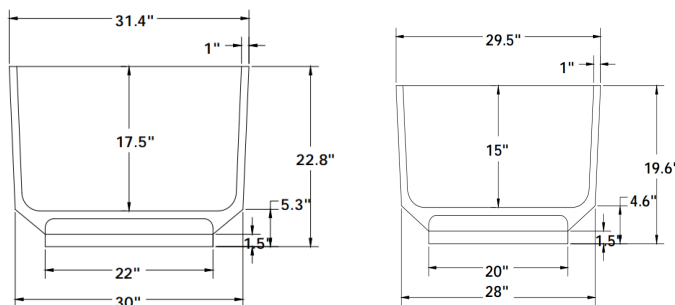
- Material: Forged Carbon Fiber
- Water Capacity : 126 Gallons.
- Inclusive of a pop-up drainer and flexible hose (Floor drain rough-in are not included).
- Tub Filler not included.
- 3 Years Warranty.
- Unrivaled comfort achieved through impeccably designed ergonomic structure.
- Streamlined and expeditious installation process.



Front View



Top View



Side View

**!** **DISCLAIMER:** Following installation, refrain from caulking the tub base initially. Securely fasten all connections and thoroughly inspect for water seepage to validate correct installation. Fill and drain the tub multiple times, checking for leaks before applying caulking.

**Product Size :** 67"W x 31.5"D x 22.8"H

**Package Size :** 71"W x 35"D x 28"H

**Net Weight:** 127 lbs

**Gross Weight:** 249 lbs

**Color Finish:** Black