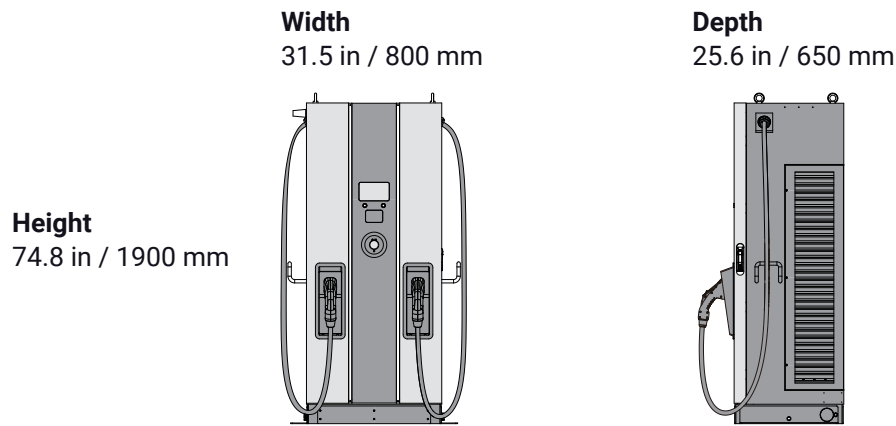




# Noodoe EV DC180P

Smart EV Charging



## SPECIFICATIONS

<b>Cloud service</b>	Noodoe EV OS
<b>Maximum output power</b>	180 kW
<b>Output power</b>	CCS1: 200 A @150~500 Vdc or 190 A @950 Vdc CHAdeMO: 120 A @150~500 Vdc
<b>Vehicle connector</b>	CCS1, CHAdeMO
<b>Charging cable length</b>	13 feet / 4 m
<b>Input power</b>	3-phase, 5-wire, 480 Vac, 270 A maximum
<b>Grounding system</b>	TN, TT
<b>Efficiency</b>	≥ 94%
<b>Power factor</b>	> 0.99
<b>Display</b>	7 inch LCD
<b>Communication protocol</b>	OCPP 1.6 JSON
<b>Vehicle communication interface</b>	ISO 15118
<b>Network connectivity</b>	Ethernet, Wi-Fi, 4G
<b>RFID</b>	RFID ISO/IEC 14443 A/B
<b>NEMA enclosures(NEMA)</b>	NEMA 3R
<b>Impact protection</b>	IK10
<b>Electrical protection</b>	Over voltage protection, over current protection, over power protection, over temperature protection, under voltage protection, residual current device, surge protection device, insulation monitoring device
<b>Operating temperature</b>	-22 °F to +122 °F / -30 °C to +50 °C
<b>Dimensions</b>	31.5 (W) x 74.8 (H) x 25.6 (D) in 800 (W) x 1900 (H) x 650 (D) mm
<b>Weight</b>	1058 lbs / 480 kg
<b>Certifications</b>	ETL, FCC

Noodoe EV OS



**Noodoe Inc.**  
9896 Bissonnet,  
Suite 440  
Houston, TX 7703,  
United States  
+1 281-888-3429  
info@noodoe.com  
noodoe.com