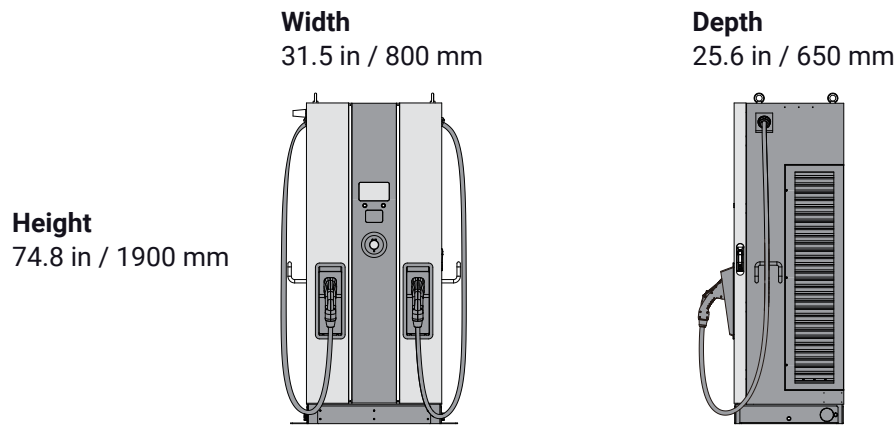




Noodoe EV DC120P

Smart EV Charging



SPECIFICATIONS

Cloud service	Noodoe EV OS
Maximum output power	120 kW
Output power	CCS1: 200 A @150~500 Vdc or 126 A @950 Vdc CHAdeMO: 120 A @150~500 Vdc
Vehicle connector	CCS1, CHAdeMO
Charging cable length	13 feet / 4 m
Input power	3-phase, 5-wire, 480 Vac, 190 A maximum
Grounding system	TN, TT, IT
Efficiency	> 94%
Power factor	> 0.99
Display	7 inch LCD
Communication protocol	OCPP 1.6 JSON
Vehicle communication interface	ISO 15118
Network connectivity	Ethernet, Wi-Fi, 4G
RFID	RFID ISO/IEC 14443 A/B
NEMA enclosures(NEMA)	NEMA 3R
Impact protection	IK10
Electrical protection	Over voltage protection, over current protection, over power protection, over temperature protection, under voltage protection, residual current device, surge protection, insulation monitoring device, short circuit protection
Operating temperature	-22 °F to +122 °F / -30 °C to +50 °C
Dimensions	31.5 (W) x 74.8 (H) x 25.6 (D) in 800 (W) x 1900 (H) x 650 (D) mm
Weight	948 lbs / 430 kg
Certifications	ETL, FCC

Noodoe EV OS



Noodoe Inc.
9896 Bissonnet,
Suite 440
Houston, TX 7703,
United States
+1 281-888-3429
info@noodoe.com
noodoe.com