



Anti-static Metal Plate

Holder Frame

Chute Shaker

Holder Platform

Delivery Chute

SS Dosing Cup

Screws & Spring

Hex Tools

Anti-static chain

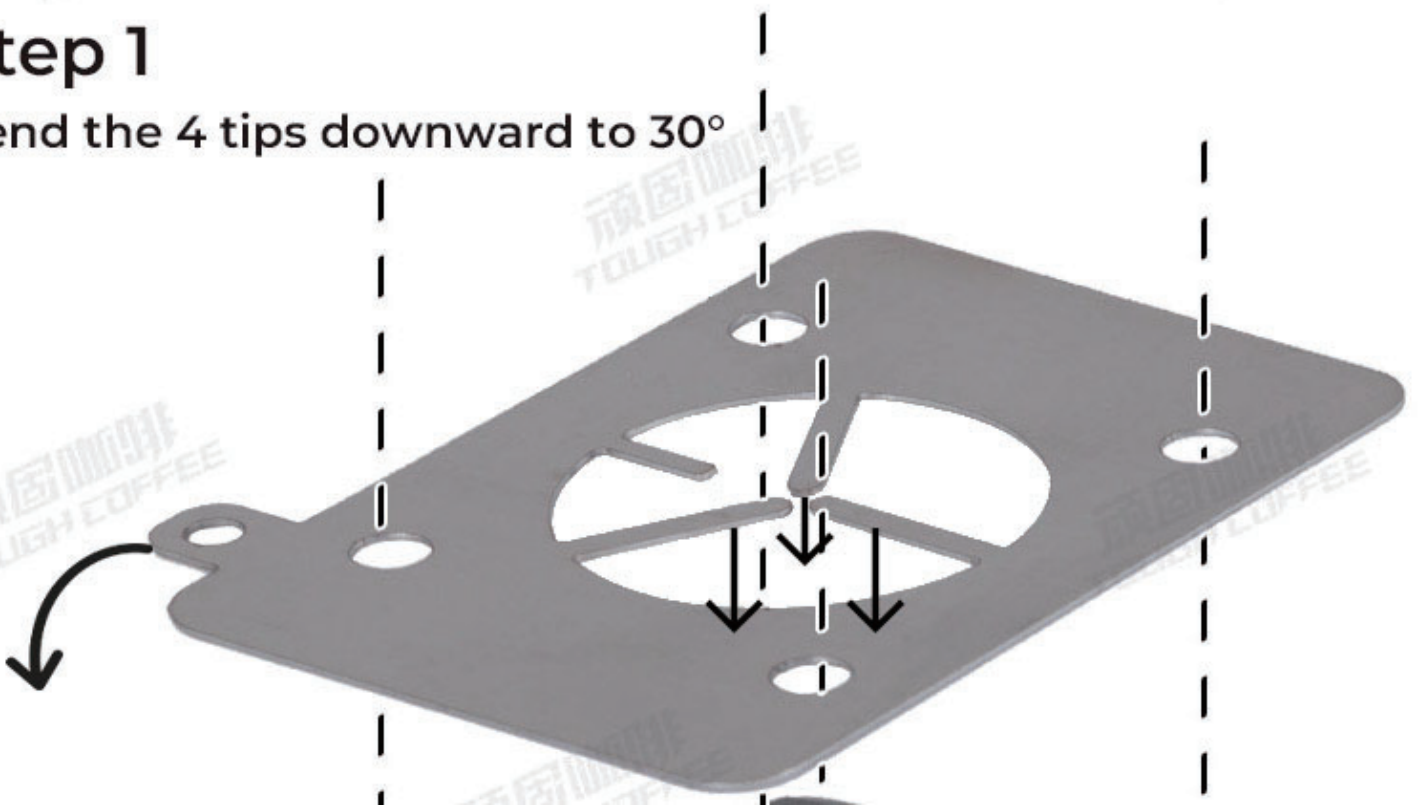
**Mostly Melbourne**  
Handpicked Goodies!



**顽固咖啡**  
TOUGH COFFEE

## Step 1

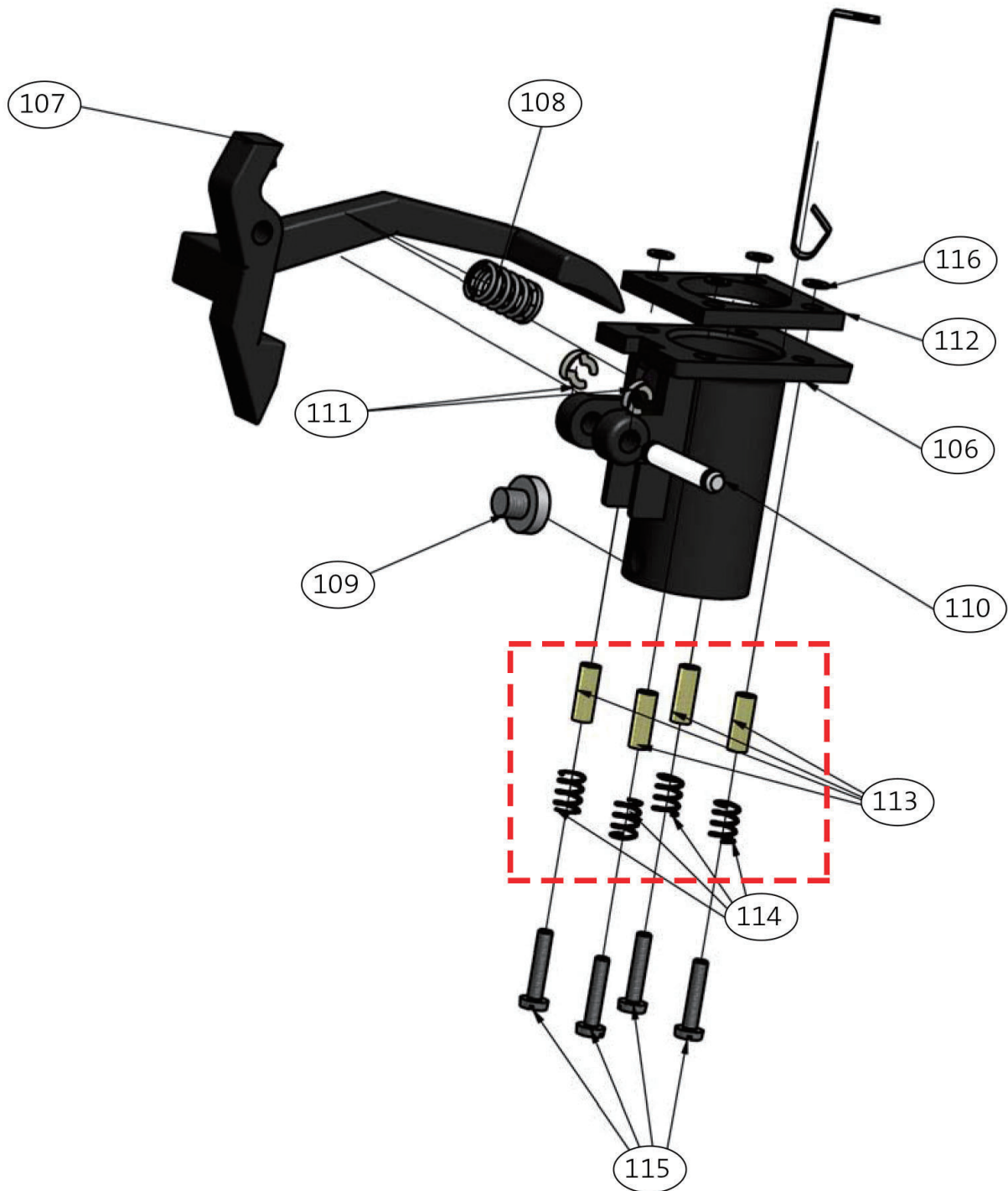
Bend the 4 tips downward to 30°



# Step 2

Remove the 4 Screw holders (113)

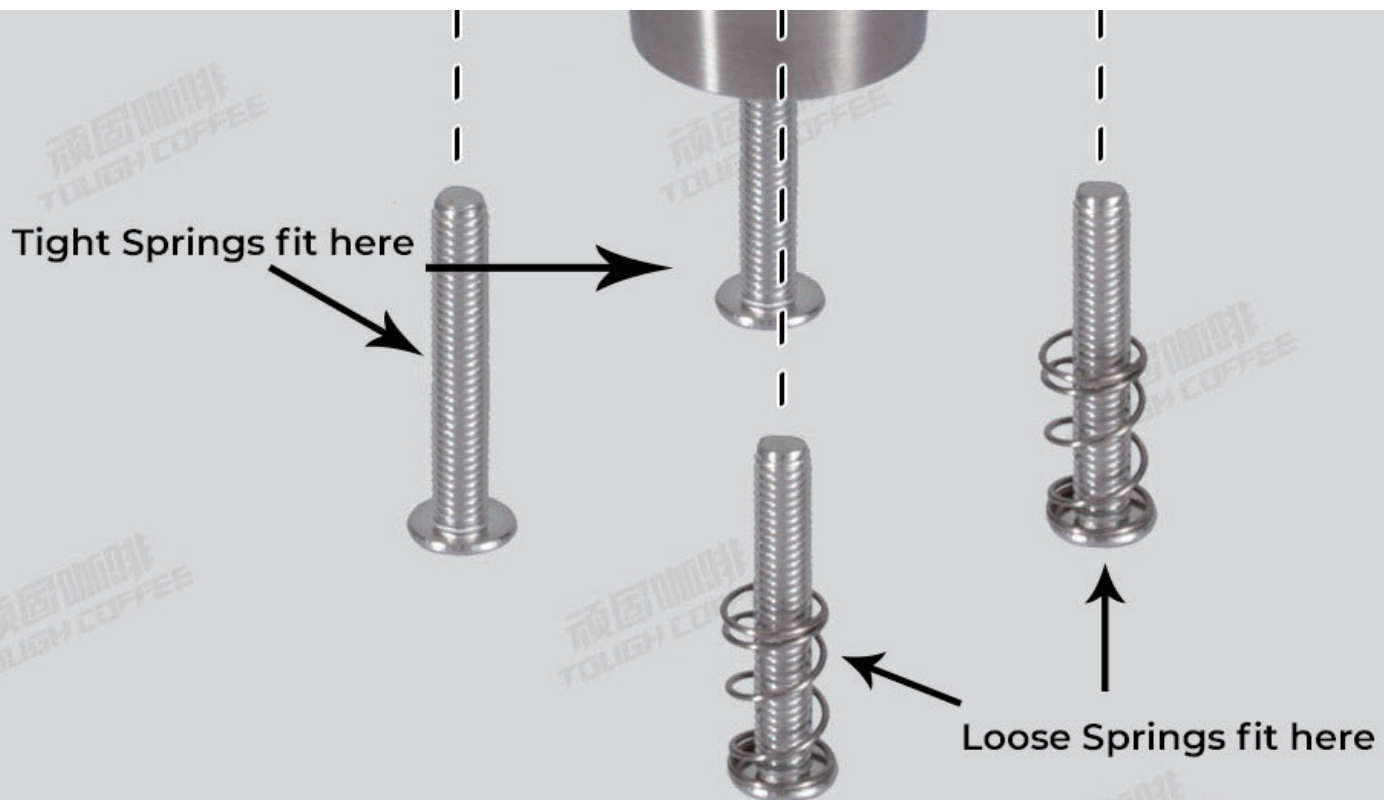
and 4 springs (114) from the EK43 bag holder assembly



### Step 3

Fit the 3 main body parts: Holder Frame, Chute Shaker and Delivery Chute into an assembly by aligning the screw holes





## Step 4

Prepare the screws:

Fit 4 Screw Holders (113) from EK43

Fit 2 tight screws (114) from EK43 on two screws closer to the machine

Fit 2 loose screws on the 2 screws further away from the machine

# Step 5

Complete the assembly on the EK43 machine

by screwing in the four screws into where the bag holder was



## Step 6

Hook up the Anti-static chain to the hole on the Anti-static plate, hook up the other end to the grounded nut on the side of EK43

