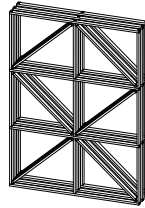
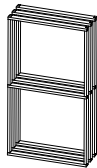


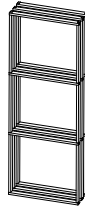
DIAMOND F05 (A)  
32" x 32"



DIAMOND F05 (B)  
32" x 48"



BORDEAUX BIN /  
CARDBOARD CASE F06 (A)  
16" x 32"



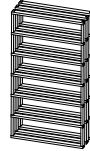
BORDEAUX BIN /  
CARDBOARD CASE F06 (B)  
16" x 48"



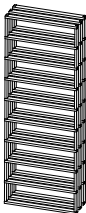
BURGUNDY /  
BORDEAUX BIN F07 (A)  
16" x 32"



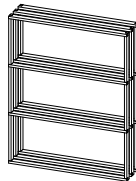
BURGUNDY /  
BORDEAUX BIN F07 (B)  
16" x 48"



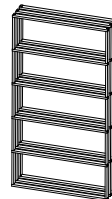
CHAMPAGNE /  
MAGNUM F08 (A)  
16" x 32"



CHAMPAGNE / MAGNUM F08 (B)  
16" x 48"

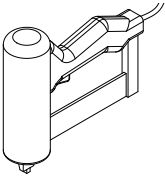


WOOD CASE F09 (A)  
24" x 32"



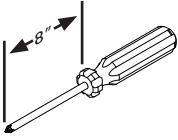
WOOD CASE F09 (B)  
24" x 48"

# TOOLS

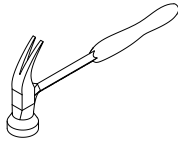


1" - 1 1/8" Finishing Nailer

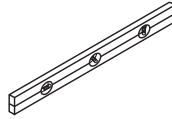
Highly recommended to prevent splitting of wood. This tool is also handy for projects around the home.



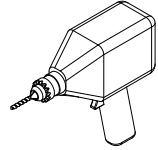
Philips Screwdriver



Hammer

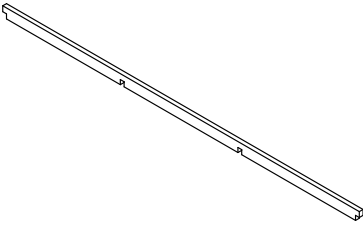


Level

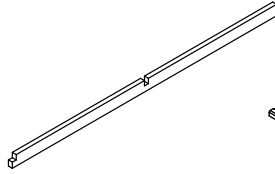


Drill

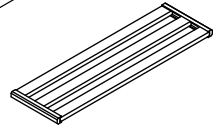
# COMPONENTS



Vertical Bar

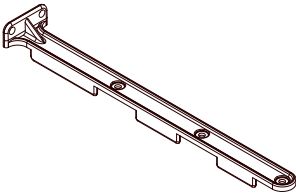


Horizontal Bar



(Diamond Slat)

# HARDWARE



Bracket x 4



1/2" Screw x 12



7/8" Screw x 8



1 1/4" Screw x 8



Anchor x 8



Nails x 48

# GETTING STARTED

## IMPORTANT NOTE :

Bin and Case WineRack modules are available in a variety of styles and sizes. The Diamond, type B (F05) is illustrated in the following instructions. Some modules will not have a central vertical bar; others will have a different number of horizontal bars. The basic method of construction is the same for all Bin and Case modules.

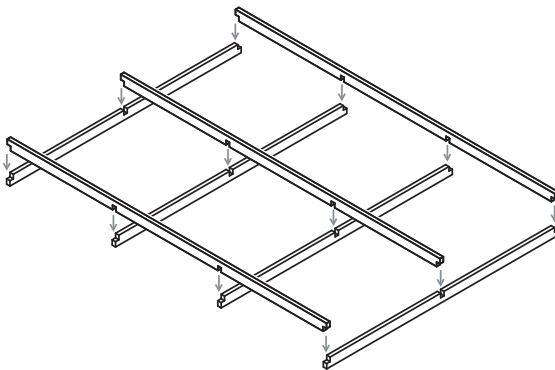
## STEP 1

### ASSEMBLE RACK :

Redwood has a variety of natural colours, ranging from red to white. If consistent colour is important to you, sort the bars before assembly.

Bin and Case modules consist of three racks which are bracketed together and fastened to a wall. Select pieces of the same colour for the front, middle, and rear racks and place aside making sure that the front has the best bars.

Arrange four horizontal bars with the notches up for the rack. Join the vertical bars to the horizontal bars by interlocking the bars at notches.



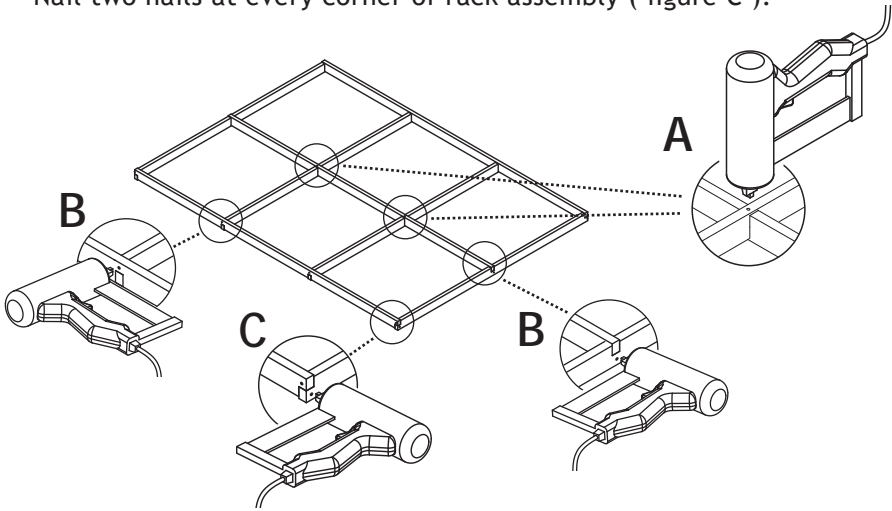
## STEP 2

### NAIL BARS :

Nail at intersections for a good hold ( figure A ) .

Nail through all outer bars into perpendicular bar ends ( figure B ) .

Nail two nails at every corner of rack assembly ( figure C ) .

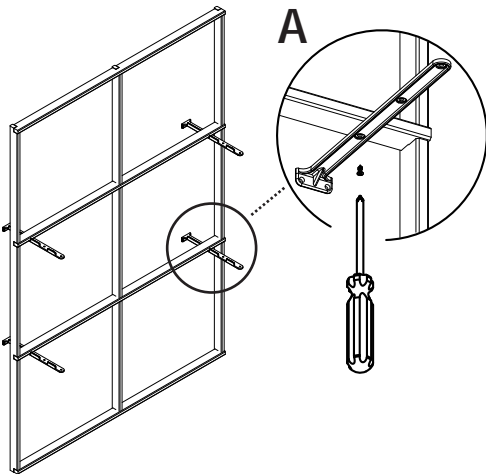


## STEP 3

### FASTEN BRACKETS TO REAR RACK :

Stand rear rack up in standing position with horizontal bars facing back. Fasten brackets to horizontal bars at the positions shown, with 1/2" screws through rear holes of brackets.

**NOTE :** Install bracket under horizontal bar (figure. A)



# STEP 4

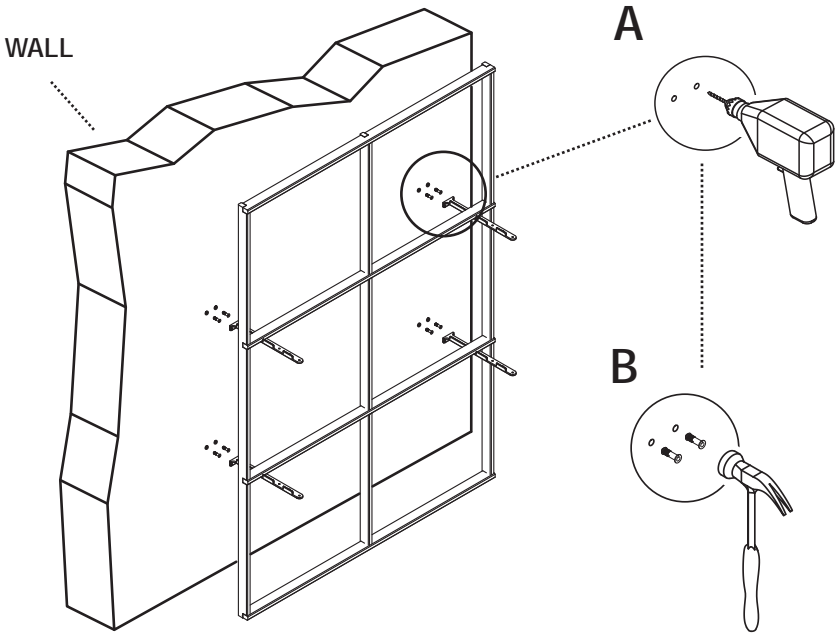
## INSTALLING ANCHORS :

**BEFORE ATTACHING TO WALL :** For a professional look, install a Base Trim Kit\* before mounting rack to wall. (Shown on last page)

Stand rear rack up against wall where it is to be fastened. Mark through bracket holes with a pencil where plastic anchors should be installed .

Drill 1/4" holes at the marks (figure A).

Tap in plastic anchors with hammer ( figure B ).



# STEP 5

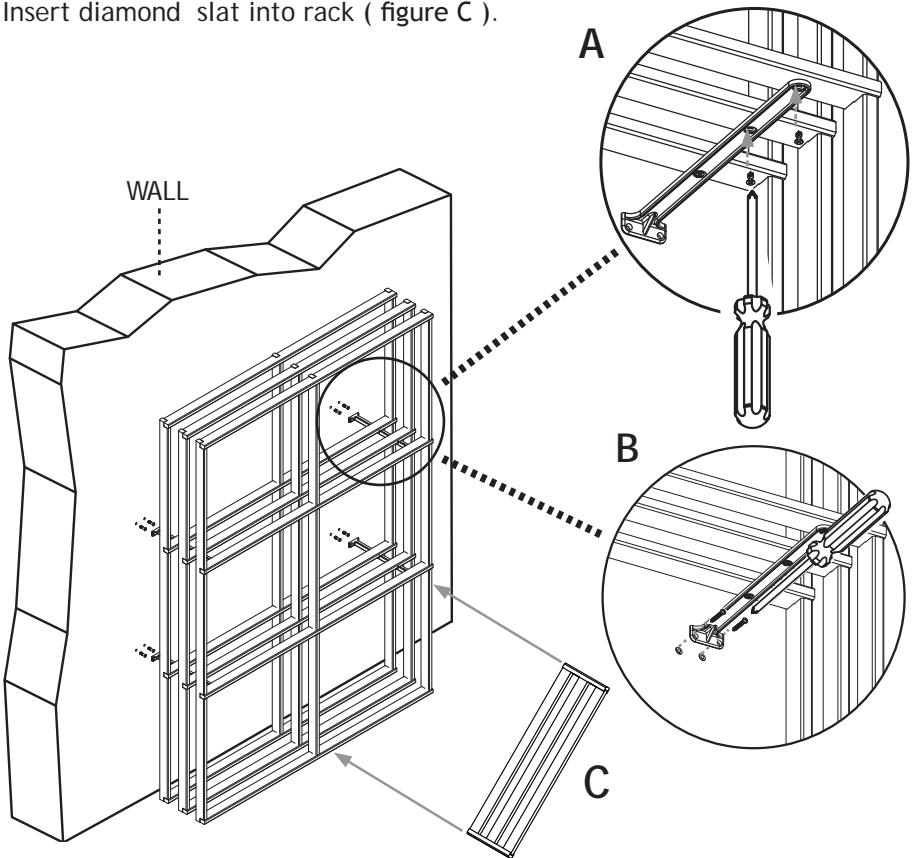
## FASTEN RACK TOGETHER AND TO WALL :

Stand middle rack in position with horizontal bars locked in middle bracket slot, horizontal bars facing forward. Fasten brackets to bars with 1/2" screws ( figure A ).

Stand front rack into position, horizontal bar facing forward and fasten bracket to bars with 1/2" screws ( figure A ).

Set rack assembly to wall lining up bracket holes and wall anchors. Screw in 1 1/4" screws to fasten brackets to wall ( figure B ).

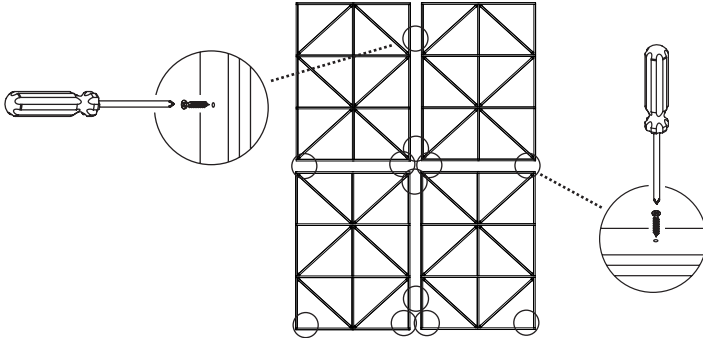
Insert diamond slat into rack ( figure C ).



# MULTIPLE MODULES

If installing multiple modules, screw adjoining racks together. Fasten through adjoining bars with 7/8" screws at top, middle and bottom rows, as shown (Take the diamond slats out for more space).

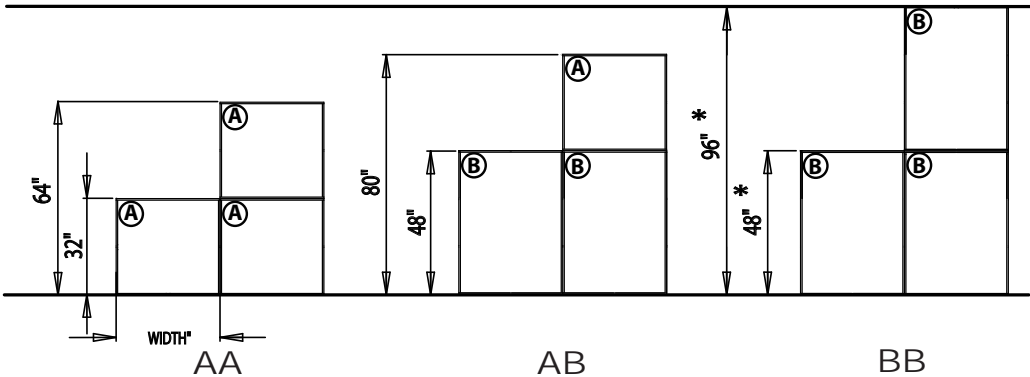
To avoid cracking, pre-drill 1/16" holes for screws. Fasten through rear rack sections as well as front. If stacking modules, fasten adjoining horizontal bars in at least two places. For additional strength and stability, fasten through bottom horizontal bars into base or floor with 7/8" screws or nails.



The stackable system is available in 2 heights A (32") and B (48") allowing for the following modularity:

Base / Crown molding and quarter round (optional) can be added to AA and AB configurations for 8' ceiling height.

Base / Crown trim addition to BB requires min. 99" ceiling height.



NOTE : All the above configurations assure alignment of modules  
 \* Nominal 48" B modules are 47 3/4" to allow for stacking in a nominal 8' ceiling room.

# TEST BEFORE USE

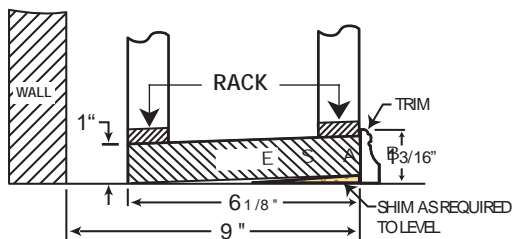
Use of Red Rack is strictly at your own risk. Koolr Products Inc. will not accept any responsibility or liability for damages resulting from units not assembled precisely as directed, or not securely fastened to a wall or support with suitable fasteners.

Before placing any bottles in your Red Rack, test it thoroughly to make sure all fasteners are secure.

## \* BASE AND TRIM KIT

Provides a solid base and professional finish for your WineRack project; The bases come in 3 different lengths 16", 32", 48" and two corner versions (convex and concave). You can order one directly from Koolr Products Inc. or from your dealer.

With base section in place, check for level and adjust with shims as required. When racks are in place, fasten the lower horizontal bars directly to Base with screws or nails. Nail moldings to face of base and racks.



### LIMITED WARRANTY

Koolr Products Inc. warrants this product to be free from defects due to workmanship or material, under normal use and service, for a period of one (1) year after the date of purchase. Please call our customer service department at 1-888-274-8813 or e-mail us at [info@koolrproducts.com](mailto:info@koolrproducts.com)

This warranty does not cover normal cosmetic wear, cosmetic defects, damage resulting from improper assembly or maintenance, shipping damage, accident, or any misuse, abuse or use contrary to the written instructions. This product is not warranted for commercial use.

The warranties expressed above constitute the entire warranty of Koolr Products Inc. with regard to its products and are in lieu of and exclusive of all other warranties, express or implied, including any of merchantability or fitness for a particular purpose. In no event shall Koolr Products Inc. be liable or responsible for incidental or consequential damages, including spoilage or breakage of wine. It is your own responsibility to insure your wine, and to take all reasonable and necessary precautions to safeguard its condition.