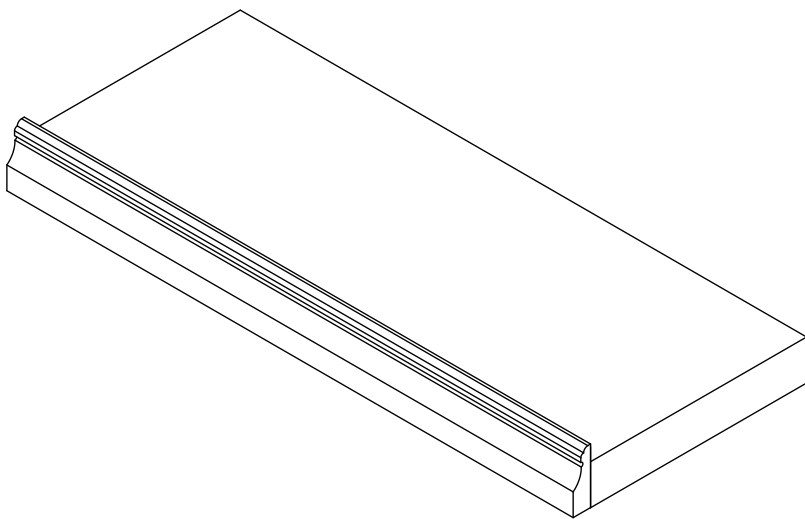


koolrTM
PRODUCTS

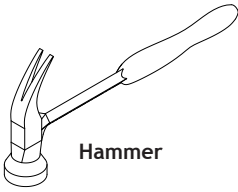
red rackTM

BASE AND TRIM

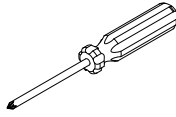


ASSEMBLY & INSTALLATION GUIDE

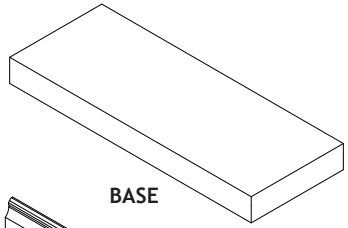
TOOLS AND COMPONENTS



Hammer



Phillips Screwdriver



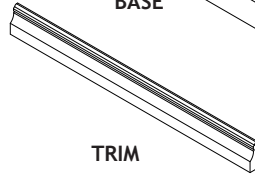
BASE



Nails x 8



7/8" Screws x 8

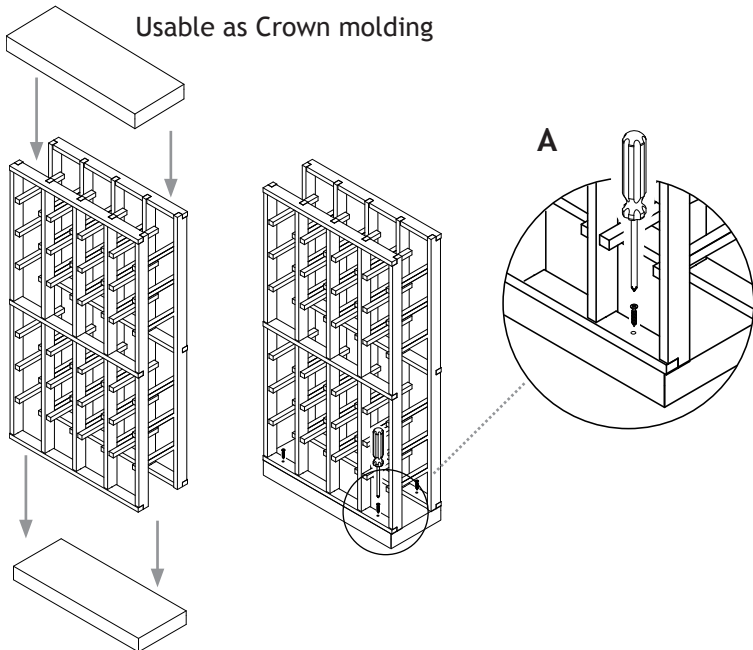


TRIM

ASSEMBLE RACK TO BASE

ATTACHING RACK TO BASE

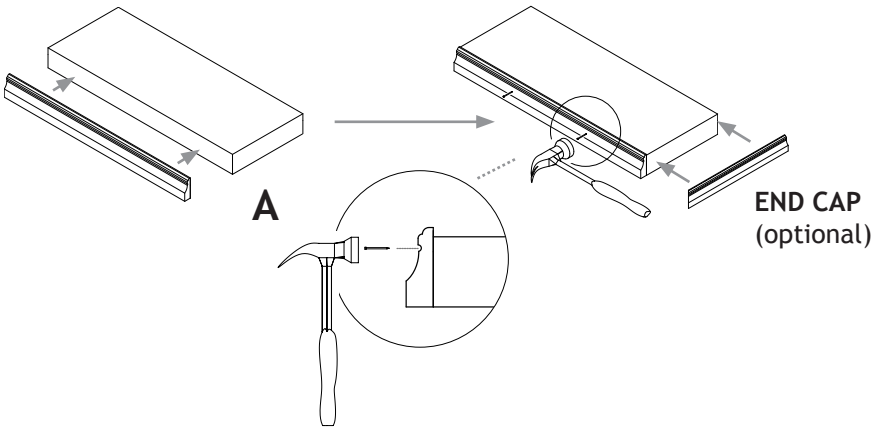
Screw through bottom horizontal bars into BASE* with 7/8" screws or nails (figure A). With base section in place, check level and adjust with shims as required.



ADD TRIM TO RACK AND BASE

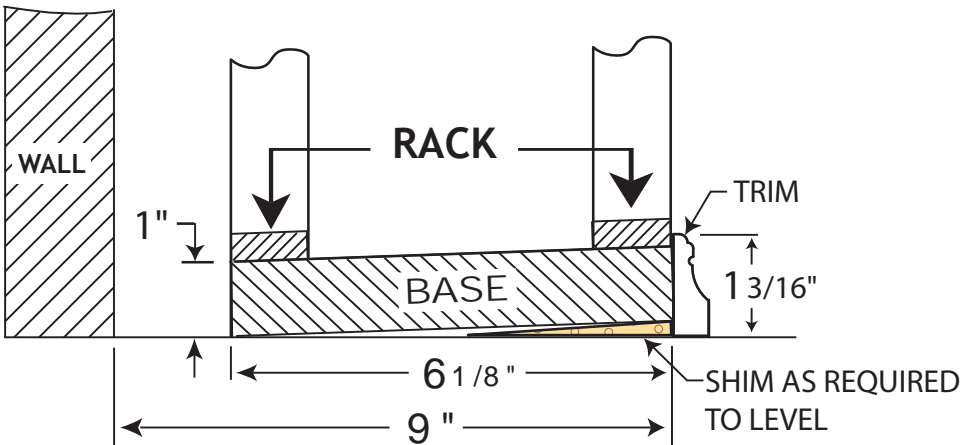
NAIL IN TRIM

Nail through TRIM* into BASE at groove to hide nails (figure A). Nail moldings to face of base and racks (see DETAIL B).



* If END CAP will be installed replace the trim with the one supplied in the END CAP set F23C

DETAIL B



TEST BEFORE USE

Use of Red Rack is strictly at your own risk. Koolr Products Inc. will not accept any responsibility or liability for damages resulting from units not assembled precisely as directed, or not securely fastened to a wall or support with suitable fasteners.

Before placing any bottles in your Red Rack, test it thoroughly to make sure all fasteners are secure.

LIMITED WARRANTY

Koolr Products Inc. warrants this product to be free from defects due to workmanship or material, under normal use and service, for a period of one (1) year after the date of purchase. Please call our customer service department at 1-888-274-8813 or e-mail us at info@koolrproducts.com

This warranty does not cover normal cosmetic wear/cosmetic defects, damage resulting from improper assembly or maintenance, shipping damage, accident, or any misuse, abuse or use contrary to the written instructions. This product is not warranted for commercial use.

The warranties expressed above constitute the entire warranty of Koolr Products Inc. with regard to its products and are in lieu of and exclusive of all other warranties, express or implied, including any of merchantability or fitness for a particular purpose. In no event shall Koolr Products Inc. be liable or responsible for incidental or consequential damages, including spoilage or breakage of wine. It is your own responsibility to insure your wine, and to take all reasonable and necessary precautions to safeguard its condition.

© Koolr Products Inc. 2011