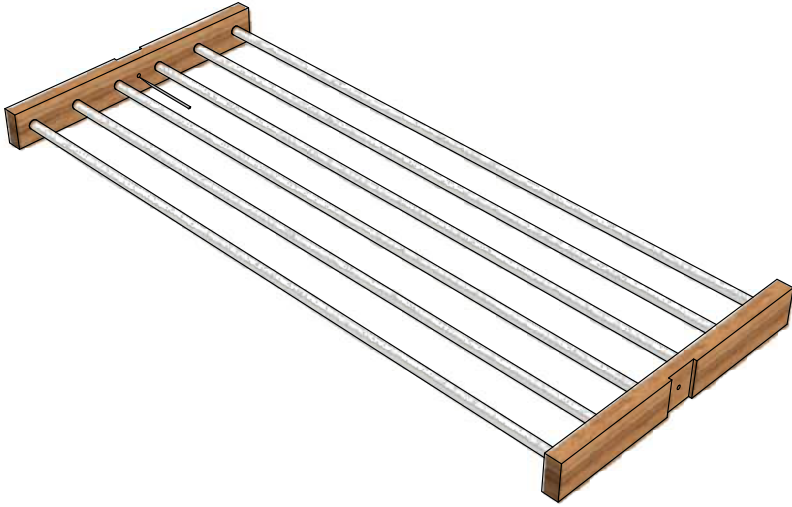
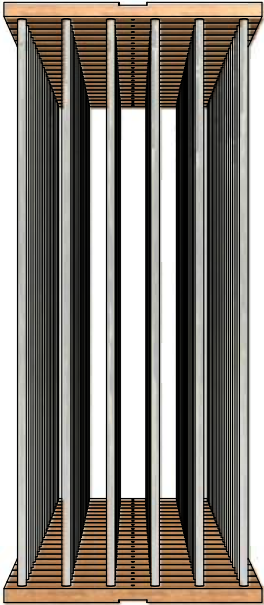


1) Standard shelves have been pre assembled. For easier and faster installation, **keep transparent plastic film in place.**

2) Lay down the two square tubes in parallel. Make sure the holes are in alignment.

3) Screw in the top and bottom shelves to the square tubes. (If you have a wooden shelf, U shelf or glass rack make sure to install them first)

You can use a nail to help align the wood block with holes of the square tube. (See fig. 3b)



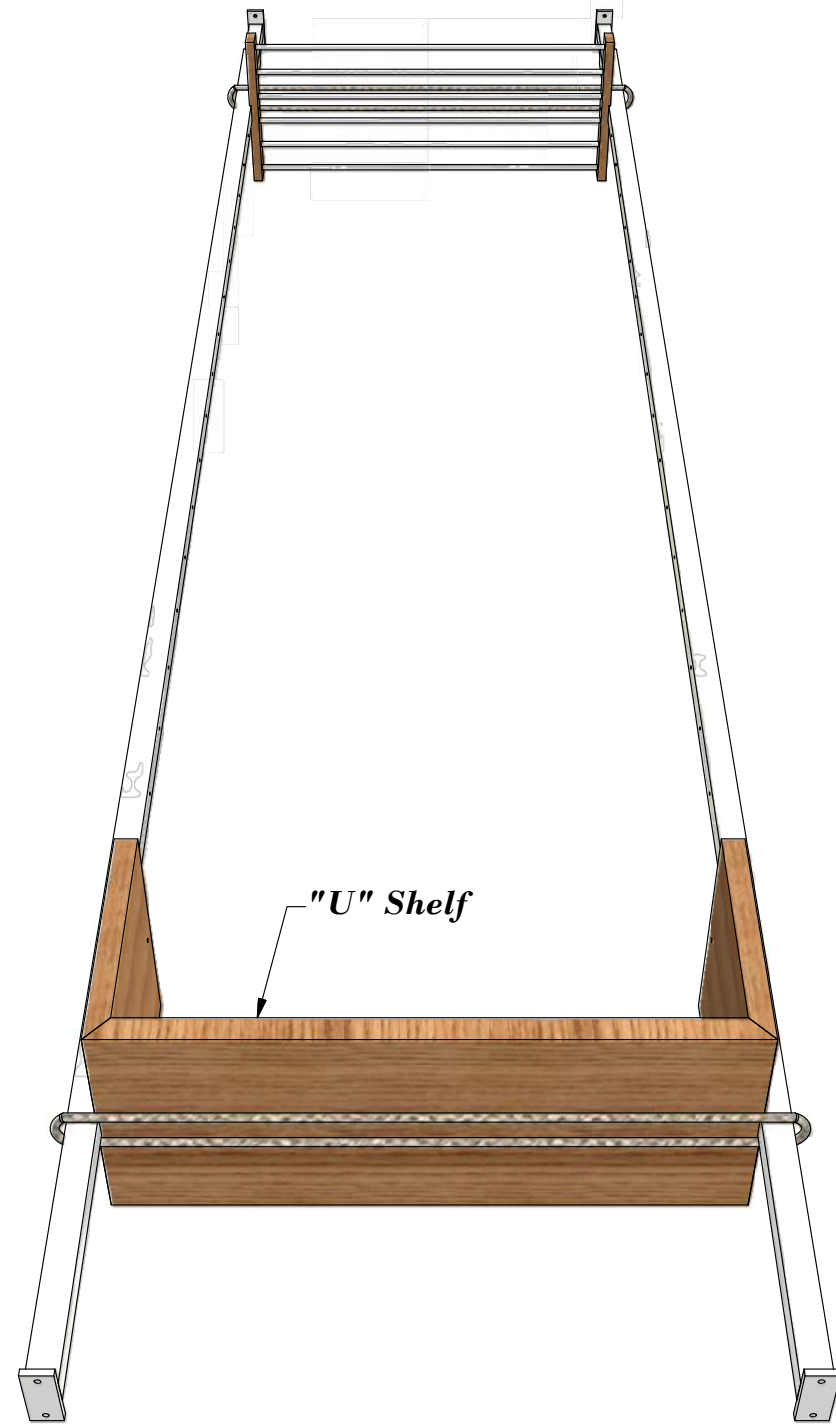
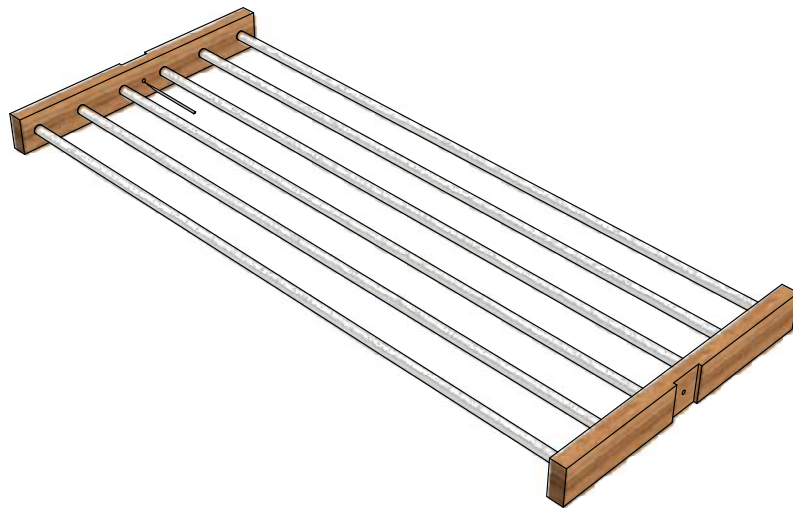
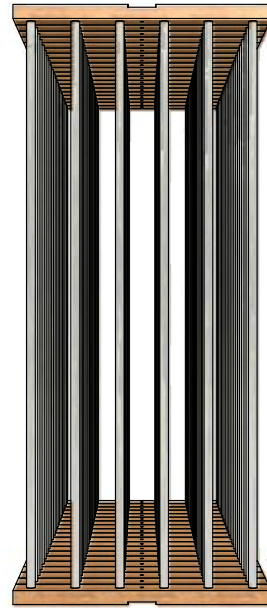
Then, install the elastic bands above and below the two shelves.

1) Standard shelves have been pre assembled. For easier and faster installation, keep transparent plastic film in place.

2) Lay down the two square tubes in parallel. Make sure the holes are in alignment.

3) Screw in the top and bottom shelves to the square tubes. (If you have a wooden shelf, U shelf or glass rack make sure to install them first)

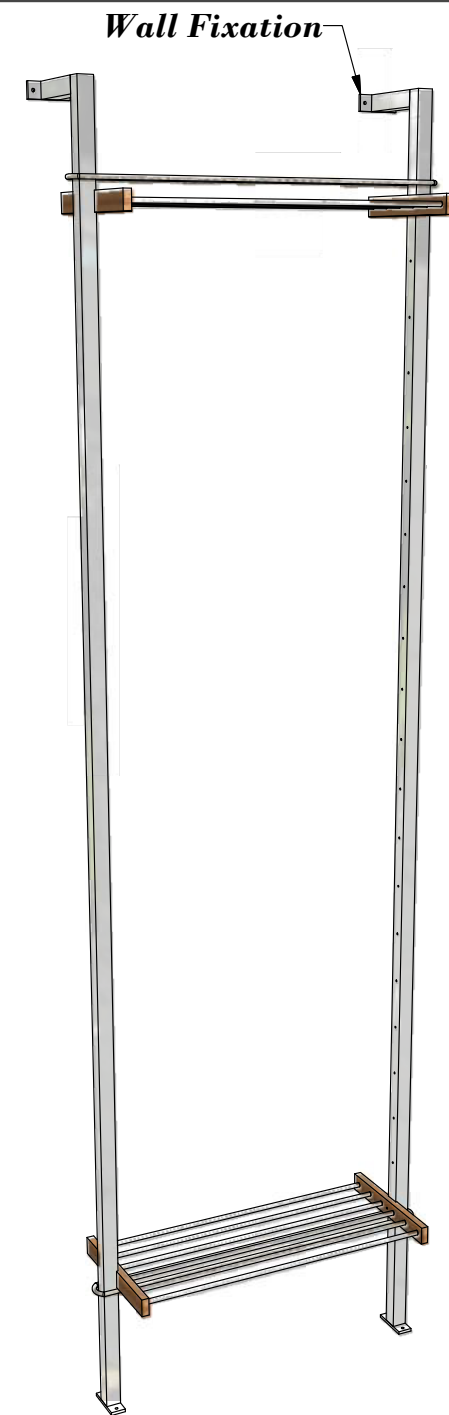
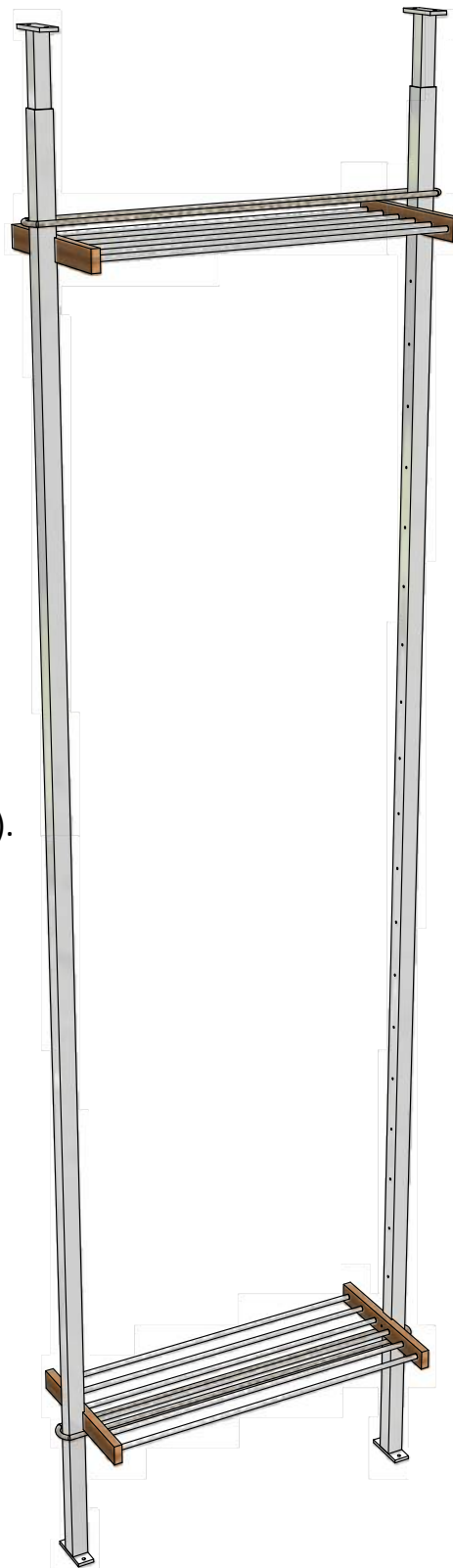
You can use a nail to help align the wood block with holes of the square tube. **(See fig. 3b)**



Elastic Bands are adjustable

a) Pass the elastic band into the hole at the base of the hook

b) Pass the elastic band's extremity through the opening of the hook, then fold it back and secure it into the crease



Wall Fixation

25'' of bungee for Millesime single width (17'').
48'' of bungee for Millesime double width (29'').
68'' of bungee for Millesime triple width (41'').

4) Place the racking in position

Insert the telescopic legs at the top of the racking and the short legs at the bottom.

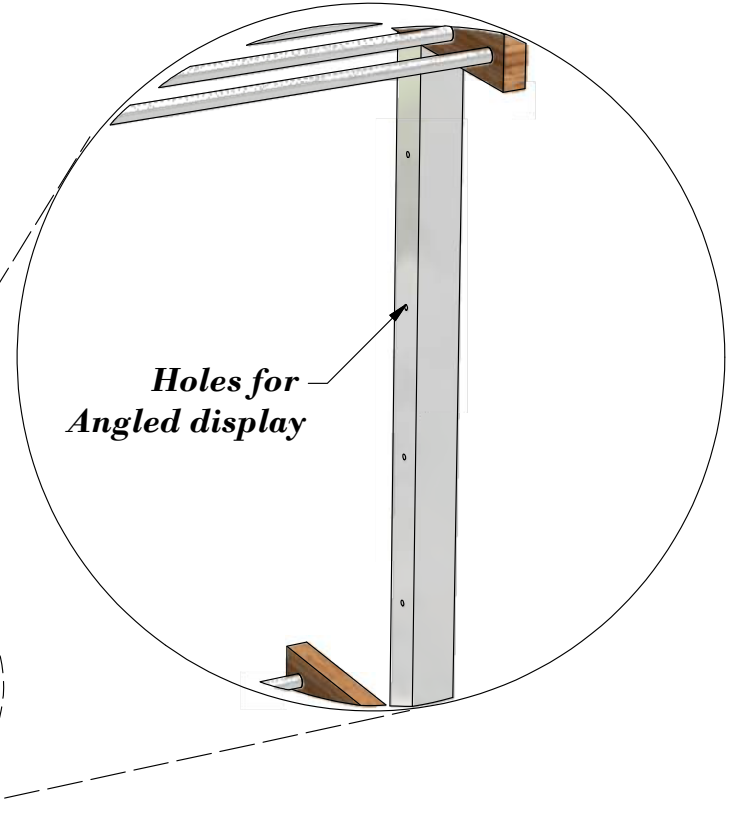
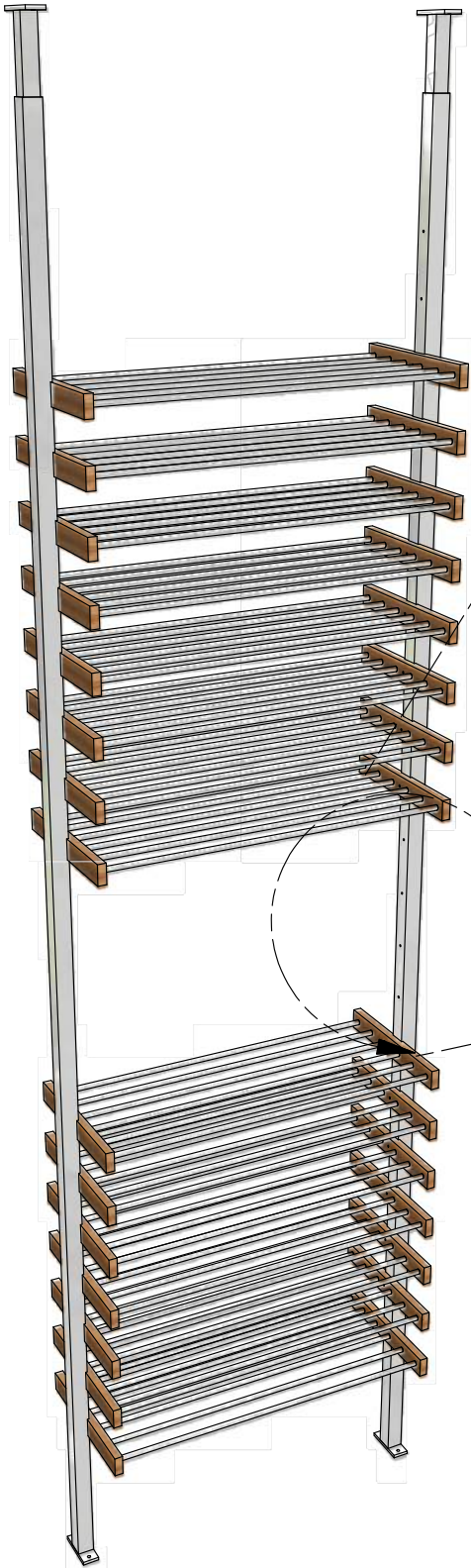
Screw into the floor the bottom legs first, then the top legs to the ceiling wall or wall if you have chosen wall fixtures.

To install, use proper screws to fit your type of materials (Not included)

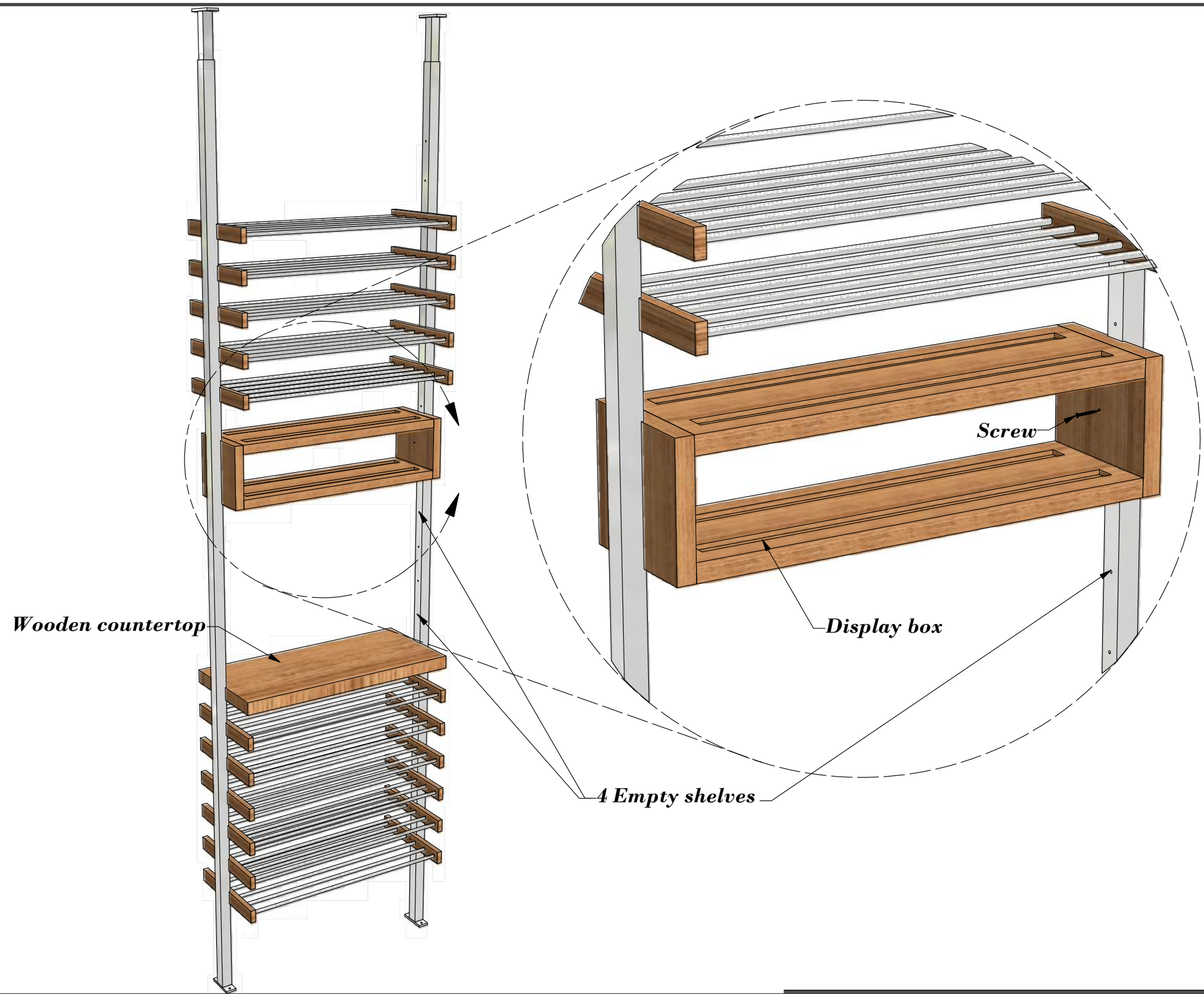
5) Release the elastic bands from top and bottom and set one in the center of the rack



6)Screw in the other shelves
For the display shelves, wait for step 7 before installing. (Make sure to leave 2 free slots for each shelf)

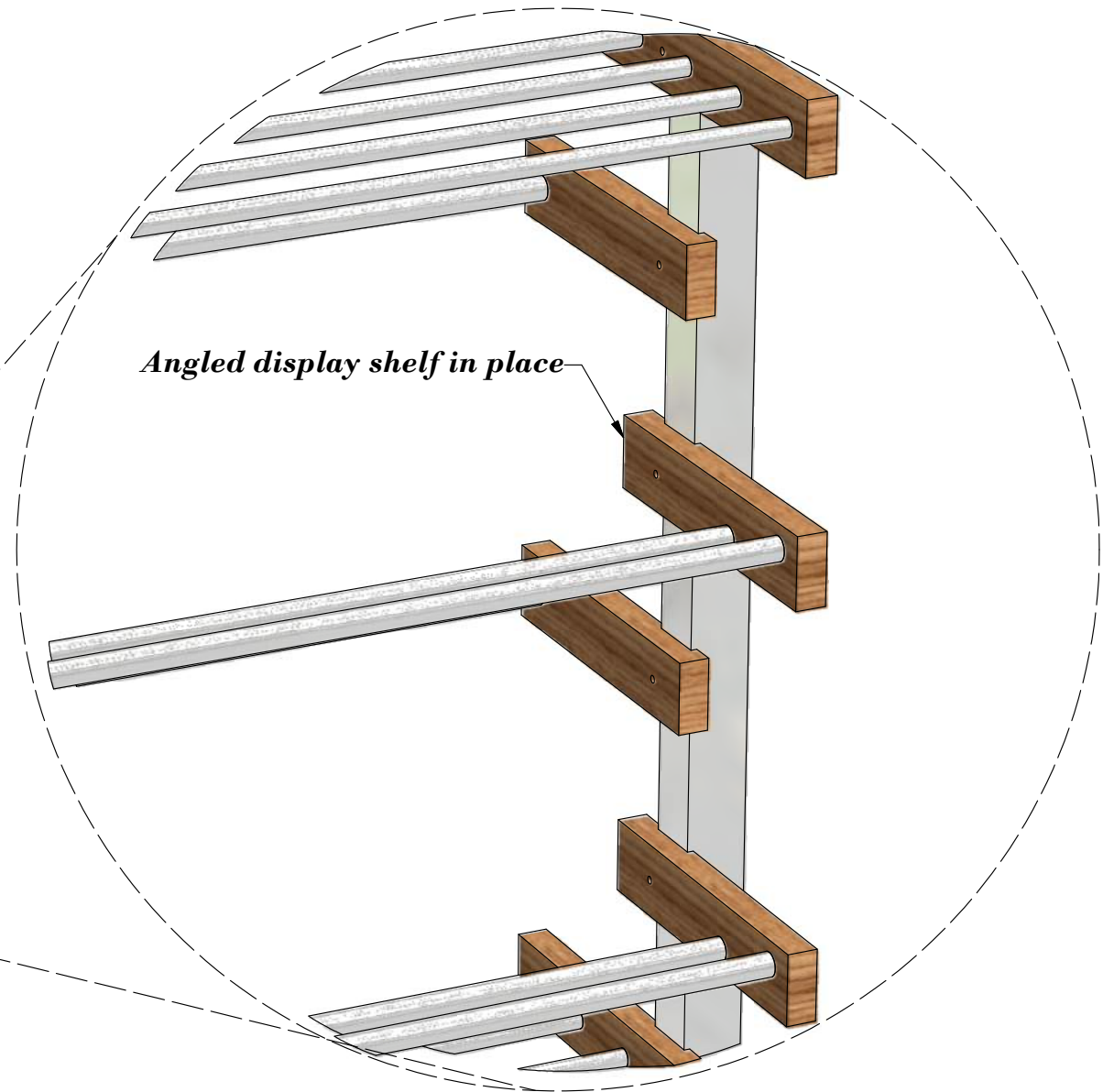
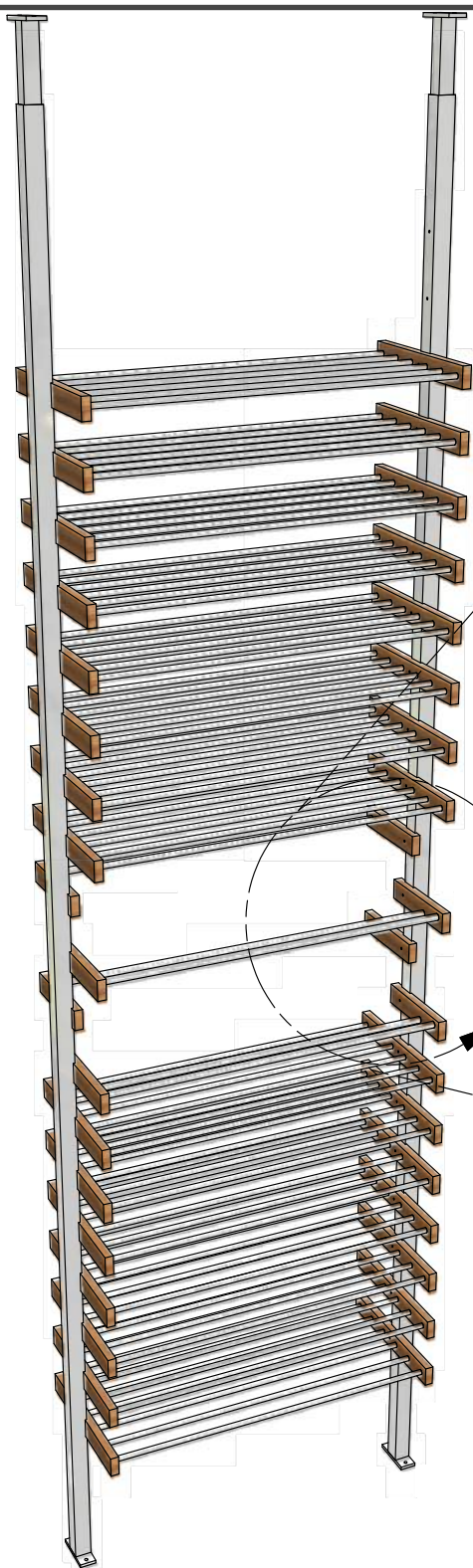


Holes for Angled display



7) Screw in the display shelves

Each shelf comes in 2 sections. The shelf with 2 rods goes at the front of the rack (with the foremost rod being higher), while the shelf with 1 rod goes at the back above the shelf with 2 rods.)



Angled display shelf in place

8) Release the elastic band and get rid of the transparent plastic film