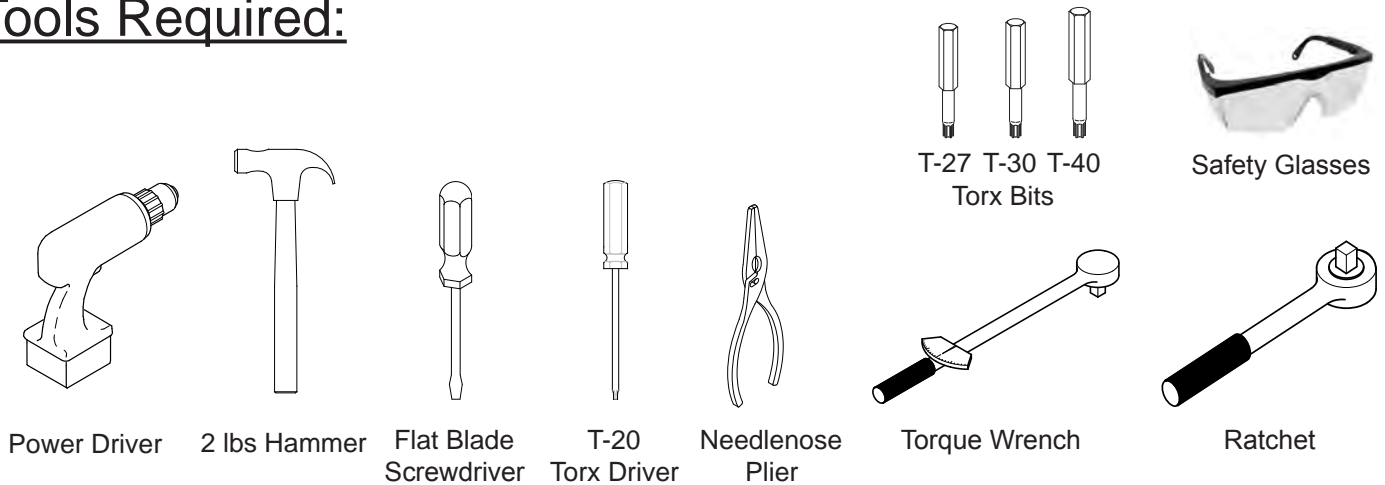




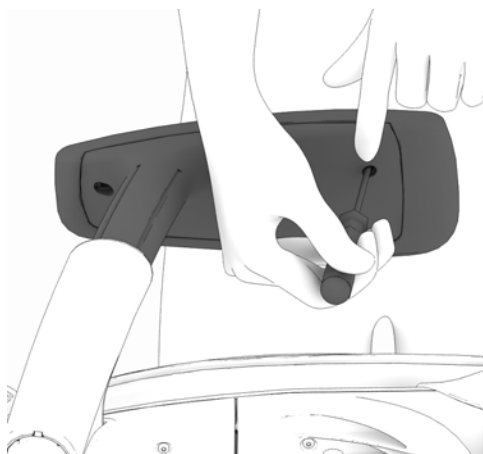
Tools Required:



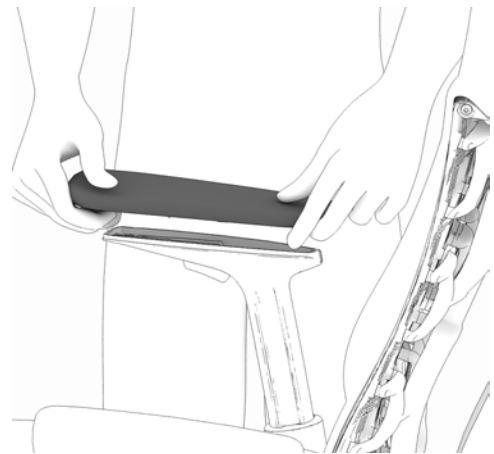
Materials Identification and Segregation:

Where possible, plastic components are marked with ASTM recycling codes. Use these codes to identify material type for recycling. Non marked components should be treated as mixed plastic. Ferrous metals can be identified using a small magnet for recycling. Non-ferrous metals should be separated and recycled separately.

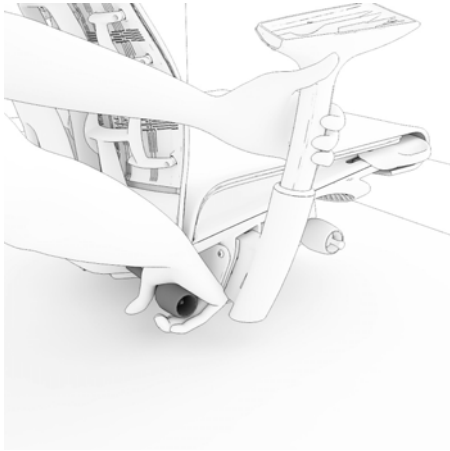
Disassembly Steps:



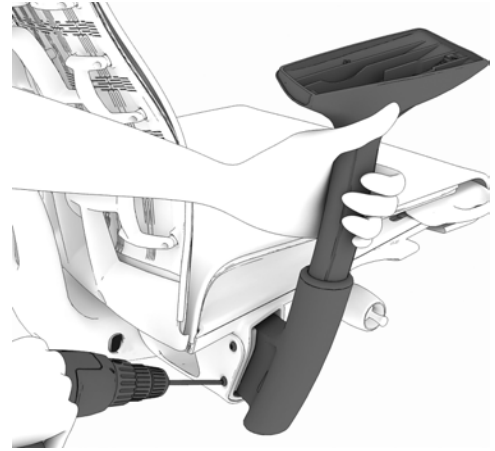
1. Remove front and back screws of arm pad using T-20 torx driver.



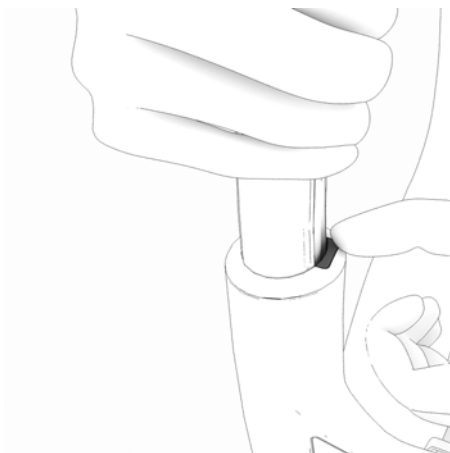
2. Remove arm pad. Repeat for opposite side.



3. Pull to remove back angle adjust handle.



4. Remove both bolts using power driver to remove arm. Repeat for opposite side.

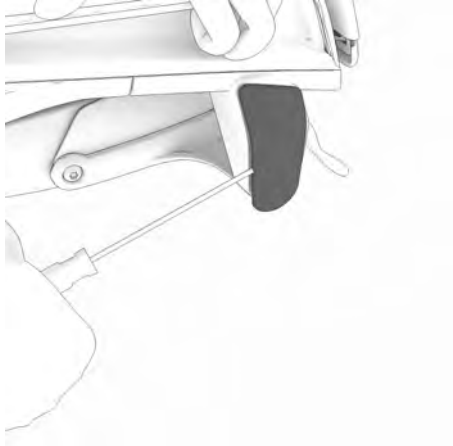


5. Depress the button.



6. Pull out the arms from bottom assembly.

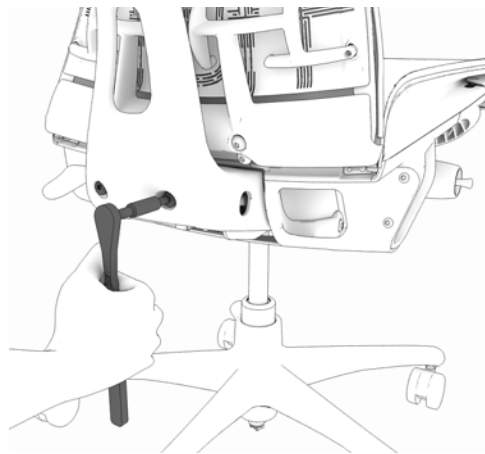
No Arm Plugs:



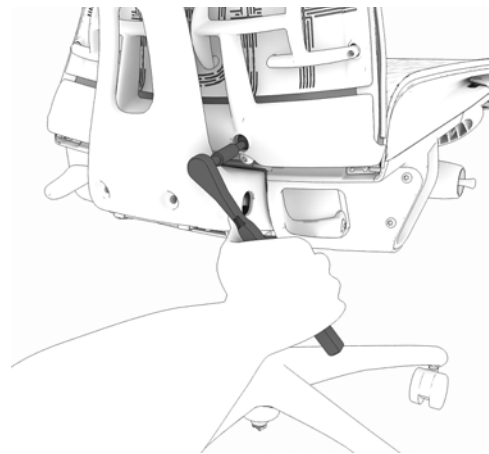
7. Pry up gently until no arm plug attachment is loose.



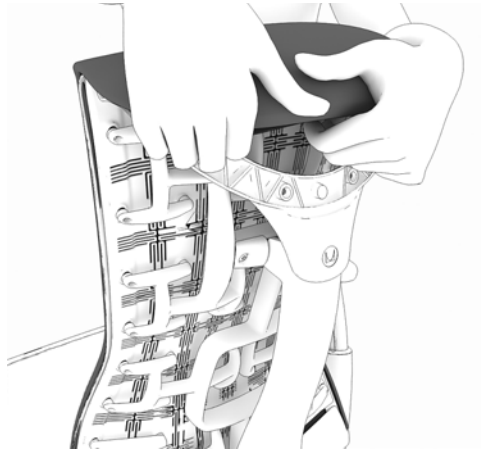
8. Pull to remove no arm plug. Repeat for opposite side.



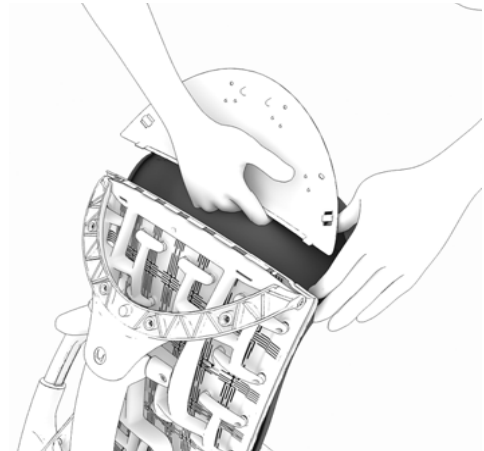
9. Remove both lower spine bolts using T-40 torx wrench.



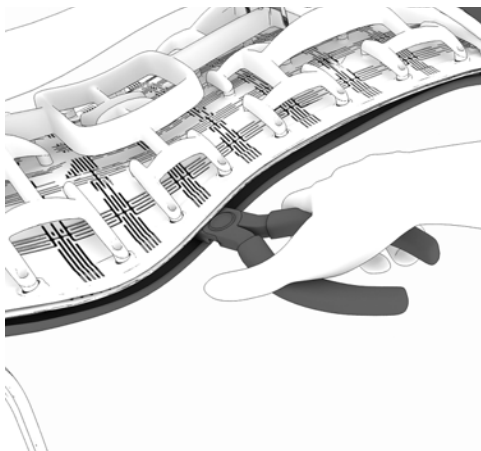
10. Remove both lower back bolts using T-40 torx wrench.



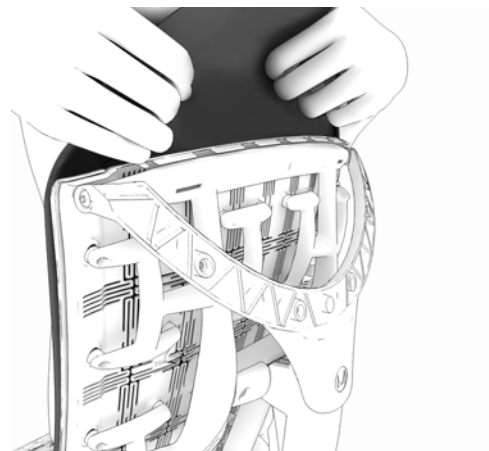
11. Slide your finger between the antler and the fabric cover and pull up to release the dome trees from the antler.



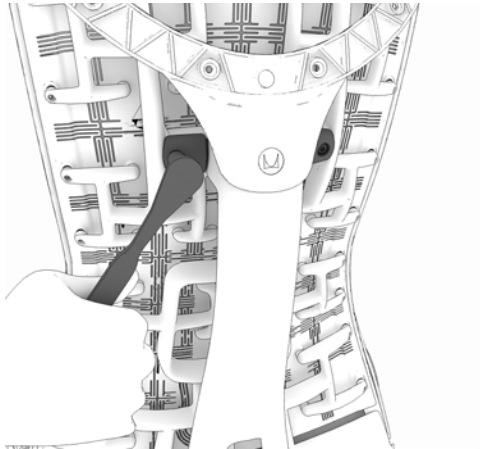
12. Remove the dome separately.



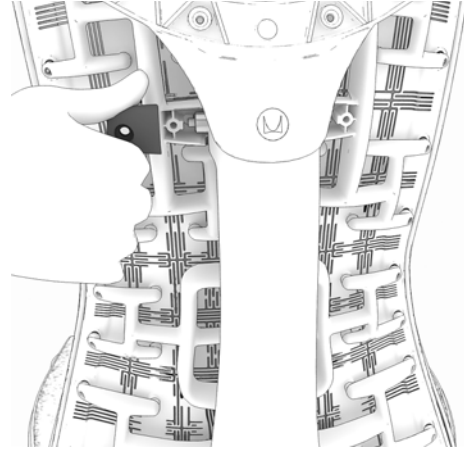
13. Insert needlenose plier between fabric and wiffle material. Twist plier until attachment pegs pop loose. Repeat for all pegs.



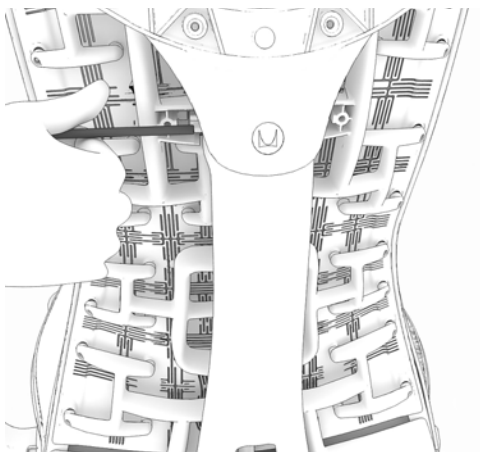
14. Remove fabric separately.



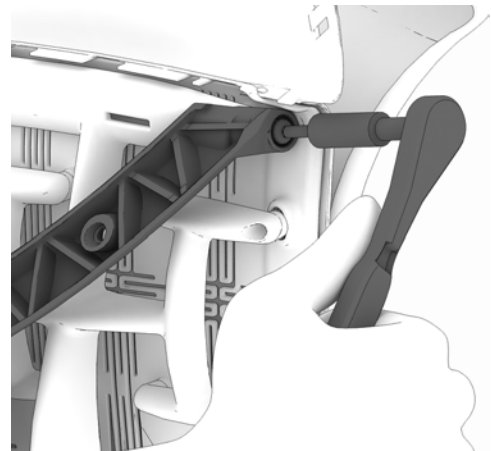
15. Using T-27 torx wrench, remove both spine cap screws.



16. Remove hinge covers.



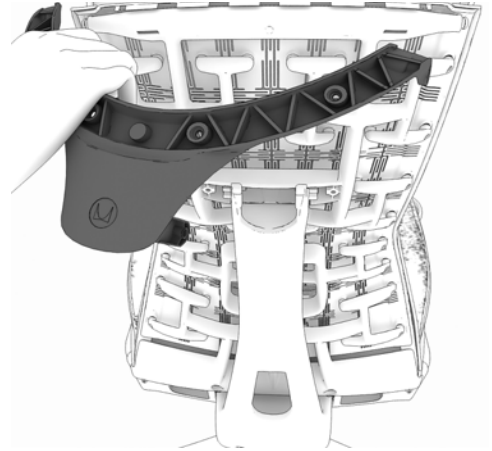
17. Pull out pivot pin.



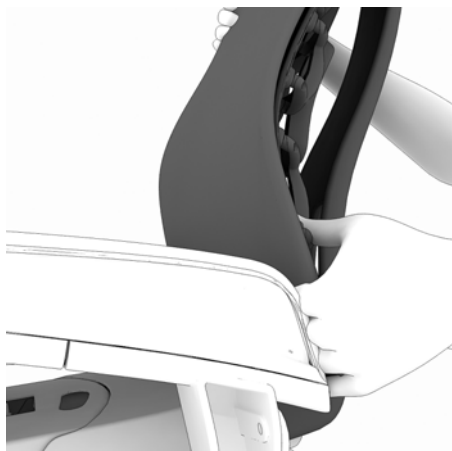
18. Remove the two top antler attachment screws using a T-27 torx wrench.



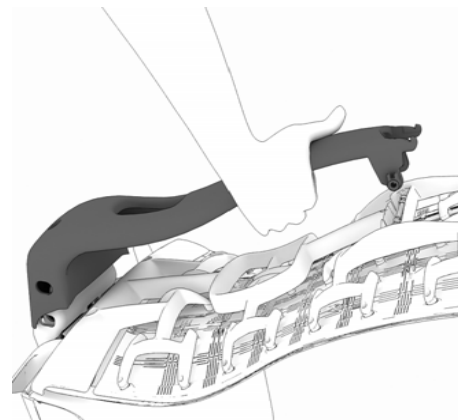
19. Lift up on antler to release it from spine.



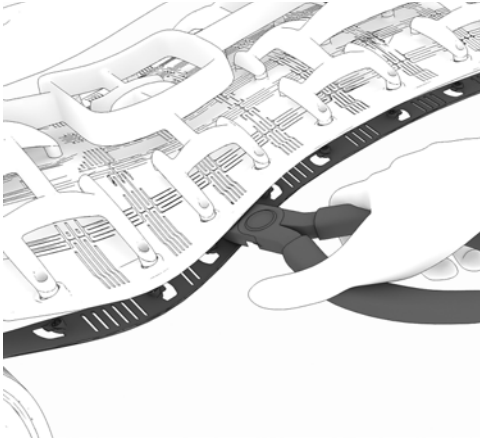
20. Pull one end of the antler away from top frame and remove.



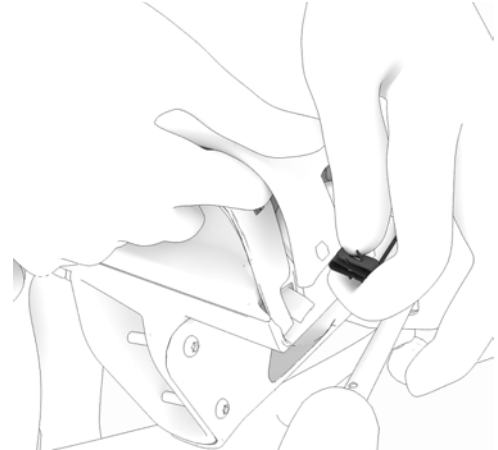
21. Remove back.



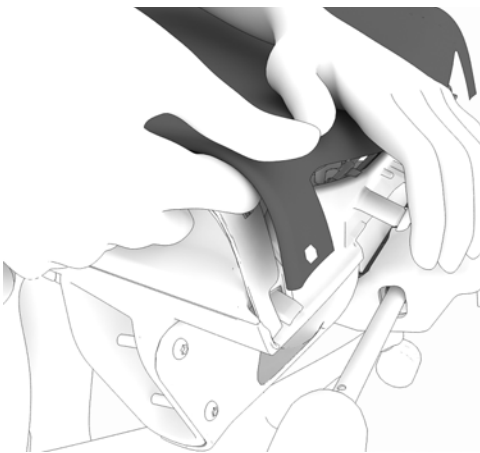
22. Pull out spine cover from back assembly.



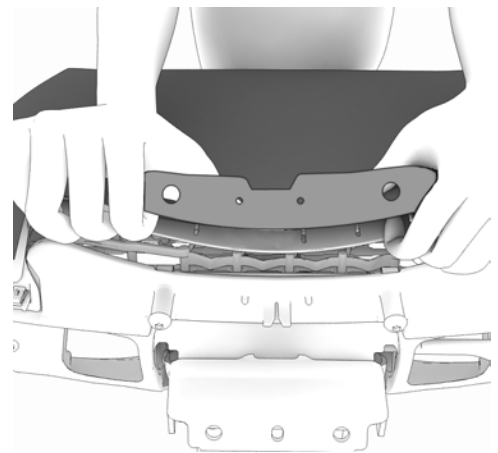
23. Insert needlenose plier between back strap and twist plier until attachment loose.



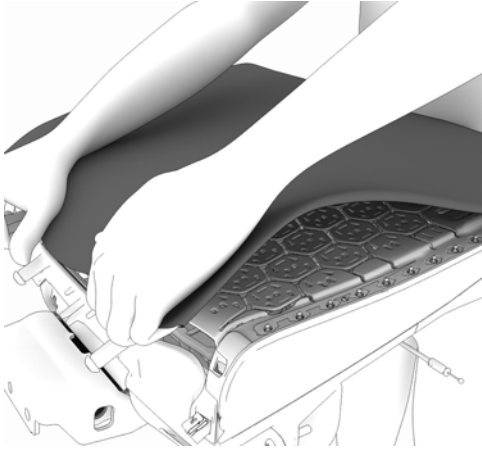
24. Remove both "S" clips.



25. Remove back corners of fabric from clip posts.



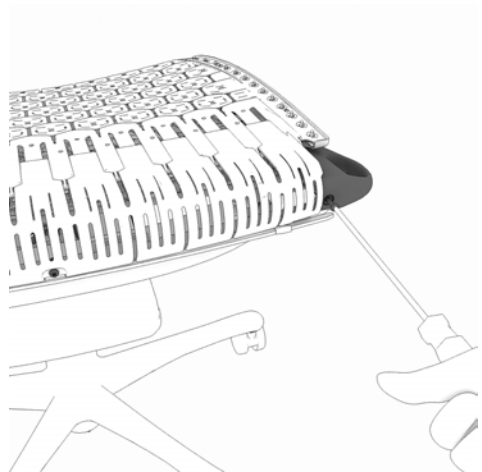
26. Disengage the fabric from rear mount posts.



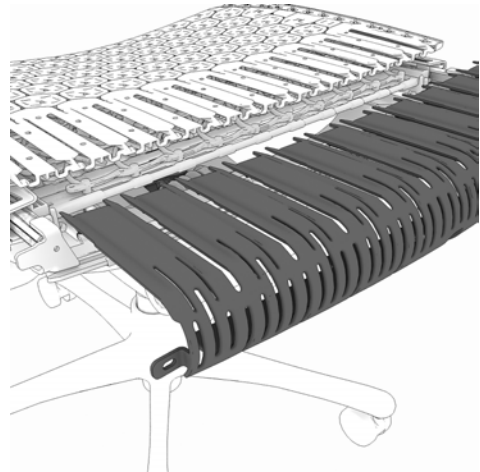
27. Remove the fabric from the seat.



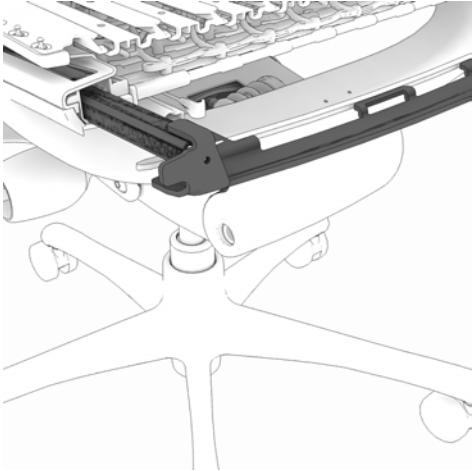
28. Peel the strip from seat fabric.



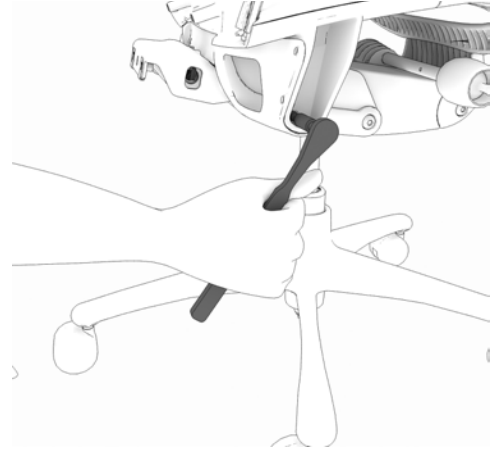
29. Unscrew and remove handle using screw driver from seat assembly. Repeat other end.



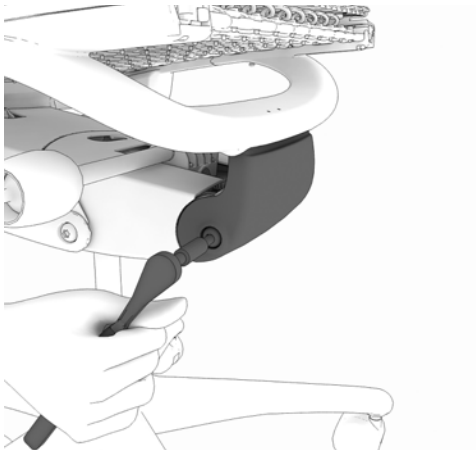
30. Unscrew and remove bull nose.



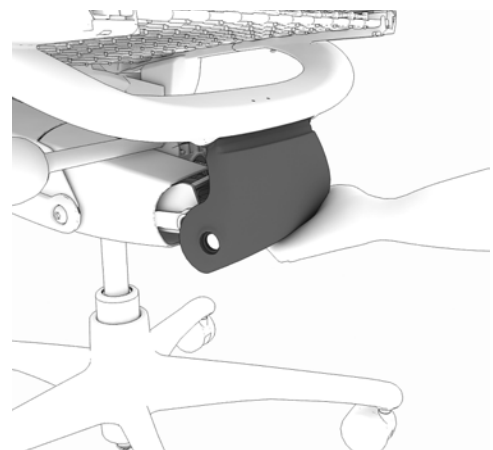
31. Remove weldment from seat assembly.



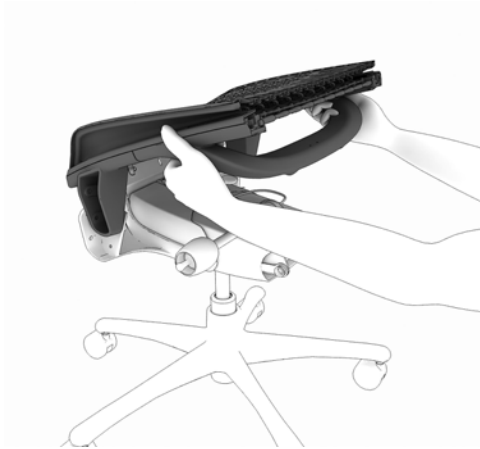
32. Remove single lower bolt from each arm housing using T-27 torx wrench. Repeat for opposite side.



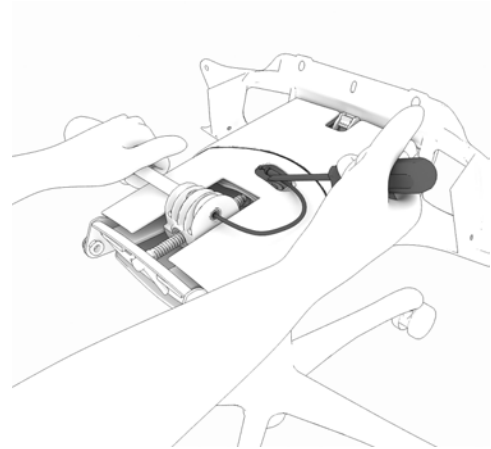
33. Remove two lower front link shoulder bolts and bushings using T-40 torx wrench.



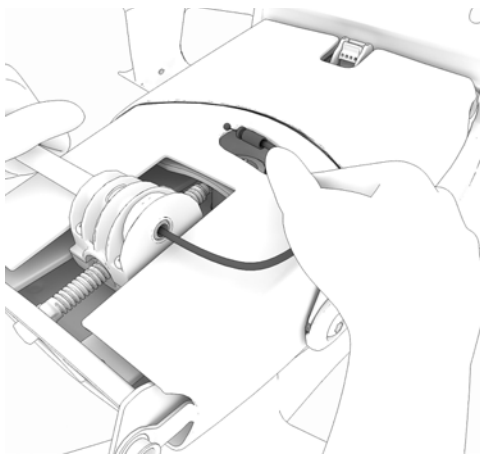
34. Pull lower cover forward to remove.



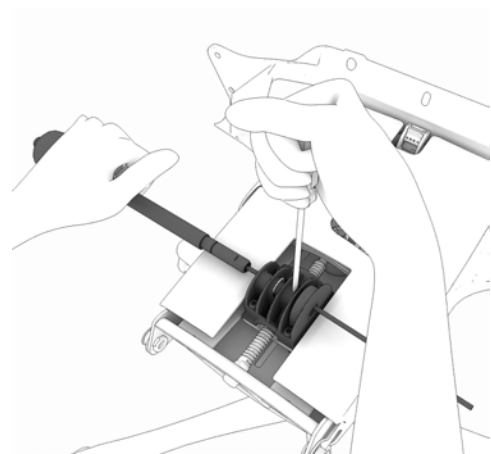
35. Lift up front of seat assembly and remove.



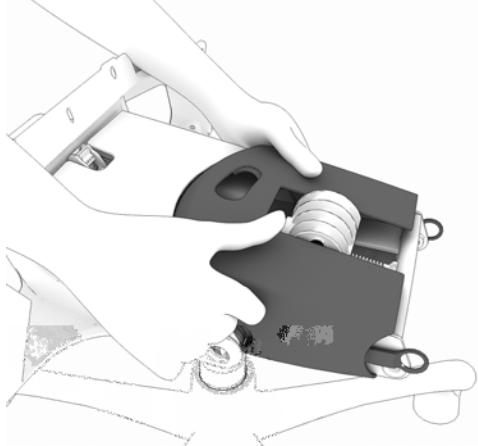
36. Locate wire clip for tilt tension knob. Slide flat blade screwdriver under cable collar. Pry up gently until cable collar is free.



37. Grasp the cable and push it forward to release ball end from cylinder.



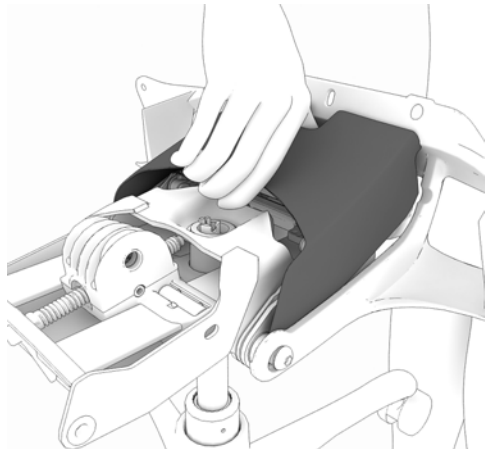
38. Hold the Knob assembly using a flat blade screw driver. Pull the tension knob using other hand.



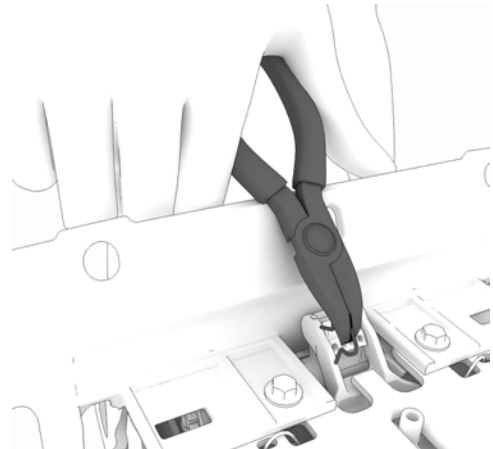
39. While pulling out on front ears, pull front tilt cover forward and out.



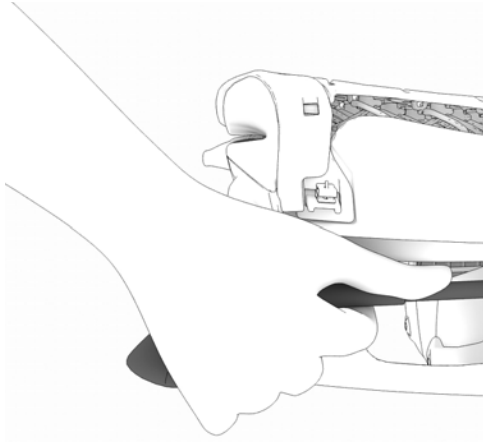
40. Slide flat blade screwdriver along side of rear tilt cover and pry off.



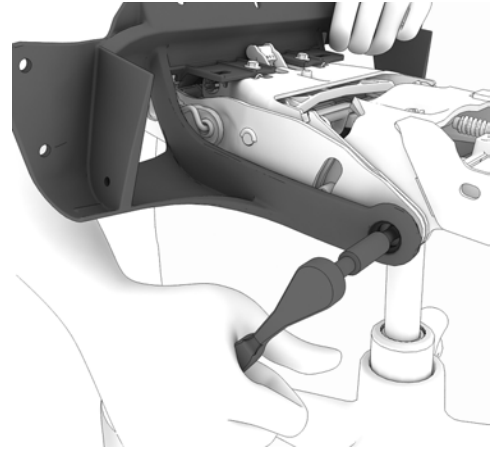
41. Rotate back of rear tilt cover up and pull off.



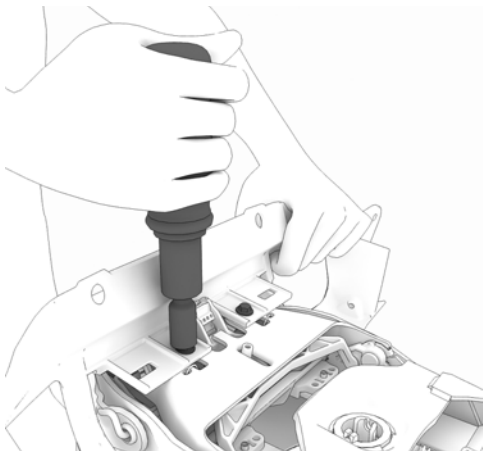
42. Remove wire clip from tilt tension knob assembly.



43. Remove tilt lock lever down to unlock position.



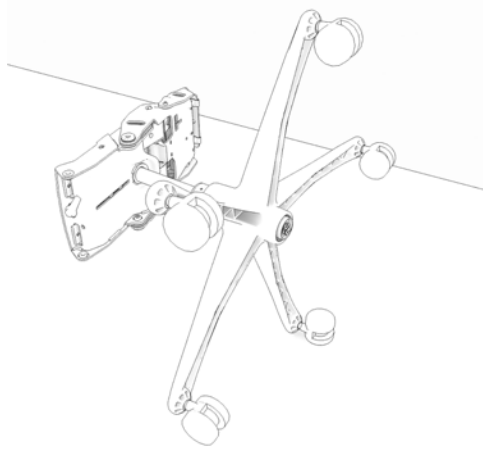
44. Remove shoulder bolt and flange bushing from each side of rack.



45. Remove 2 hex washer head screws.



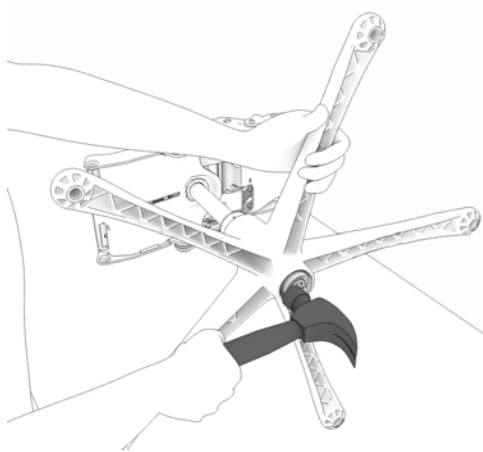
46. Rotate rack and pull free from assembly.



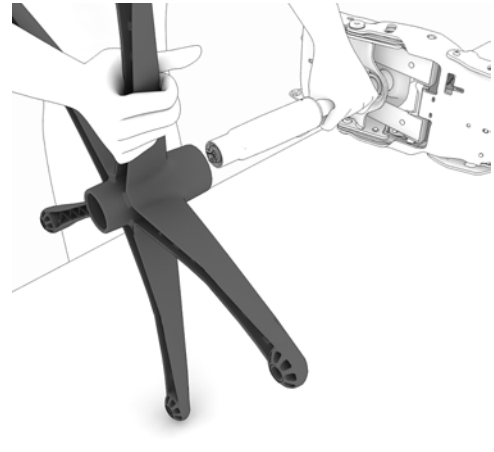
47. Lay chair on back.



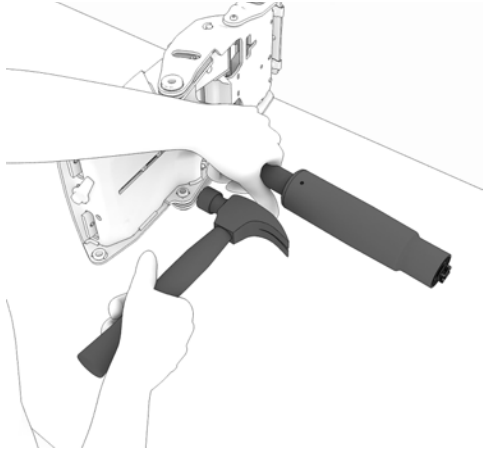
48. Grasp and pull to remove casters from the base.



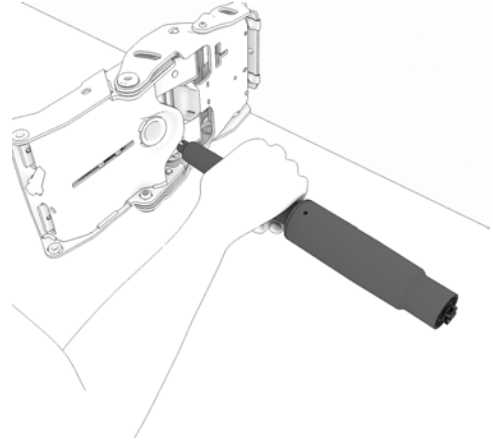
49. Hold base legs firmly and strike the bottom of cylinder with a 2 pound hammer until base comes loose.



50. Remove base.



51. Hit the bottom of the chair with hammer until cylinder separates from chair.



52. Pull out the cylinder from assembly.