

# HermanMiller

## Aeron



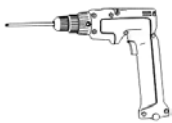
For more information about our products and services or to see a list of dealers, please visit us at [www.hermanmiller.com](http://www.hermanmiller.com) or call 888 - 443 - 4357.

© 2016 Herman Miller, Inc., Zeeland, Michigan Printed in U.S.A. Part No. 1BHGK - A.

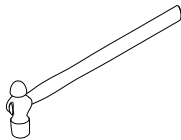
### Tools Required



Safety Glasses



Electric Drill



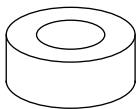
Hammer



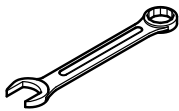
Punch



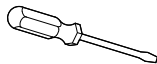
T27 Torx driver



Nylon cap



Wrench 10 mm



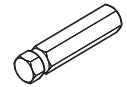
Flat screw driver



Special punch with recess



T40, T25 Torx bit



5mm, 6mm Hex bit

### Step 1

1.1 Remove the four back bolts using 5mm Hex bit.



## New Aeron Disassembly for Recycling

### Materials Identification and Segregation:

Where possible, plastic components are marked with ASTM recycling codes. Use these codes to identify material type for recycling. Non marked components should be treated as mixed plastic. Ferrous metals can be identified using a small magnet for recycling. Non-ferrous metals should be separated and recycled separately.

1.2



1.3 Detach the Back from the chair



## Step 2

2.1 Remove the bolt from the right swing arm.



2.2 Right hand arm has right hand drive threads.

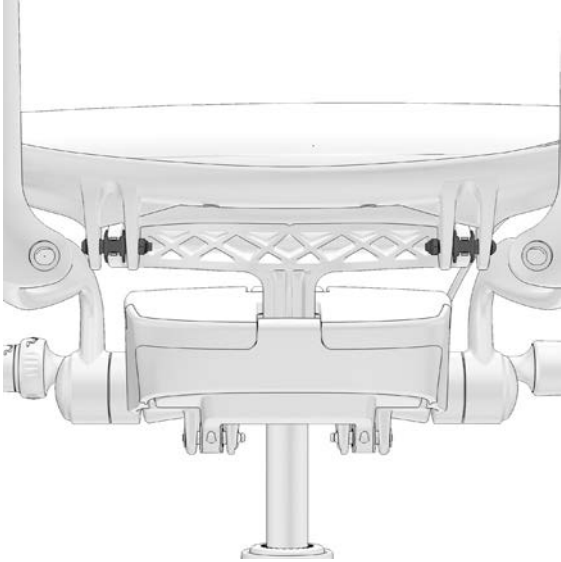


2.3 Follow the previous steps to remove the left arm. Left hand arm has reverse left hand drive threads.



### Step 3

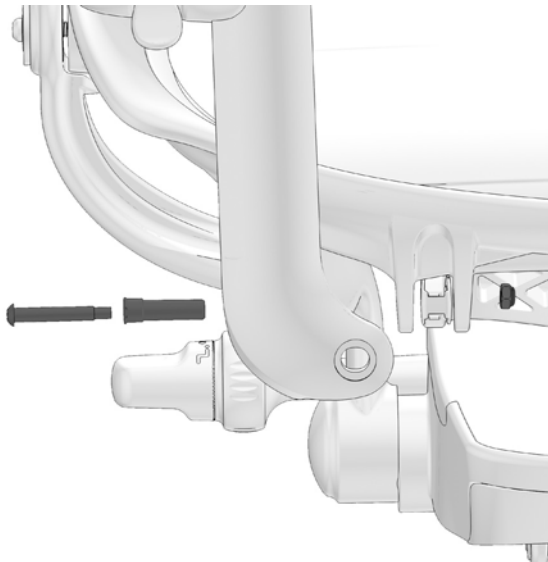
3.1 Remove nut and shoulder bolt



3.2 Use T27 Torx driver and 10 mm wrench



3.3



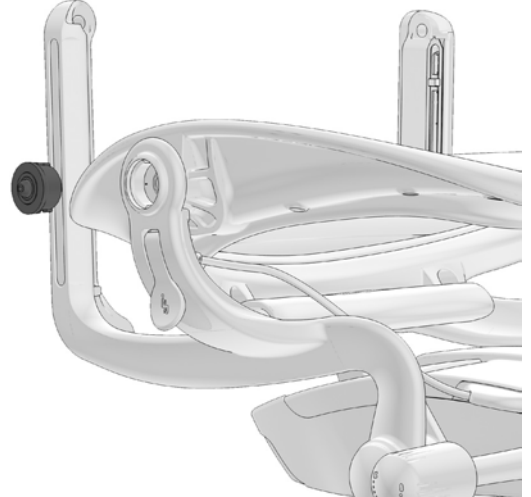
3.4 Follow previous steps to remove the right side nut and shoulder bolt



3.5 Use 6 mm drill bit to remove the bolt from the swing arm

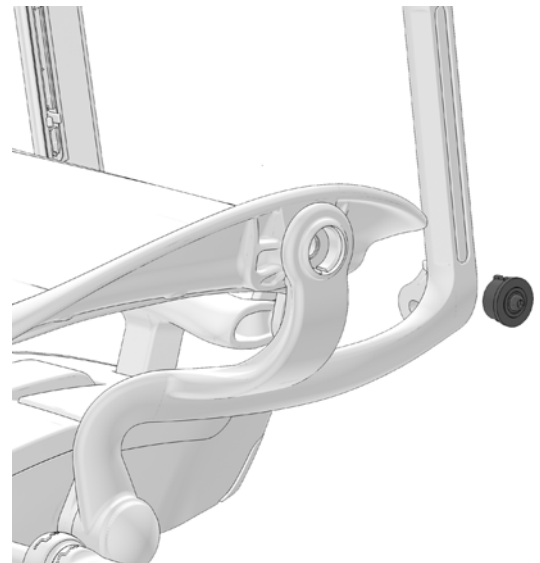


3.6



3.7 Follow the previous step to remove the bolt on the other side.

3.8

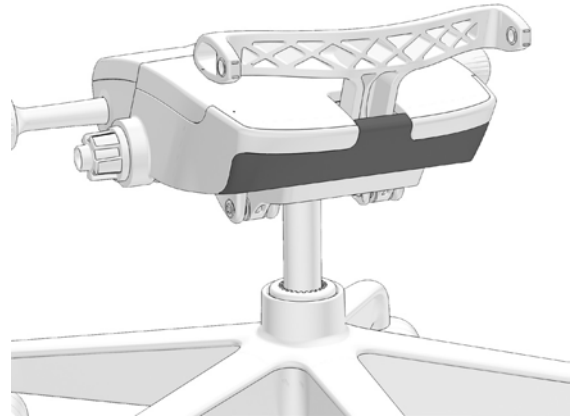


3.9 Detach the seat from the swing arm

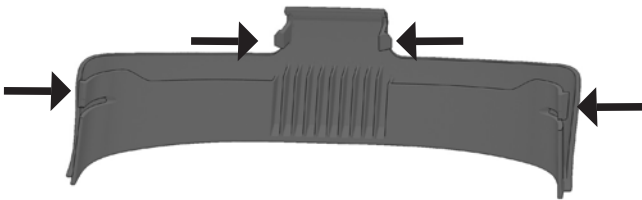


**Step 4**

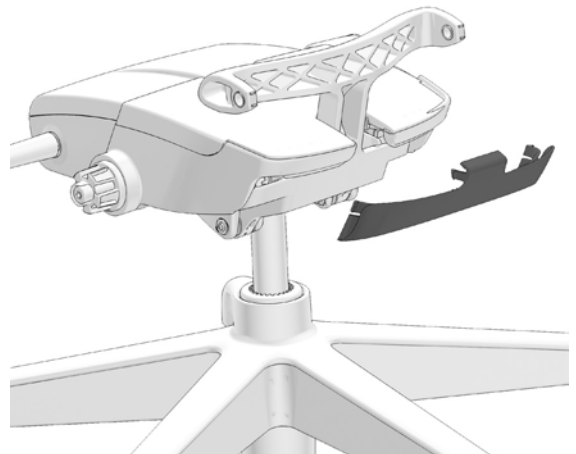
4.1 Remove the lower cover by releasing the 4 snaps



4.2 Squeeze the snaps as indicated below to remove the cover

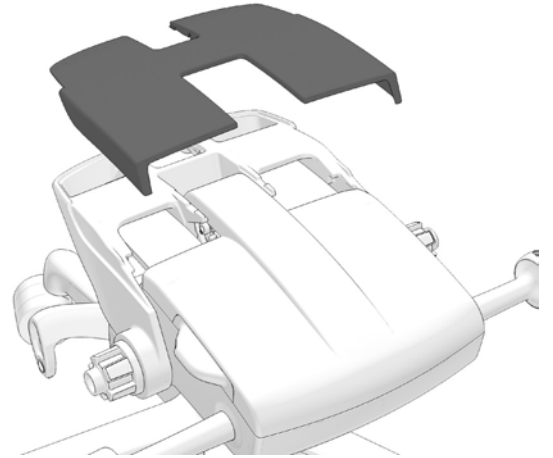
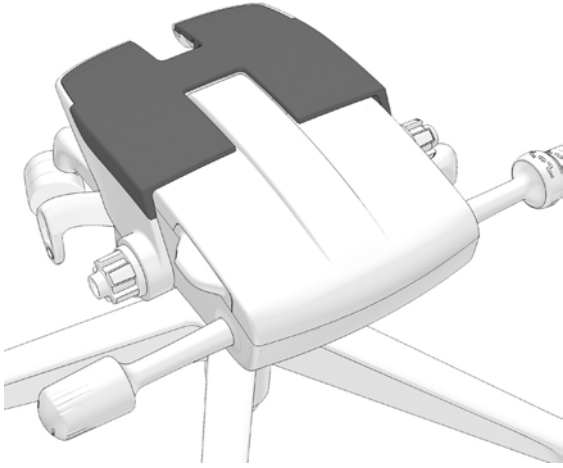


4.3 Detach the lower cover from the tilt assembly.



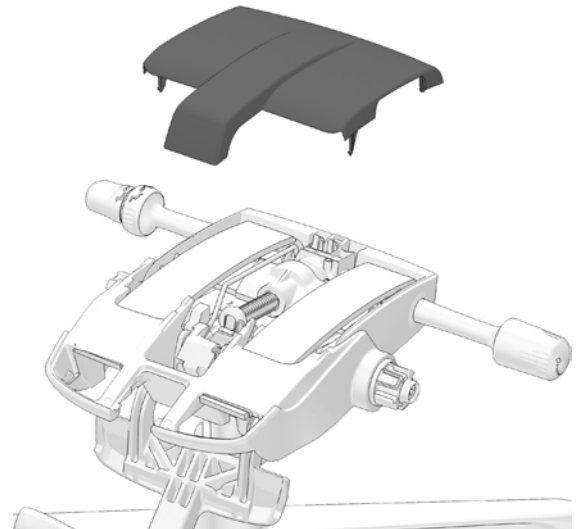
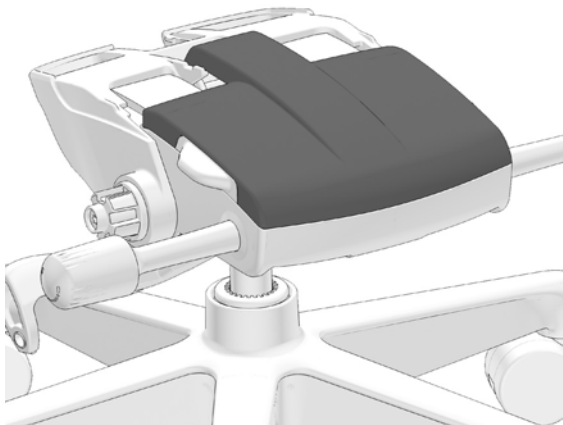
4.4 Detach the back cover.

4.5



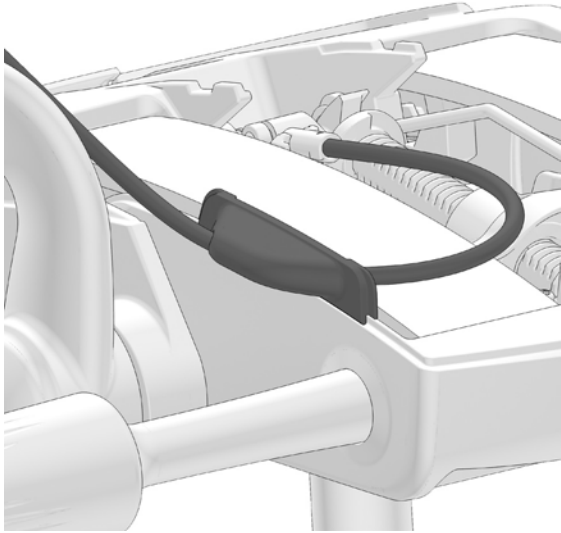
4.6 Remove the front cover.

4.7

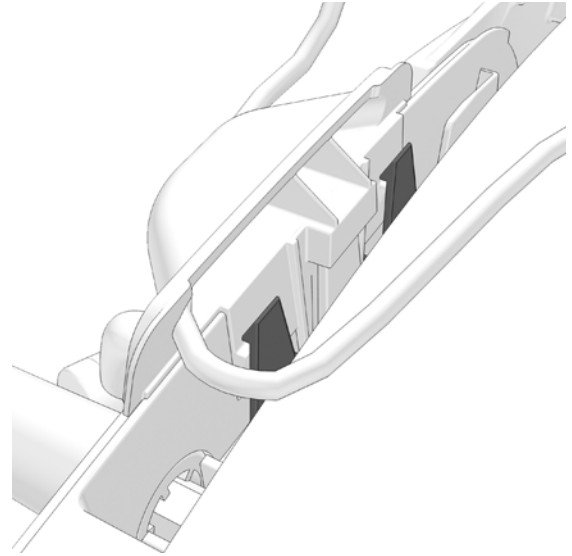


## Step 5

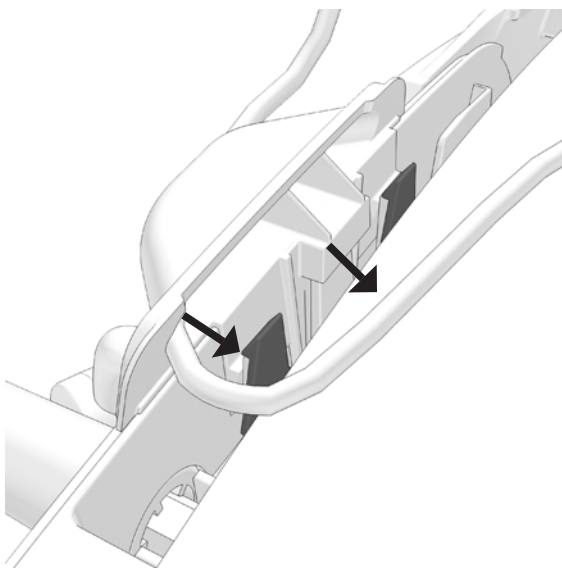
5.1 Detaching director from the tilt housing.



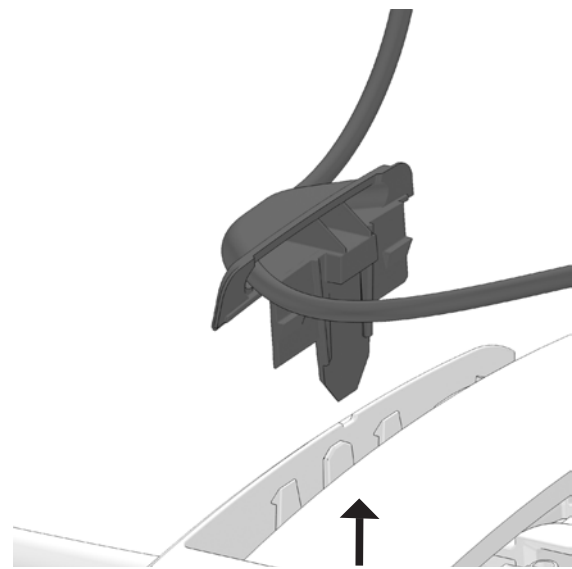
5.2 Release the two snaps shown below.



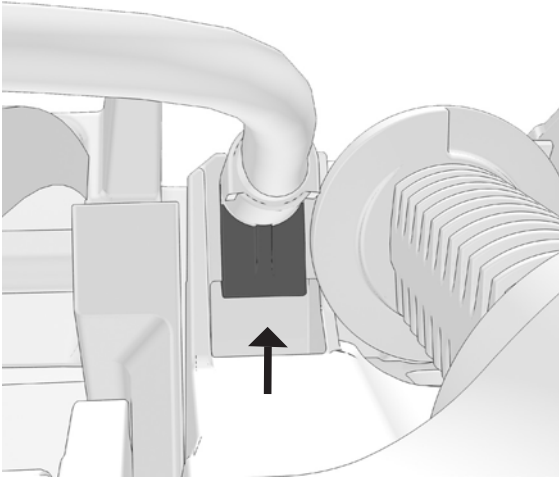
5.3



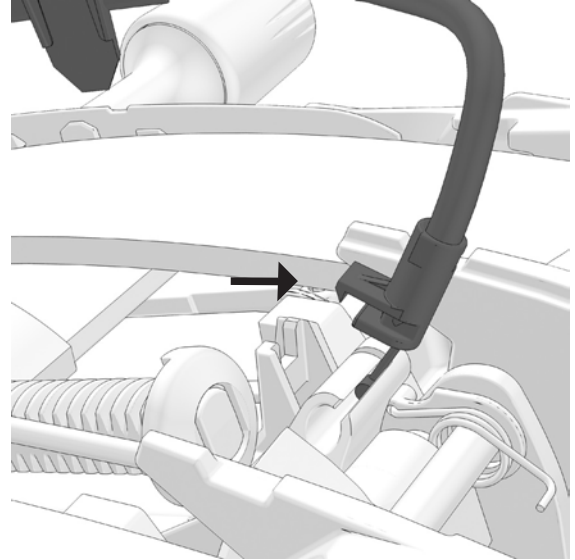
5.4 Lift the director from the tilt housing.



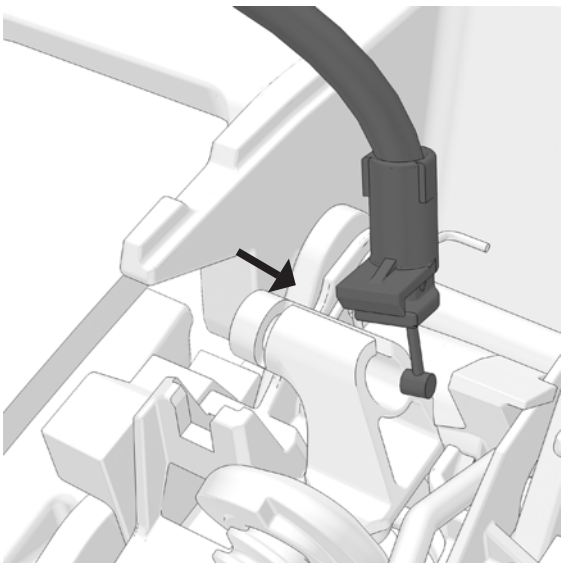
5.5 Release the snap shown below to lift the cable.



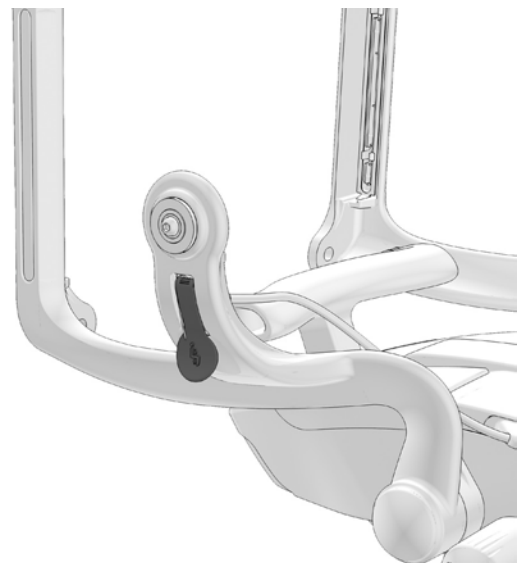
5.6 Lift the cable to remove from the actuator.



5.7 Slide out the cable to detach from the actuator.

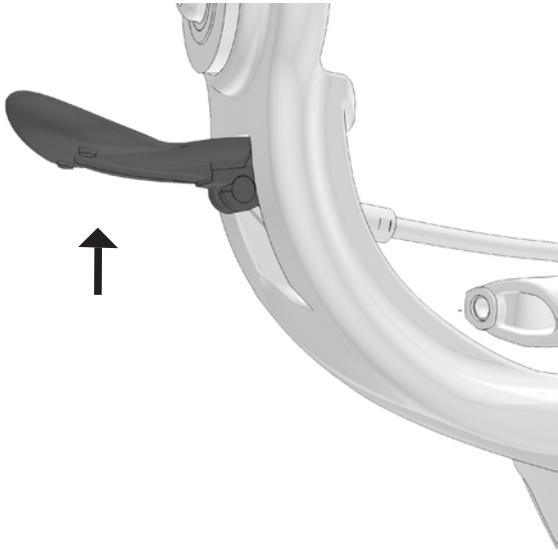


5.8 Removing the handle from the swing arm.

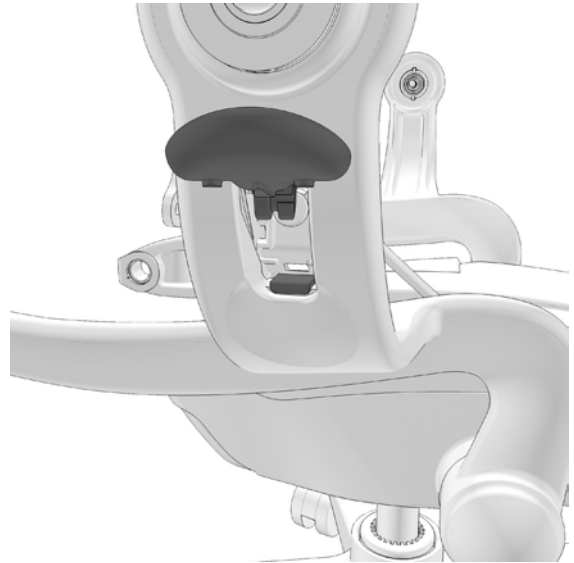




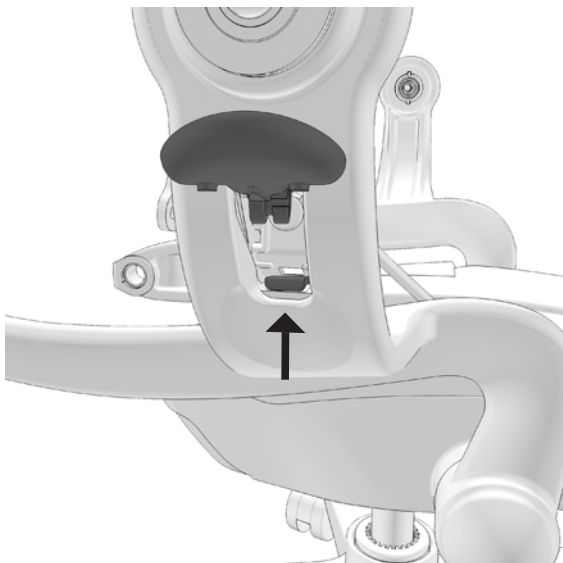
5.9 Lift the lever up.



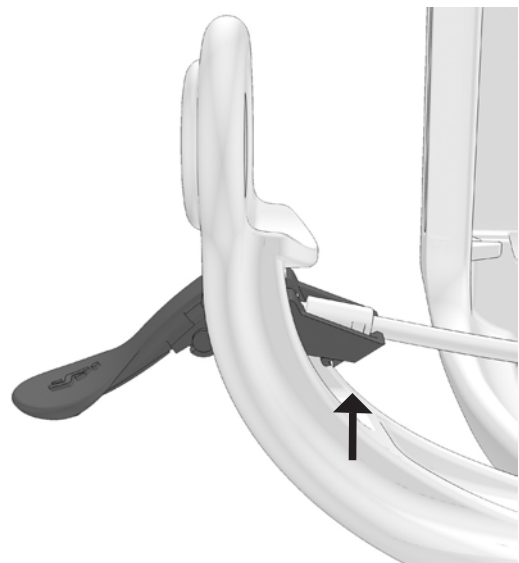
5.10 Release the bottom snap shown in the 4.11.



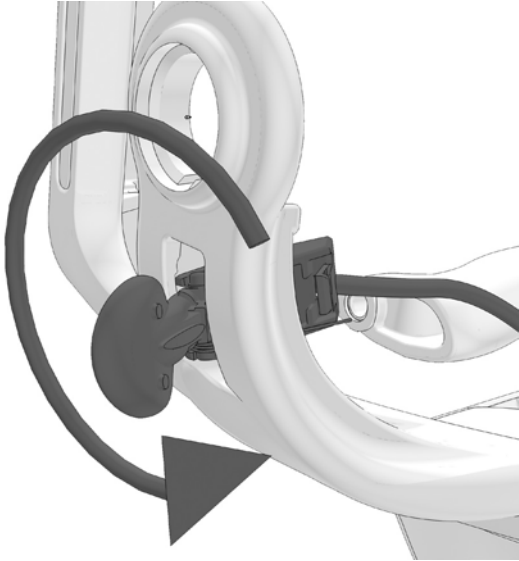
5.11



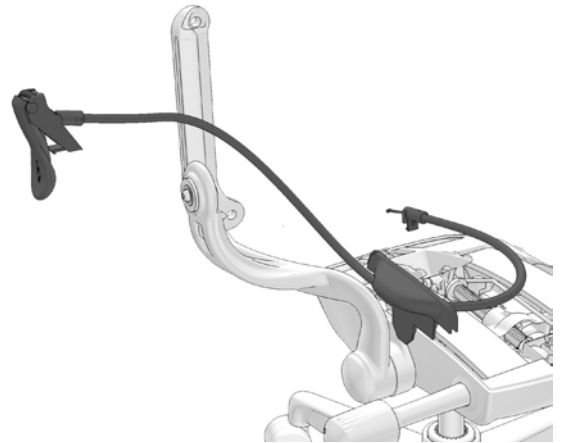
5.12 Release the bracket out of the socket.



5.13 Rotate the assembly and remove from the swing arm.



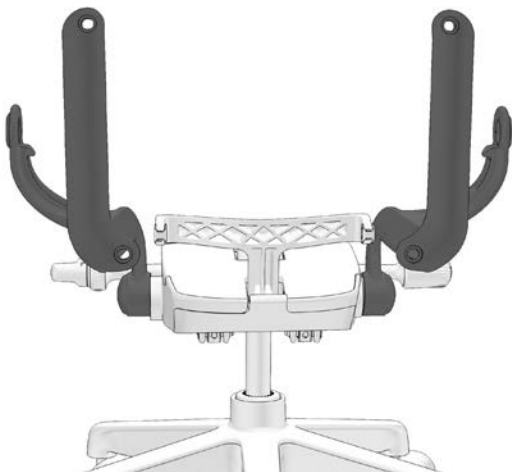
5.14



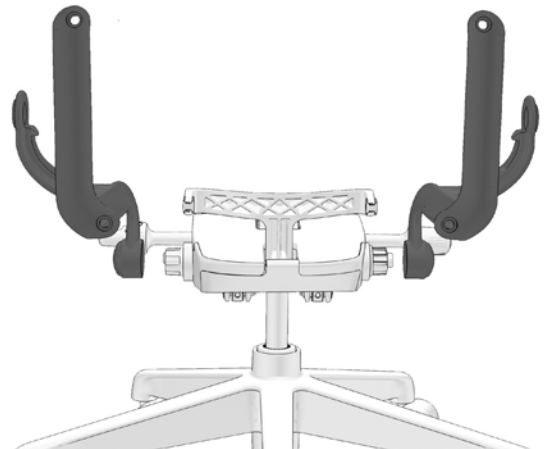
---

**Step 6**

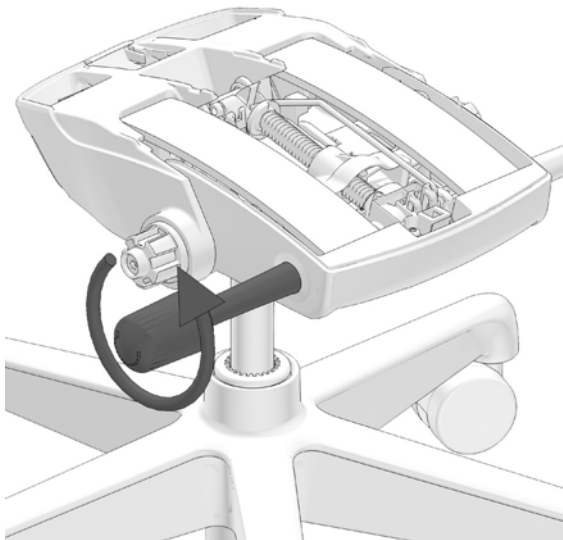
6.1 Detach the swing arms.



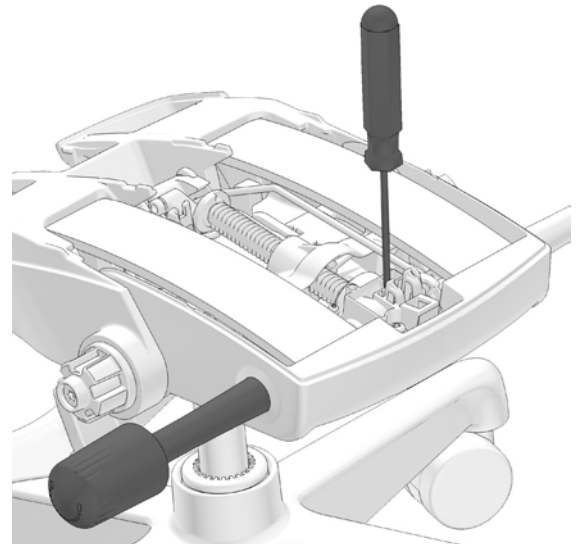
6.2 Pull out the swing arms from the assembly.



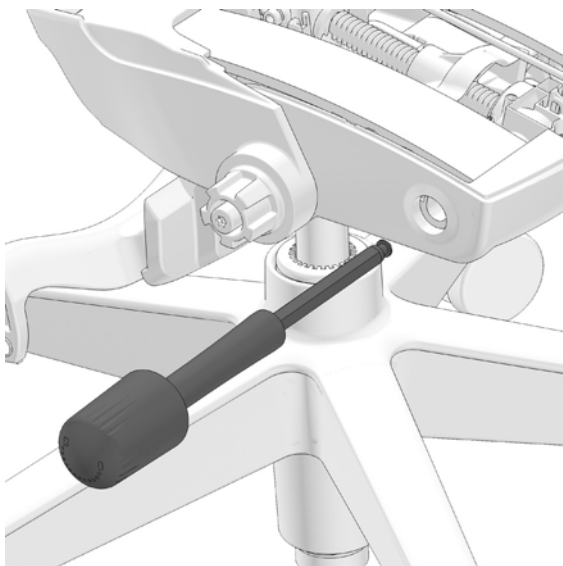
6.3 Rotate the knob counter clock wise to release tension



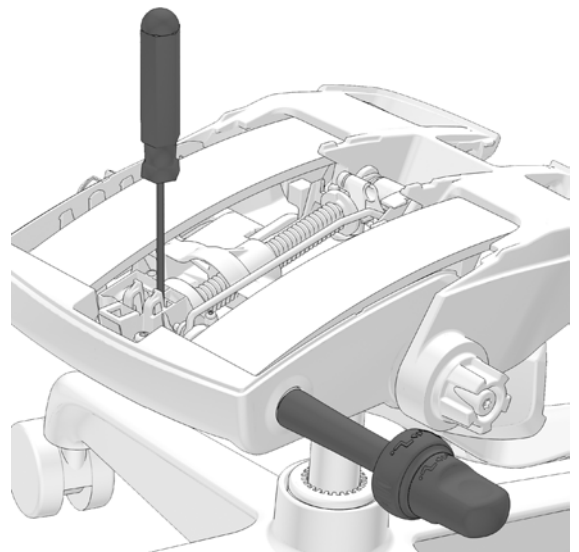
6.4 Insert the screw driver to release the knob.



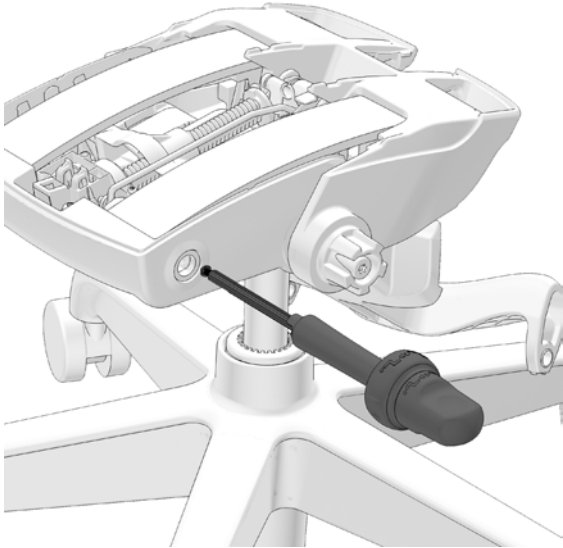
6.5 Detach the knob from the assembly.



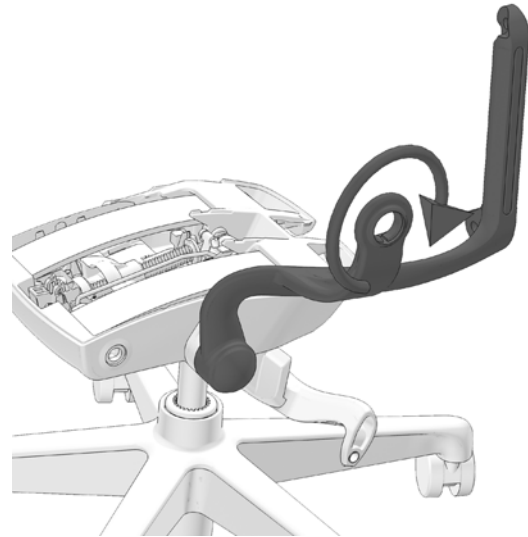
6.6 Insert the screw driver to release the knob



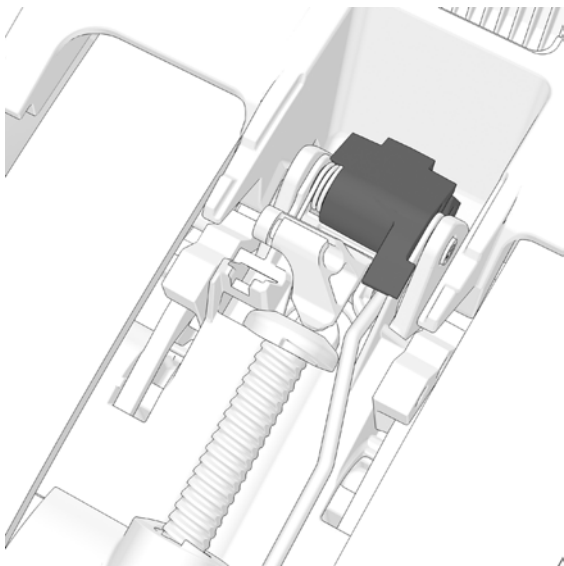
6.7 Detach the knob from the assembly.



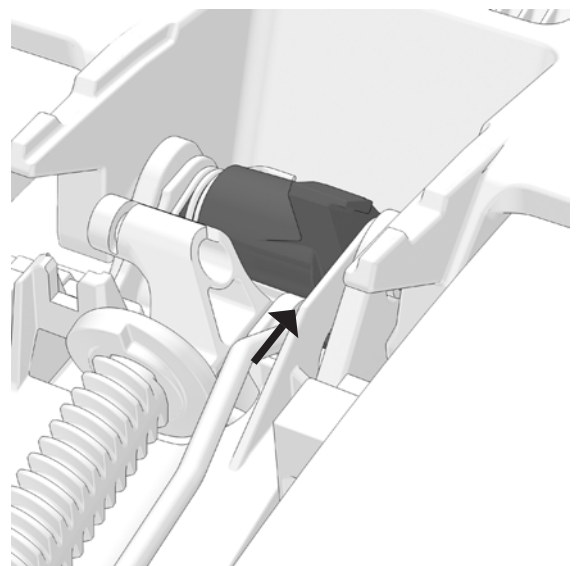
6.8 Use the swing arm and pull back and hold to release the forward limit.



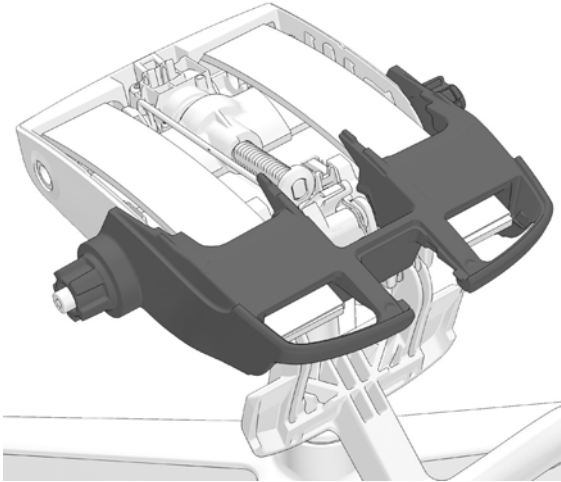
6.9 While holding back swing arm, lift the tab to disengage the forward limit.



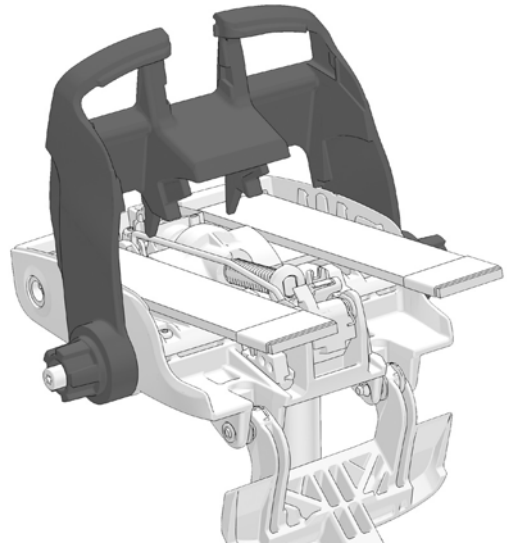
6.10



6.11 Rotate the casing to remove the leaf spring from the assembly.

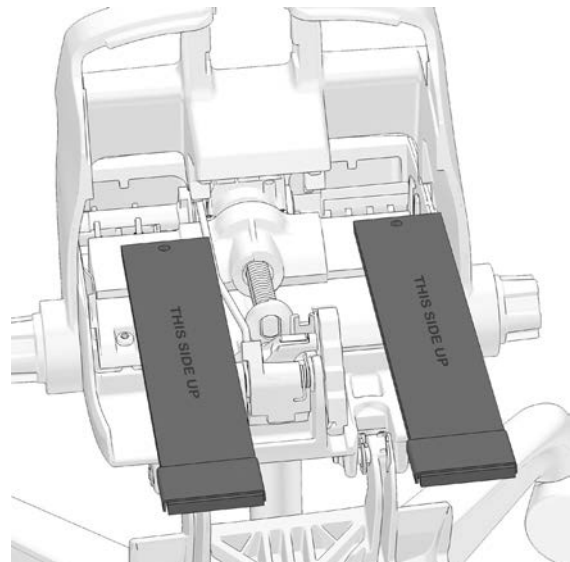
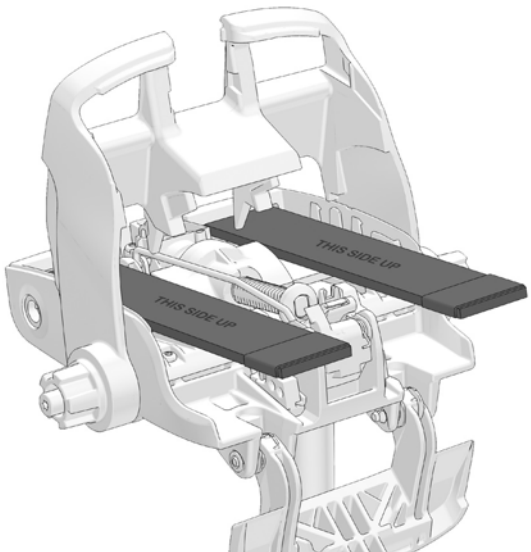


6.12

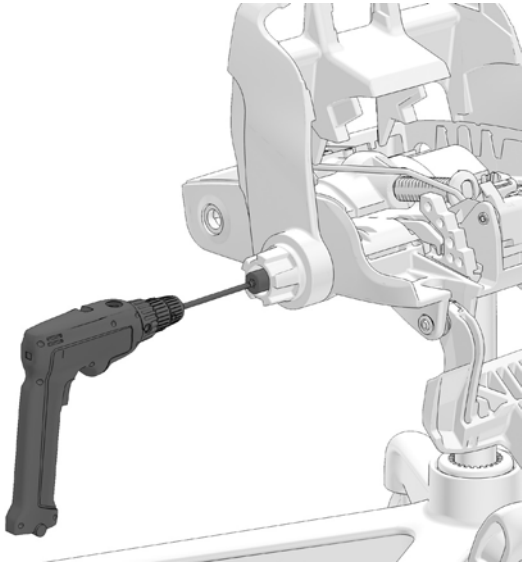


6.13 Detach the Leaf spring from the assembly.

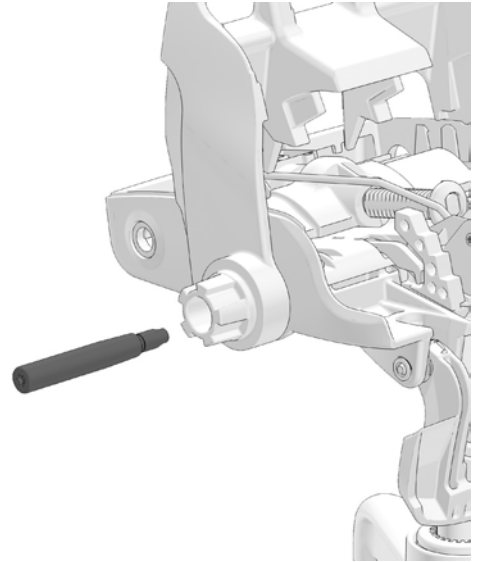
6.14



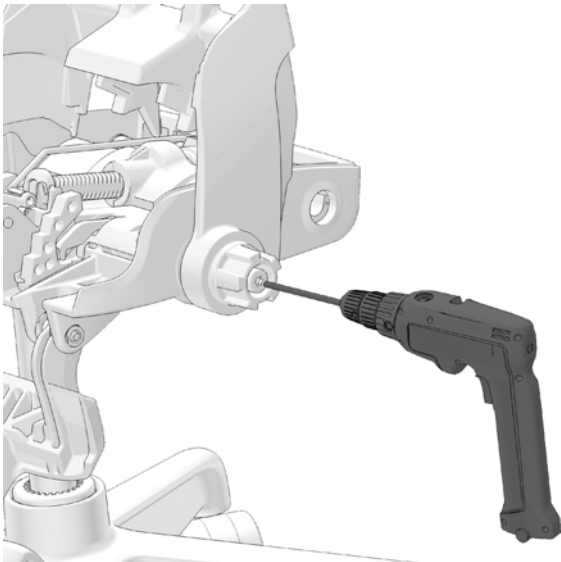
6.15 Use T40 torx bit to remove the pivot pin



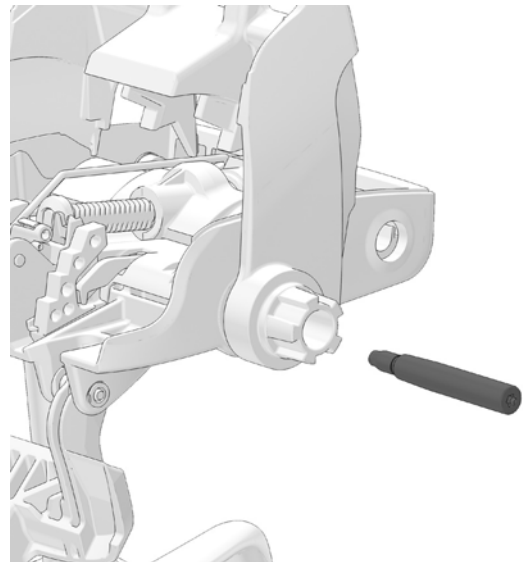
6.16



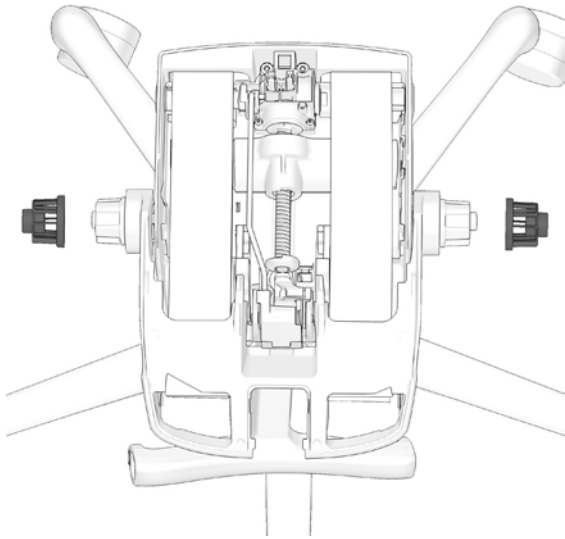
6.17 Remove the other pivot pin joint using the previous step.



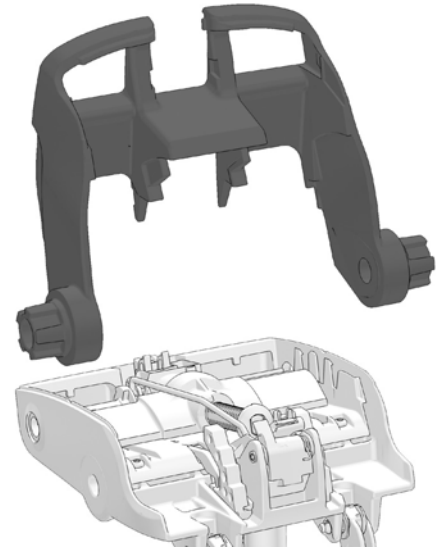
6.18



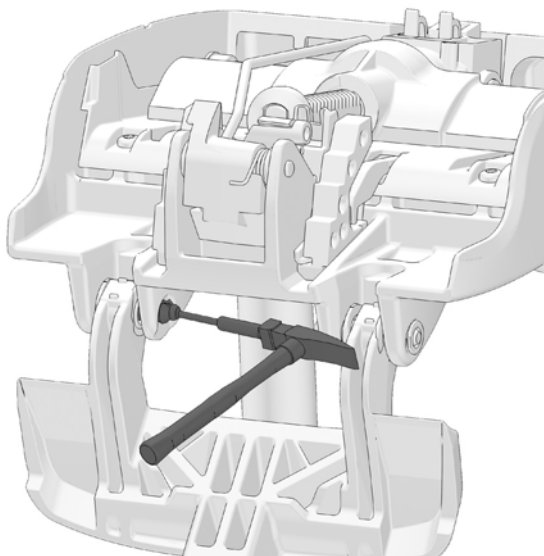
6.19 Remove the bushing.



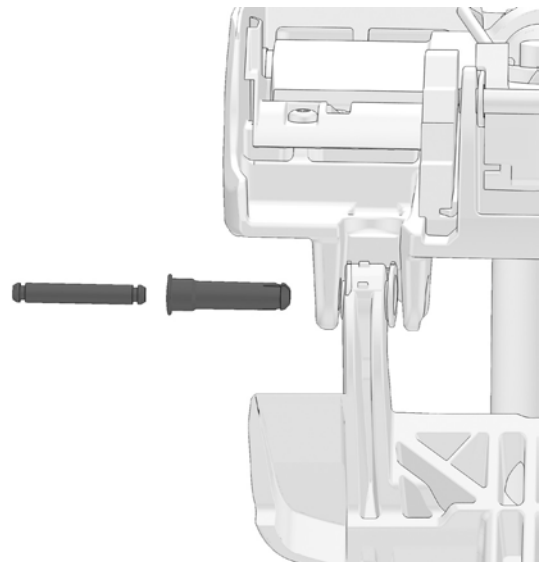
6.20 Detach the tilt casting from assembly.



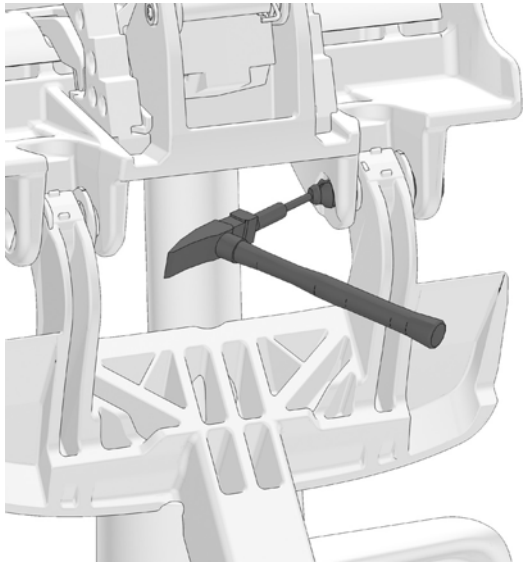
6.21 Use hammer and punch to tap out the bushing to remove the B-Link



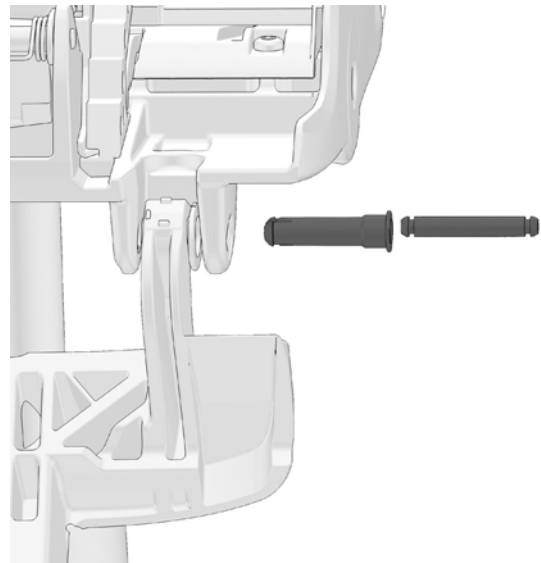
6.22



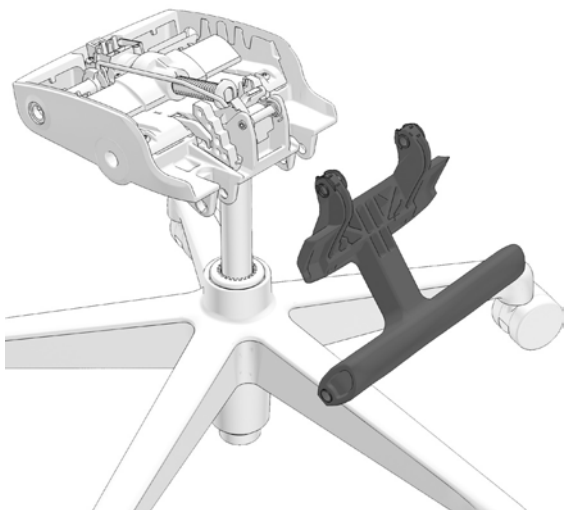
6.23 Follow the previous step to remove the right hand side bushing.



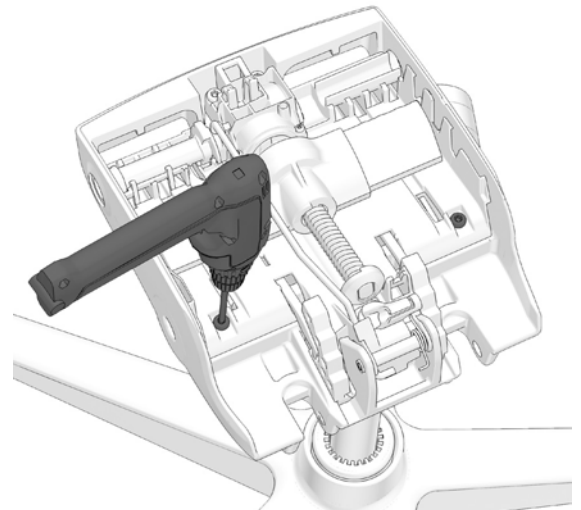
6.24



6.25 Detach the B-Link from the assembly.

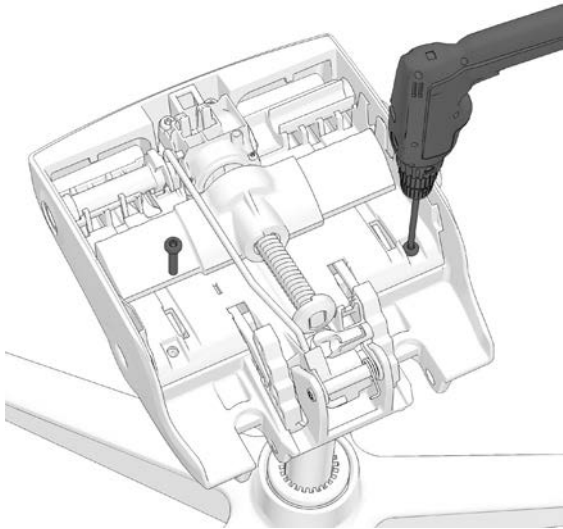


6.26 Use T25 Torx bit to remove the cassette bolts

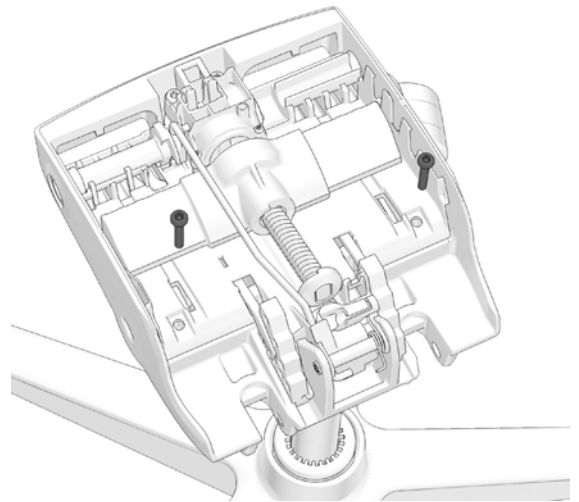




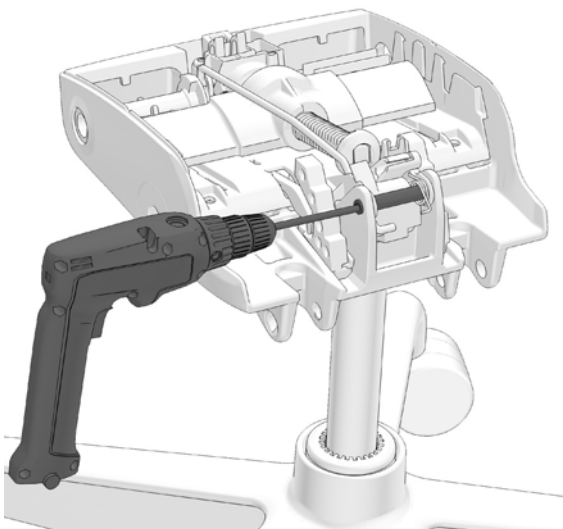
6.27



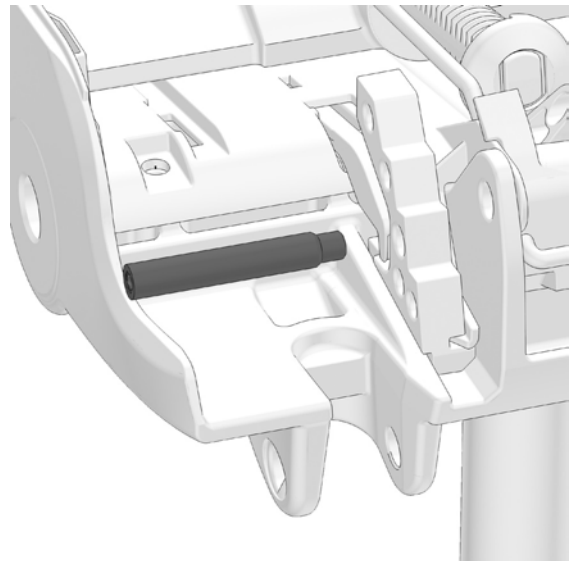
6.28



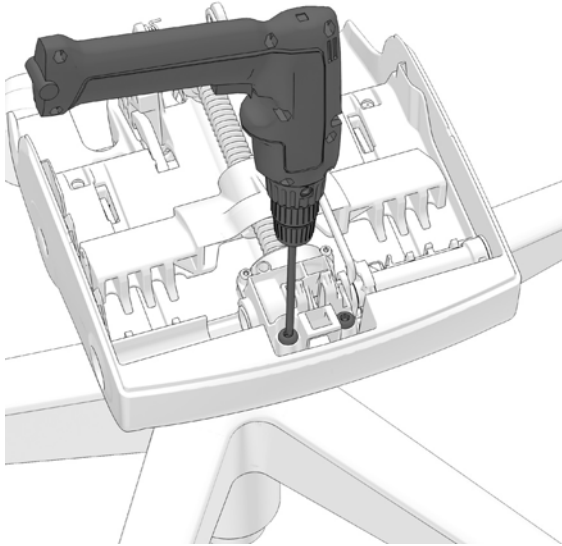
6.29



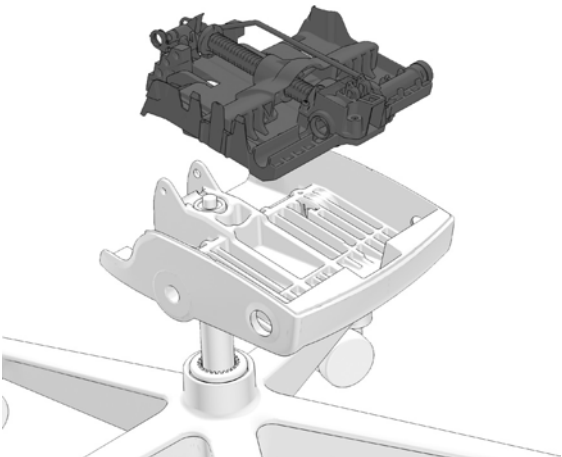
6.30



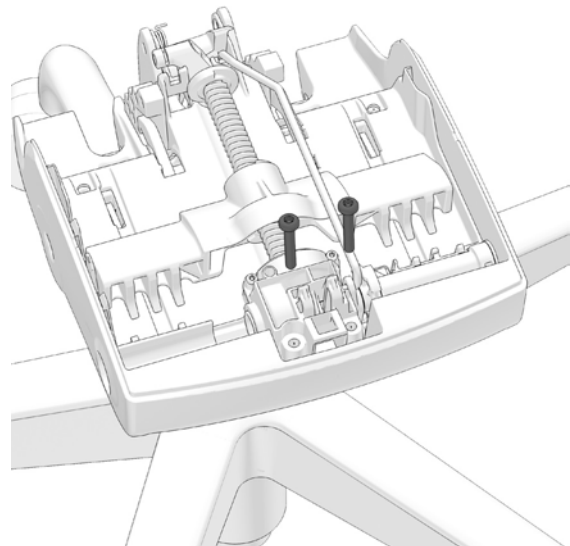
6.31



6.33 After removing all the cassette bolts detach the tilt cassette.

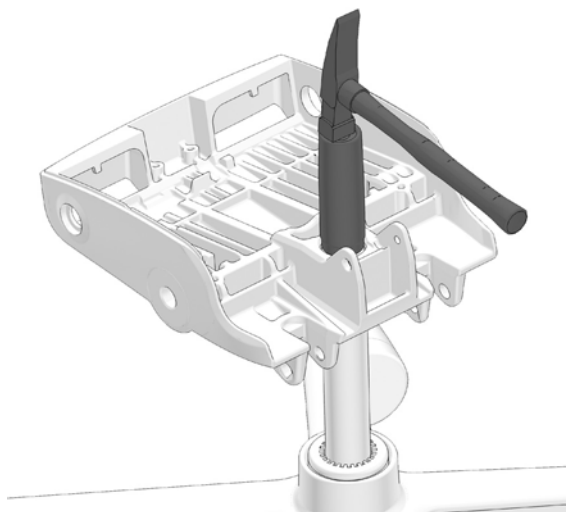


6.32

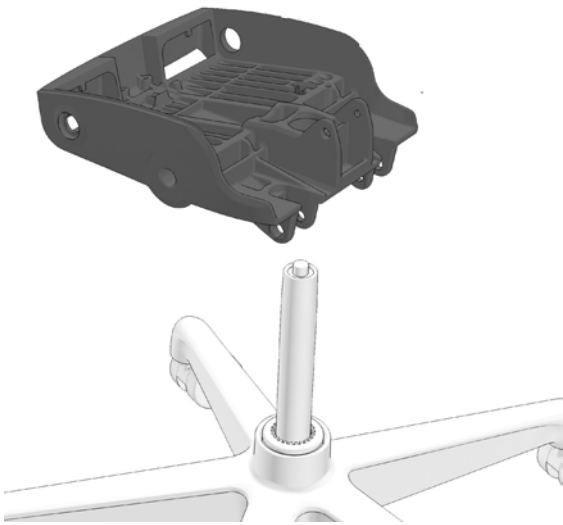


6.34 Use a punch with recess and hammer to remove the tilt housing.

Attention: Hold the tilt casting and lift the whole unit in the air before hammering.

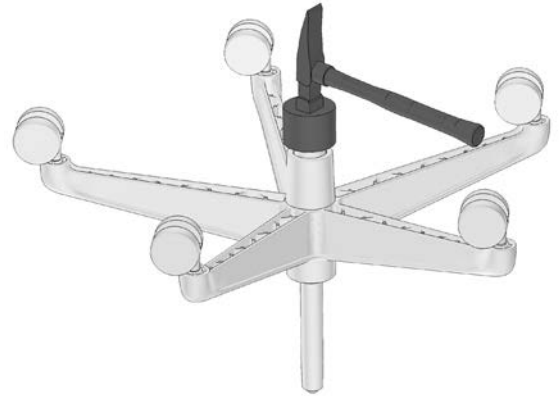


6.35



### Step 7

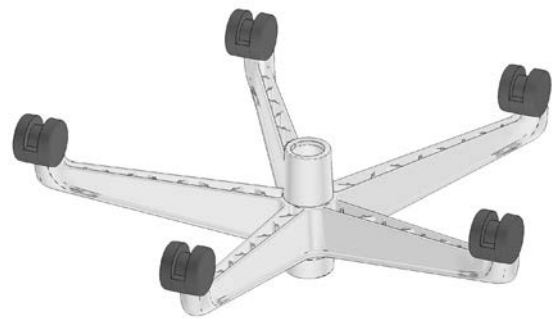
7.1 Use nylon cap and Hammer to remove the cylinder from the base .



7.2



7.3 Pull off the castors to disassemble from the base



7.4

