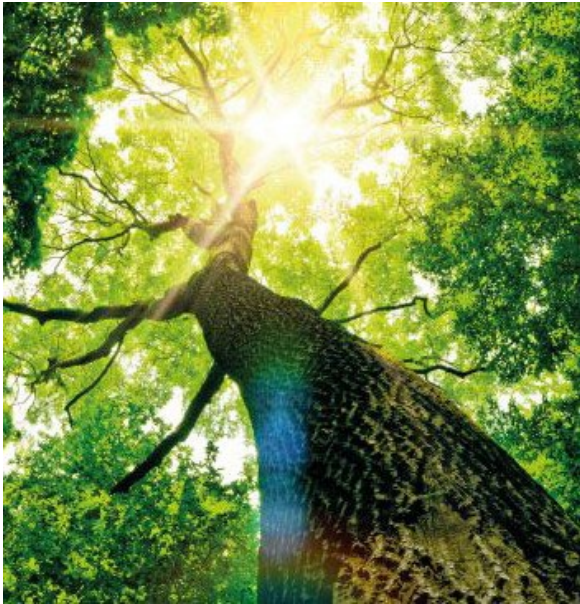


woodfire

harness the power of wood



Woodfire EX woodburning boiler inserts
The New Generation of Ecodesign-Ready Boiler Stoves



- The Environment

The world urgently needs people prepared to turn their back on fossil fuels and heat their houses with a renewable, largely carbon-neutral fuel such as wood. Today's Ecodesign ready stoves burn wood more cleanly and efficiently than has ever been possible before, making the most of your fuel and minimising your impact on the environment.

- The Technology

With their focus firmly on domestic woodburning boiler stoves, Woodfire have led the way in developing new combustion technology to make their boiler stoves burn even more cleanly and efficiently and they have become the only comprehensive range of Ecodesign boiler stoves available in the UK.

- Ease of use

While the technology behind the EX range may have taken years to develop, the day to day use of the stove has retained the benefit of simplicity. The hallmark of the EX range is a stove that is easy to light, straightforward to control and simple to maintain.

- Strong and Safe

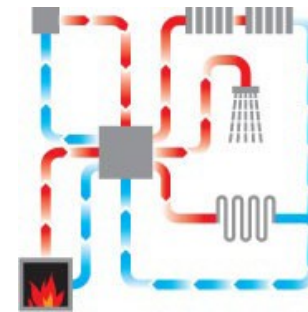
The Woodfire EX range is made without compromise on build quality and robustness. Suitable for pressurised systems, they include a range of safety features that ensure years of continuous trouble free use. The Woodfire controller enables the stove to work at its peak performance every time it is used.



The Woodfire EX range of insert stoves are straightforward to install and lend themselves easily to a quick and simple Thermalux chamber installation.

The EX range can be installed on a simple S-plan heating and hot water circuit, but to get the best from your boiler stove, and permit a once-a-day economical burn, it is recommended to incorporate a thermal store.

EX boiler stoves can easily be linked to a conventional boiler, a heat pump or a solar thermal installation.

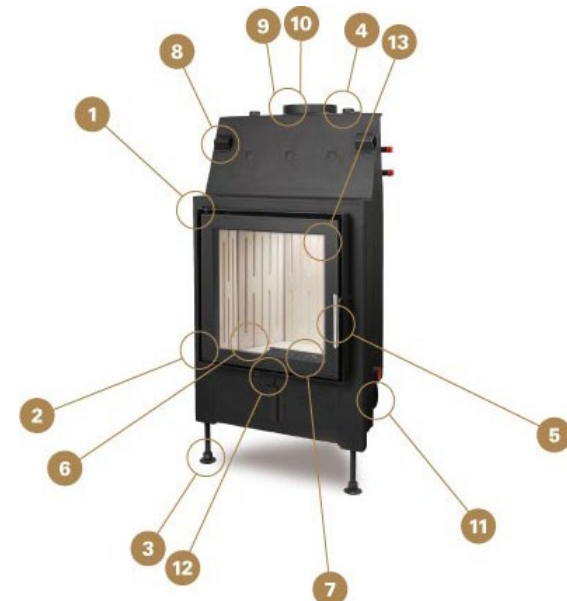
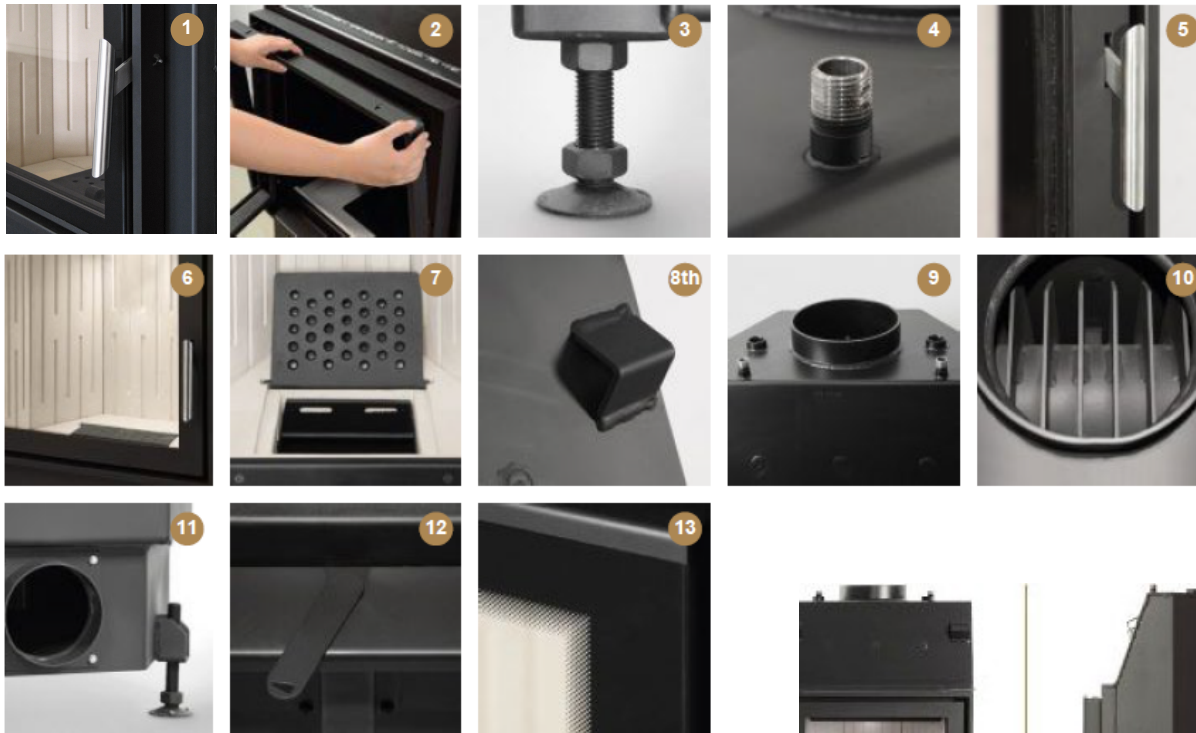




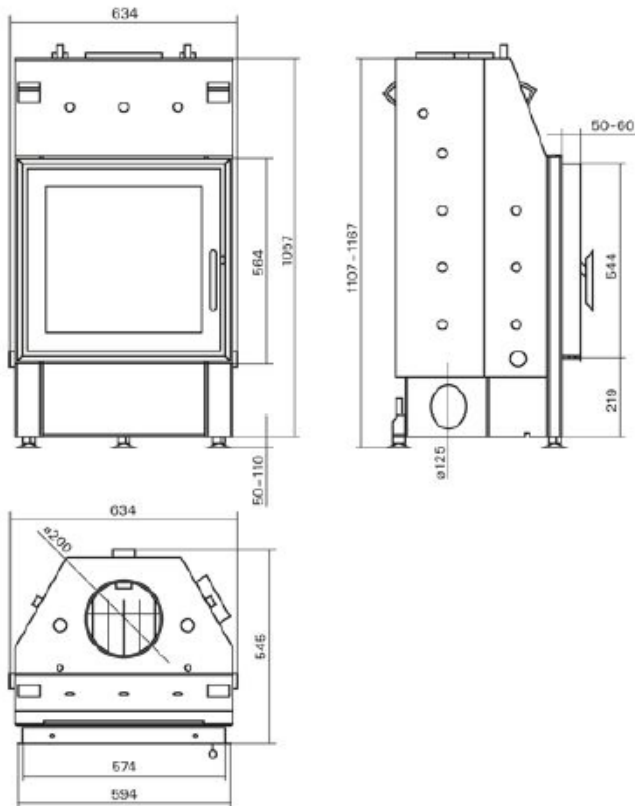
EX10, EX15 and EX22

Designed to work with modern, well insulated houses up to any size, the EX 10, 15 and 22 offer generous amounts of heat for the central heating and domestic hot water, while giving the minimum amount of heat to the room. Available in three models, with a choice of 8.5kW, 12.5kW or 18.5kW to water with as little as 1.5kW to the room, yet with an efficiency of up to 84%. The simple elegant design, combining a fully glazed door with a cool-to-the-touch stainless steel handle, allows it blend well in any surroundings.

EX10 EX15 EX22



EX10 EX15 EX22



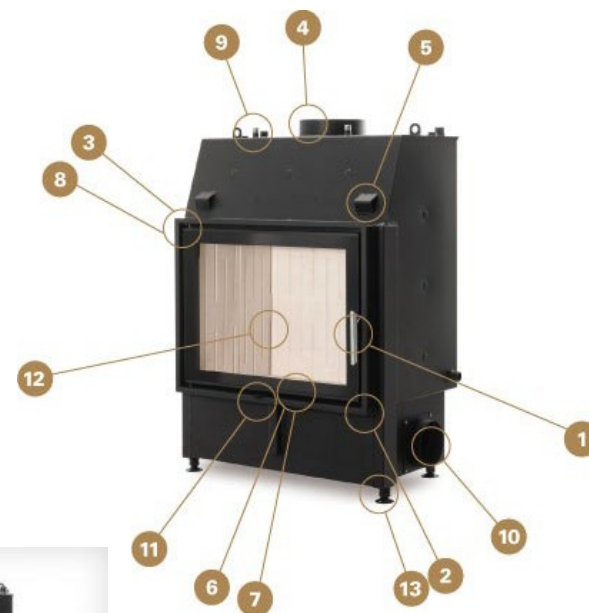
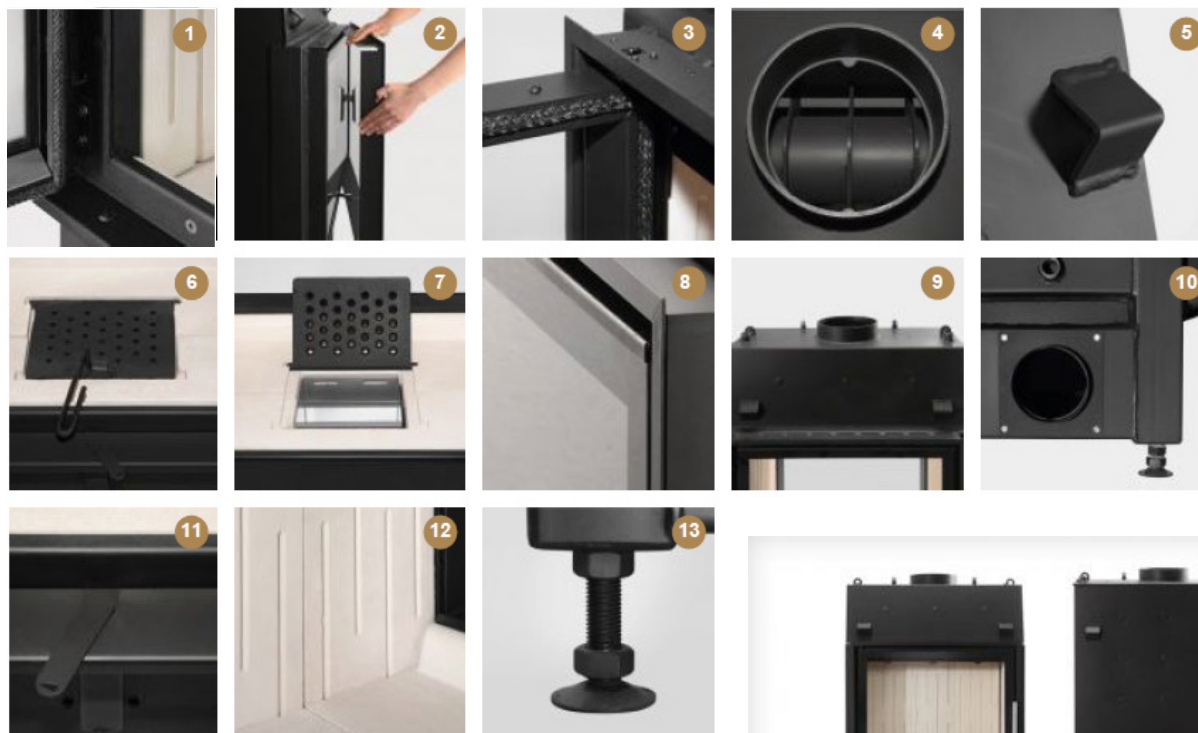
	EX10	EX15	EX22
Output kW	10	15	22
Output to water kW	8.5	12.5	18.5
Output to air kW	1.5	2.5	3.5
Efficiency %	84	83	82
Boiler volume l	40	52	69
Weight kg	177	188	204
Maximum Operating Pressure (bar)	2.5	2.5	2.5
Minimum chimney draft pascals	12	12	12
Combustion Chamber Lining	Chamotte	Chamotte	Chamotte
Fuel	Wood & Wood Briquettes	Wood & Wood Briquettes	Wood & Wood Briquettes
Test Standard	DIN EN 13229	DIN EN 13229	DIN EN 13229
Rating	A+	A+	A+
External air supply diameter mm	125	125	125
Flue diameter	200	200	200
Door size WxH	475x475	475x475	475x475
Frame size WxH	535x535	535x535	535x535
Max Log length	400	400	400



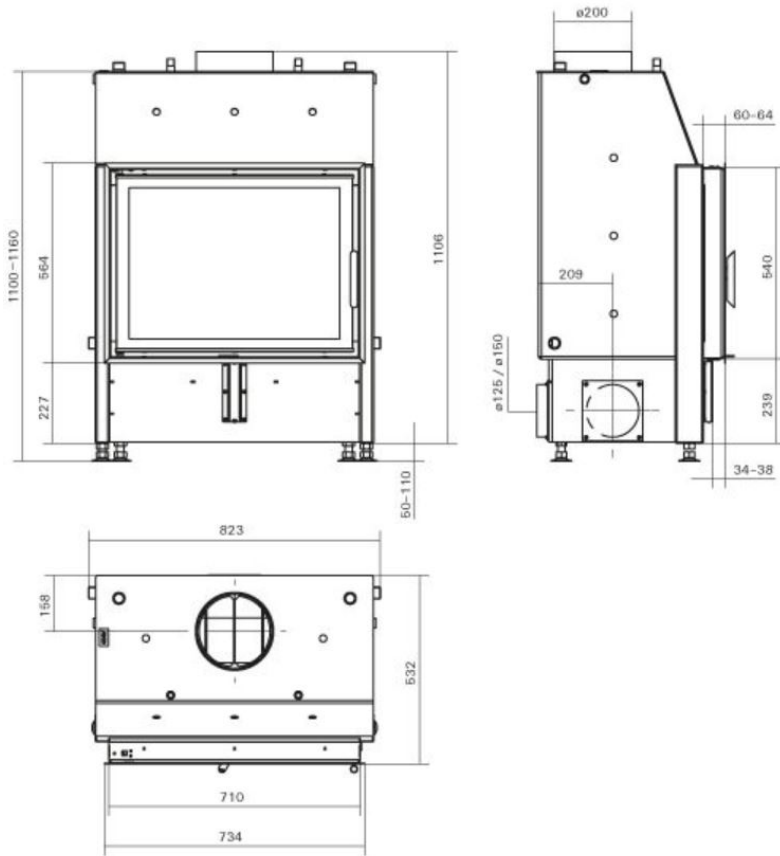
EX12 Panorama and EX17 Panorama

The two Panorama models have the same high efficiency and clean lines as the standard EX models but with a larger landscape window and a bigger fire chamber. This is the perfect stove for those of us who like a room full of firelight and who enjoy to lie back and watch the rolling flames, secure in the knowledge that the rest of the house is being heated.

EX12 Panorama EX17 Panorama



EX12 Panorama EX17 Panorama



	EX12 Panorama	EX17 Panorama
Output kW	11.5	16.5
Output to water kW	7.5	10
Output to air kW	4	6.5
Efficiency %	81	83
Weight kg	280	280
Maximum Operating Pressure (bar)	2.5	2.5
Minimum chimney draft pascals	12	12
Combustion Chamber Lining	Chamotte	Chamotte
Fuel	Wood & Wood Briquettes	Wood & Wood Briquettes
Test Standard	DIN EN 13229	DIN EN 13229
Rating	A+	A+
External air supply diameter mm	125	150
Flue diameter	200	200
Door size WxH	665x495	665x495
Frame size WxH	735x565	735x565
Max Log length	600	600



Woodfire EX12 Panorama DS and EX17 Panorama DS

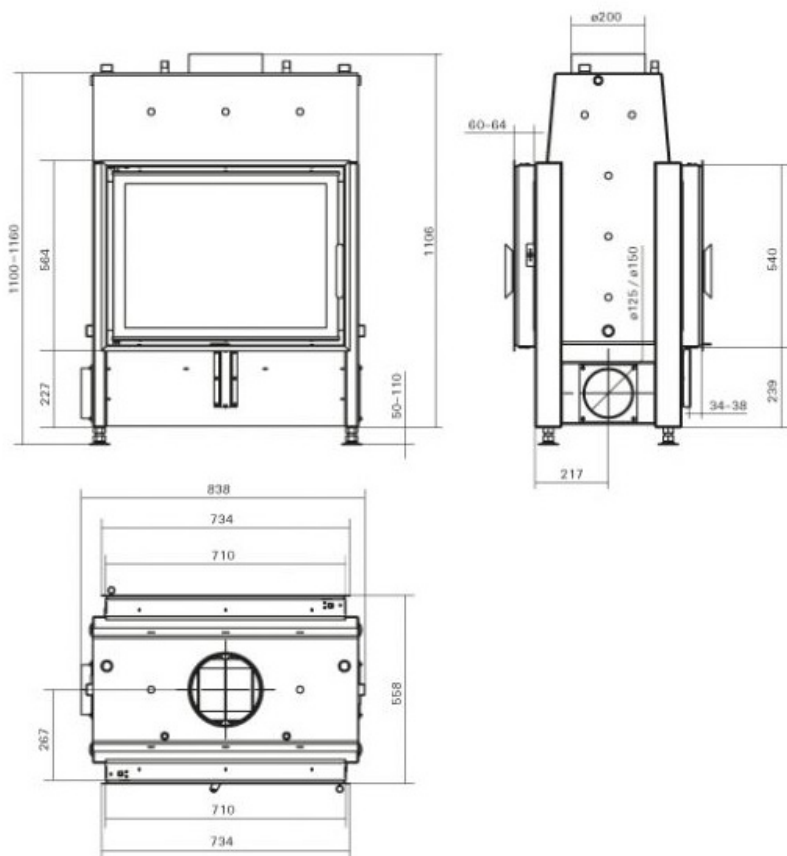
The EX12 Panorama and EX17 Panorama Double Sided models are a truly unique way to both run your central heating and give yourselves the very best view of the crackling flames. These models can either be built into a dividing wall, filling both rooms with their warmth and cosiness, or can take centre stage in a large room or open plan design.

With up to 3 - 4 kW directly warming each room, and a further 6 - 9 kW going to the central heating, this is a wonderful way to bring a real fire into your home while ensuring lots of hot water and a warm house.

EX12 Panorama DS EX17 Panorama DS



EX12 Panorama DS EX17 Panorama DS



	EX12 Panorama DS	EX17 Panorama DS
Output kW	12.4	17
Output to water kW	6.5	8.7
Output to air kW	5.9	8.3
Efficiency %	85	82
Weight kg	253	253
Maximum Operating Pressure (bar)	2.5	2.5
Minimum chimney draft pascals	12	12
Combustion Chamber Lining	Chamotte	Chamotte
Fuel	Wood & Wood Briquettes	Wood & Wood Briquettes
Test Standard	DIN EN 13229	DIN EN 13229
Rating	A+	A+
External air supply diameter mm	125	150
Flue diameter mm	200	200
Door size WxH mm	665x495	665x495
Frame size WxH mm	735x565	735x565
Max Log length mm	600	600

Stove Controller

The control panel automatically adjusts the burning rate of the stove, depending on the heat demand from the thermal store, by controlling the amount of combustion air available to the fire.

The surface mounted display panel gives a visual representation of the temperature in both the stove and in the thermal store, thereby telling you whether you need to add more wood or not.

You can set a target temperature for the thermal store and the controller will progressively close the air supply as the tank approaches that temperature and increase the available air as the tank temperature drops.

The panel can also control the heating pump or load unit and has a frost setting.

It is available in a 125mm and 150mm diameter.



Draft Stabiliser

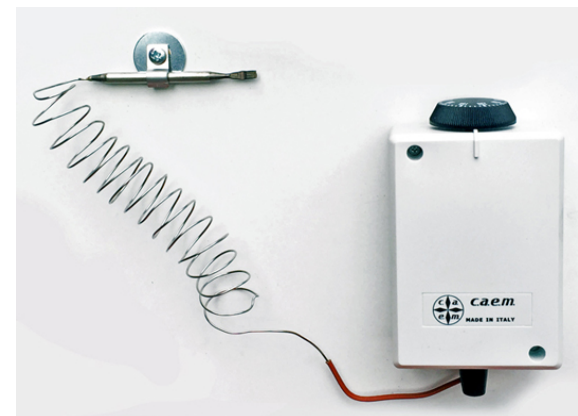
Woodfire stoves are designed to work at their peak efficiency with a flue draught of around 15 pascals. Flue draughts vary enormously, depending on the chimney height, type of flue and the weather conditions. In the event of high winds a chimney draught can increase dramatically, which can severely reduce the stove's efficiency as well as run the risk of over-heating it. A draft stabiliser ensures a constant chimney draught, so making sure that your stove always works at its peak efficiency as well as protecting it against over-firing.

Load Unit



A load unit incorporates a pump and a load valve and is controlled by a flue stat. As soon as the stove is lit the flue stat registers the increase in temperature and turns on the pump. The pump pulls the water from the boiler, round through the load valve and back to the boiler. Once the water reaches a pre-set temperature the load valve opens and lets the hot water go to the thermal store or directly into the heating system.

This ensures that the stove heat exchangers are always up to temperature, so enabling the stove to work at its full efficiency and protecting the boiler and heat exchangers from condensation.



Warranty

The Woodfire EX range come with the statutory one year warranty against any manufacturing defects. This warranty is automatically extended to five years provided that the stove has been installed by a suitably qualified installer and is fitted with a draught stabiliser and load valve.

Firepower

Imported to the UK by Firepower

0844 332 0155, sales@firepower.co.uk, Firepower.co.uk

Flightway, Dunkeswell Business Park, Dunkeswell, Devon, EX14 4RD, UK