



ULYS RANGE FRAME FITTING GUIDE

(please keep these instructions in a safe place)

Date of purchase:

**Ref notice: 10/14
BH53000**

CONTENTS

Package contents.....3

Fitting instructions

Step 1.....3

Step 2.....3

Step 3.....4

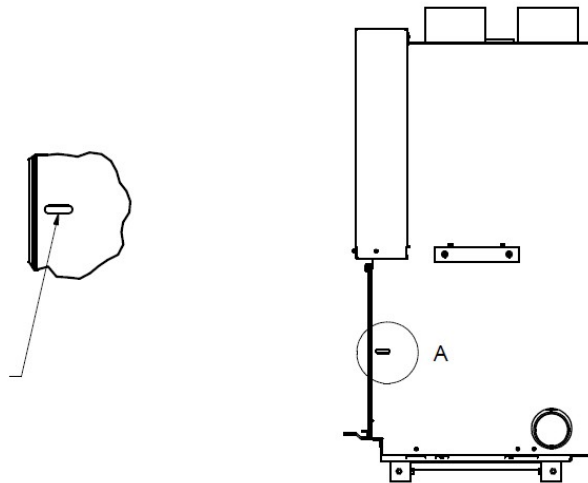
Package contents

Description	Quantity	Reference
Washer M4 LL	2	44400
Screw TBHC M4x8	2	44720
Fitting instructions	1	BH53000

Fitting instructions

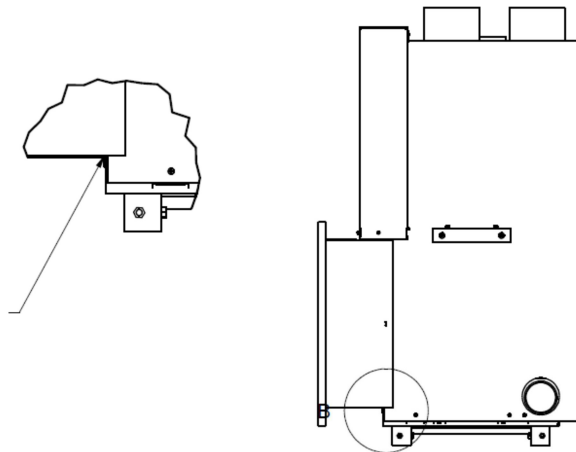
Step 1

Remove the pre-cut oblong-shaped steel plate from the stove body (this locks the door shut for transportation).



Step 2

Install the frame by resting it on the shelf bracket below, ensuring the air controls are not obstructed.



Step 3

Gently lift the door, then attach the frame using the M4 screws and washers provided.

