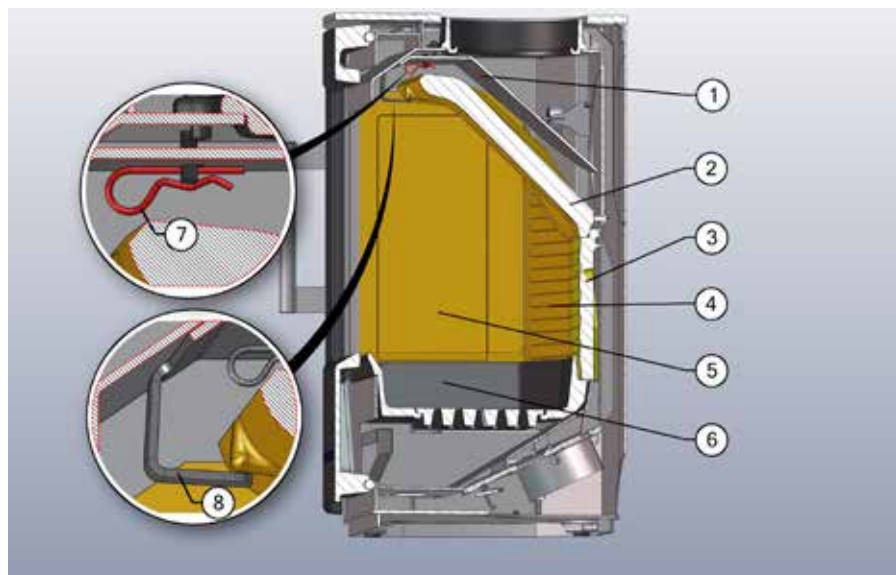
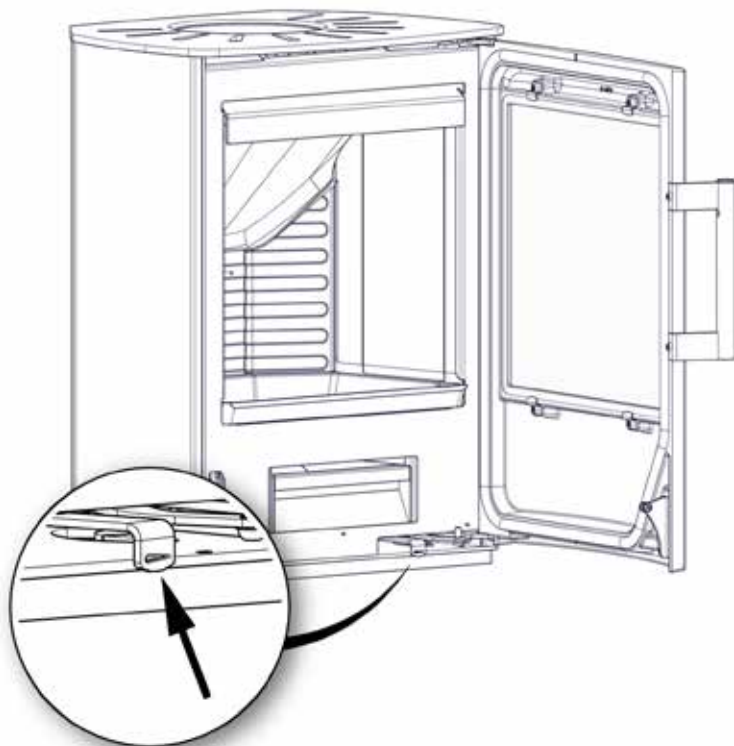
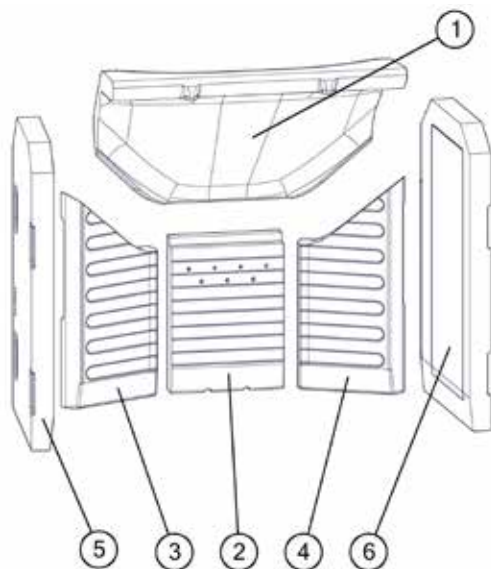




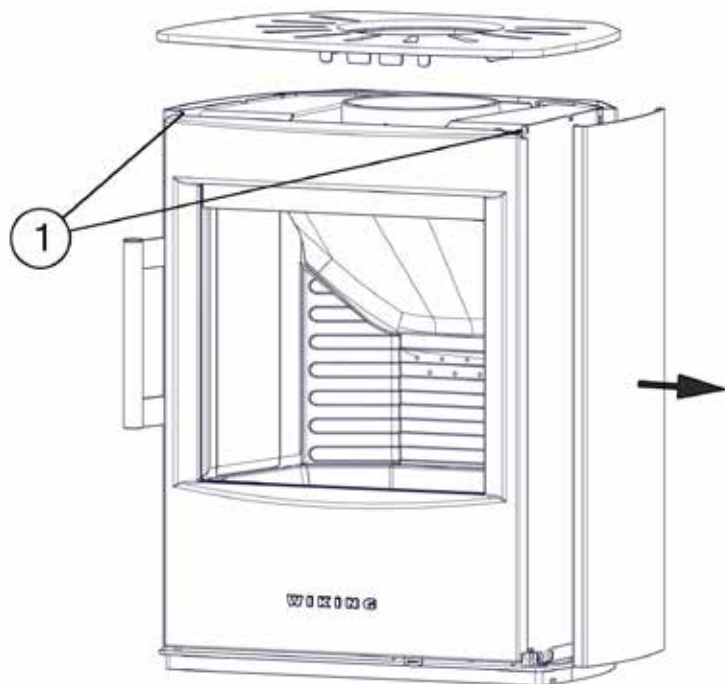
WIKING Mini 2

A**B**

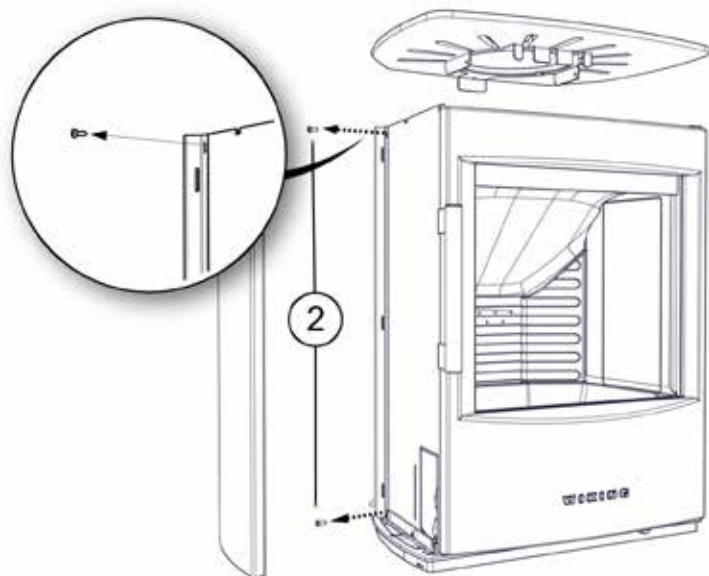
C



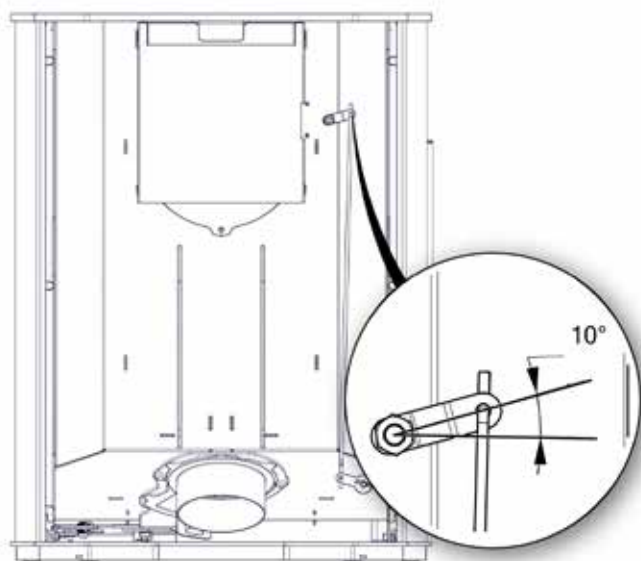
D1



D2



D3



Contents

Figures	2
Welcome	6
For UK -The Clean Air Act 1993 and Smoke Control Areas	7
Installation Instructions	8
User Instructions	12
Using the Air Damper	13
Some Things Worth Knowing about Firing	13
Lighting and Firing your WIKING Wood-Burning Stove.....	14
Some Things Worth Knowing about the Smoke Pipe.....	15
Some Things Worth Knowing about the Chimney.....	16
Cleaning and Maintaining your Wood-Burning Stove.....	17
Declaration of Performance	18
Trouble Shooting	19
Guarantee and Claim Conditions.....	20
Guarantee Certificate	24

Welcome

Dear WIKING owner,

We would like to congratulate you on your new WIKING wood-burning stove and hope you will be pleased with your purchase. For more than 30 years now, WIKING has developed and produced high-quality wood-burning stoves, and we are known throughout all of Europe for our design and high technical standards. As a WIKING owner, you have assured yourself a wood-burning stove with a timeless design and a long service lifetime.

Please read through this installation/user's manual before setting up your wood-burning stove so that you can avoid any potential problems and get to enjoy your WIKING wood-burning stove as soon as possible.

Guarantee

All WIKING wood-burning stoves are tested and approved in accordance with EN 13240 (European Standard) and NS 3058 and NS 3059 (Norwegian standards for particle emissions). We guarantee that your wood-burning stove fulfils the European norms pertaining to safety, quality and environmentally sound combustion. WIKING provides a five-year guarantee on your wood-burning stove.

Advantages of Your New Wood-Burning Stove

WIKING Mini is a beautiful wood-burning stove that fits in any home where pure and simple lines are desired. This stove has a large front pane, allowing the flames to be viewed from many angles. At the same time, air from the 'pane-flush'function ensures that, with proper firing, the glass pane will not be covered in soot so that you and your family will always be able to enjoy it and the flames inside. You control the wood-burning stove's air supply with a user-friendly, one-lever system located beneath the door. The simple lever makes it easy for you to control combustion. For WIKING Mini wood-burning stoves, the air is regulated automatically through WIKING Automatic when the fire is started and when restoking. You get more warmth for the wood you add, and in turn, better heating economy. WIKING Mini is both effective and attractively designed, and will bring you great pleasure for years to come.

Enjoy your new wood-burning stove!

For UK -The Clean Air Act 1993 and Smoke Control Areas

Under the Clean Air Act local authorities may declare the whole or part of the district of the authority to be a smoke control area. It is an offence to emit smoke from a chimney of a building, from a furnace or from any fixed boiler if located in a designated smoke control area. It is also an offence to acquire an "unauthorised fuel" for use within a smoke control area unless it is used in an "exempt" appliance ("exempted" from the controls which generally apply in the smoke control area).

In England appliances are exempted by publication on a list by the Secretary of State in accordance with changes made to sections 20 and 21 of the Clean Air Act 1993 by section 15 of the Deregulation Act 2015. Similarly in Scotland appliances are exempted by publication on a list by Scottish Ministers under section 50 of the Regulatory Reform (Scotland) Act 2014. In Northern Ireland appliances are exempted by publication on a list by the Department of Agriculture, Environment and Rural Affairs under Section 16 of the Environmental Better Regulation Act (Northern Ireland) 2016. In Wales these are authorised by regulations made by Welsh Ministers.

Further information on the requirements of the Clean Air Act can be found here: <https://www.gov.uk/smoke-control-area-rules>. Your local authority is responsible for implementing the Clean Air Act 1993 including designation and supervision of smoke control areas and you can contact them for details of Clean Air Act requirements.

The WIKING Mini stoves detailed below have been recommended as suitable for use in smoke control areas when burning wood logs. The appliance has been fitted with a modified secondary air control (to prevent closure beyond the 26% open position).

Appliances recommended as suitable for use in Smoke Control Areas :

- WIKING Mini 2 with a base
- WIKING Mini 2 with low legs
- WIKING Mini 2 with high legs

Refuelling on to a low fire bed

If there is insufficient burning material in the firebed to light a new fuel charge, excessive smoke emission can occur. Refuelling must be carried out onto a sufficient quantity of glowing embers and ash that the new fuel charge will ignite in a reasonable period. If there are too few embers in the fire bed, add suitable kindling to prevent excessive smoke.

Fuel overloading

The maximum amount of fuel specified in this manual should not be exceeded, overloading can cause excess smoke.

Operation with door left open

Operation with the door open can cause excess smoke. The appliance must not be operated with the appliance door left open except as directed in the instructions.

Dampers left open

Operation with the air controls or appliance dampers open can cause excess smoke. The appliance must not be operated with air controls, appliance dampers or door left open except as directed in the instructions.

Installation Instructions

Before You Start (Figure A)

Figure A is a cross-sectional view of your wood-burning stove. Here you can gain an overview of the parts of which your stove consists.

1. Steel smoke deflector.
2. Vermiculite smoke deflector.
3. Vermiculite rear plate.
4. Vermiculite corner plate.
5. Vermiculite side plate.

Please note: The combustion chamber is covered with plates made of vermiculite, which is a heat-insulating material. These plates ensure that the optimal combustion temperature is quickly reached, and they must therefore remain inside in the wood-burning stove.

The steel smoke deflector and the vermiculite smoke deflector ensure that the passage of smoke through the stove is as long as possible, so that the flue gasses have more time to emit their warmth within the stove and the surrounding area. In this way you get more warmth from the wood you add to the stove, as the warm smoke is not simply sent out through the chimney.

Arrangement of Individual Components (Figure A)

It is important to ensure that all individual components are in place and no damage was done to them during transport. Check that all insulation plates of the combustion chamber have been properly placed, i.e. that the bottom plate is horizontal and that the side plates are vertical and reach all the way up to the steel sides of the combustion chamber and down to the bottom plate. In Figure A you can see the parts that you must inspect:

1. The steel baffle plate (1) is hung from two hooks and equipped with two pins (7) that serve as protection during transportation. Remember to remove the two pins before you start using the stove.
2. The vermiculite smoke deflector (2) plate must rest on the two fittings (8) at the top and front of the combustion chamber and must be pushed as far back as possible into the combustion chamber.
3. The rear plate (3) must be pushed all the way back in the combustion chamber.
4. The cast iron bottom plate (6) should lie flat in the bottom of the combustion chamber.

Only when you are confident that the individual components are in place, you may begin with the installation of the wood-burning stove.

Changing the Smoke Outlet from Top Outlet to Rear Outlet

Proceed as follows to change the smoke outlet from top outlet to rear outlet:

1. Lift the top plate off the stove.
2. Remove the smoke ring on the top of the stove by unscrewing the three screws and lifting it off.
3. There is a cut-out for the flue duct in the back plate. Break off the plate within this cut-out to make a hole that the flue duct can fit into.
4. Remove the cover plate on the back of the stove by unscrewing the three screws (Torx Bit no. 30) and lifting it off.
5. Install the cover plate on top of the stove with the three screws.

6. Place the smoke ring in the smoke outlet hole in the back of the stove and secure it with the three screws.
 7. Replace the top plate on the stove.
- A top cover can be bought as an accessory to cover the hole in the top plate of the stove if the stove is connected to a rear smoke outlet.

General Information

When installing your WIKING wood-burning stove, you must ensure that all local regulations, including those referring to national and European standards, are observed. It is always a good idea to consult a chimney sweep before installing your stove, as it is he/she who must ultimately approve the installation. Always follow the instructions of the manual carefully and make sure that the installation is carried out by a qualified professional. WIKING packaging material should always be handled in accordance with the local rules for waste handling.

Room Requirements

It must always be possible to deliver fresh combustion air to the room in which the wood-burning stove is to be installed. A window that can be opened or an adjustable air valve is considered to be sufficient. The adjustable air valve/air grate must not be blocked. Exhaust fans running in the same room as where the stove is installed may cause problems.

Technical Data

If the wood-burning stove is to be placed on a floor made of combustible material, the area around the stove must be covered with a non-combustible material. The floor construction must also be able to withstand the weight of the stove and the chimney. The chimney's weight must be calculated in relation to dimension and height.

In the table below you'll find important information about your wood-burning stove.

	Weight	Dimension (h x w x d)	Distance to furniture - in front
Mini 2 with a base	73 kg	60.8 x 46.8 x 35.6 cm	100 cm
Mini 2 with short legs	73 kg	65.2 x 46.8 x 35.6 cm	100 cm
Mini 2 with long legs	74 kg	83.2 x 51.7 x 37.1 cm	100 cm

The stove is mainly made of sheet iron, with some items made of cast iron.

Nominal heat output:	4.5 kW according to EN norm
Flue gas temperature EN 13240 measurement point:	236° C
Flue gas temperature measured in the outlet socket:	283° C
Exhaust gas mass flow:	3,6 g/s
Gross and net efficiency:	76% / 83%

Distance to Inflammable Materials

In the table below you can see the minimum distance to the closest combustible and non-combustible walls.

<u>Uninsulated flue gas pipe</u>	WIKING Mini 2 with a base	WIKING Mini 2 with short legs	WIKING Mini 2 with long legs
Distance from the Wood-burning Stove to...	Distance, cm	Distance, cm	Distance, cm
- non-combustible wall behind the unit	5	5	5
- non-combustible wall to the side of the unit	10	10	10
- combustible wall behind the unit	12.5	12.5	12.5
- combustible wall to the side of the unit	32.5	32.5	32.5
- combustible wall to the sides, at 45° in a corner	7.5	7.5	7.5

<u>Insulated flue gas pipe</u>	WIKING Mini 2 with a base	WIKING Mini 2 with short legs	WIKING Mini 2 with long legs
Distance from the Wood-burning Stove to...	Distance, cm	Distance, cm	Distance, cm
- non-combustible wall behind the unit	5	5	5
- non-combustible wall to the side of the unit	10	10	10
- combustible wall behind the unit	7.5	7.5	7.5
- combustible wall to the side of the unit	32.5	32.5	32.5
- combustible wall to the sides, at 45° in a corner	5	5	5

Please note that if the rear dimension is less than 10 cm it may be prudent to install the stove so it can be removed for servicing the Autopilot. Other distances are minimum distances for safety reasons.

Remember to pay attention to applicable regulations concerning the required distance between the wall and smoke pipe.

Please be aware that not all glass parts are heat-resistant. For this reason, a glass wall should sometimes be treated as a flammable wall, in which case we ask that you please contact your local chimney sweep or glass producer to hear at what distance the stove should be kept from glass.

IMPORTANT

Combustible materials may not be placed under the stove.

WIKING Mini with a base and WIKING Mini with short legs must not be mounted on combustible floors. It is still considered a combustible floor even if an ember catching, non-combustible floor plate is placed on top of the combustible floor.

A non-combustible structure under WIKING Mini with a base and low legs must extend at least 400 mm in front of the stove.

For UK

The variant with small legs and the variant with a base must be installed on a BS non combustible/constructional hearth. The non combustible/constructional hearth must extend 300 mm in front of the appliance.

Floor in front exceed 100°C demand closer than 300 mm in front of the stove with a 20 mm base.

Floor directly beneath the stove with 20 mm base does not exceed 65K or 100°C

Height Requirements

The WIKING Mini has a smoke outlet at the top and at the back. It can be installed with an approved smoke pipe and a steel chimney, or connected to a brick chimney with a fullform smoke pipe.

Connection to the Chimney

The chimney must be of a proper height to ensure that the draft is sufficient and that smoke does not become bothersome. If the chimney is so high that it cannot be cleaned from the top, an easily accessible cleaning hatch must be installed. We recommend, however, that you always contact your local chimney sweep before purchasing a chimney.

Make sure that the chimney is tight and that no false draft is caused around neither the cover plate, in connection with a covered smoke outlet, nor the cleanout door and pipe connections. Please note that bent and/or horizontal smoke pipes will reduce the effect of the chimney draft.

Requirements for Chimney and Smoke Pipe

Nominal draft: Approximately 12 Pascal/1.2 mm water gauge.

Minimum clearance: Ø125 or Ø150 mm, depending on the threaded hose connection of your WIKING wood-burning stove. The clearance inside the chimney must at least be of the same diameter as the threaded hose connection.

Smoke pipe and chimney must always be suitable for a stove connection. Ask your WIKING dealer for more information.

User Instructions

Before Using the Wood-Burning Stove

It is important that you ensure the following:

- That all of the wood-burning stove's individual components are in place.
- That the chimney has been approved by your local chimney sweep.
- That fresh air can be supplied to the room in which the wood-burning stove is to be installed.

Some Things Worth Knowing about Fuels

Permitted Fuel Types

The wood-burning stove is only EN-approved for firing with wood. Using dry wood with a maximum water content of 18% is recommended. Firing with wet wood results in soot, environmental strain and poor fuel efficiency. It is recommended to purchase a hygrometer to continuously check that the firewood has the correct moisture content before using it for firing.

Recommended Wood Types

All types of wood, such as birch, beech, oak, elm, ash, coniferous and fruit trees can be used as fuel in your wood-burning stove. The big difference is found not in the heat value, but in the wood's weight per cubic meter. As beech weighs more per cubic meter of wood than common spruce (e.g.), more common spruce must be added to provide the same amount of warmth the beech provides.

Prohibited Fuel Types

Firing with the following is prohibited: Printed matter • Plastic • Rubber • Chipboards • Liquid fuels • Waste, such as milk cartons and the like • Lacquered, painted or impregnated wood • Fossil fuels.

The reason why you cannot fire with the abovementioned is that, during combustion, unhealthy and environmentally damaging substances are created. These substances can also damage your wood-burning stove, which will result in the guarantee being voided.

Firing with Coal or Coke

The WIKING Mini is not approved for firing with coal and coke.

Storing Wood

Water content of maximum 18% is achieved by storing the wood for at least one year - preferably two years - outdoors, beneath a shed roof. Wood that is stored indoors tends to become too dry and burn too quickly; though kindling is best when stored indoors a couple of days before being used.

Recommended Dimensions

The fuel's dimensions are important for good combustion, and should be as follows:

Fuel type	Length in cm	Diameter in cm
Kindling (finely split firewood)	16-28	2-4
Split firewood	16-28	6-9

Using the Air Damper

To achieve good combustion, which results in better heating efficiency, it is important to add the right amount of air to the fire. Air is regulated with a user-friendly, one-lever system that is located under the stove door; see Figure B.

When lighting a cold stove and when fuelling with new wood, the regulating lever must be pushed to the extreme left to give the fire maximum air supply. When the fire is burning well, the air supply can be gradually reduced by moving the regulating lever to the right.

The fire will die out if the regulating lever is moved to the extreme right. This setting should only be used in the case of overheating, if there is a fire in the chimney and when the fire in the stove has been allowed to go out completely in connection with cleaning, for instance.

Some Things Worth Knowing about Firing

Maximum Firing Amount

Fuel	Maximum amount per hour
Wood	2.4 kg

Warning: Too much heat can destroy your wood-burning stove, the chimney and your fire-place ducts. Therefore, if you exceed the abovementioned limits, your wood-burning stove, chimney and fireplace duct will no longer be covered by the factory guarantee.

Normal Firing Interval for Nominal Firing

Fuel	kg	Normal firing interval
Wood	1.0	45 min

Please note: The stove is approved for intermittent use.

The EN test is performed with 2 logs, both with a length of 16 cm, cross-section approximately 7.5 x 7.5 cm placed in vermiculite back plate to door orientation. It is burned with the air control set to max (the control lever pushed all the way to the left). After three minutes, it is regulated down to 40% (control lever set slightly less than half way to the right).

The Difference between Short and Long Combustion Times

Short combustion time

You achieve a rapid and strong heat if you burn several, smaller pieces of wood.

Prolonged burning

You achieve a long burning time if you burn a few, slightly larger pieces of wood (max. 1 kg per piece, and always 2 pieces). You can extend the burn time by further closing off the air when the flames are dying out. When stoking, adjust up for maximum air (control lever is moved fully to the left). When the wood is burning well, slowly adjust the air down (control lever is moved to the right). You should not regulate below the point where there are continuously large, visible flames from the wood. When the wood has burned about 20 minutes and the flames are not as active, the air intake can be adjusted further down.

Achieving the Best Possible Combustion

Use Dry, Clean Wood

Wet wood results in poor combustion, excess smoke and soot. In addition, more warmth will be used to dry the wood instead of heating the room.

Fire a Bit at a Time

You achieve the best possible combustion by firing often and a bit at a time. If you add too much firewood at once, too much time will pass before the temperature becomes high enough for you to achieve good combustion.

Make Sure there is the right Amount of Air in the Combustion Chamber

You should also make sure that there is an ample amount of air - especially in the beginning - so that the temperature inside the wood-burning stove quickly rises. Gases and particles released during burning are then more easily burned off. Otherwise, they gather as soot in the chimney (which increases the risk of chimney fire) or are emitted unburned into the atmosphere. The wrong amount of air supply creates inefficient combustion and a modest effect.

Don't Savour the Fire during Night Time

We advise against adding fire wood to your stove and reducing the air supply at night in an attempt to still have some embers left in the morning. If you do so, large amounts of hazardous smoke will be emitted, and your chimney will be exposed to unnecessarily large amounts of soot with the risk of a chimney fire.

Lighting and Firing your WIKING Wood-Burning Stove

The First Firing

The first time you fire your wood-burning stove, you must do so carefully, as all materials need to adjust to the heat. This means that the stove must be heated slowly, until it reaches its maximum heat level. Afterwards, you should fire a few times so that the stove is thoroughly heated throughout.

Be Careful of the Lacquer

The lacquer used to treat the wood-burning stove will harden the first 2-3 times the stove is fired, and this can create unpleasant smoke and odours. Ensure therefore that the room is well ventilated. The door must also be carefully opened; otherwise there is a risk that the seals will stick to the lacquer.

Warning: The accompanying glove may wear the surface paint off. Be careful not to touch the varnished surfaces and the handle the first two to three times you light the fire. Even after the paint has hardened, repeated use of the glove may wear the surface paint off.

Lighting

A successful combustion process requires that the wood is lit in the right way. A cold stove and a cold chimney challenge the combustion process. It is important to achieve a high flue gas temperature quickly.

1. Moving the regulating lever to the extreme left fully opens the air supply to the combustion chamber.

2. Place 2 pieces of firewood (4-7 cm in diameter) horizontally at the bottom of the firebox burn chamber (corresponding to a total of 0.75 to 1 kg). Place 6-10 pieces (a total of about 1 kg) kindling crisscross on top.
3. Place four firelighters between the top layer of kindling. WIKING recommends using high-quality firelighters, as they do not produce smoke or odours.
4. Light up the fire-lighters and close the stove door.
5. When the fire has taken hold of the wood, move the regulating lever little by little to the right, to achieve a smooth and steady combustion.

Warning: The door may only be kept open when lighting, adding firewood or cleaning the wood-burning stove; otherwise combustion becomes too powerful, which in turn increases the risk of the stove becoming overheated.

Firing (Adding Firewood)

When there are no more visible flames and there is a nice but not too thick layer of embers, you can stoke it again.

1. Carefully open the door to prevent smoke and embers from escaping.
2. Make sure that there is an opening in the ember layer down to the grate (preferably in the middle of the grate), so that air from the grate can easily pass through the embers to the wood.
3. Add 2-3 pieces of chopped firewood (about 1-2 kg) on the embers. The firewood should not be stacked higher than the holes in the vermiculite back plate. If the firewood is stacked up past the holes, the air from the holes in the back plate will act as the “initiator”, which is not the purpose of the air.
4. Shut the door again and fully open the air supply by moving the regulating lever to the extreme left.
5. When the wood has caught fire properly, the air supply can be gradually reduced by moving the regulating lever to the right until uniform, steady combustion is achieved. The further to the right the regulating lever is moved, the less heat the stove will give off. But it is important not to regulate the air supply below a level at which there are still visible flames and steady combustion.

Warning: During combustion, the stove’s surfaces and door become extremely hot - exercise great caution.

Some Things Worth Knowing about the Smoke Pipe

Description of the Smoke Pipe’s Function

The smoke pipe is the duct located between your wood-burning stove and chimney. Your WIKING wood-burning stove is fitted with a threaded hose connection with a diameter of 125mm or 150mm. If your stove is to be connected to a brick chimney, it is best to mount a curved smoke pipe to the stove’s top outlet. This solution - in which the smoke pipe extends a half meter over the stove before connecting to the chimney - provides your home with 1 kW of extra warmth. The curved shape ensures minimum soot build-up in the pipe and thereby lessens the risk of chimney fires. We only recommend this solution provided that your brick chimney is completely sealed and has a sufficient draft. You can read more on the chimney in the next section.

Some Things Worth Knowing about the Chimney

Description of the Chimney's Function

The chimney serves as the wood-burning stove's 'motor', and it is crucial to the stove's proper functioning. The chimney draft creates a vacuum inside the wood-burning stove. This vacuum serves two purposes:

1. To remove smoke from inside the wood-burning stove.
2. To suck air in through the air damper during lighting and combustion, and to keep the glass pane free of soot.

How to Create the Best Possible Chimney Draft

Even a quality chimney can function poorly if used improperly. It is crucial that both your wood-burning stove and the chimney are installed in accordance with the directions; otherwise it will not be possible to attain satisfactory combustion.

Chimney draft is created by the difference in temperature between the inside and outside of the chimney. The higher the temperature inside the chimney, the better the chimney draft. This means that it is very important for the chimney to be heated thoroughly before you reduce the air supply to limit combustion in the stove, cf. the section on lighting and fuelling your WIKING stove. Please be aware that it takes longer to heat a brick chimney than a steel chimney.

On days when weather and wind conditions create a poor draft in the chimney, it is especially important to heat up the chimney as quickly as possible. When lighting, use extra-finely split firewood and an extra firelighter, as flames quickly heat up the stove.

After a Longer Period of Disuse

If you have not used your wood-burning stove in a while (e.g. for an entire summer season), it is important to check for blockage in the chimney duct. Contact your local chimney sweep.

Connecting Several Heating Sources to the Same Chimney

It is possible to connect several units to some chimneys. All applicable regulations must first be consulted, in your building code and with your local chimney sweep.

Chimney Fire

In the event of a chimney fire:

- Close all dampers in the chimney and push the regulating handle on the stove to the extreme right. Contact the fire brigade.

Before using the wood-burning stove again, your local chimney sweep must first inspect the chimney.

Cleaning and Maintaining your Wood-Burning Stove

Warning: Cleaning and maintenance of your wood-burning stove may only be performed when it is cool.

External Cleaning

The outside of your stove can be dusted as needed with a soft cloth or dust brush. Do not use water, spirit or any other kind of cleaner, as this will damage the lacquer.

Cleaning the Glass Door

Your WIKING wood-burning stove is equipped with a pane-flush system, which reduces the build-up of soot on the glass. If soot somehow accumulates on the pane, it can be cleaned by wiping the glass with a moist paper towel dipped in ash. Afterwards, dry with a clean paper towel. When cleaning, we recommend that you use vertical strokes. You should also ensure that air gaps in the door frame are free of ash and soot particles. Also ensure that the seals on the stove are soft and fully intact; if they are not, 'false' air can enter the stove, which makes it more difficult to control combustion and can in turn cause overheating or soot accumulation. Faulty or worn seals should therefore be replaced and can be purchased at your local wood-burning stove dealer.

Emptying the Ash Pan

Important: Be aware that embers in the ash can remain hot for up to 24 hours after the fire in the stove has gone out!

The ash pan is most easily emptied by pulling a waste bag over the pan, turning the pan upside down, and then carefully pulling it up and out of the bag again.

Cleaning the Combustion Chamber

In order to extend the service lifetime of the wood-burning stove, it should be thoroughly serviced once a year. First remove ash and soot from the combustion chamber. In Figure C you can see which plates are found inside the combustion chamber. Carefully remove the vermiculite plates, one after the other, in the following sequence:

1. Smoke deflector (top plate)
2. Rear plate
3. Left corner plate
4. Right corner plate
5. Left side plate
6. Right side plate

After cleaning, the vermiculite plates are carefully reinserted in reverse order, starting with the right side plate.

Over time, the combustion chamber's effective yet porous insulation can become worn and damaged. A crack in the back plate can cause secondary air to become incorrectly distributed in the combustion chamber, and it should therefore be replaced. Cracks in the other plates will not affect the efficiency of the wood-burning stove. They should, however, be replaced when worn down to half of their original thickness.

Automatics (Drawing D1-D3)

The spring in the automatism should be controlled at least once every second year. Lift the top plate off the stove. Remove the two screws (1) in the top of both side plates. Remove both side plates. Remove the rear plate of the stove (2). On a cold stove, the starting point of the feeler is controlled. The starting point on a cold stove is about 10° above horizontal. It should feel easy going and bouncy when you push it, no matter if the stove is cold or hot. Mount the rear plate, the side plates and the top plate again.

Surface Treatment

It is normally not necessary to treat the wood-burning stove's surfaces. If the lacquer has been damaged, you can repair it by using a special senotherm spray, which can be purchased from your local wood-burning stove dealer.

Chimney Sweeping

In order to prevent against the risk of chimney fires, the chimney must be cleaned once a year. The smoke pipe and smoke chamber above the steel smoke deflector must be cleaned at the same time as the chimney. If the chimney's height makes cleaning from above impossible, a cleaning hatch must be installed.

Service Inspection

WIKING recommends a thorough service inspection every other year, so that your wood-burning stove will last for many years. The service inspection must be performed by a qualified serviceman, and only original spare parts should be used.

Among other things, a service inspection includes:

- A thorough cleaning of the stove.
- Greasing of the hinges with copper grease.
- Inspection of the heat-insulating plates (the vermiculite set).
- Check that the regulating lever moves smoothly.
- Inspection of the seals and the replacement of worn parts.

If you have any questions, please consult our FAQ page at www.wiking.com, or contact your local wood-burning stove dealer.

Declaration of Performance

The DoP can be downloaded from our website via the following links:

WIKING Mini 2 www.wiking.com/dop/mini2

Trouble Shooting

If you experience that your wood-burning stove is not functioning optimally, consult this table to find some usual problems that may arise and how to solve them. If you cannot solve them and/or other problems occur, please contact your maintenance man or wood-burning stove dealer.

Problem	Possible Cause	Try the Following
I cannot make a sufficient fire in the stove.	Incorrect lighting.	Further information: See the section on lighting and firing the stove.
	Poor chimney draft.	Ensure that the smoke pipe or chimney is not blocked. Ensure that the chimney height is correct in relation to its surroundings.
The glass pane is covered in soot.	The wood is too moist.	Only fire with firewood that has dried for at least 12 months beneath a covered shed and with a maximum water content of 18%.
	A seal in the door is loose.	The seals should be soft and flexible. If they are not, replace them. New seals can be purchased from your local wood-burning stove dealer.
	Insufficient supply of secondary air to the pane-flushing system.	Move the regulating handle further to the left.
	The temperature inside the stove is too low.	Put more wood in the stove and move the regulating lever further to the left.
Smoke enters the room when I open the door.	The damper in the chimney is closed..	Open the damper.
	Poor chimney draft.	Ensure that the smoke pipe or chimney is not blocked. Ensure that the chimney height is correct in relation to its surroundings.
	The firewood is in flames.	Never open the door if the firewood is in flames.
The fire-proof materials in the combustion chamber are blackened after firing.	You have not fired enough, i.e., there is not enough air or firewood.	Move the regulating handle further to the left. Moreover, igniting a larger quantity of wood might be needed.
Combustion is uncontrollable.	A seal in the door or ash drawer is loose.	The seals should be soft and flexible. If they are not, replace them. New seals can be purchased from your local wood-burning stove dealer.
	Excess chimney draft.	Close the damper in the chimney a bit at a time until the problem is solved. At the same time, move the regulating lever further to the right.
	The door is not completely sealed.	Close the door completely. If it cannot close completely, it must be replaced with an original spare part.

Guarantee and Claim Conditions

- Five Years' Extended Right to Invoke Lack of Conformity

Congratulations on the purchase of your new WIKING wood-burning stove.

All of our products are of high-quality craftsmanship, manufactured in first-class materials and subject to a thorough quality control process. That is why we are convinced that you have purchased a product that will function problem-free for many years to come. Should a problem arise, however, you are naturally guaranteed the best possible service available.

In addition to the rights you have in accordance with the ordinary rules of the Sale of Goods Act, HWAM A/S provides an extended, five-year right to submit claims from the date of purchase. You must save your original receipt with purchase date as proof of the date of purchase.

Extent

The extended complaint entitlement covers the basic construction of the stove such as panel components, welding, etc., and includes components which must be replaced or repaired in accordance with HWAM's evaluation. Wear parts are not covered by the guarantee.

The complaint entitlement is given to the first buyer of the product and cannot be transferred (except in connection with resale).

The complaint entitlement is only valid in the country to which the product was originally delivered.

Shipping and handling expenses incurred when sending the stove or individual parts for replacement or repair will not be covered by HWAM A/S.

Limitations/loss of Guarantee

Certain things are not covered by the guarantee, and the right to invoke lack conformity may lapse if the stove is not maintained and operated in accordance with the instructions. Among other things, this applies to the following:

- Faults or damage arising through:
 - Incorrect fitting, installation or connection of the stove.
 - Incorrect operation, incorrect use or misuse of the stove.
 - Fire, accidents or similar situations.
 - Repairs carried out by others than HWAM A/S or authorised distributors.
 - The use of spare parts not manufactured by HWAM A/S.
 - Lacking or inadequate service and maintenance.
 - Changes made in the product or its accessories in relation to the original state and construction of the stove.
- Construction modifications made to the wood-burning stove.
- If the serial number of the stove has been damaged or removed.
- Deterioration of wearing parts and moving parts.
- Corrosion.
- Transport costs.
- Transport damage.
- Costs in connection with any dismantling and reassembling the stove.
- Extra costs of any kind and any consequential damage that may occur.

Surface treatment

If surface treatment is lacking on the factory's behalf, this should become apparent after the first few firings. In other respects, no claims will be accepted related to the lacquer.

Wear parts

A number of parts of your wood-burning stove are designated as wear parts and are therefore not covered by the right to invoke a lack of conformity. Wear parts include:

- Heat insulating material. Either fireproof stone or special panels made of vermiculite.
- Smoke deflection plates.
- Glass.
- Tiles, soapstone and natural stone.
- Cast iron parts at the base, such as the grate.
- Gaskets.
- All moving parts.

Damage to wearing parts will only be covered by the guarantee if the buyer can show that the damage was present when the stove was delivered.

Service and Maintenance

We recommend that you maintain the wood-burning stove and comply with the recommended inspections called for in the user instruction manual. This will help to ensure that the product functions problem-free.

Claims

All claims must be directed to the dealer from whom the wood-burning stove was purchased. HWAM A/S does not accept claims directly from the end-user. Always provide the serial number of your stove – you will find it on the type sign on the back of the stove.

Unwarranted Claims/Service Calls

Before registering a claim, you should inspect your WIKING wood-burning stove for possible faults that you yourself can rectify; consult the enclosed user instruction manual as needed. Should your claim and repair demand prove to be unwarranted, you will be invoiced for the related costs.

Serial no.



Warranty service

It is important that you record your dealers name, address and telephone number on this section, as he is responsible for any adjustment which may be required during the warranty period.

Model type

Date of purchase

Dealer

Adress

Tel.