



Vogue Inset Front

For use with Gazco Logic HE



Instructions for Use and Installation
For use in GB, IE (Great Britain and Republic of Ireland)

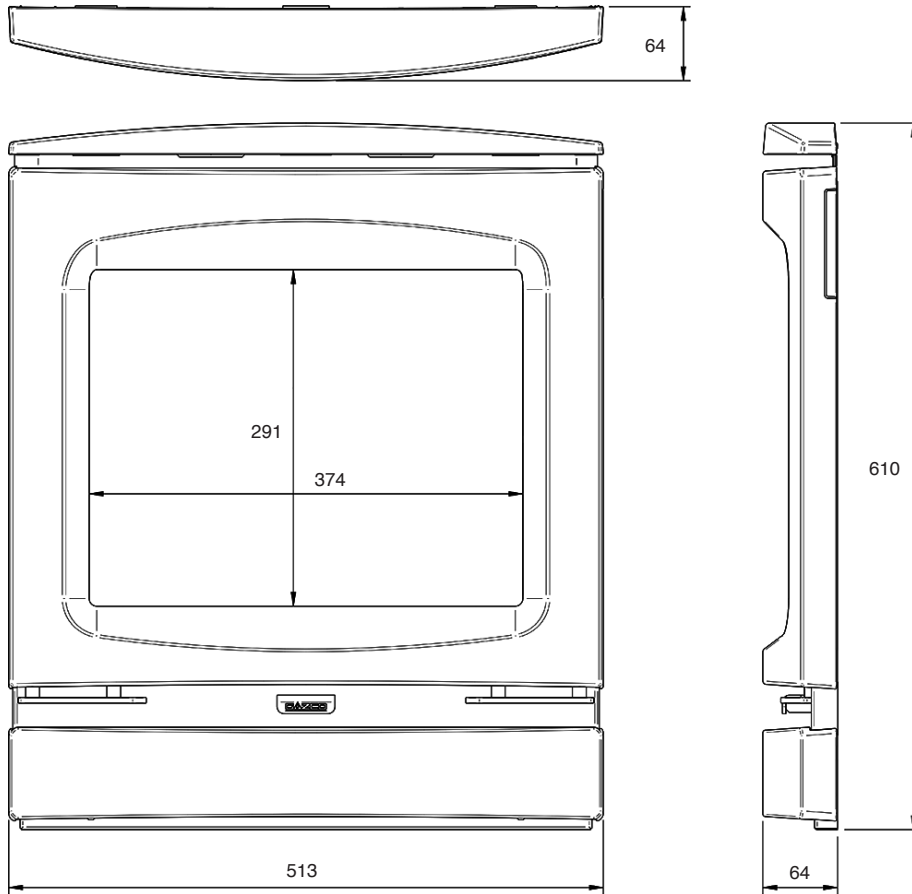
Installation Instructions

Covering frame model numbers:

Vogue Inset Front	
Logic HE	901-398

1. General

- 1.1 These instructions are supplementary to, and must be read in conjunction with, the instructions supplied with the appliance. Read both thoroughly before installation.
- 1.2 The Vogue Inset front comes as a kit and fitting should be carried out after the appliance has been installed and commissioning tests completed.
- 1.3 Ensure that these supplementary instructions are attached to the appliance installation instructions and leave with the user.



All dimensions in mm

Installation Instructions

2. Pre-Installation

2.1 The front consists of the following components:

- Sub-frame Main Assembly
- Sub-frame Cast Top
- Decorative Cast Iron Door Assembly
- Cast Control Cover
- 2 x Fixing Screws

The decorative cast iron top will need to be fitted to the sub-frame prior to installation.

3. Fitting the Sub-Frame

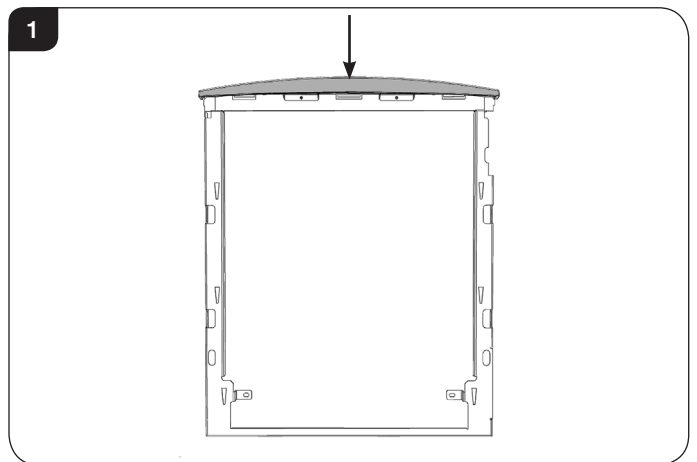
3.1 Complete the installation of the Logic HE by following the installation instructions supplied with the appliance.



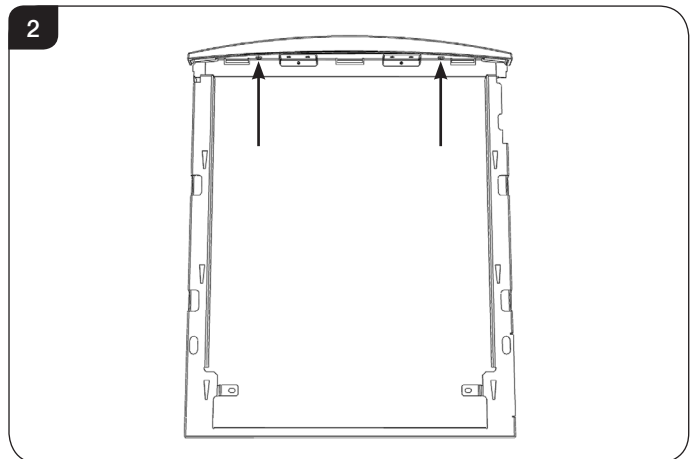
Slide Control Models only:
Caution: Take care not to damage the slide control handle during installation.

The following instructions cover the fitting of the sub-frame for all models.

3.2 Place the Cast Top in position on the top of the sub-frame, see Diagram 1.

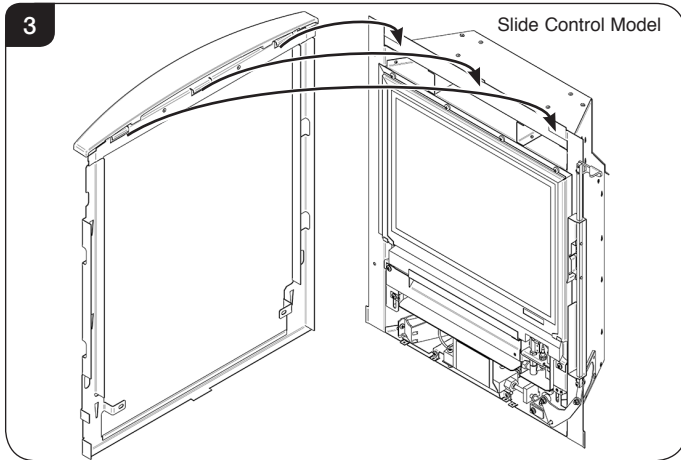


3.3 Fasten the Cast Top using the 2 fixing screws provided, see Diagram 2.

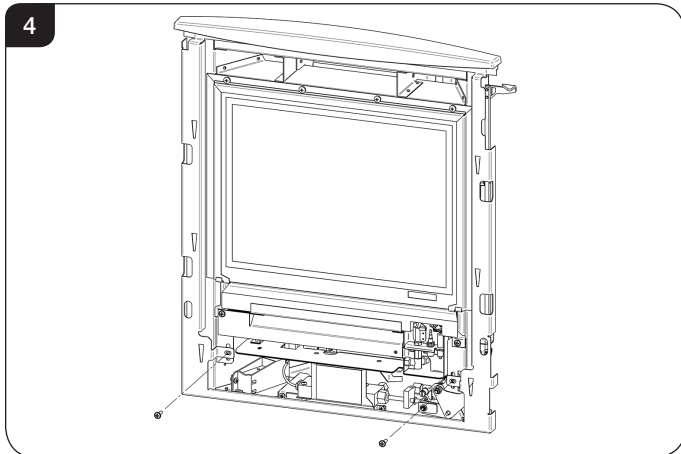


Installation Instructions

- 3.4 Locate the top edge of sub-frame onto the tabs found at the top of convector box and push down firmly to ensure correct fitting, see Diagram 3.



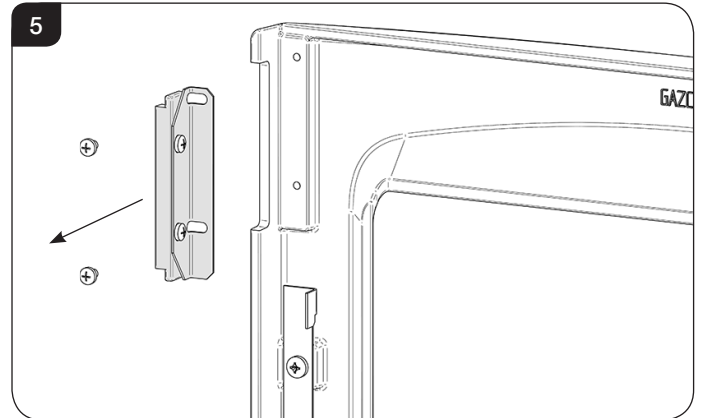
- 3.5 Secure the sub-frame to the bottom of the appliance with the 2 fixing screws provided, see Diagram 4.



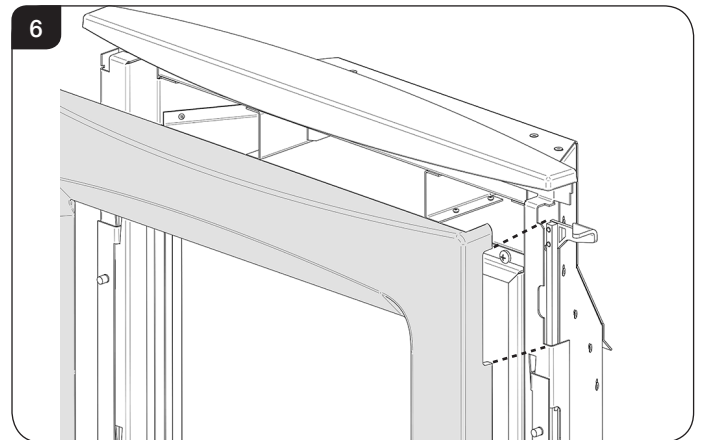
4. Fitting the Vogue Inset Front

Slide Controls Models only

- 4.1 Remove the cast infill from the front by unscrewing the 2 screws. This provides a cutout for the slide mechanism, see Diagram 5.



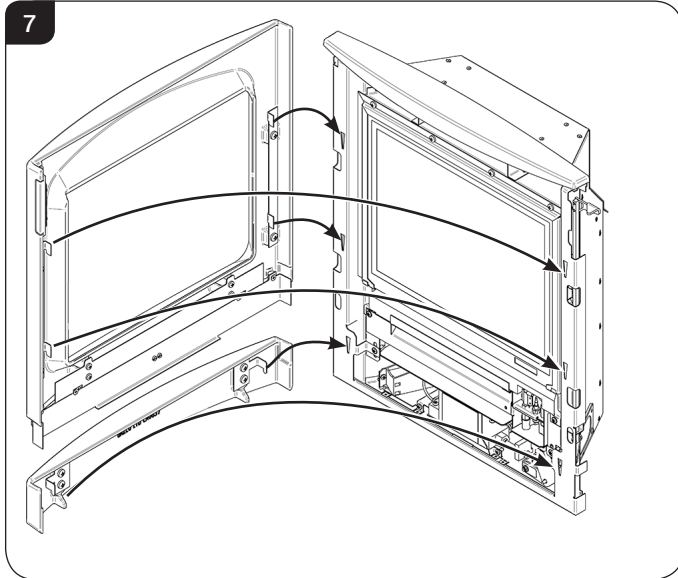
Caution: When fitting the front ensure that the cutout fits around the slide mechanism, see Diagram 6. Take care not to damage the slide control handle during installation.



Installation Instructions

All Models

- 4.2 Rest the bottom fixing hooks into the bottom locating slots. Lift the upper frame fixing hooks into the top locating slots and lower into final position, see Diagram 7.



- 4.3 To fit the control cover:

Locate the fixing hooks into the locating slots and lower into final position, see Diagram 7.

5. Cleaning and Controls

Ensure the appliance is cold before attempting to clean the front.

- 5.1 Do not use abrasive cleaners.
- 5.2 The front should be cleaned using a damp cloth and buffed with a lint free duster.
- 5.3 Access to the controls is behind the ash pan cover.

Gazco Limited, Osprey Road, Sowton Industrial Estate, Exeter, Devon, England EX2 7JG
Technical Customer Services (01392) 261950 Fax: (01392) 261951
E-mail: technicalservices@gazco.com

A member of the Stovax Group

E & O E