



Fire Your Imagination

Vogue Range

Conventional Flue Log Effect Stove

With Upgradeable Control Valve



Instructions for Use, Installation and Servicing

For use in GB, IE (Great Britain and Republic of Ireland)

IMPORTANT

THE OUTER CASING, FRONT AND GLASS PANEL BECOME EXTREMELY HOT DURING OPERATION AND WILL RESULT IN SERIOUS INJURY AND BURNS IF TOUCHED. IT IS THEREFORE RECOMMENDED THAT A FIREGUARD COMPLYING WITH BS 8423 (LATEST EDITION) IS USED IN THE PRESENCE OF YOUNG CHILDREN, THE ELDERLY OR INFIRM.

ENSURE THAT ALL COMBUSTIBLE MATERIALS ARE NOT POSITIONED ABOVE OR NEAR TO THE APPLIANCE OUTER CASING.

This product contains a heat resistant glass panel. This panel should be checked during Installation and at each servicing interval. If any damage is observed on the front face of the glass panel (scratches, scores, cracks or other surface defects), the glass panel must be replaced and the appliance must not be used until a replacement is installed. Under no circumstances should the appliance be used if any damage is observed, the glass panel is removed or broken.

It is essential that ALL of the screws that retain the glass frame are replaced and tightened correctly. Under no circumstances should the appliance be operated if any of these screws are loose or missing.

These Instructions must be left with the appliance for future reference and for consultation when servicing the appliance. Please make the customer aware of the correct operation of the appliance before leaving these instructions with them.

The commissioning sheet found on Page 3 of this Instruction manual must be completed by the Installer prior to leaving the premises.

Contents

Gazco Vogue Range - Conventional Flue

Covering the following models:

Model	VOGUE MIDI	VOGUE MIDI T MIDI	VOGUE MIDI MIDLINE	VOGUE MIDI T MIDLINE	VOGUE MIDI T HIGHLINE
Nat Gas	563-123	563-180	563-392	563-224	563-191
LPG	563-426	563-701	563-466	563-493	563-447

Appliance Commissioning Checklist3

User Instructions4

Installation Instructions 10

Technical Specifications 10

Site Requirements 14

Installation 16

Commissioning 24

Servicing Requirements25

Fault Finding 25

How to replace parts 27

Spare parts list 35

Service Records 41

Information Requirement - Gas Heaters 42



If you have purchased your stove or fire from an authorised stockist within our Expert Retailer Network, then automatically your product will carry a 2 year warranty as standard. The 2 year warranty can be further extended to a total warranty period of 5 years by registering your Gazco Stove or Fireplace within one month of the later of the purchase date or installation date. Accordingly, the start date for the warranty period is the date of purchase. During the registration process, the Expert Retailer details will be required for your Extended Warranty to be activated. Any product purchased outside of our Expert Retailer Network will carry a standard 12 month, non-extendable warranty.

It is a condition of the Extended Warranty that the installation complies with the relevant Building Regulations and is carried out by a suitably trained and qualified individual (GasSafe in the UK or equivalent in other countries) with the certificate of installation and the Commissioning Report on Page 3 completed and retained by the end user.

Full terms and conditions are detailed in the Warranty Statement on the Gazco website www.gazco.com. In the event of any conflict of information the wording on the website shall prevail.

Important Note: Should any problems be experienced with your product, claims must first be submitted to the Expert Retailer where the appliance was purchased from who will offer immediate assistance or contact Gazco on your behalf.



It is a requirement of the Building Regulations 2010 that the installation of this appliance is notified to the Local Authority. It is the responsibility of the GasSafe registered installer to carry out this notification to the Local Authority via the GasSafe register Competent Persons Scheme in England and Wales (different rules apply in Scotland and Northern Ireland).

When the installation has been notified, GasSafe will send a Building Regulations Compliance Certificate to you containing details of the work completed. Please ensure that the person responsible for the installation of this appliance completes this notification and records it in the Appliance Commissioning Checklist on page 3.

IT IS YOUR RESPONSIBILITY TO COMPLY WITH THE BUILDING REGULATIONS AND BE ABLE TO PRODUCE THIS CERTIFICATE SHOULD IT BE REQUIRED IN THE FUTURE.

Appliance Commissioning Checklist

To assist us in any guarantee claim please complete the following information:-

IMPORTANT NOTICE

Explain the operation of the appliance to the end user, hand the completed instructions to them for safe keeping, as the information will be required when making any guaranteed claims.

FLUE CHECK	PASS	FAIL
1. Flue Is correct for appliance		
2. Flue flow Test		
3. Spillage Test		
GAS CHECK		
1. Gas soundness & let by test		
2. Standing gas pressure	mb	
3. Appliance working pressure (on High Setting) Minimum Pressure Requirement: NG - 17.5mbar LPG - 34.5mbar NB All other gas appliances must be operating on full	mb	
4. Gas rate	m ³ /h	
5. Does Ventilation meet appliance requirements		
6. Have controls been upgraded (Upgradeable models only)	8455 Standard	YES NO
	8456 Programmable Thermostatic and Timer	YES NO
SAFETY CHECK		
1. Check soundness of the Thermocouple connections - including tightness and lead integrity		
2. Glass checked to ensure no damage, scratches, scores or cracks		
3. Glass frame secured correctly and all screws replaced		
BUILDING CONTROL NOTIFICATION	YES	NO
1. Installer notified GasSafe/Local Authority of installation via Competent Persons Scheme?		

RETAILER AND INSTALLER INFORMATION

Retailer	Installation Company
.....
.....
Contact No.	Engineer
Date of Purchase	Contact No.
Model No.	GasSafe Reg No.
Serial No.	Date of Installation
Gas Type	

User Instructions

Welcome

Congratulations on purchasing your Gazco Vogue, if installed correctly Gazco hope it will give you many years of warmth and pleasure for which it was designed.

The purpose of this manual is to familiarise you with your appliance, and give guidelines for its installation, operation and maintenance. If, after reading, you need further information, please do not hesitate to contact your Gazco retailer.

WARNING



In the event of a gas escape or if you can smell gas, please take the following steps:

- **Immediately turn off the gas supply at the meter/emergency control valve**
- **Extinguish all sources of ignition**
- **Do not smoke**
- **Do not operate any electrical light or power switches (On or Off)**
- **Ventilate the building(s) by opening doors and windows**
- **Ensure access to the premises can be made**

Please report the incident immediately to the National Gas Emergency Service Call Centre on 0800 111 999 (England, Scotland and Wales) , 0800 002 001 (N. Ireland) or in the case of LPG, the gas supplier whose details can be found on the bulk storage vessel or cylinder.

The gas supply must not be used until remedial action has been taken to correct the defect and the installation has been recommissioned by a competent person.

1. General

- 1.1 Installation and servicing must only be carried out by a competent person whose name appears on the GasSafe register. To ensure the engineer is registered with GasSafe they should possess an ID Card carrying the following logo:



- 1.2 In all correspondence, please quote the appliance type and serial number, which can be found on the data badge located under the top plate between the carcass and firebox or on the Commissioning Checklist on Page 3.
- 1.3 **Do not** place curtains above the appliance: You must have 300mm clearance between the appliance and any curtains at either side.
- 1.4 The manufacturer considers the full outer casing of this appliance to be a working surface and it will become hot whilst in operation. A suitable guard is recommended to protect young children, the aged and the infirm.
- 1.5 No furnishings or other objects should be placed within 1 metre of the front of the appliance.
- 1.6 If a shelf is fitted, a distance of 225mm above the appliance is required.
- 1.7 Do not attempt to burn rubbish in this appliance.
- 1.8 This appliance must only be operated with the door secured firmly in position. If any cracks appear in the glass the appliance must not be used until the glass panel is replaced.
- 1.9 This product is guaranteed for 5 years from the date of installation, as set out in the terms and conditions of sale between Gazco and your local Gazco retailer. Please consult with your local Gazco retailer if you have any questions. In all correspondence always quote the Model Number and Serial Number.

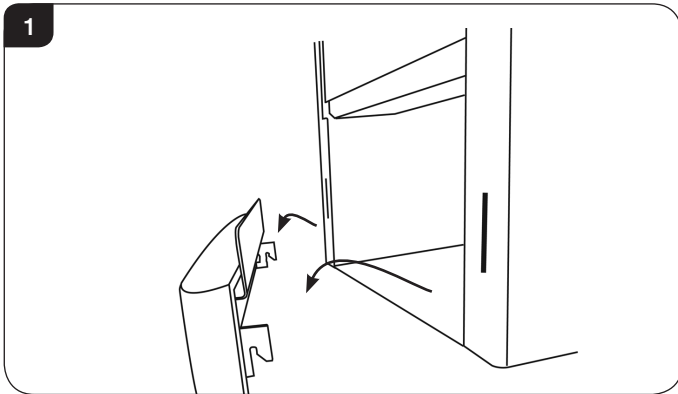
User Instructions

2. Operating the Appliance

The control valve is located behind the plinth.

Vogue Midi Models

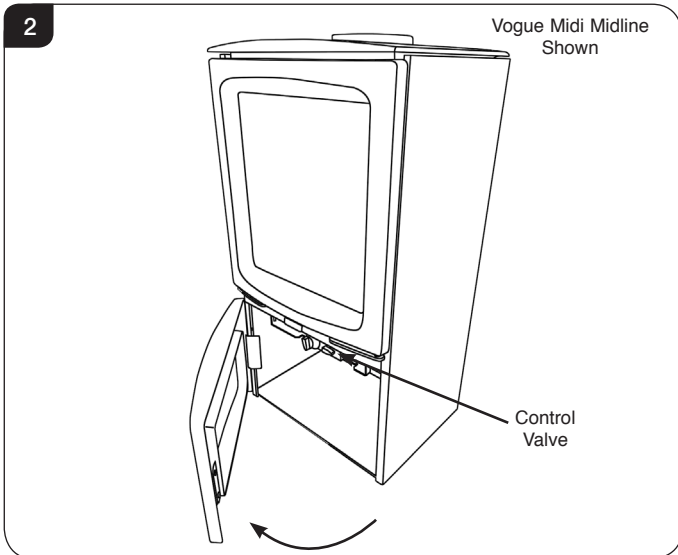
- 2.1 Remove the plinth to access the controls by lifting the hooks clear of the slots on the front of the appliance, see Diagram 1.



Vogue Midi Midline & Highline Models

The control valve is located behind the lower door.

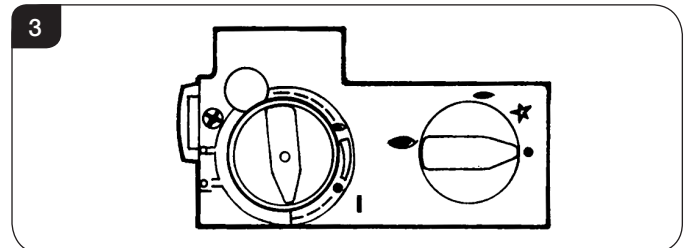
- 2.2 Pull the lower door open from the right hand side to access the controls, see Diagram 2.



All Models

The valve has two controls, see Diagram 3.

1. The right-hand knob controls the pilot ignition.
2. The left-hand knob controls the main burner.



- 2.3 Refer to separate instructions if your appliance is upgraded to include battery remote control. The instructions below apply whether or not you have the remote upgrade.

Lighting the Pilot

- 2.4 To start the left-hand and right-hand control knobs must both point to off (●):
- 2.5 Press in the right-hand control knob and rotate anti-clockwise until a click is heard. Continue to press in. The knob points to the pilot (←).

The pilot is lit.

- 2.6 Keep the knob depressed for 10 seconds before releasing. The pilot remains lit.

Repeat the above steps if the pilot does not stay lit.

NOTE: If the pilot goes out, the Interlock system prevents you lighting again for a short period.

- 2.7 If, after repeating the above steps the pilot does not light, contact your Retailer or Installer.
- 2.8 Turn the right-hand knob to the left to main burner setting (↔).

Adjusting the Flame height

- 2.9 You can now adjust the flame height and temperature using the left-hand control knob.
- 2.10 Turn the left-hand knob anti-clockwise to increase the flame height.
- 2.11 Turn clockwise to decrease the height.



IMPORTANT: YELLOW FLAMES TYPICALLY APPEAR WHEN THE APPLIANCE HAS REACHED NORMAL OPERATING TEMPERATURE. THIS CAN TAKE UP TO 30 MINUTES.



WARNING: IF THE APPLIANCE FAILS TO LIGHT OR BECOMES EXTINGUISHED IN USE, WAIT 3 MINUTES BEFORE ATTEMPTING TO RELIGHT.

User Instructions

3. Turning OFF the Appliance

- 3.1 To turn the main burner off turn the left-hand knob until it points to off (●). Just the pilot remains lit.
- 3.2 Press in and turn the right-hand knob until it points to off (●). The pilot goes out.

4. Upgrading the Appliance

- 4.1 The appliance is fitted with a control valve that can easily be upgraded to battery powered remote control. There are two versions of this control which can be obtained through your local Gazco retailer. There is no requirement for this upgrade to be carried out by an approved GasSafe engineer. However Gazco recommend that this task is undertaken by a suitably competent person.
- 4.2 This upgrade can be fitted before or after installation but if side clearances are limited then it will be easier to upgrade the appliance before installation. Full instructions are included with the kit.



If the appliance is left unattended for long periods of time (e.g. vacation), it is recommended to place the control valve in the Off or Pilot position.

Take care when leaving the appliance unattended, in exceptional circumstances sound waves from sources other than the transmitter can cause changes in the flame height adjustment.

DO NOT install two or more appliances using upgradeable controls in the same room, interference between the remote control frequencies can occur.

Standard Remote Control (PART NUMBER 8455)

- 4.3 This remote control can control the gas appliance after the pilot has been lit. It can turn the main burner on and regulate it from low through to high and back again. It can turn the main burner off leaving the pilot burning.

Thermostatic and Timer Remote Control (PART NUMBER 8456)

- 4.4 This remote control can control the gas appliance after the pilot has been lit.

MANUAL MODE

Can be used to turn the main burner on and manually regulate it from low through to high and back again. It can also be used to turn the main burner off leaving the pilot burning.

AUTO MODE

Will automatically regulate the room to a pre-set temperature.

TIMER MODE

Will turn the appliance on and off according to a pre-set programme and automatically regulate the room temperature during the two on periods.

5. Cleaning the Appliance



IMPORTANT: THE OUTER PANNELLING OF THE VOGUE MIDI IS MADE FROM CAST IRON. USE CAUTION WHEN INSTALLING, REMOVING AND STORING AS THE COMPONENTS ARE HEAVY AND SHOULD BE HANDLED CAREFULLY.

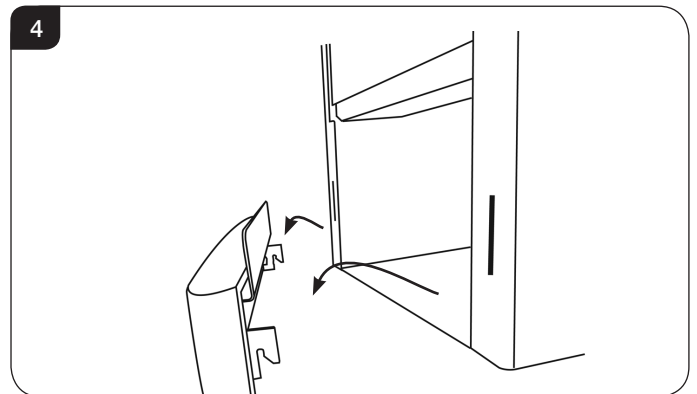
- 5.1 Make sure the fire and surrounds are cool before cleaning.

Use:

- A dry cloth to clean the appliance casing.
- A damp cloth for the glass front.

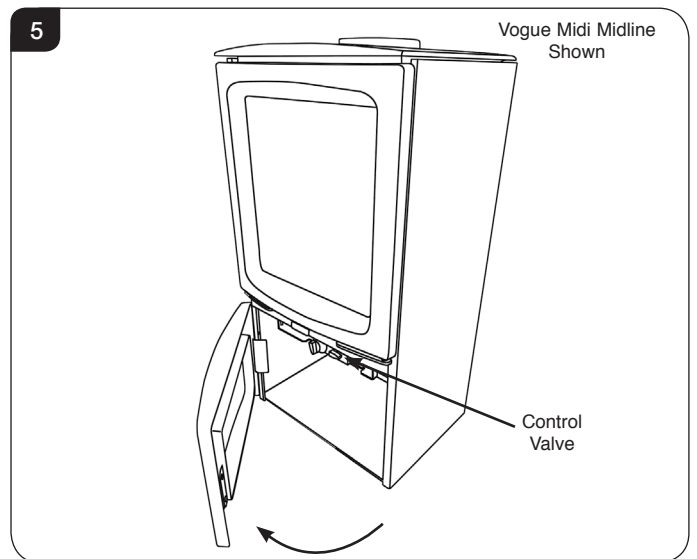
Vogue Midi Models

- 5.2 Remove the plinth to access the controls by lifting the hooks clear of the slots on the front of the appliance, see Diagram 4.



Vogue Midi Midline & Highline Models

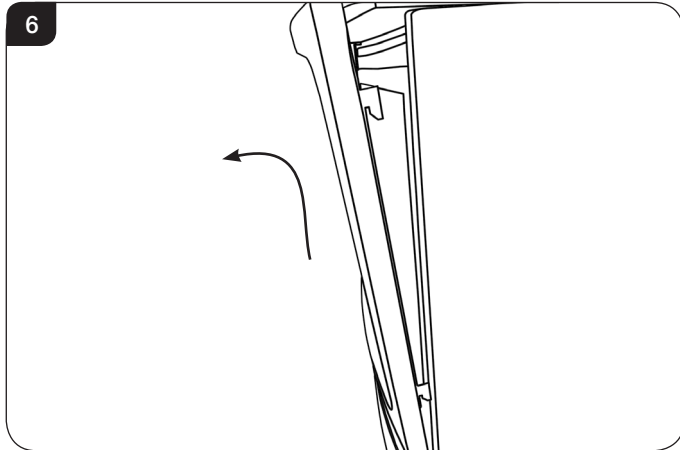
- 5.3 Pull the lower door open from the right hand side to access the controls, see Diagram 5.



User Instructions

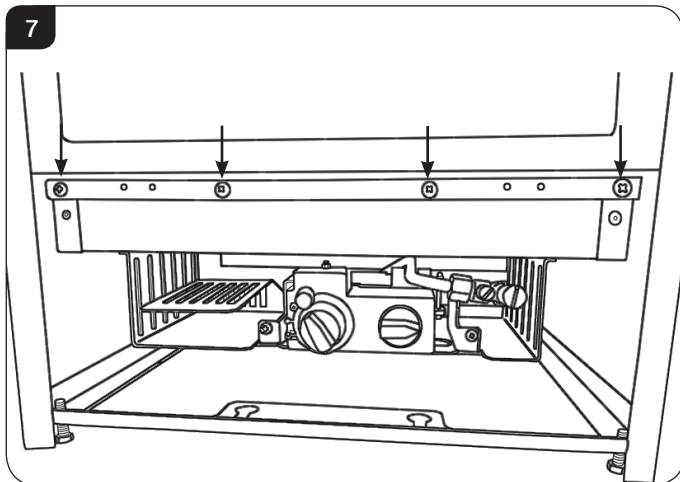
All Models

- 5.4 Remove the frame to gain access to the viewing aperture by lifting the hooks clear of the slots on the front of the appliance, see Diagram 6.

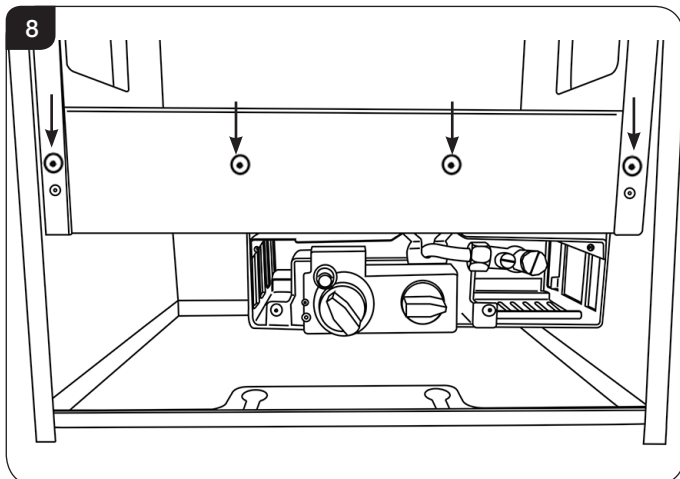


- 5.5 Using a screwdriver remove the 4 screws securing the window panel to the appliance, see Diagrams 7 & 8. Take care to support the glass when removing the screws.

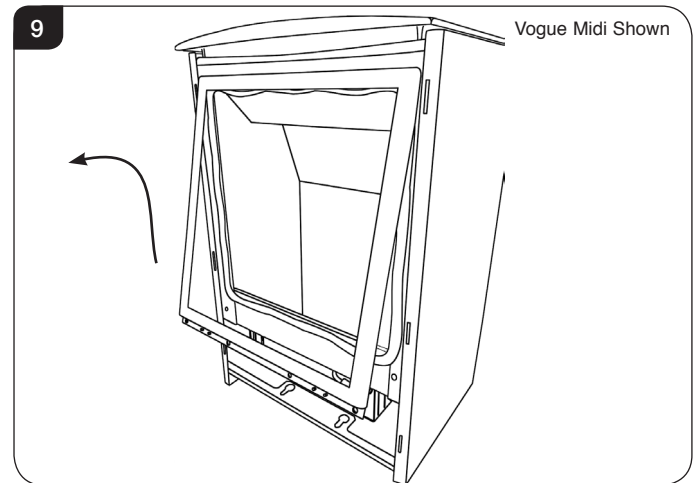
Vogue Midi & Midline



Vogue Midi T - Midi, Midline & Highline



- 5.6 The frame can be removed by lifting the hooks clear of the slots from the bottom of the frame and lifting away from the appliance, see Diagram 9.



- 5.7 The glass frame must be refitted to the appliance following cleaning or servicing. Hold in position and secure with the screws.
- 5.8 Replace ALL of the securing screws ensuring that a screw is present in all fixing slots.



UNDER NO CIRCUMSTANCES SHOULD THE APPLIANCE BE USED IF ANY OF THE GLASS FRAME RETAINING SCREWS ARE LOOSE OR MISSING.

6. Arrangement of Fuel Bed

Advice on handling and disposal of fire ceramics



The fuel effect in this appliance are made from Refractory Ceramic Fibre (RCF), a material which is commonly used for this application.

Protective clothing is not required when handling these articles, but we recommend you follow normal hygiene rules of not smoking, eating or drinking in the work area and always wash your hands before eating or drinking.

To ensure that the release of RCF fibres are kept to a minimum, during installation and servicing a HEPA filtered vacuum is recommended to remove any dust accumulated in and around the appliance before and after working on it. When servicing the appliance it is recommended that the replaced items are not broken up, but are sealed within heavy duty polythene bags and labelled as RCF waste.

RCF waste is classed as stable, non-reactive hazardous waste and may be disposed of at a licensed landfill site.

Excessive exposure to these materials may cause temporary irritation to eyes, skin and respiratory tract; wash hands thoroughly after handling the material.

User Instructions

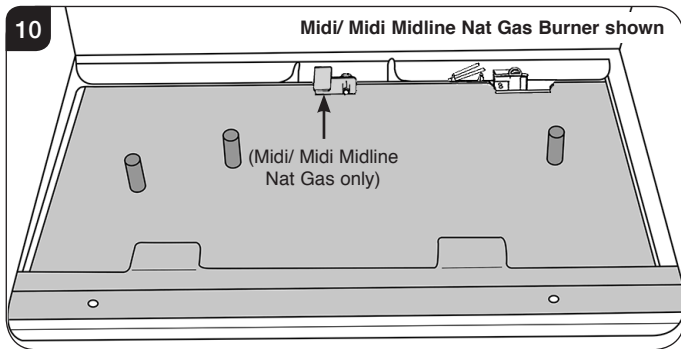
7. Log Layout

LOGS MUST BE POSITIONED ACCORDING TO THE FOLLOWING INSTRUCTIONS TO GIVE THE CORRECT FLAME EFFECT.

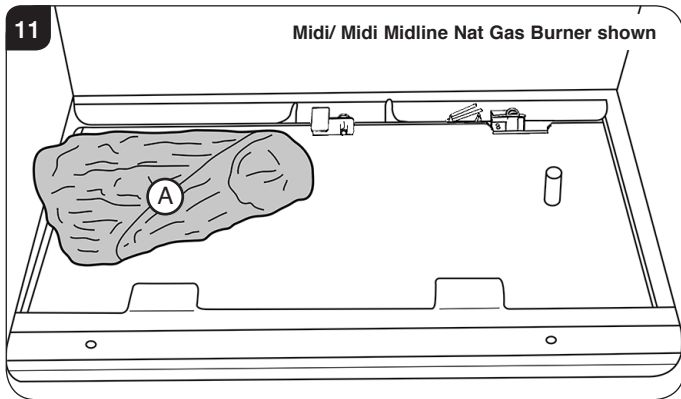
All logs can be identified by a letter (A - D) on their underside. Logs A and B have holes to locate each onto a burner stud.

- 7.1 Ensure the burner tray is clean and free from any debris, see Diagram 10.

Note: The burner trays are visually different, depending on the model, but the log layouts are the same.

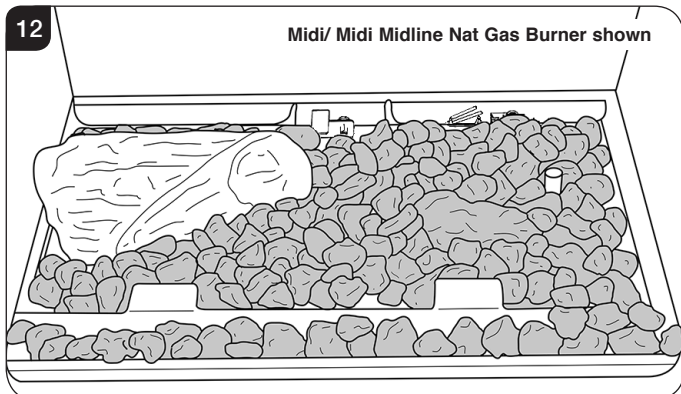


- 7.2 Place Log A in position on the 2 locating pins, see Diagram 11.

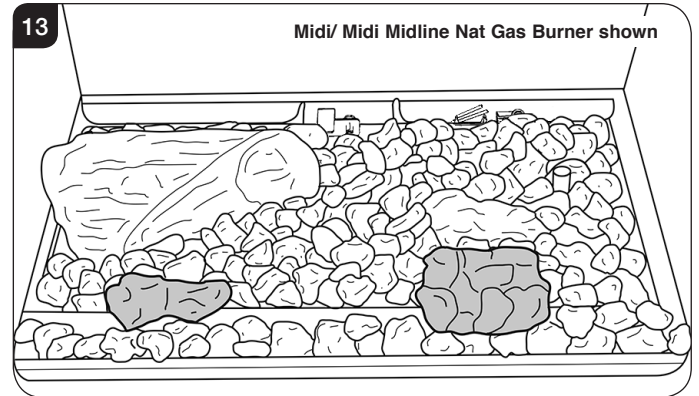


- 7.3 Spread the Lava Rock evenly over the fuel bed and around Log A, see Diagram 12.

Ensure that the fuel effect does not obstruct the pilot.

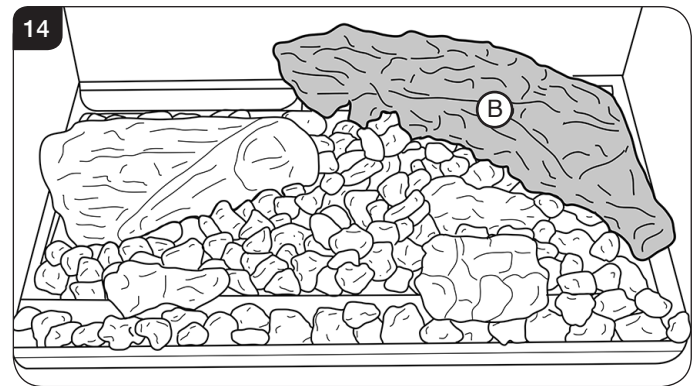


- 7.4 Position the 2 embers on the lip at the front of the fuel bed, see Diagram 13.

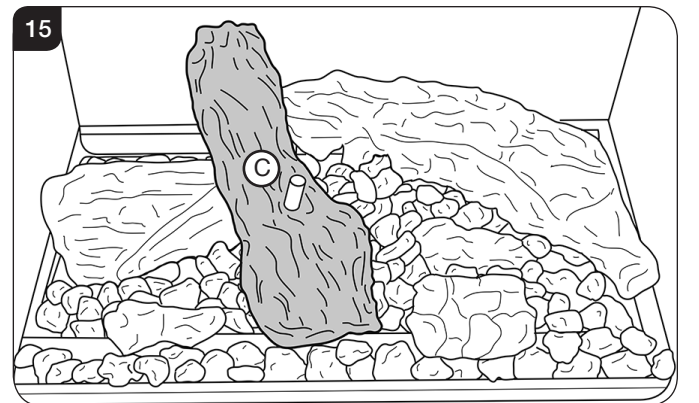


- 7.5 Log B is positioned on the right hand locating pin, and rests against the back liner, see Diagram 14.

Midi/ Midi Midline Nat Gas only: Log B also rests on the rear burner bracket.

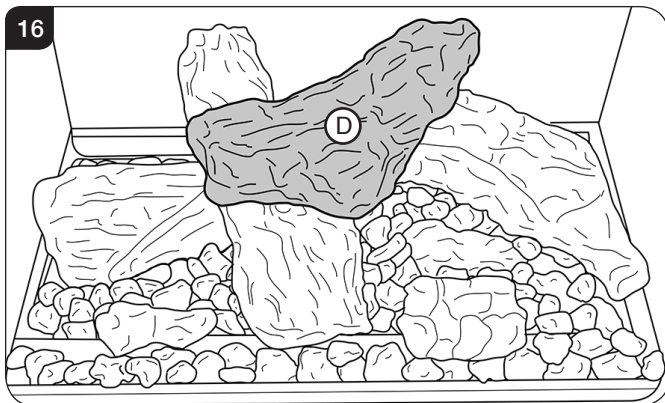


- 7.6 Log C rests on Log A and the front tray with the locating pin facing up, see Diagram 15.



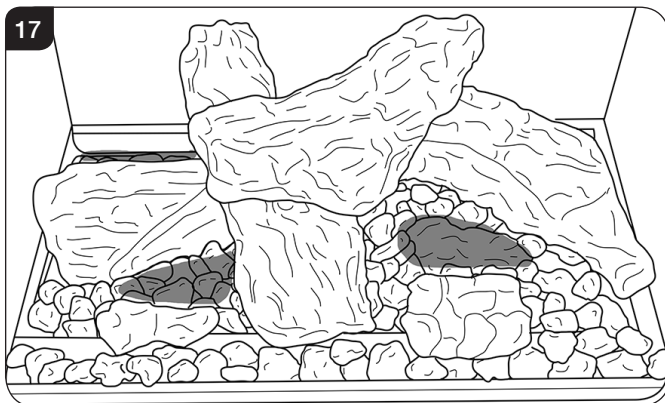
User Instructions

- 7.7 Log D fits onto the locating pin and rests on Log B, see Diagram 16.



- 7.8 Sparingly spread an amount of the Embaglow fibres provided on the sections highlighted, see Diagram 17. Take care not to use more than half a packet per application.

WARNING - DO NOT PLACE NEAR THE PILOT AREA.



8. Flue Sure System

- 8.1 The appliance is fitted with the Gazco Flue Sure System, which will act to cut off the gas supply to the burners in the event of incorrect operation of the flue. If the system acts to cut off the gas supply, this indicates that there is insufficient flue pull. If this occurs a minimum of 10 minutes should be allowed before trying to relight. Continued operation of this safety device means there may be a serious problem with the flue system. A qualified GasSafe engineer should inspect this.

DO NOT USE THE APPLIANCE UNTIL AN ENGINEER SAYS IT IS SAFE TO DO SO.

9. Flame Failure Device

- 9.1 This is a safety feature incorporated on this appliance which automatically switches off the gas supply if the pilot goes out and fails to heat the thermocouple.

IF THIS OCCURS DO NOT ATTEMPT TO RELIGHT THE APPLIANCE FOR 3 MINUTES.

10. Running In

- 10.1 During initial use of a new Gazco appliance a strong odour will be encountered as various surface coatings become hot for the first time. Although these odours are harmless it is recommended that the appliance is operated on maximum for 4 to 8 hours in order to fully burn off these coatings. After this period the odours should then disappear.

If the odours persists, please contact your installer for advice.

- 10.2 During the first few hours of burning there may be discolouration of the flames. This will also disappear after a short period of use.

11. Servicing

- 11.1 The appliance must be serviced every 12 months by a qualified GasSafe Engineer. In all correspondence always quote the Model number and the Serial number which may be found on the Commissioning Checklist (Page 3).

12. Ventilation

- 12.1 Any purpose provided ventilation should be checked periodically to ensure that it is free from obstruction.

13. Installation Details

- 13.1 Your installer should have completed the commissioning sheet at the front of this book. This records the essential installation details of the appliance. In all correspondence always quote the Model number and Serial number.

14. Hot Surfaces

- 14.1 Parts of this appliance become hot during normal use. Regard all parts of the appliance as a 'working surface', except for the access to the controls.
- 14.2 Provide a suitable fire guard to protect young children and the infirm.

Installation Instructions

Technical Specification

Covering the following models:

Model	VOGUE MIDI	VOGUE MIDI T MIDI	VOGUE MIDI MIDLINE	VOGUE MIDI T MIDLINE	VOGUE MIDI T HIGHLINE
Nat Gas	563-123	563-180	563-392	563-224	563-191
LPG	563-426	563-701	563-466	563-493	563-447

Model	Gas CAT.	Gas Type	Working Pressure	Aeration	Injector	Gas Rate m ³ /h	Input kW (Gross)		Country	
							High	Low		
Vogue Midi / Vogue Midi Midline	I ₂ H	Natural Gas (G20)	20mbar	2 x 5.5mm	360	0.590	6.2	2.9	GB, IE	
	I ₃ P	Propane (G31)	37mbar	2 x 14mm	120	0.203	5.4	2.8		
Vogue Midi T - Midi / Vogue Midi T - Midline / Vogue Midi T - Highline	I ₂ H	Natural Gas (G20)	20mbar	2 x 6mm	360	0.590	6.2	3.5		
	I ₃ P	Propane (G31)	37mbar	2 x 13mm	125	0.222	5.9	3.3		
Vogue Midi Models - Efficiency Class 2 - 76% Net										
Vogue Midi T Models - Efficiency Class 2 - 78% Net										
Flue Size TOP/REAR EXIT 127mm ø										
Gas Inlet Connection Size = 8mm ø										
Minimum Flue Specification = T250/N2/O/D/1										
Maximum Flue Temp = 240°C										

i The net efficiency of these appliances have been measured as specified in EN613:2001 and the result after conversion to gross using the appropriate factor from Table E4 of SAP 2012 is 68.5% (Vogue Midi Models) & 70.3% (Vogue Midi T Models). The test data has been certified by Kiwa Nederand BV. The gross efficiency value may be used in the UK Government's Standard Assessment Procedure (SAP) for energy rating of dwellings.

Installation Instructions

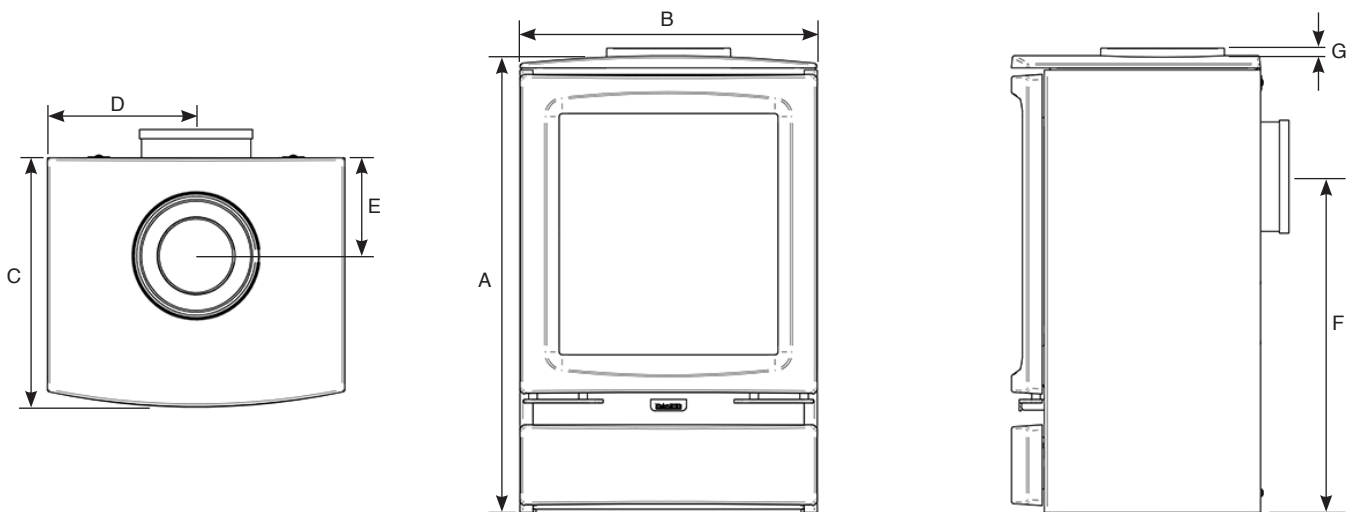
Technical Specification

This appliance has been certified for use in countries other than those stated. To install this appliance in these countries, it is essential to obtain the translated instructions and in some cases the appliance will require modification. Contact Gazco for further information.

PACKING CHECKLIST

ALL MODELS	
Qty Description	Fixing Kit containing:-
For Log Layout 1 x Log Set 1 x Packet of Embaglow	1 x Instruction Manual 2 x Panhead Screws
MIDI & MIDI MIDLINE	
	2 x Wood Screws 2 x Rawl Plugs 2 x Wingnuts 4 x Washers
MIDI T HIGHLINE	
	2 x Washers 4 x Rawl Plugs 4 x Pozi Flange Screws

Vogue Midi

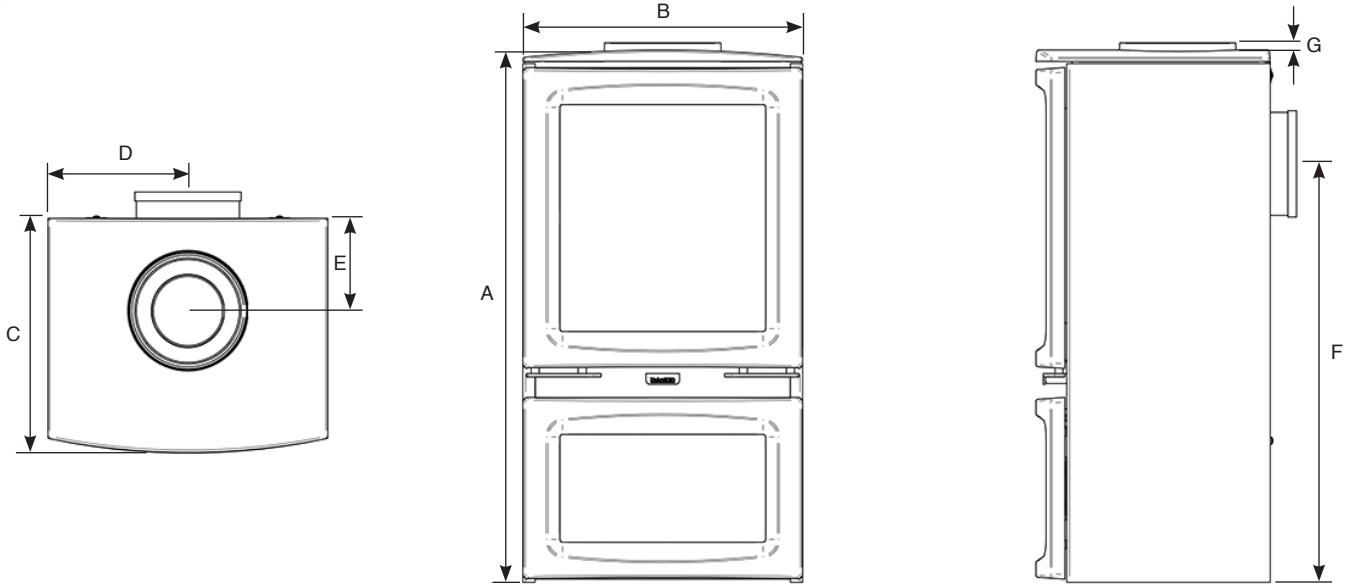


Model	A	B	C	D	E	F	G
Vogue Midi	639	416	367	208	121	478	11

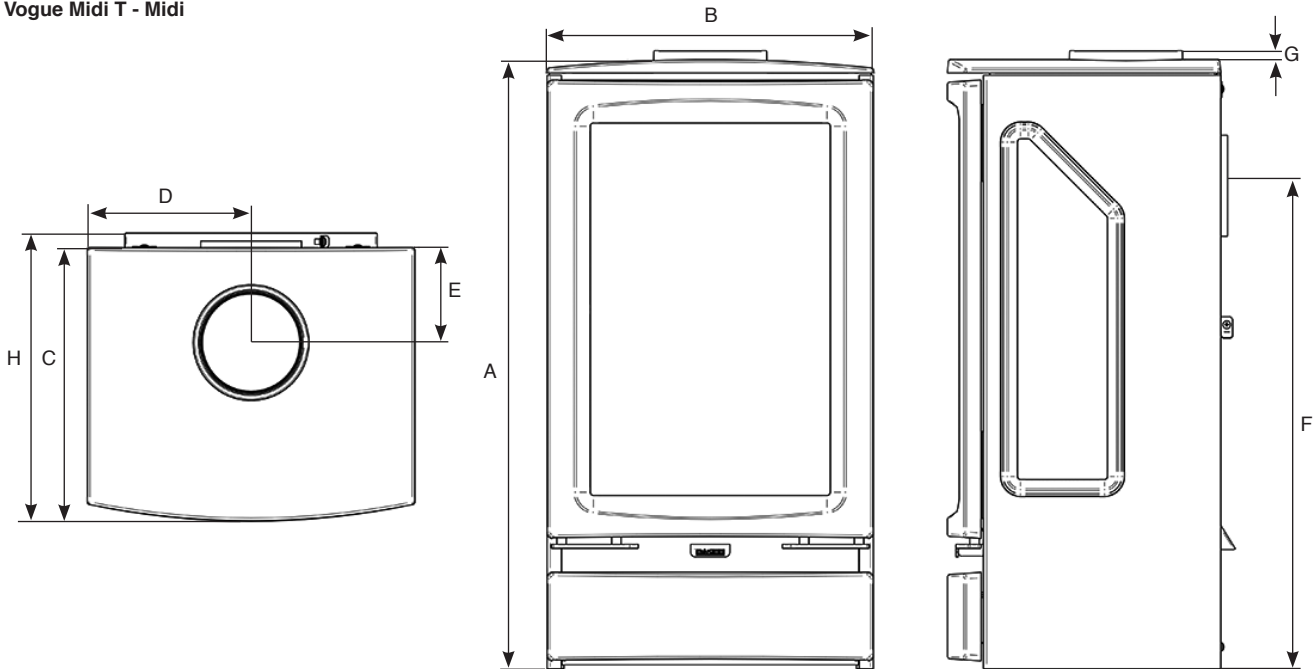
Installation Instructions

Technical Specification

Vogue Midi Midline



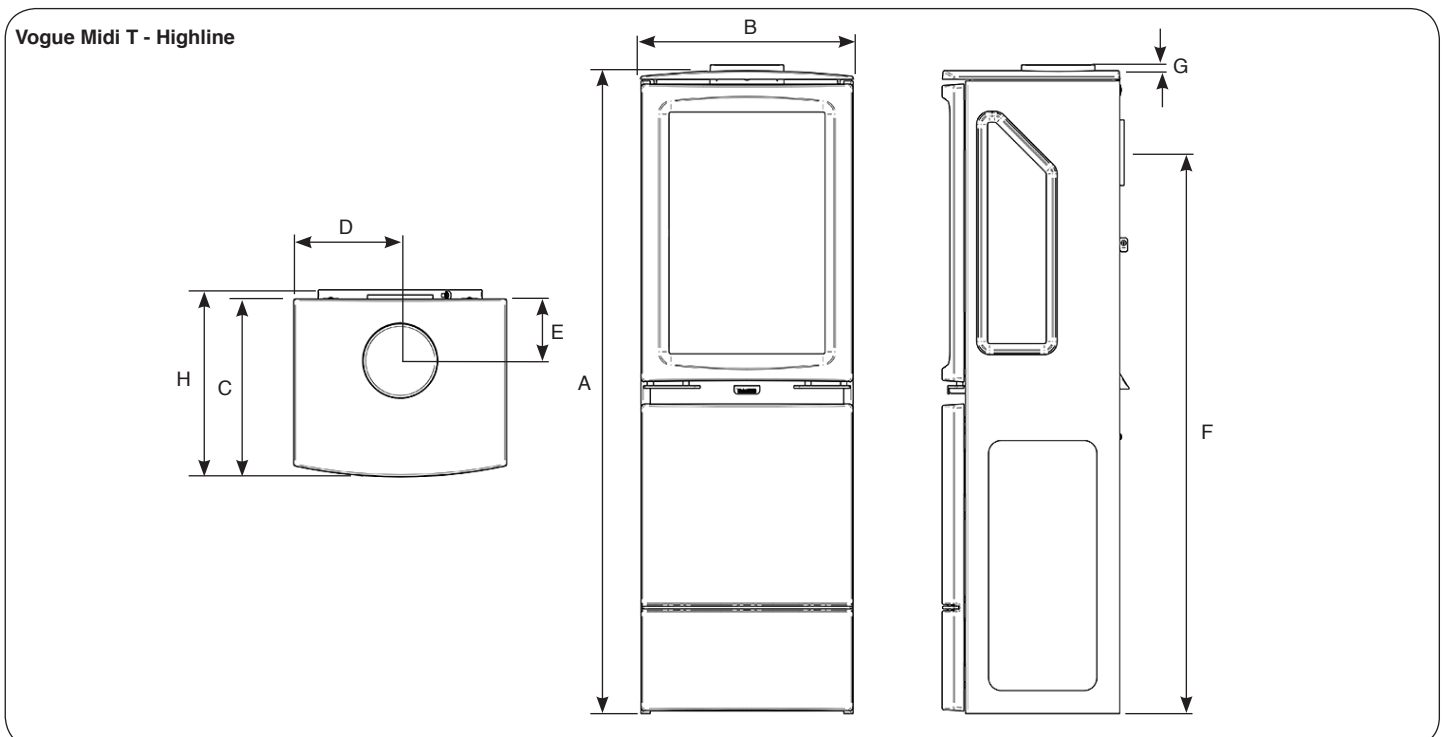
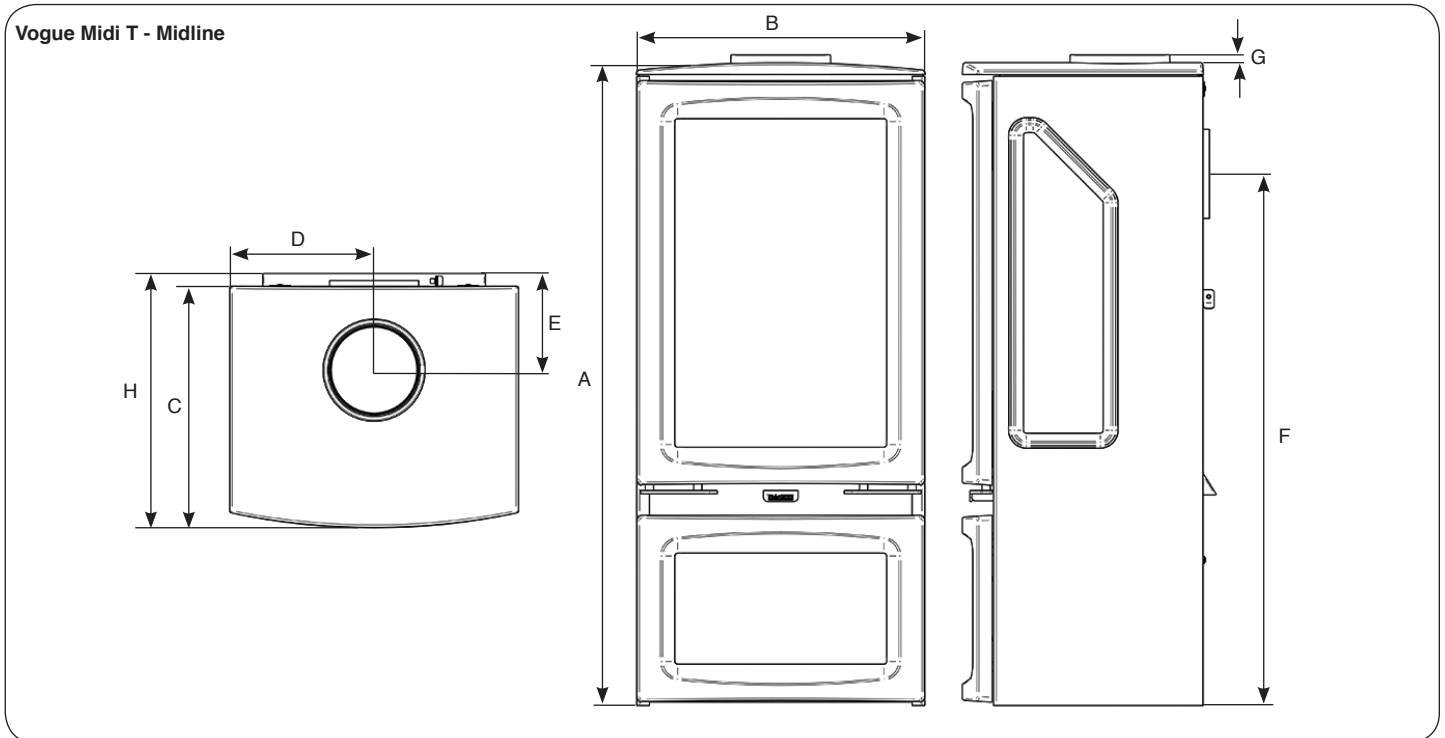
Vogue Midi T - Midi



Model	A	B	C	D	E	F	G	H
Vogue Midi Midline	791	416	367	208	121	630	11	-
Vogue Midi T - Midi	776	416	348	208	121	615	11	367

Installation Instructions

Technical Specification



Model	A	B	C	D	E	F	G	H
Vogue Midi T - Midline	928	416	348	208	121	767	11	367
Vogue Midi T - Highline	1260	416	348	208	121	1099	11	367

Installation Instructions

Site Requirements

1. Flue & Chimney Requirements

- 1.1 The chimney or flue system must comply with the rules in force, and must be a minimum of 127mm in diameter. (5").
- 1.2 The minimum flue height for the appliance must be 3 metres (10ft). Any horizontal flue run from the rear outlet must not exceed 100mm from the back of the appliance.
- 1.3 The chimney or flue must be free from any obstruction. Any damper plates must be removed or secured in the fully open position, and no restrictor plates fitted.
- 1.4 The chimney must be swept prior to the installation, but it need not be swept if it can be seen the chimney is clean and unobstructed throughout its entire length.
- 1.5 A 5" (127mm) liner must be used if fitting the appliance into an existing brick built chimney. Larger lined flues can work, but in some instances could cause cold start flue problems resulting in nuisance shutdown. Lined flues above 7" (175mm) are not recommended.
- 1.6 Due to European chimney standards, new flues and chimney's are described by their temperature, pressure and resistance to corrosion, condensation and fire. To assist in identifying the correct flue system, the minimum flue specification is shown in the Technical Specification. Existing chimneys are not covered by this system.

2. Flue Options

- 2.1 Consult the rules in force.

NOTE: This appliance does not normally require any additional ventilation when installed in GB.

A range of Vitreous Enamel Gloss Black flue pipe is available to compliment the appliance. Please contact your Gazco retailer for further information.

3. Gas Supply

This appliance is intended for use on a gas installation with a governed meter.

- 3.1 Before installation, ensure that the local distribution conditions (identification of the type of gas and pressure) and the adjustment of the appliance are compatible.
- 3.2 Ensure the gas supply delivers the required amount of gas and is in accordance with the rules in force.
- 3.3 You can use soft copper tubing on the installation and soft soldered joints outside the appliance and below the fire.
- 3.4 A factory fitted isolation device is part of the inlet connection; no further isolation device is required.
- 3.5 All supply gas pipes must be purged of any debris that may have entered prior to connection to the appliance.

- 3.6 The gas supply enters underneath the rear of the outer box.
- 3.7 The gas supply must be installed in a way that does not restrict the removal of the appliance for servicing and inspection.

4. Ventilation

IMPORTANT: Ensure any national ventilation requirements are taken into account during installation of the fire.

UK ONLY:

The appliance has a nominal input not exceeding 7.0kW and does not normally require any additional permanent ventilation.

FOR THE REPUBLIC OF IRELAND REFER TO THE RULES IN FORCE FOR VENTILATION REQUIREMENTS.

5. Appliance Location

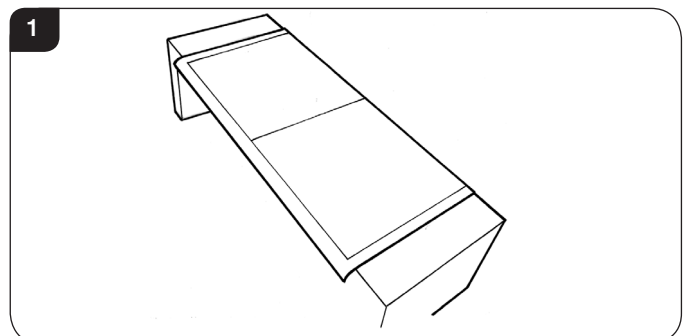


NOTE: It is not recommended to install Midline/ Highline models on a bench.

- 5.1 This appliance has been designed to stand on either a hearth or an optional bench:

Code	Bench	Width
RVACLB100B	Riva Bench Low	1000mm
RVACB100B	Riva Bench	1000mm
RVACLB120B	Riva Bench Low	1200mm
RVACB120B	Riva Bench	1200mm
RVACLB140B	Riva Bench Low	1400mm
RVACB140B	Riva Bench	1400mm

- 5.2 **To Install the Bench:**
Follow Section 1 Installation - All Models in Installation guide PM205 supplied with the bench kit.
- 5.3 To secure the appliance to the Bench:
You must consider where you place the appliance on the bench before drilling the bench, see Diagram 1.



Once the position of the appliance has been decided:
Follow the instructions for securing the appliance on Page 17.

Installation Instructions

Site Requirements

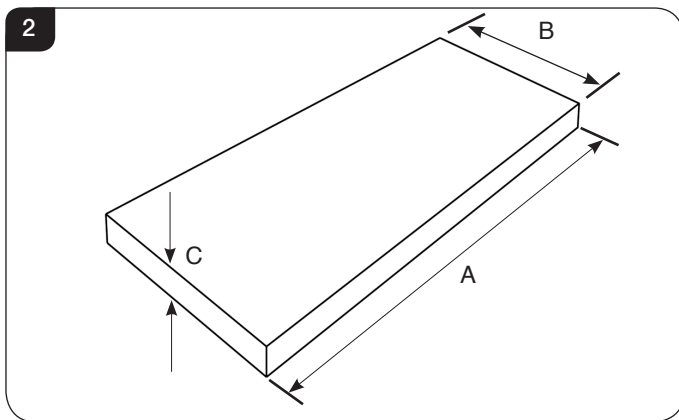
- 5.4 The non-combustible hearth must be at least 12mm thick, and project a minimum of 50mm from the base of the appliance in all directions.
- 5.5 The appliance is not suitable for installation against a combustible wall. A combustible side wall must be a minimum of 150mm (Vogue Midi / Midi Midline) or 200mm (Vogue Midi T Midi/ Midi T Midline / Midi T Highline) from the appliance.
- 5.6 This appliance can be installed with an up and out flue (vertical wall - horizontal flue) or with a vertical flue with roof termination (see **Flue Options, Section 2 Site Requirements**).



NOTE: It is not recommended to install Midline/ Highline models on a bench.

HEARTH INSTALLATION (NOT APPLICABLE FOR MIDLINE & HIGHLINE MODELS)

- 5.7 Building Regulations state this appliance must stand on a non-combustible hearth that is at least 12mm thick and projects 50mm minimum from the base of the appliance in all directions, however Gazco recommend the hearth extends to the following dimensions, see Diagram 2.



Dimensions	Vogue Midi	Vogue Midi T
A	716mm	716mm
B	498mm	467mm
C	12mm	12mm

MIDLINE & HIGHLINE MODELS

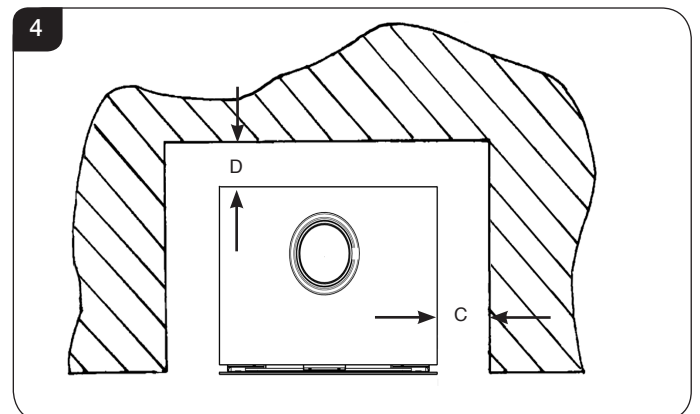
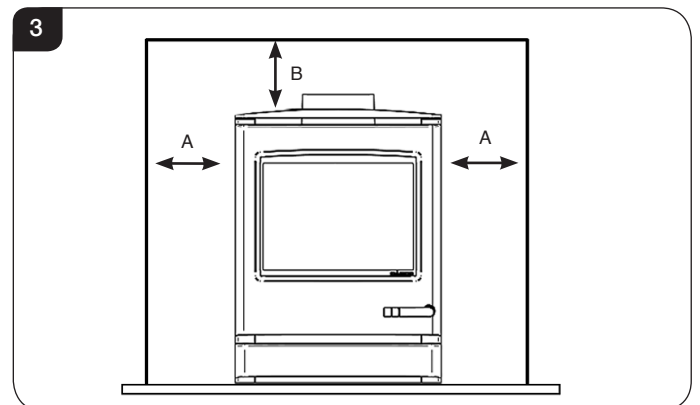
- 5.8 It is not necessary to site these products on a non-combustible floor. However, for practical reasons, the floor should be flat and solid to allow the appliance to be levelled and secured in place.
- 5.9 This appliance may be situated anywhere in the room, but due consideration should be taken to ensure that it is sited within the constraints of the allowable flue configuration.

DO NOT INSTALL APPLIANCE ON A CARPET.

MINIMUM CLEARANCE

- 5.10 The appliance is not suitable for installation against a combustible wall.
- 5.11 **Ensure that all minimum clearances to combustible materials are complied with as shown in Diagrams 3 & 4.**

The specified clearances provide the minimum distance to combustible materials. If the appliance is intended to be installed into a non-combustible opening the clearance to the **sides and above** the appliance can be reduced. However, it is recommended that the specified clearances are maintained irrespective of the materials used in the construction of the opening to allow adequate air flow and access to controls. **The clearance at the rear of the appliance must always be a minimum of 50mm.**



Dimension	Vogue Midi / Vogue Midi Midline	Vogue Midi T Midi/ Vogue Midi T Midline/ Vogue Midi T Highline
A	150	200
B	225	225
C	150	200
D	50	50

- 5.12 The above dimensions provide adequate clearance to combustible materials. It may be necessary to add additional clearance so that spillage tests can be performed when necessary.

Installation Instructions

1. Safety Precautions

- 1.1 For your own and other's safety, you must install this appliance according to local and national codes of practice. Failure to install the appliance correctly could lead to prosecution. **Read these instructions before installing and using this appliance.**
- 1.2 These instructions must be left intact with the user.
- 1.3 Do not attempt to burn rubbish on this appliance.
- 1.4 Keep all plastic bags away from young children.
- 1.5 Do not place any object on or near to the appliance and allow adequate clearance above the appliance.

IF THE APPLIANCE IS EXTINGUISHED OR GOES OUT IN USE, WAIT 3 MINUTES BEFORE ATTEMPTING TO RELIGHT THE APPLIANCE.



IMPORTANT: REFER TO DATA BADGE AND TECHNICAL SPECIFICATION AT THE FRONT OF THE MANUAL TO ENSURE THE APPLIANCE IS CORRECTLY ADJUSTED FOR THE GAS TYPE AND CATEGORY APPLICABLE IN THE COUNTRY OF USE.

FOR DETAILS OF CHANGING BETWEEN GAS TYPES REFER TO SERVICING, SECTION 16, REPLACING PARTS.

Unpacking

- 1.6 Remove the appliance from its packaging, and check that it is complete and undamaged.
- 1.7 The cast plate is stored on top of the appliance. Remove and store in a safe place.

Put the loose ceramic parts to one side so that they are not damaged during installation.

2. Upgrading the Appliance

- 2.1 The appliance is fitted with a control valve that can easily be upgraded to battery powered remote control. There are two versions of this control which can be obtained through your local Gazco stockist. There is no requirement for this upgrade to be carried out by an approved Gas engineer. However Gazco recommend that this task is undertaken by a suitably competent person.
- 2.2 This upgrade can be fitted before or after installation but if side clearances are limited then it will be easier to upgrade the appliance before installation. Full instructions are included with the kit.



If the appliance is left unattended for long periods of time (e.g. vacation), it is recommended to place the control valve in the Off or Pilot position.

Take care when leaving the appliance unattended, in exceptional circumstances sound waves from sources other than the transmitter can cause changes in the flame height adjustment.

DO NOT install two or more appliances using upgradeable controls in the same room, interference between the remote control frequencies can occur.

Standard Remote Control (PART NUMBER 8455)

- 2.3 This remote control can control the gas appliance after the pilot has been lit. It can turn the main burner on and regulate it from low through to high and back again. It can turn the main burner off leaving the pilot burning.

Thermostatic and Timer Remote Control (PART NUMBER 8456)

- 2.4 This remote control can control the gas appliance after the pilot has been lit.

MANUAL MODE

Can be used to turn the main burner on and manually regulate it from low through to high and back again. It can also be used to turn the main burner off leaving the pilot burning.

AUTO MODE

Will automatically regulate the room to a pre-set temperature.

TIMER MODE

Will turn the appliance on and off according to a pre-set programme and automatically regulate the room temperature during the two on periods.

Installation Instructions

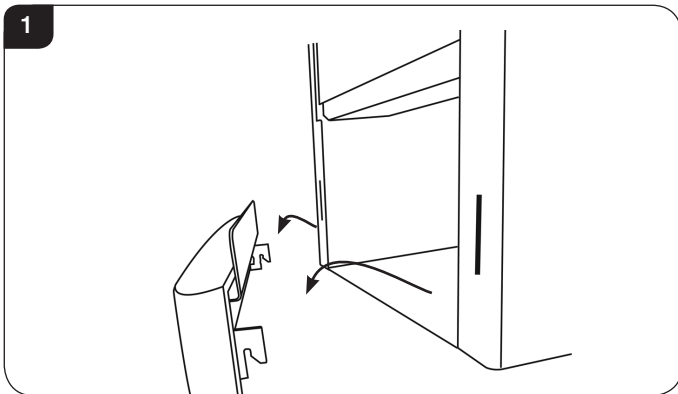
3. Installation of the Appliance



IMPORTANT: THE OUTER PANNELLING OF THE VOGUE MIDI IS MADE FROM CAST IRON. USE CAUTION WHEN INSTALLING, REMOVING AND STORING AS THE COMPONENTS ARE HEAVY AND SHOULD BE HANDLED CAREFULLY.

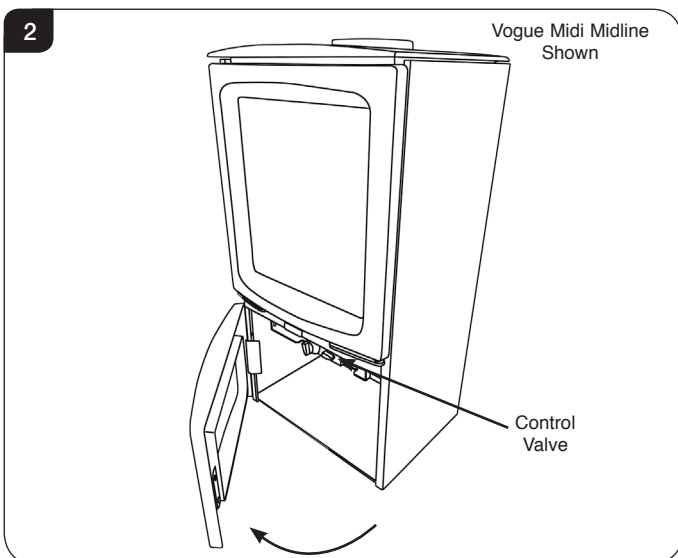
Vogue Midi Models

- 3.1 Remove the plinth to access the controls by lifting the hooks clear of the slots on the front of the appliance, see Diagram 1.



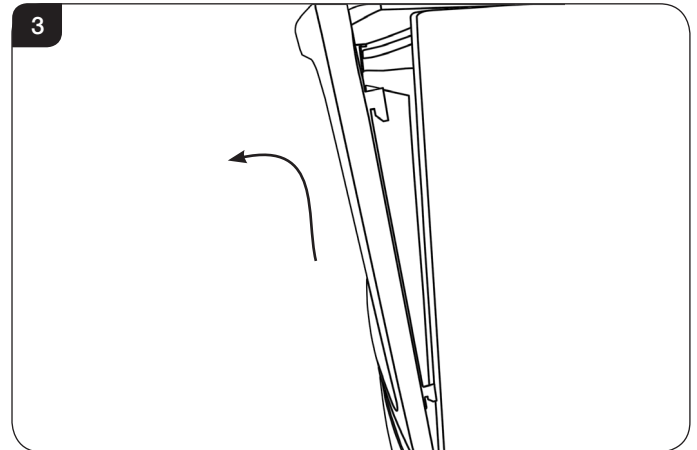
Vogue Midi Midline & Highline Models

- 3.2 Pull the lower door open from the right hand side to access the controls, see Diagram 2.



All Models

- 3.3 Remove the frame to gain complete access to the control valve and the viewing aperture by lifting the hooks clear of the slots on the front of the appliance, see Diagram 3.

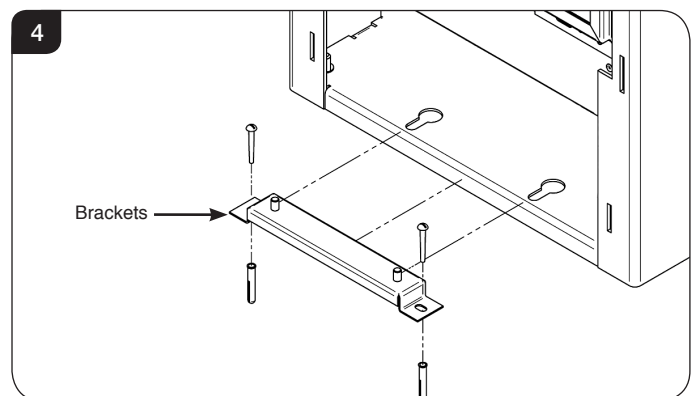


Securing the Appliance to the Hearth

Vogue Midi & Vogue Midi T- Midi

The appliance sits on a mounting bracket to secure it in place to either the hearth or bench.

- 3.4 Position the appliance: Loosely attach the bracket to the appliance and place centrally on the hearth OR in the desired position on the bench. Remove the appliance leaving the bracket in the correct position and mark the holes to drill the bracket screws, see Diagram 4.

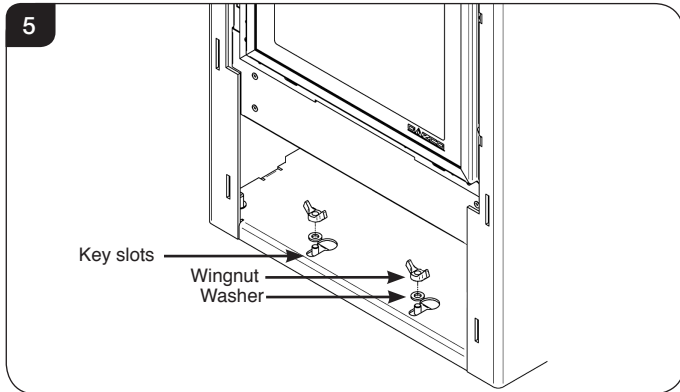


- 3.5 Remove the bracket and drill the guide holes.
3.6 Fix the bracket either to the hearth or the bench, see Diagram 4.

NOTE: Use the wood screws and rawl plugs in the fixing kit supplied for hearth mounting installations and the coach bolts supplied with the bench for installation onto a bench.

Installation Instructions

- 3.7 Lift the appliance so as to locate the key slots in the carcass onto the fixing screws. There are two large holes the lower flanges on the front edges of the base, see Diagram 5.

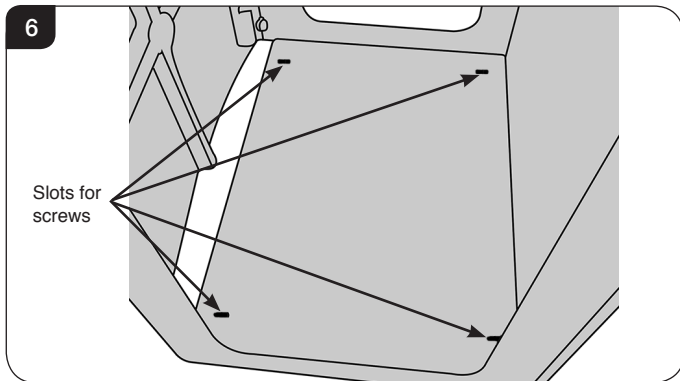


- 3.8 Place the 2 large washers over the studs and fix with 2 wingnuts, see Diagram 5.

Vogue Midi T - Highline

The appliance has four slot in the base plate to secure in place with the screws provided.

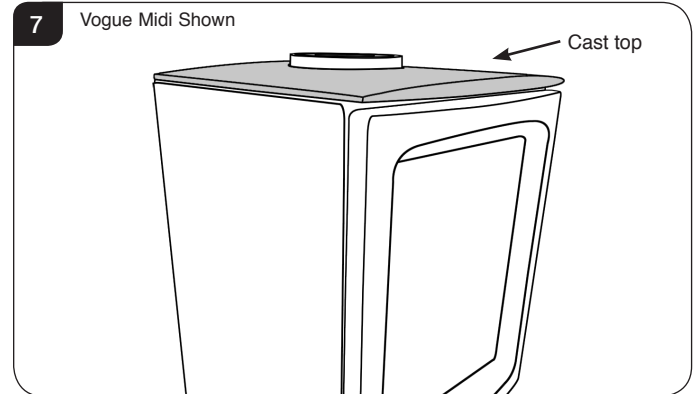
- 3.9 Position the appliance and mark the holes to drill for the screws, see Diagram 6.



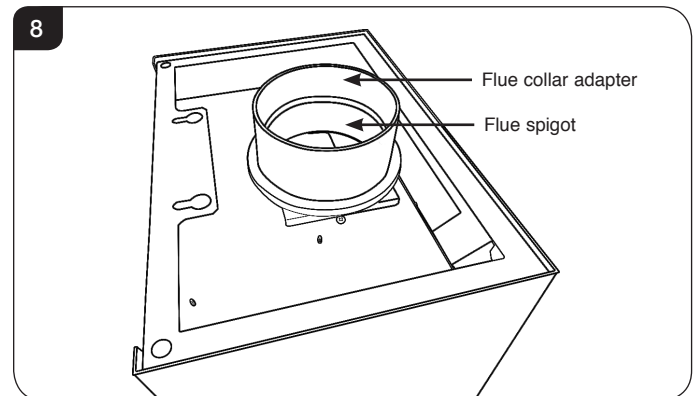
- 3.10 Remove the appliance and drill the guide holes.
3.11 Insert the rawl plugs into the guide holes.
3.12 Reposition the appliance and use the wood screws in the fixing kit supplied for hearth mounting installations to secure in place.

4. Top or Rear Exit

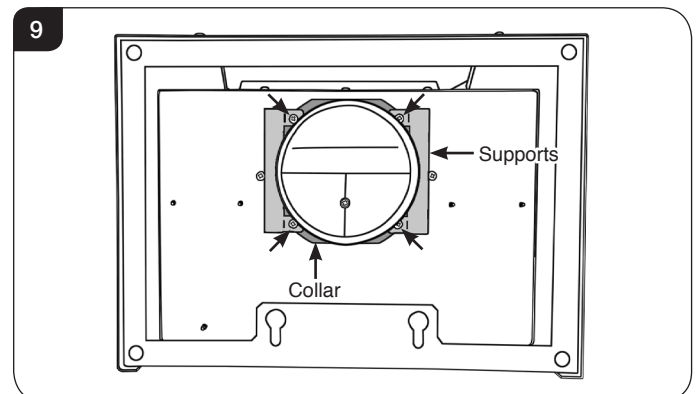
- 4.1 Before locating the appliance choose the correct flue outlet position.
4.2 The appliance is supplied as a top exit configuration. To switch outlets remove the cast top plate, see Diagram 7.



- 4.3 Lift off the flue collar adapter and spigot, see Diagram 8.

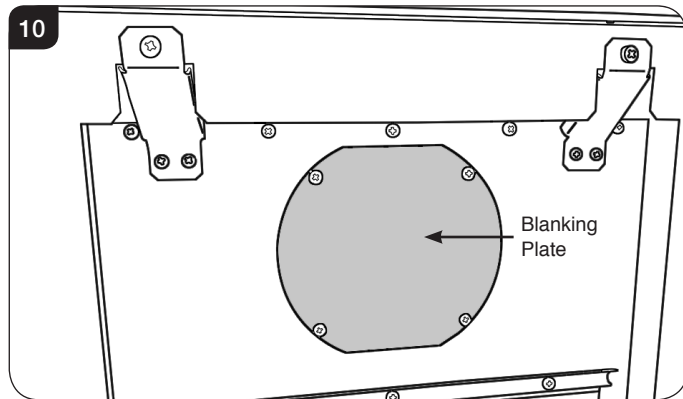


- 4.4 Remove the flue collar adapter supports and the flue spigot by removing the 4 screws, see Diagram 9.

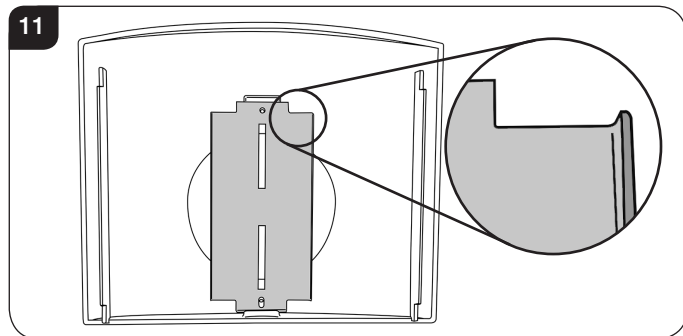


Installation Instructions

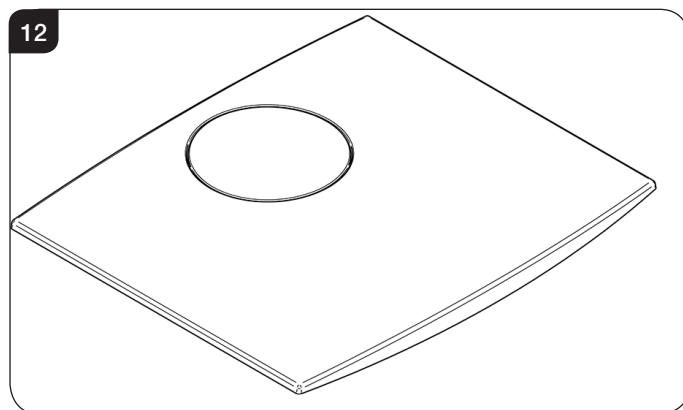
- 4.5 Swap the flue spigot **only** with the Blanking Plate on the rear of the appliance, see Diagram 10.



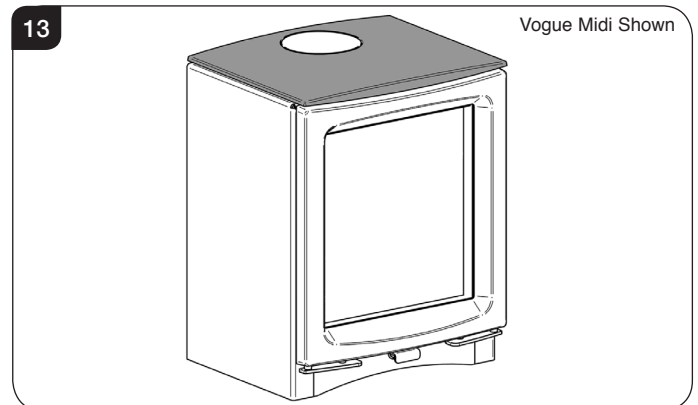
- 4.6 Attach the decorative flue blanking plate support bracket to the underside of the cast top using the screws provided. Ensure the folded return is pressed against the cast top, see Diagram 11.



- 4.7 Sit the decorative flue blanking plate in position, see Diagram 12.



- 4.8 Replace the cast top. When fitted properly the cast plate should sit flush with the rear of the stove, see Diagram 13.

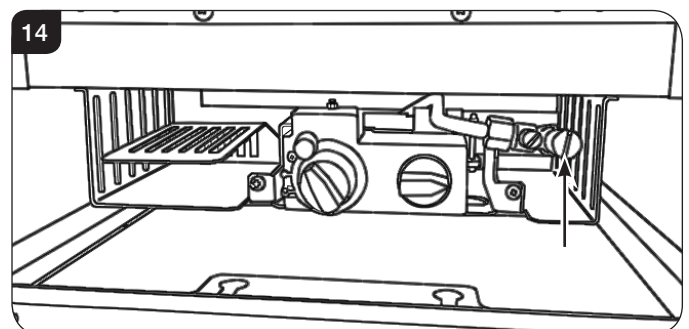


5. Gas Soundness Pressure Check

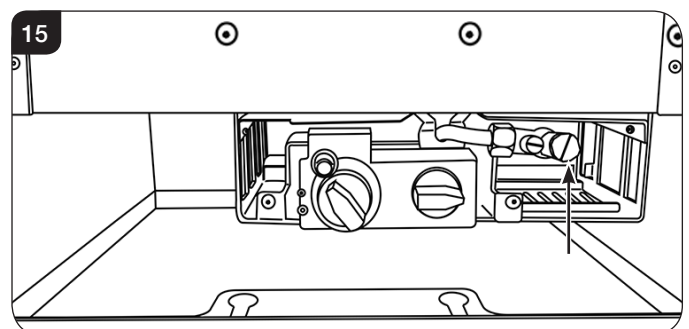
This is essential to expel any debris that may block the gas controls.

- 5.1 Connect the gas to the 8mm elbow on the rear of the appliance, see Diagram 14 & 15.

Vogue Midi & Midline



Vogue Midi T - Midi, Midline & Highline



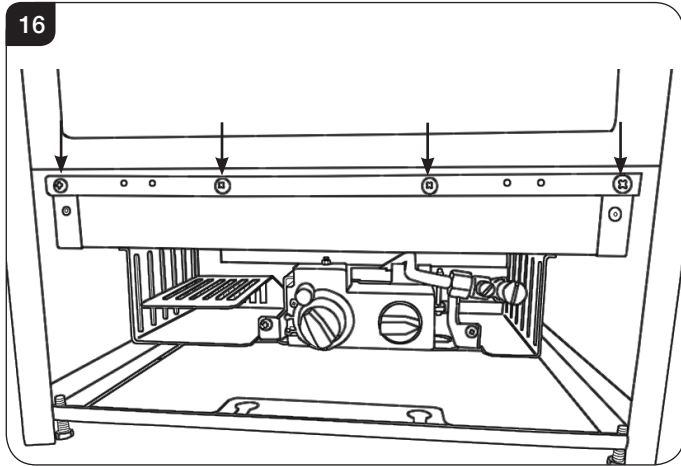
- 5.2 Connect a suitable pressure gauge to the test point located on the inlet fitting and turn the gas supply on. Light the appliance and check all gas joints for possible leaks. Turn the appliance to maximum and check that the supply pressure is as stated on the databadge. Turn the gas off and replace the test point screw, turn the gas on and check the test point for leaks.

Installation Instructions

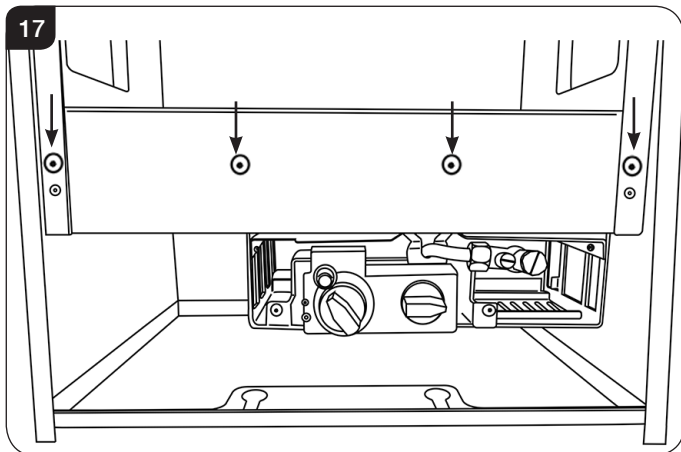
6. Removing the Glass

- 6.1 Using a screwdriver remove the 4 screws securing the window panel to the appliance, see Diagrams 16 & 17. Take care to support the glass when removing the screws.

Vogue Midi & Midline

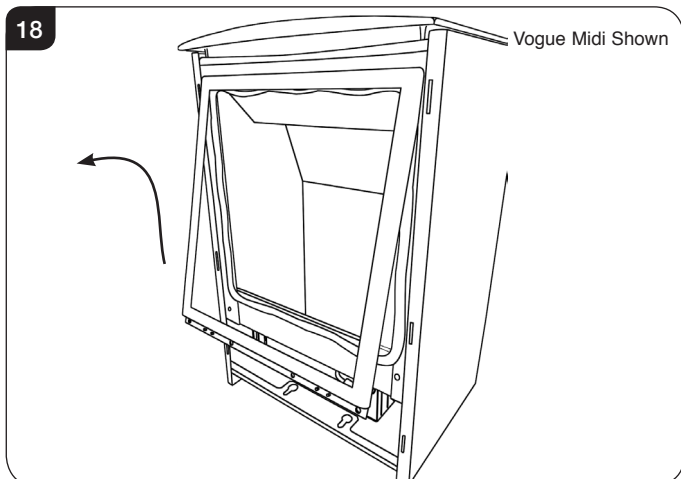


Vogue Midi T - Midi, Midline & Highline



All Models

- 6.2 The frame can be removed by lifting the hooks clear of the slots from the bottom of the frame and lifting away from the appliance, see Diagram 18.



7. Arrangement of Fuel Bed

Advice on handling and disposal of fire ceramics



The fuel effect in this appliance are made from Refractory Ceramic Fibre (RCF), a material which is commonly used for this application.

Protective clothing is not required when handling these articles, but we recommend you follow normal hygiene rules of not smoking, eating or drinking in the work area and always wash your hands before eating or drinking.

To ensure that the release of RCF fibres are kept to a minimum, during installation and servicing a HEPA filtered vacuum is recommended to remove any dust accumulated in and around the appliance before and after working on it. When servicing the appliance it is recommended that the replaced items are not broken up, but are sealed within heavy duty polythene bags and labelled as RCF waste.

RCF waste is classed as stable, non-reactive hazardous waste and may be disposed of at a licensed landfill site.

Excessive exposure to these materials may cause temporary irritation to eyes, skin and respiratory tract; wash hands thoroughly after handling the material.

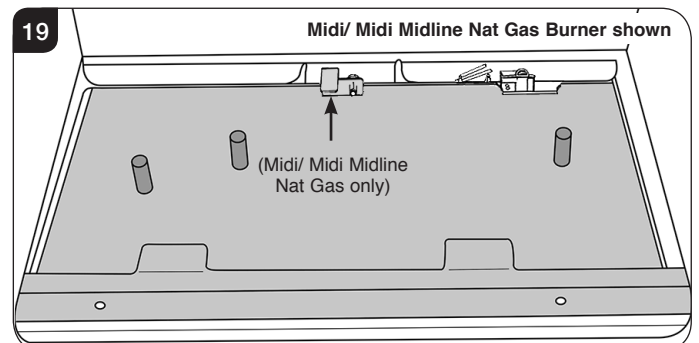
8. Log Layout

LOGS MUST BE POSITIONED ACCORDING TO THE FOLLOWING INSTRUCTIONS TO GIVE THE CORRECT FLAME EFFECT.

All logs can be identified by a letter (A - D) on their underside. Logs A and B have holes to locate each onto a burner stud.

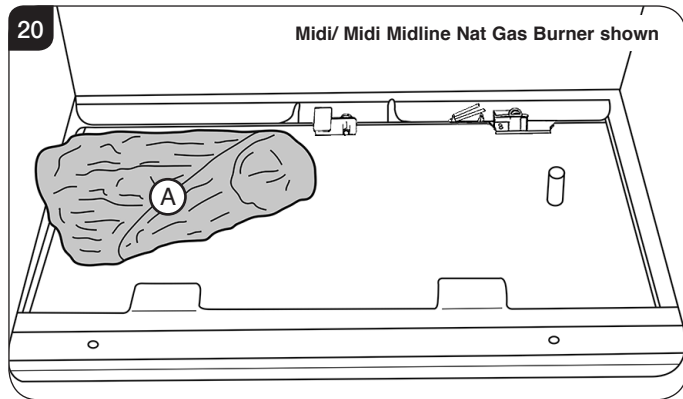
- 8.1 Ensure the burner tray is clean and free from any debris, see Diagram 19.

Note: The burner trays are visually different, depending on the model, but the log layouts are the same.



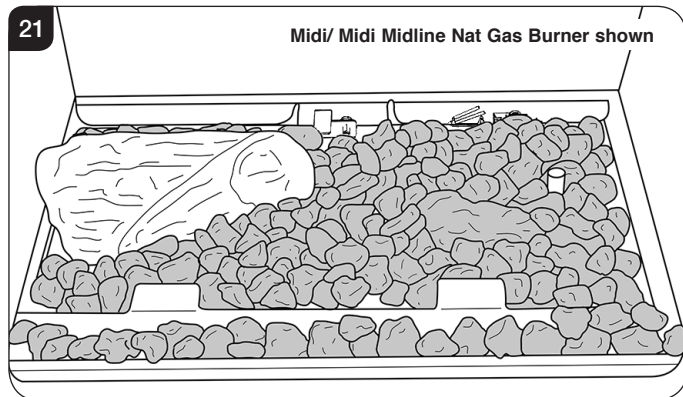
Installation Instructions

- 8.2 Place Log A in position on the 2 locating pins, see Diagram 20.

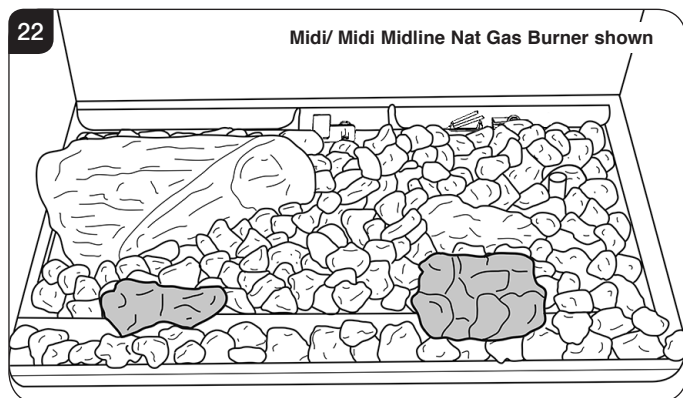


- 8.3 Spread the Lava Rock evenly over the fuel bed and around Log A, see Diagram 21.

Ensure that the fuel effect does not obstruct the pilot.

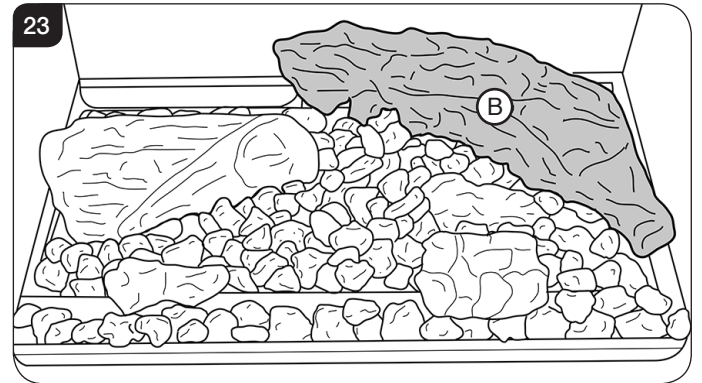


- 8.4 Position the 2 embers on the lip at the front of the fuel bed, see Diagram 22.

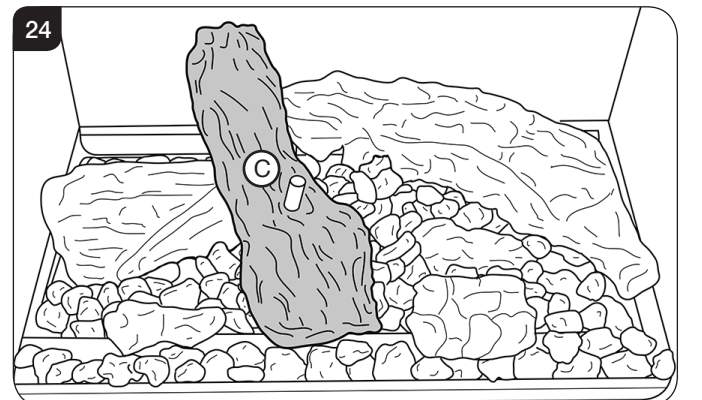


- 8.5 Log B is positioned on the right hand locating pin, and rests against the back liner, see Diagram 23.

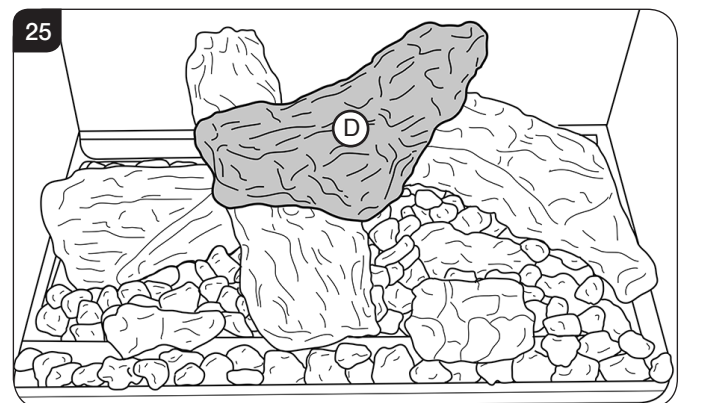
Midi/ Midi Midline Nat Gas only: Log B also rests on the rear burner bracket.



- 8.6 Log C rests on Log A and the front tray with the locating pin facing up, see Diagram 24.



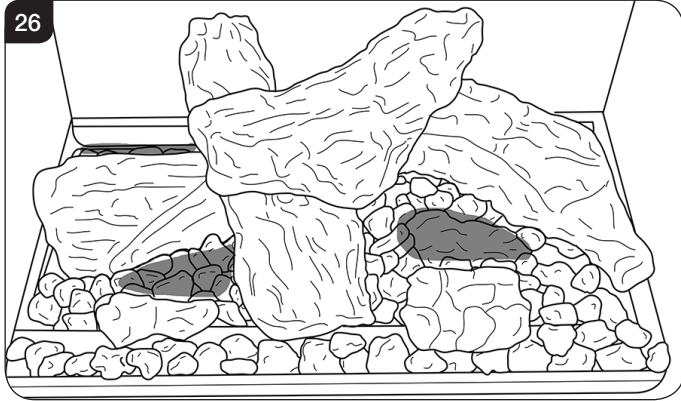
- 8.7 Log D fits onto the locating pin and rests on Log B, see Diagram 25.



Installation Instructions

- 8.8 Sparingly spread an amount of the Embaglow fibres provided on the sections highlighted, see Diagram 26. Take care not to use more than half a packet per application.

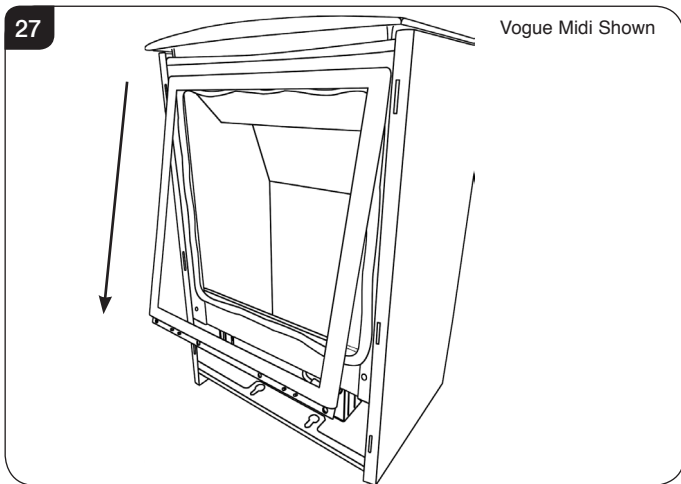
WARNING - DO NOT PLACE NEAR THE PILOT AREA.



9. Completion of Assembly

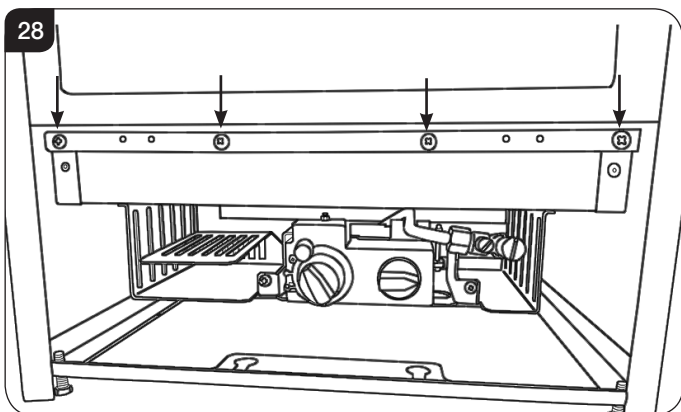
- 9.1 To fit the window frame:

Offer the top of the frame to the opening and lower to engage hooks.

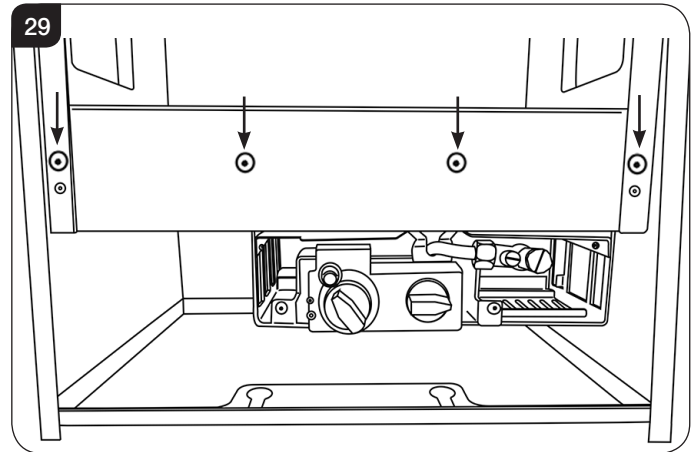


- 9.2 Replace ALL of the glass frame securing screws ensuring that a screw is present in all fixing slots, see Diagrams 28 & 29.

Vogue Midi & Midline



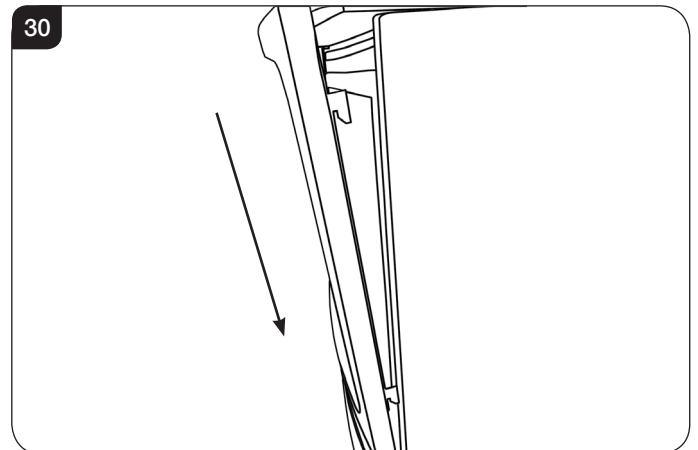
Vogue Midi T - Midi, Midline & Highline



UNDER NO CIRCUMSTANCES SHOULD THE APPLIANCE BE USED IF ANY OF THE GLASS FRAME RETAINING SCREWS ARE LOOSE OR MISSING.

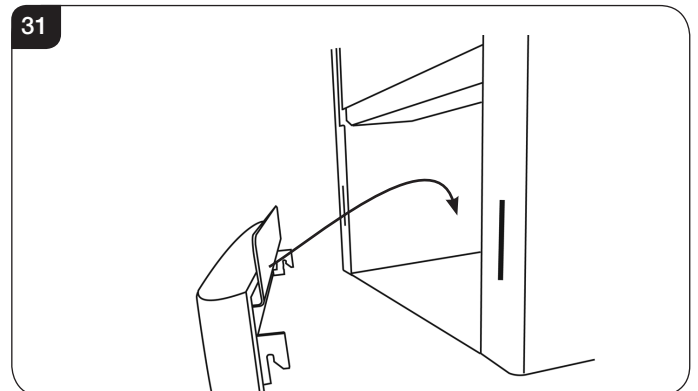
All Models

- 9.3 Fit the front by inserting the hooks on the back of the frame into the slots on the front of the appliance, see Diagram 30.



Vogue Midi Models

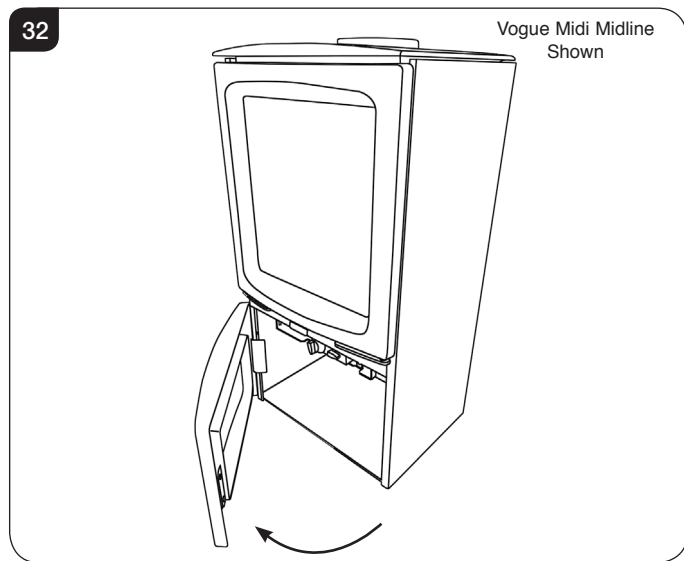
- 9.4 Fit the plinth by inserting the hooks on the back of the frame into the slots on the front of the appliance, see Diagram 31.



Vogue Midi Midline & Highline Models

Installation Instructions

9.5 Push the lower door closed, see Diagram 32.



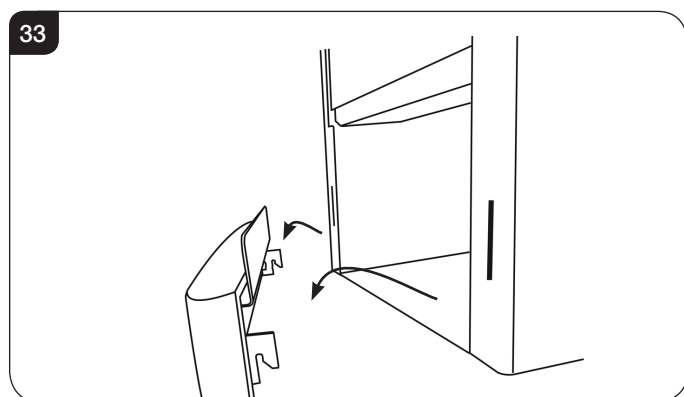
10. Operating the Appliance

The method used to access the control valve differs between models.

Vogue Midi Models

The control valve is located behind the plinth.

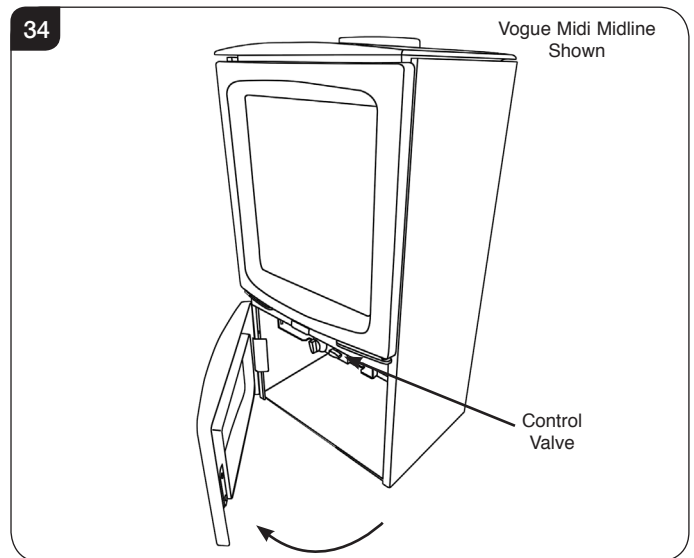
10.1 Remove the plinth to access the controls by lifting the hooks clear of the slots on the front of the appliance, see Diagram 33.



Vogue Midi Midline & Highline Models

The control valve is located behind the lower door.

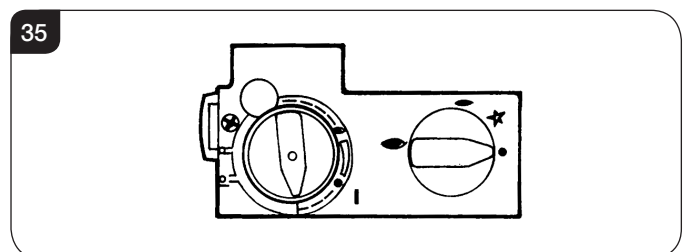
10.2 Pull the lower door open from the right hand side to access the controls, see Diagram 34.



All Models

The valve has two controls, see Diagram 35.

1. The right-hand knob controls the pilot ignition.
2. The left-hand knob controls the main burner.



10.3 Refer to separate instructions if your appliance is upgraded to include battery remote control. The instructions below apply whether or not you have the remote upgrade.

Lighting the Pilot

10.4 To start the left-hand and right-hand control knobs must both point to off (●):

10.5 Press in the right-hand control knob and rotate anti-clockwise until a click is heard. Continue to press in. The knob points to the pilot (★).

The pilot is lit.

10.6 Keep the knob depressed for 10 seconds before releasing.

Installation Instructions/Commissioning

The pilot remains lit.

Repeat the above steps if the pilot does not stay lit.

NOTE: If the pilot goes out, the Interlock system prevents you lighting again for a short period.

- 10.7 If, after repeating the above steps the pilot does not light, contact your Retailer or Installer.
- 10.8 Turn the right-hand knob to the left to main burner setting (☞).

Adjusting the Flame height

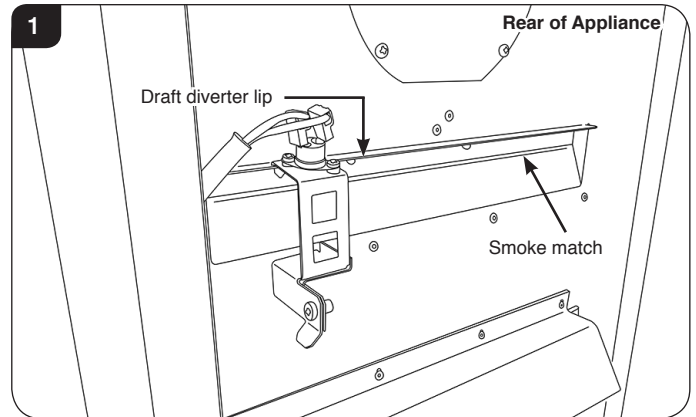
- 10.9 You can now adjust the flame height and temperature using the left-hand control knob.
- 10.10 Turn the left-hand knob anti-clockwise to increase the flame height.
- 10.11 Turn clockwise to decrease the height.

i **IMPORTANT: YELLOW FLAMES TYPICALLY APPEAR WHEN THE APPLIANCE HAS REACHED NORMAL OPERATING TEMPERATURE. THIS CAN TAKE UP TO 30 MINUTES.**

! **WARNING: IF THE APPLIANCE FAILS TO LIGHT OR BECOMES EXTINGUISHED IN USE, WAIT 3 MINUTES BEFORE ATTEMPTING TO RELIGHT.**

1. Commissioning

- 1.1 Close all doors and windows in the room.
- 1.2 Ignite the appliance and operate on maximum for 10 minutes.
- 1.3 Position a lighted smoke match just inside the draught diverter opening at the rear of the appliance.
- 1.4 Check all smoke is drawn into the opening, see Diagram 1.



- 1.5 If there is any doubt, run the appliance for a further 10 minutes, and repeat the test.
- 1.6 If there are any extractor fans in adjacent rooms, the test must be repeated with the fans running on maximum and interconnecting doors open.

IF SPILLAGE PERSISTS, DISCONNECT THE APPLIANCE AND SEEK EXPERT ADVICE.

- 1.7 Complete the Commissioning Checklist at the front of this manual covering:
- Thermocouple soundness checks.
This is to include ensuring the thermocouple is secure on the pilot bracket assembly, lead connection and integrity.
 - Flue checks
 - Gas checks
 - Log layout - flame picture
- 1.8 Upon completion of the commissioning and testing of the installation and correct operation of the appliance, the installer must instruct the user how to operate the appliance.
- 1.9 Guide the user through the User Instructions paying particular attention to:
- a) Regular servicing (Section 11 of the User Instructions).
 - b) Ventilation (Section 12 of the User Instructions) - point out the ventilation positions where applicable.
 - c) Hot surfaces (Section 14 of the User Instructions).

Servicing Instructions

Servicing/Fault Finding Charts

1. Servicing Requirements

IMPORTANT – The glass panel on this appliance should be checked for any signs of damage on the front face of the glass panel (scratches, scores, cracks or other surface defects). If damage is observed, the glass panel must be replaced and the appliance must not be used until a replacement is installed. Under no circumstances should the appliance be used if any damage is observed. Please isolate the appliance until a replacement glass panel has been obtained and installed. Replacement glass panels can be purchased from Gazco via the retailer from which the appliance was purchased or any other Gazco distributor.

This appliance must be serviced at least once a year by a competent person.

All tests must be carried out in accordance with the current GasSafe recommendations.

1.1 Before Testing:

- Conduct a gas soundness test for the property ensuring there are no leaks before servicing.
- Check the operation of the appliance before testing.

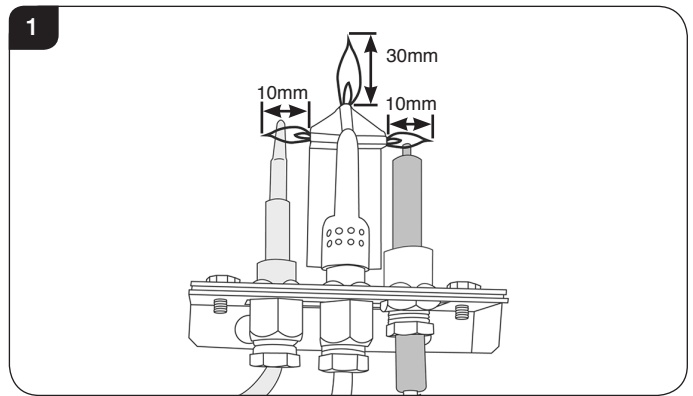
1.2 Special checks:

- Clean the burner using a vacuum cleaner with a soft brush attachment. Ensure all debris is removed from the burner ports.
- Clean away lint or fluff from the pilot.
- Clean away lint or fluff from under the burner.
- Check the spark gap on the pilot is correct, see Diagram 1.
- Ensure that the glass frame is secured correctly and that all retaining screws are in place.

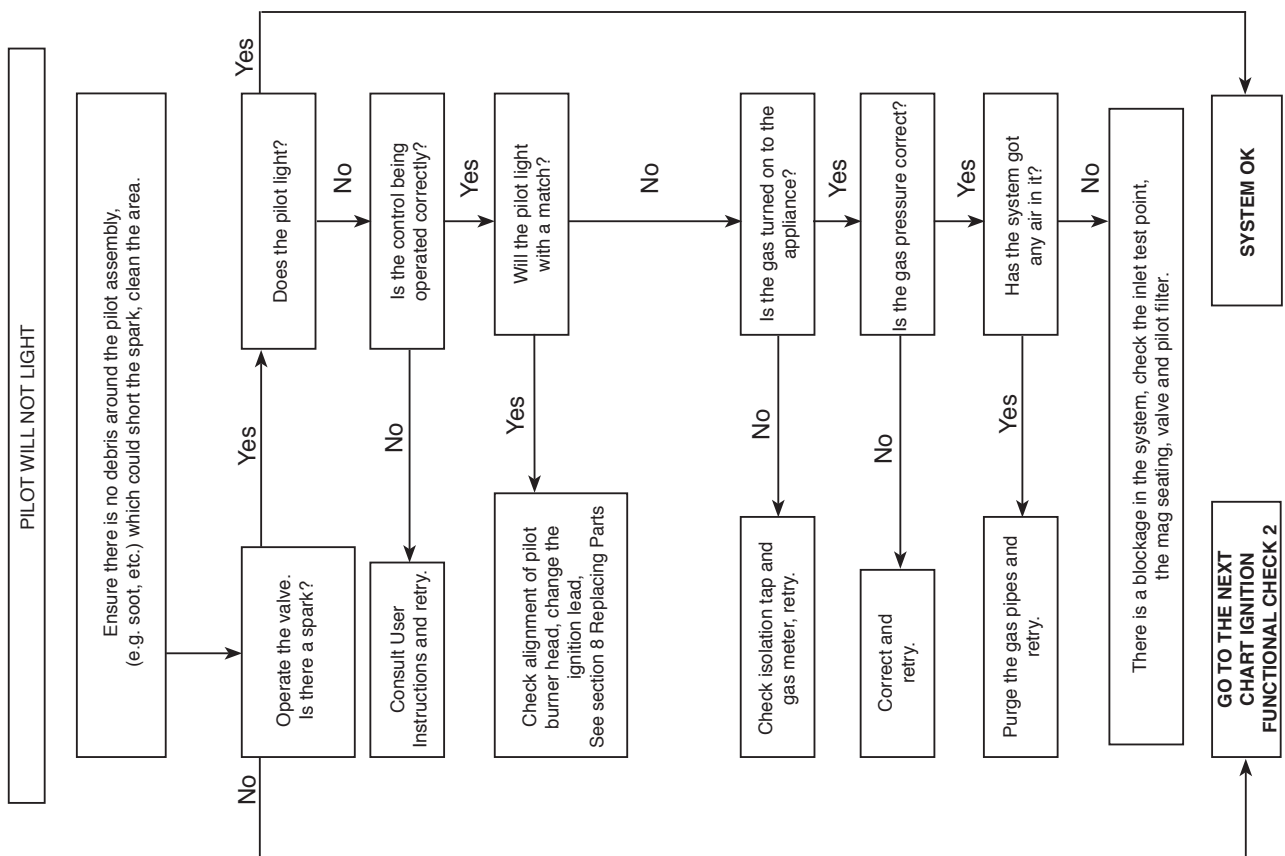
1.3 Correct any faults found during the initial test.

1.4 Re-commission the appliance in accordance with Commissioning Procedures.

1.5 Advise the customer of any remedial work undertaken.



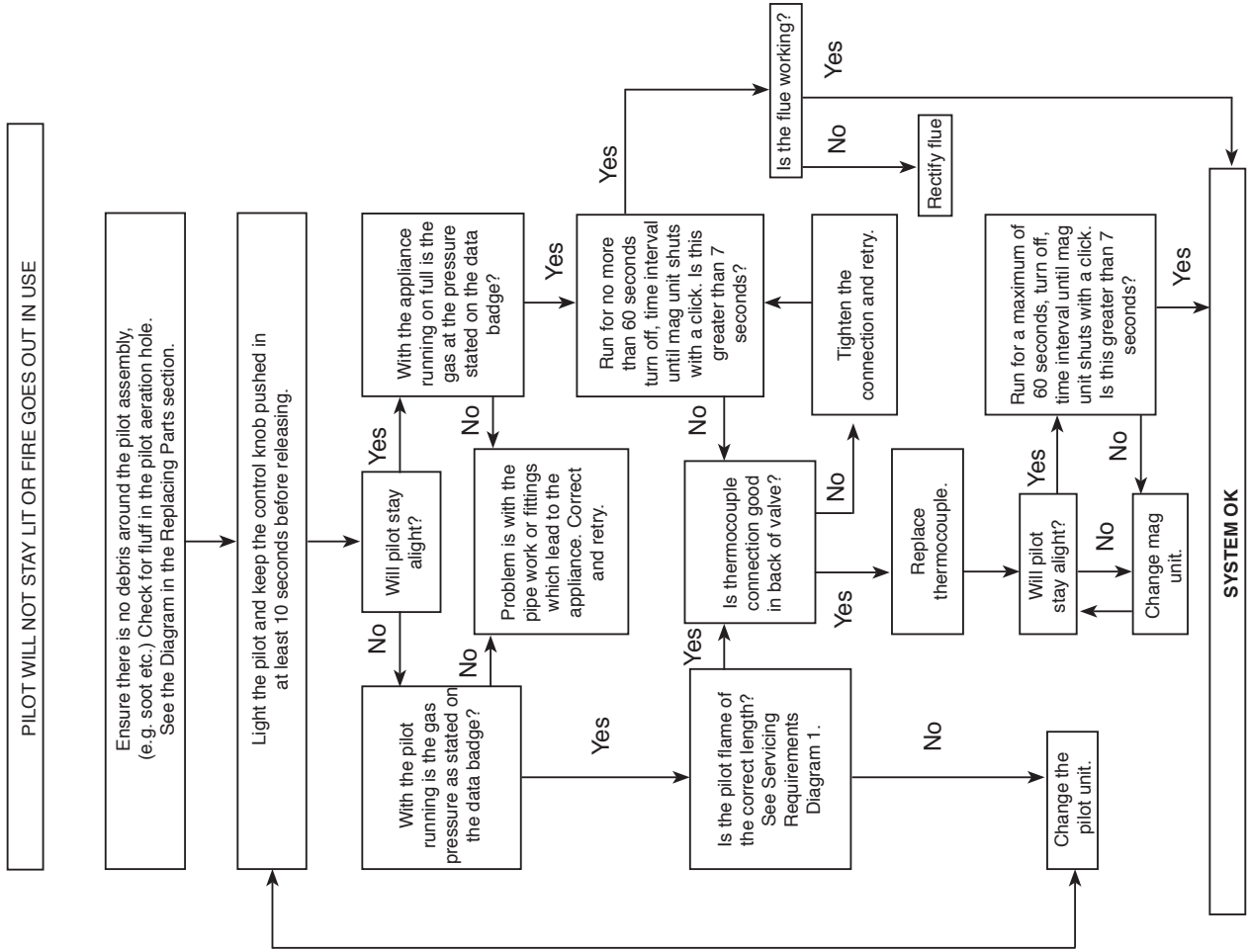
IGNITION FUNCTIONAL CHECK 1



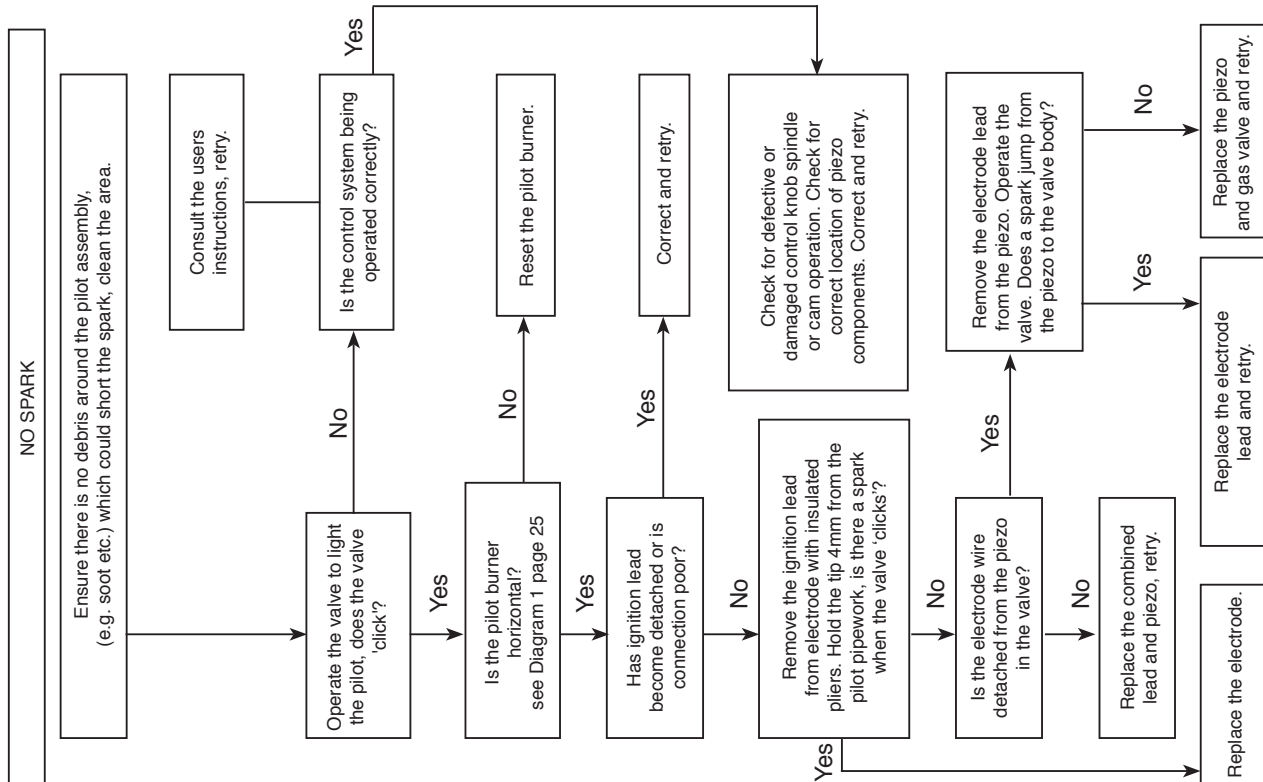
Servicing Instructions

Fault Finding Charts

FLAME FAILURE FUNCTIONAL CHECK 3



IGNITION FUNCTIONAL CHECK 2



Servicing Instructions - Replacing Parts

1. General

- 1.1 All main components can be replaced without removing the appliance from its installation.

IT IS ESSENTIAL THAT THE GAS SUPPLY TO THE APPLIANCE IS TURNED OFF AT THE ISOLATION DEVICE BEFORE PROCEEDING FURTHER.

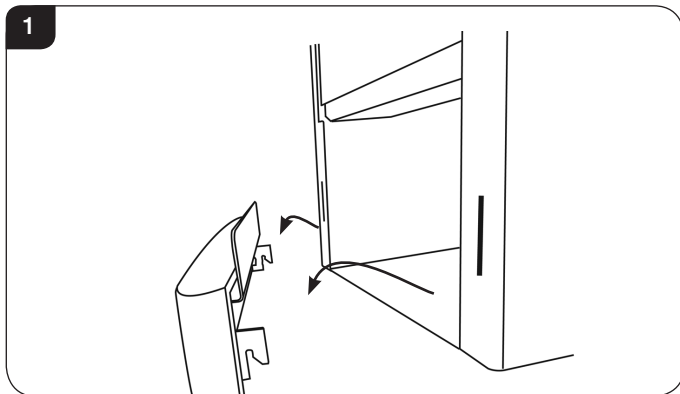
2. Decorative Front



IMPORTANT: THE OUTER PANNELLING OF THE VOGUE MIDI IS MADE FROM CAST IRON. USE CAUTION WHEN INSTALLING, REMOVING AND STORING AS THE COMPONENTS ARE HEAVY AND SHOULD BE HANDLED CAREFULLY.

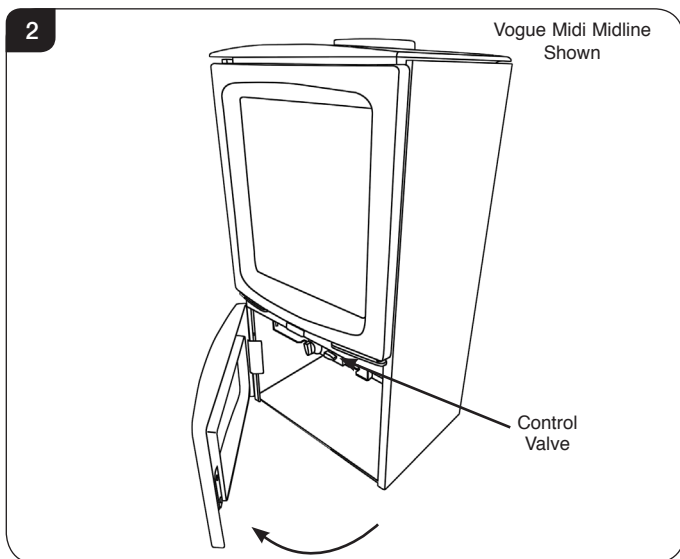
Vogue Midi Models

- 2.1 Remove the plinth to access the controls by lifting the hooks clear of the slots on the front of the appliance, see Diagram 1.



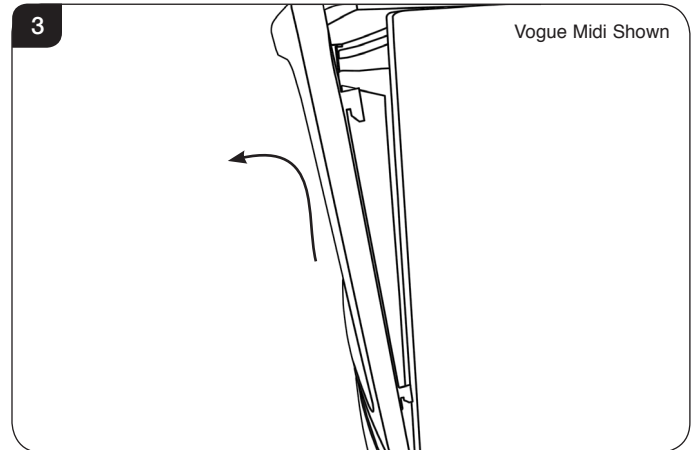
Vogue Midi Midline & Highline Models

- 2.2 Pull the lower door open from the right hand side to access the controls, see Diagram 2.



All Models

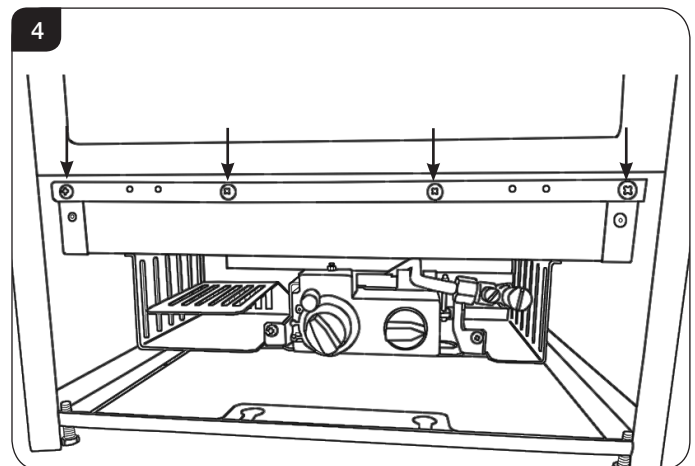
- 2.3 Remove the frame to gain complete access to the control valve and the viewing aperture by lifting the hooks clear of the slots on the front of the appliance, see Diagram 3.



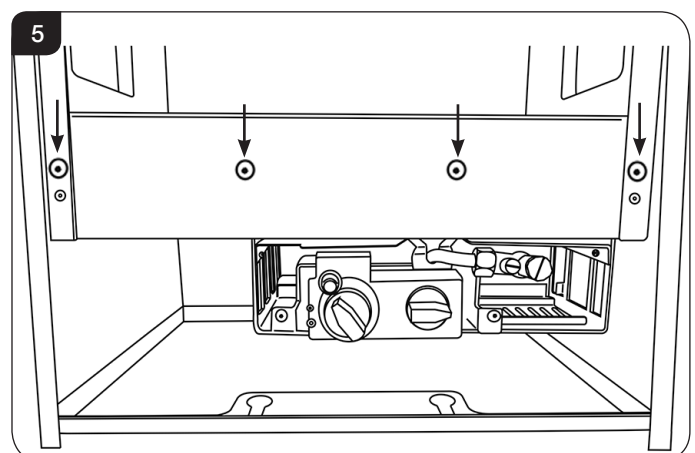
3. Window Frame Assembly

- 3.1 Using a screwdriver remove the 4 screws securing the window panel to the appliance, see Diagram 4 & 5. Take care to support the glass when removing the screws.

Vogue Midi & Midline

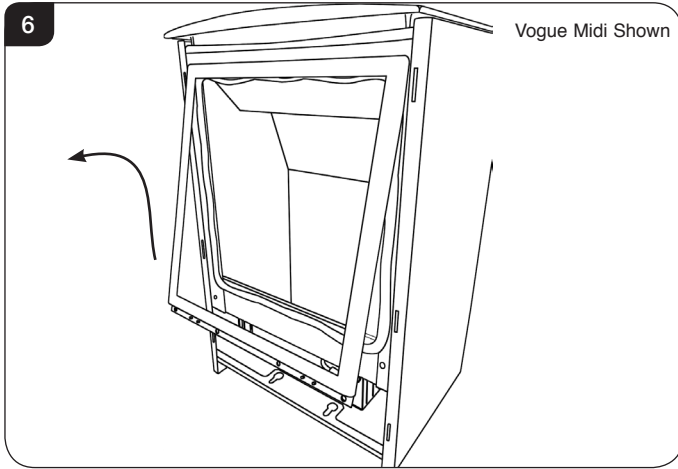


Vogue Midi T - Midi, Midline & Highline



Servicing Instructions - Replacing Parts

- 3.2 The frame can be removed by lifting the hooks clear of the slots from the bottom of the frame and lifting away from the appliance, see Diagram 6.



- 3.3 Place carefully to one side.
- 3.4 The glass frame must be refitted to the appliance following cleaning or servicing. Hold in position and secure with the screws.
- 3.5 Replace ALL of the securing screws ensuring that a screw is present in all fixing slots.



UNDER NO CIRCUMSTANCES SHOULD THE APPLIANCE BE USED IF ANY OF THE GLASS FRAME RETAINING SCREWS ARE LOOSE OR MISSING.

4. Baffle & Liners

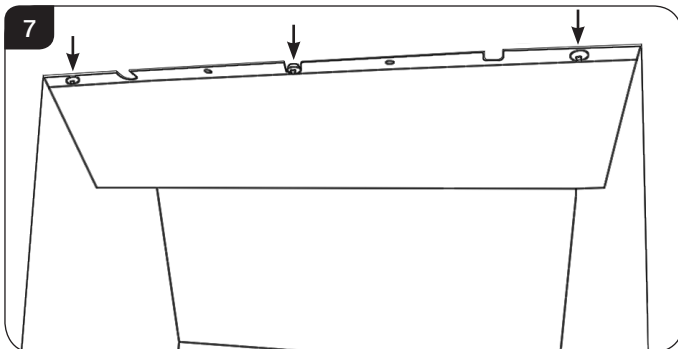
To access the burner tray and interior workings of the appliance it may be necessary to remove the baffle and the liners.

4a. Vogue Midi & Midi Midline

BAFFLE

- 4.1 The baffle must be removed before the liners can be taken out of the appliance.

To do this undo the 3 screws securing it to the roof of the firebox, see Diagram 7.



- 4.2 The baffle can now be removed through the front of the appliance.

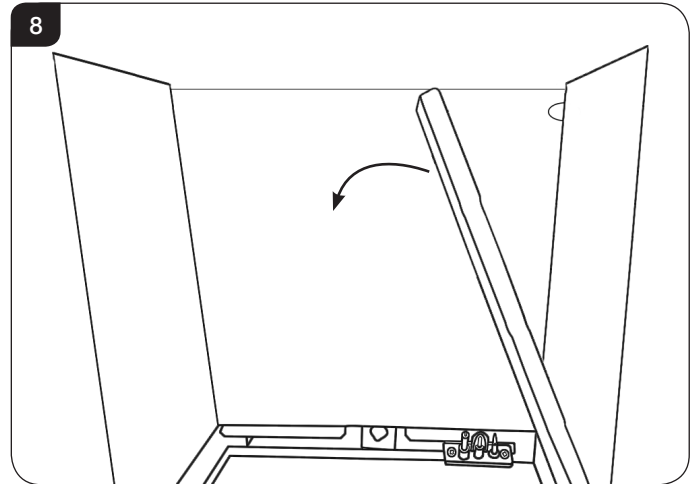
BLACK GLASS LINERS

Once the baffle has been removed the liners can then be taken out.

- 4.3 To remove the side liners:

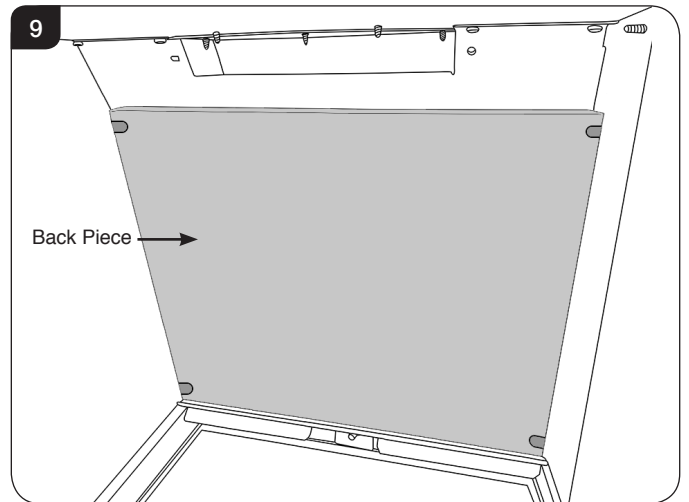
Tilt towards the centre of the firebox.

Lift up and pull out of position, see Diagram 8.



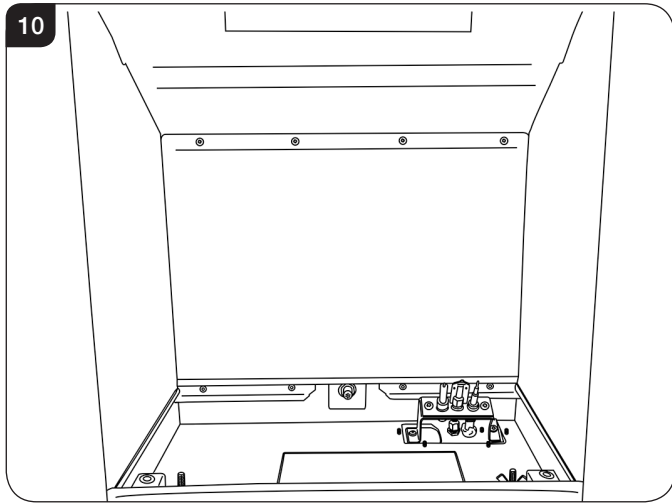
Support the rear panel when handling the last side and remove carefully.

- 4.4 Lean the top of the panel forward, lift and twist slightly to allow removal through the front of the appliance.



Servicing Instructions - Replacing Parts

4.5 With the liners and baffle removed the firebox is clear for cleaning and maintenance, see Diagram 10.



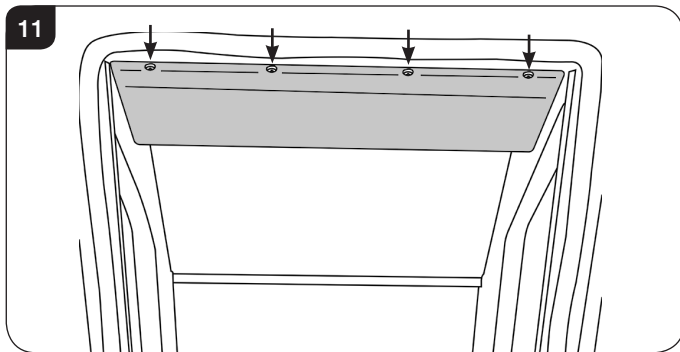
4.6 To replace the liners and baffle reverse these procedures.

4b. Vogue Midi T Midi, Midline & Highline

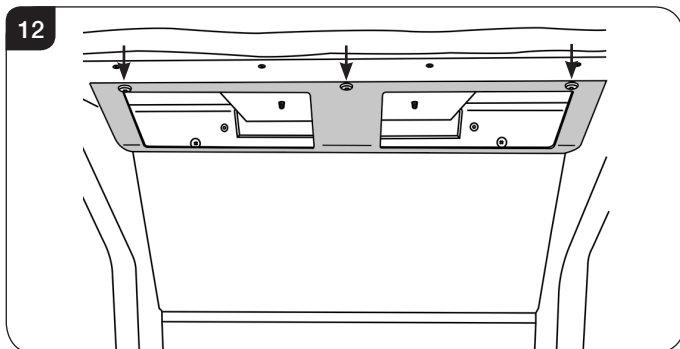
BAFFLE

4.7 The baffle consists of two parts, the Main Baffle and the Rear Baffle.

To remove the Main baffle, undo the 4 screws, and manoeuvre through the firebox, see Diagram 11.

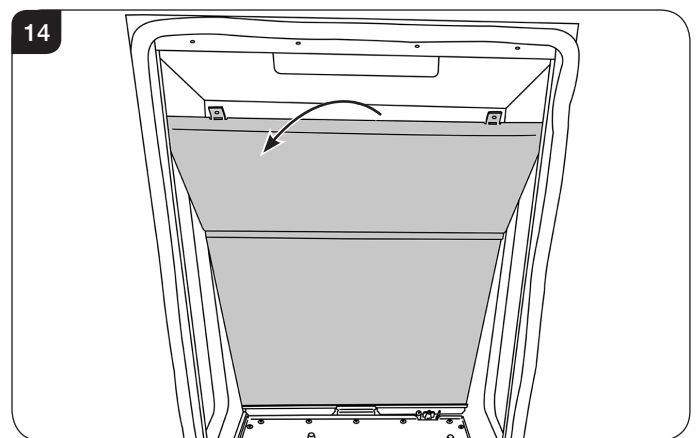
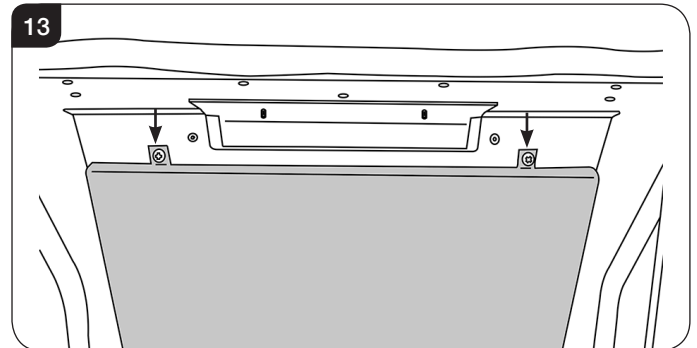


4.8 To remove the Rear baffle, undo the three screws, see Diagram 12.



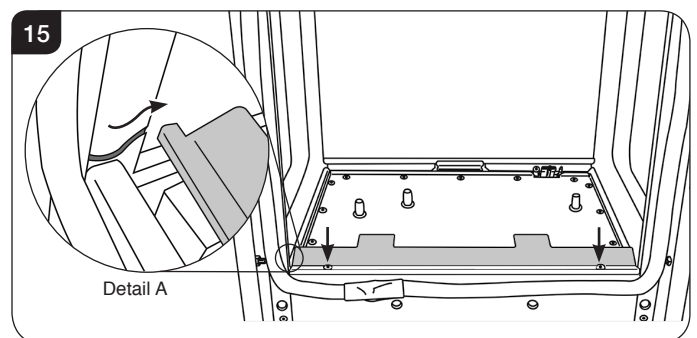
REAR PANEL & TRIMS

4.9 The rear panel is in one piece. Undo the 2 screws and lean forward to remove.



To make removal of the rear panel easier, it may be necessary to remove the burner tray, see Section 5.

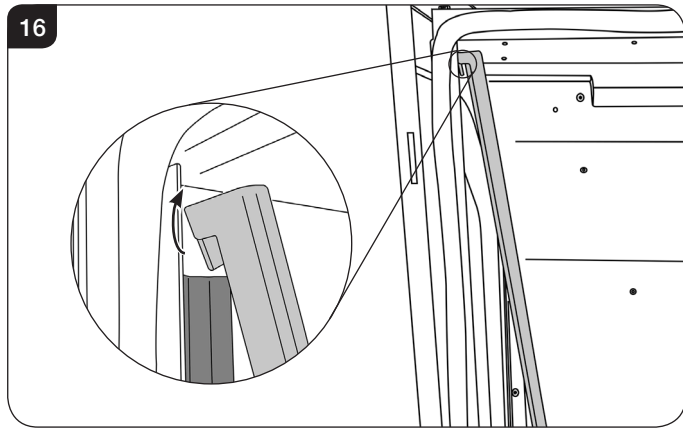
4.10 To remove the fuel bed trim undo the two screws and slide out of the locating slot in the side trims, see Diagram 15, Detail A.



Servicing Instructions - Replacing Parts

- 4.11 To remove the side trim lift and hook off the firebox, see Diagram 16.

i **NOTE:** The Side Trims only need to be removed if damaged or the side glass needs replacing.



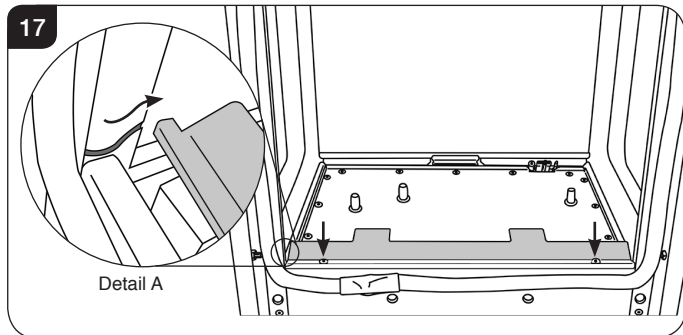
5. Main Burner

To replace the main burner:

- 5.1 Undo the 2 screws to remove the fuel bed trim, see Diagram 17.

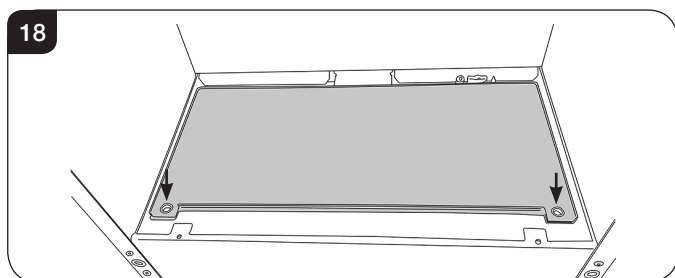
Midi T Models Only:

- 5.2 Slide out of the locating slot in the side trims, see Diagram 17, Detail A.

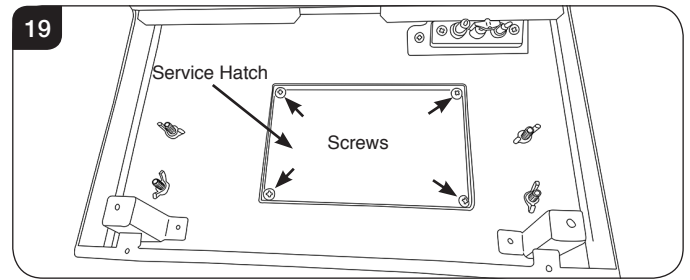


All Models:

- 5.3 Remove the 2 securing screws at the front of the burner, see Diagram 18.

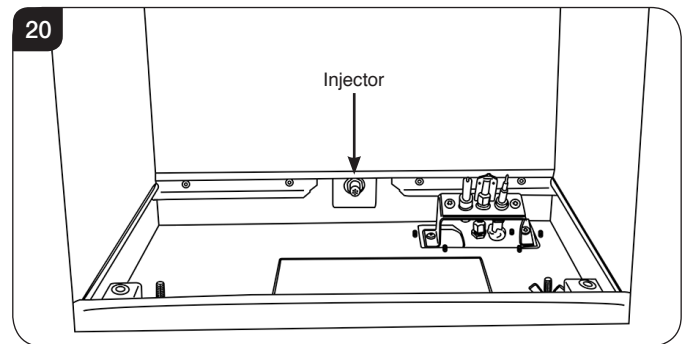


- 5.4 Lift the burner out of the firebox at an angle clear the brackets, exposing the service hatch, see Diagram 19.



- 5.5 Refit in reverse order.

Important: Ensure the burner engages with the injector at the base of the firebox, see Diagram 20.



6. Control Assembly & Service Hatch

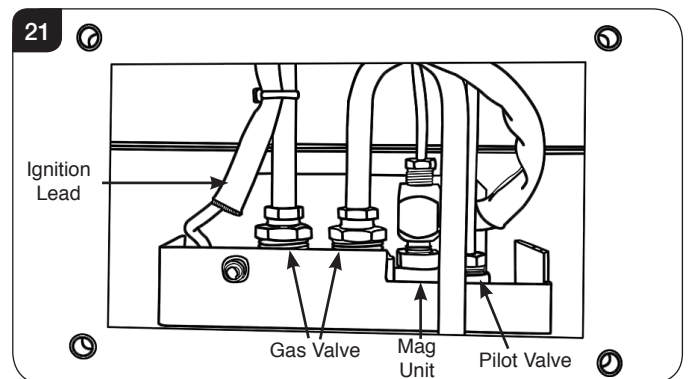
- 6.1 It is not necessary to remove the complete control assembly to service or replace parts of this appliance. The following sections will detail how to individually remove and replace each element.

- 6.2 The Vogue has a servicing hatch to allow access to the gas valve and control assembly in the base of the firebox.

Remove the 4 screws holding the service hatch, see Diagram 19.

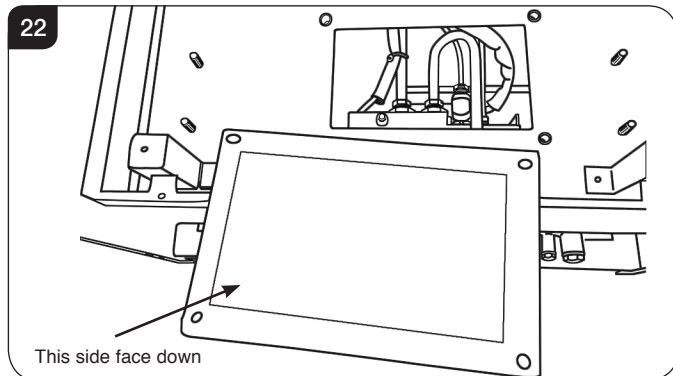
Remove the panel.

- 6.3 This will allow access to the rear of the valve, see Diagram 21.



Servicing Instructions - Replacing Parts

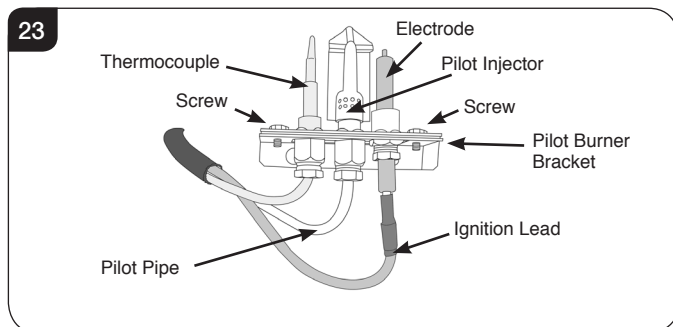
- 6.4 Reposition the service hatch and tighten the 4 screws, see Diagram 22.



7. Pilot Unit

The pilot assembly consists of 4 components which can be individually changed:

- 7a) Pilot burner bracket.
- 7b) Electrode.
- 7c) Pilot injector.
- 7d) Thermocouple.



NOTE: Ensure the sealant surrounding the Electrode and Thermocouple leads is replaced if disturbed or removed whilst gaining access to these components.

IMPORTANT: UNDER THE TERMS OF THE EXTENDED WARRANTY IT WILL BE COMPULSORY TO CHANGE THE COMPLETE PILOT UNIT ON THIS APPLIANCE IN YEARS 2 AND 4.

- 7.1 Turn the gas supply off at the isolation device, remove the door and place to one side, carefully remove the ceramic fuel bed components.

7a. Pilot Burner Bracket

To remove the Pilot Burner Bracket:

- 7.2 **First remove the electrode, pilot pipe and thermocouple as described in the following sections.**
- 7.3 Remove the 2 screws securing the bracket. The pilot burner bracket can now be removed.
- 7.4 Replace in reverse order.

7b. Electrode

- 7.5 Pull the ignition lead off the electrode and undo the retaining nut, see Diagram 23.
- 7.6 Replace with a new electrode. Do not over-tighten the nut; this could break the component.
- 7.7 Replace the ignition lead by pushing the spade connector onto the terminal (electrode).

7c. Pilot Injector

- 7.8 Undo the pilot pipe from the gas valve and from the underside of the pilot burner, see Diagram 23.
- 7.9 Remove the pipe and the injector drops out from the burner.

7d. Thermocouple

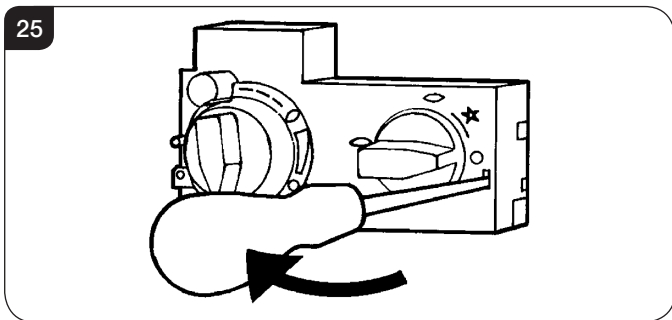
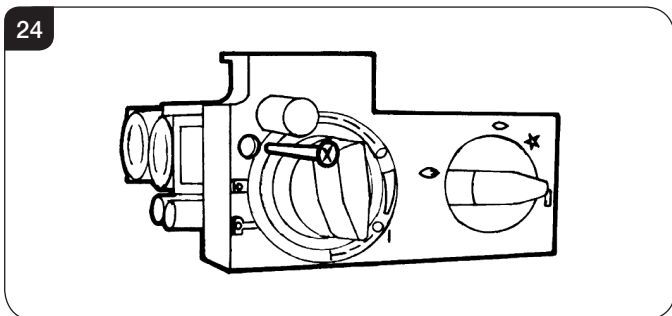
- 7.10 Disconnect the thermocouple from the gas valve.
- 7.11 Undo the thermocouple nut in the back of the pilot bracket half a turn. This releases the thermocouple.
- 7.12 When replacing with a new thermocouple, take care to bend the new component to the same shape as the thermocouple just removed.
- 7.13 To refit the thermocouple into the pilot bracket, ensure it is pushed fully into the hole. There is a stop on the thermocouple to set the height.
- 7.14 Lock the retaining nut just enough to grip the thermocouple.
- 7.15 Connect the thermocouple to the valve **taking care not to over-tighten.**

Servicing Instructions - Replacing Parts

8. Ignition Lead

- 8.1 Follow the Pilot Unit instruction to access the back of the pilot assembly.
- 8.2 Disconnect the ignition lead from the electrode.
- 8.3 Remove the front cover from the control valve by removing the retaining screw, see Diagram 24 and gently levering clear with flat bladed screwdriver, see Diagram 25.

NOTE: There is a small cylindrical metal spacer inside the cover, this must be kept and replaced on the fixing screw on re-assembly.



- 8.4 Disconnect the other end of the ignition lead from the valve body noting the route of the ignition lead.
- 8.5 Replace with a new ignition lead following the same route as the old one.

Replace the valve cover and the pilot assembly.
- 8.6 Check operation of the new ignition lead.

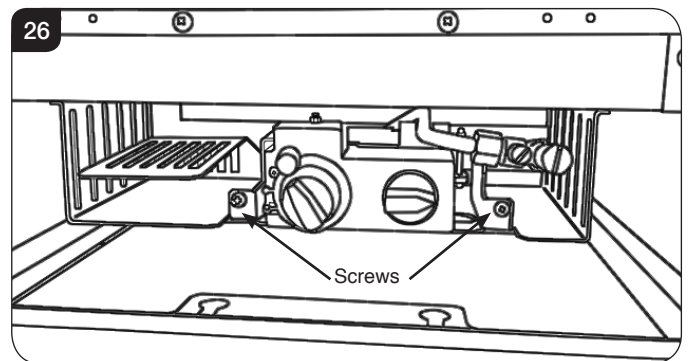
9. Piezo

- 9.1 The piezo assembly used on this appliance is not serviceable and is not likely to fail.
- 9.2 If a new piezo is required it will be necessary to change the valve, see Section 10.

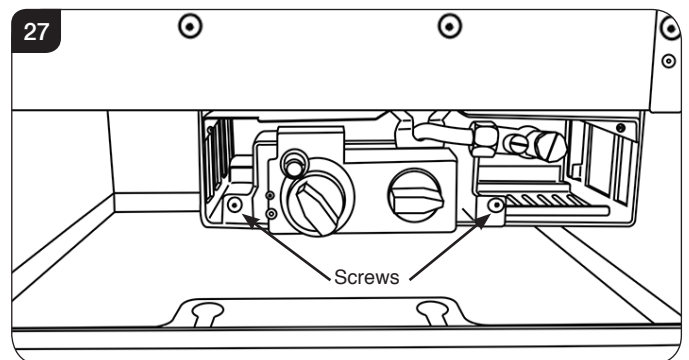
10. Gas Valve

- 10.1 To remove the valve turn off the gas supply at the isolation device.
- 10.2 Remove the main burner, see Section 5.
- 10.3 From inside the firebox remove the locknut from the injector, see Section 12.
- 10.4 Remove the pilot feed pipe from the pilot unit, see Section 7.
- 10.5 It is possible to remove the entire control assembly cradle by removing the four wing nuts inside the firebox:
 - Undo the nuts on the injector pipe, thermocouple, and pilot unit.
 - Undo the four four wing nuts.
The cradle can now be withdrawn.
- 10.6 Alternatively it is possible to just remove the gas valve. Remove the 2 screws at the front of the valve bracket, see Diagrams 26 & 27.

Vogue Midi & Midline



Vogue Midi T - Midi, Midline & Highline

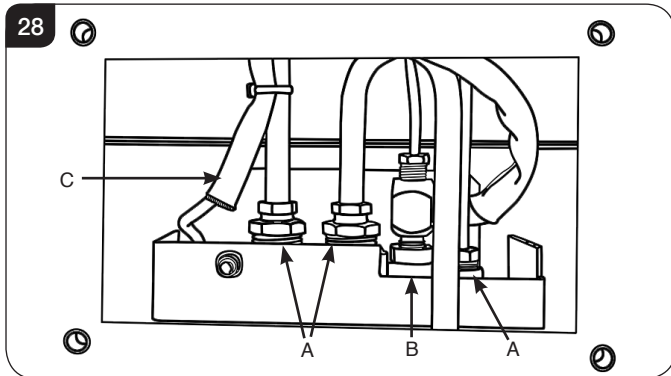


- 10.7 Slide the bracket slightly to the right and pull forward to access the valve connections.

Servicing Instructions - Replacing Parts

10.8 Disconnect the 2 x 8mm and 1 x 4mm gas pipe fittings at the back of the gas valve, see Diagram 28 (A).

10.9 Disconnect the thermocouple, see Diagram 28 (B).



10.10 Disconnect the ignition lead from the gas valve, see Diagram 28 (C).

10.11 Remove the cover, see Section 8.3.

10.12 Undo the 2 screws securing the gas valve to the appliance and remove the valve.

10.13 Replace in reverse order.

10.14 Check all joints for gas leaks and check operation of the thermocouple and ignition lead.

11. Magnetic Safety Valve

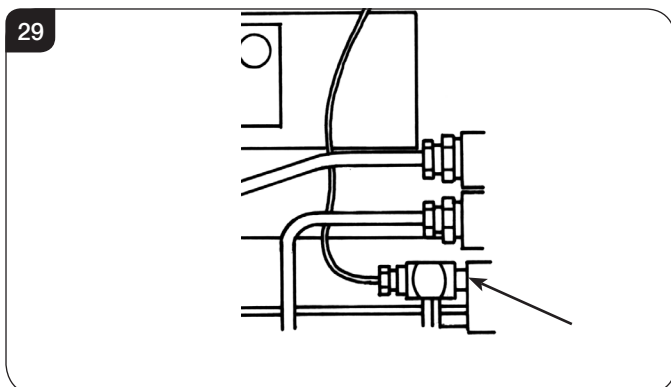
11.1 Turn the gas supply off at the isolation device.

11.2 Remove the gas valve, see Section 10.

11.3 Undo the magnetic valve-retaining nut from the back of the control valve, see Diagram 29.

11.4 Gently tap out the magnetic valve and replace with a new unit.

11.5 Replace the retaining nut and tighten.



11.6 Reassemble the interrupter block and leads and secure the thermocouple connection in the rear of the gas control. (Do not overtighten).

11.7 Turn the gas supply on and check the entire pipework and valve joints for any leaks.

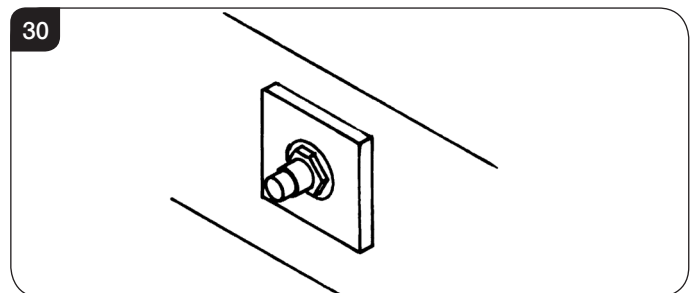
12. Main Injector

12.1 To remove the main injector turn off the gas supply at the isolation device.

12.2 Remove the main burner, see Section 5.

12.3 Undo the compression nuts from the feed pipe and the gas valve under the appliance.

12.4 Working from inside the firebox remove the lock nut from the injector, see Diagram 30.



12.5 Extract the injector with the feed pipe from beneath the appliance.

12.6 Holding the injector with a spanner:

12.7 Undo the feed pipe. **Note the orientation of the Injector.**

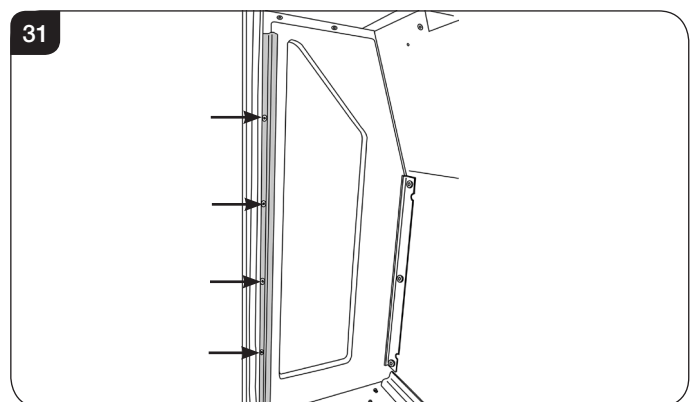
12.8 Re-assemble in reverse order.

12.9 Turn on the gas supply and check for leaks.

13. Glass Side Panels - Midi T Models Only

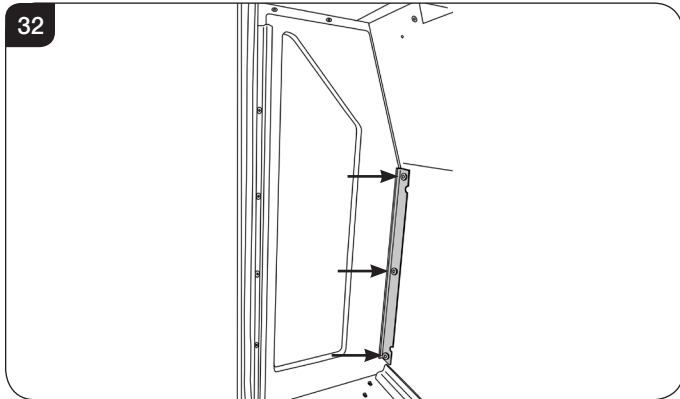
To service the glass side panels, first remove the back panel and the side trims (see Section 4b).

13.1 Undo the four screws securing the front bracket and remove, see Diagram 31.



Servicing Instructions - Replacing Parts

- 13.2 Undo the 3 screws securing the rear bracket and remove, see Diagram 32.

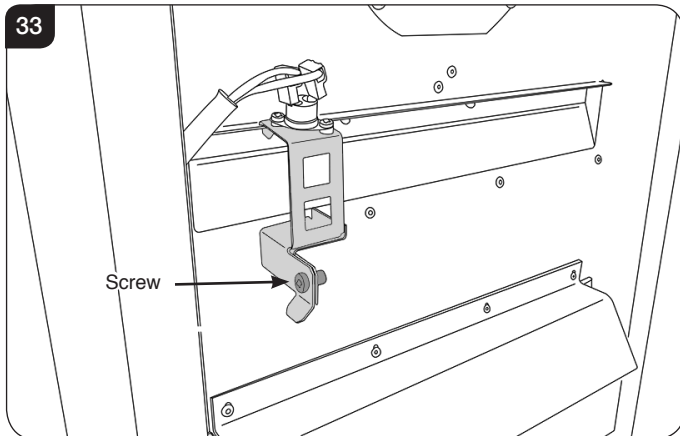


- 13.3 Replace the glass and gasket, ensuring that the printed side is facing outwards.

14. Flue Sure System

If the appliance has been installed in a restrictive location, it may be necessary to remove the appliance.

- 14.1 Locate the sensor in the draft diverter opening, and gently pull the 2 wires off the terminals.
- 14.2 From the side of the appliance remove the screw from the bracket.
- 14.3 The sensor is hooked over the lip of the draft diverter. Lift up to free the bracket.

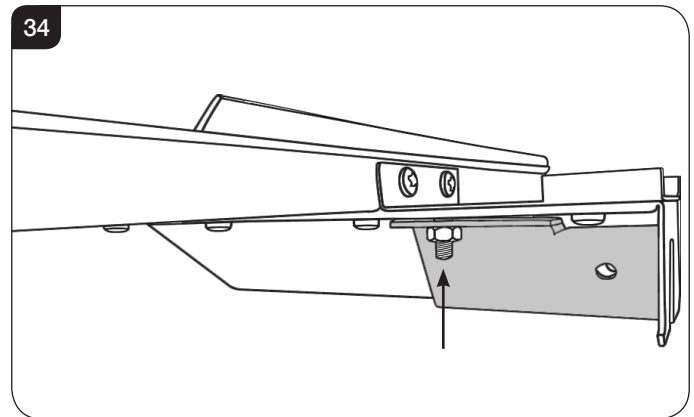


- 14.4 Refit the new sensor, ensuring that the plastic spacers are between the sensor and the bracket.
- 14.5 Replace the bracket in reverse order and fit the 2 leads.
- 14.6 If it has been necessary to remove the appliance, ensure that all disturbed gas joints are checked for gas soundness when reinstalled, and repeat the flue clearance test as detailed in the Commissioning Section.

15. Primary Aeration Plate

NOTE: Not all models have aeration plates. Please refer to the Technical Specification.

- 15.1 To replace the primary aeration plate turn off the gas supply at the isolation device.
- 15.2 Remove the burner, see Installation Instructions, Replacing Parts, Section 5.
- 15.3 Undo the 2 nuts and remove the plate.
- 15.4 Replace with the correct size plate and secure the 2 nuts. Ensure that the lower edge of the plate is located over the venturi flange, see Diagram 34.



16. Changing Between Gas Types

A kit of parts is available for this - Contact your Gazco retailer for further information.

It will be necessary to change the following:

- Burner
- Injector
- Pilot Injector
- Gas Valve

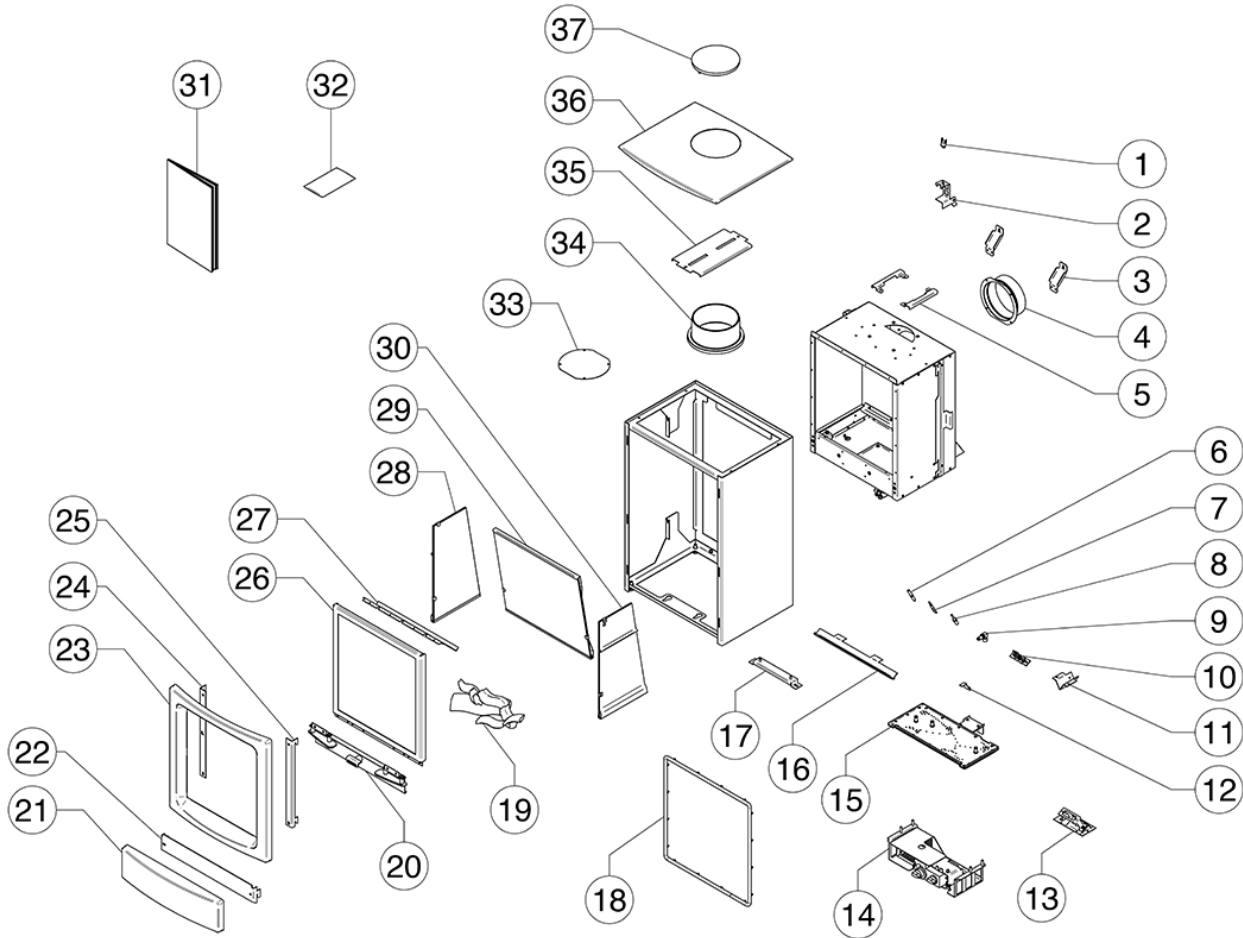
Always quote the Model number and Serial number when ordering any spare parts.

17. Control Upgrade

See Installation Instructions, Section 2.

Servicing Instructions - Replacing Parts

18. Spares List - Vogue Midi



No.	Component	Part Code		Quantity	No.	Component	Part Code		Quantity
		Natural Gas	LPG				Natural Gas	LPG	
1	Flue Sensor	EL0001		1	20	Logo & Handle Assembly	GZ13240		1
2	Flue Sensor Bracket	GZ13716		1	21	Cast Control Cover	CA0829		1
3	Restraint Bracket	GZ13397		2	22	Cast Control Cover Hook Bracket	GZ13390		1
4	Spigot	MEC0033		1	23	Cast Door	CA0828		1
5	Flue Collar Spacer	GZ13476		2	24	LH Cast Door Hook	GZ13389		1
6	Electrode	PI0075		1	25	RH Cast Door Hook	GZ13388		1
7	Thermocouple	PI0074		1	26	Glass Frame Assembly	GZ13410		1
8	Pilot Bulk Head	FA0723		1	27	Baffle	GZ13720		1
9	Injector	IN0023	IN0052	1	28	LH Glass Panel Assembly	GZ13423		1
10	Pilot Unit	PI0069	PI0070	1	29	Rear Glass Panel Assembly	GZ13635		1
11	Aeration Plate	GZ15859	GZ10410	1	30	RH Glass Panel Assembly	GZ13422		1
12	Log Support Bracket	GZ15302	-	1	31	Instruction Manual	PR2247		1
13	Pilot Bracket Assembly	GZ13443		1	32	Embaglow	GZ8471		1
14	Main Control Assembly	GZ13776		1	33	Blanking Plate	ME0608		1
15	Main Burner	GZ13746	GZ13748	1	34	Cast Flue Collar	CA0722A		1
16	Front Stone Channel	GZ13477		1	35	Blanking Plate Strap	GZ13398		1
17	Floor Fixing Bracket	GZ9744		1	36	Cast Top	CA0833		1
18	Door Seal	FA0725		1	37	Flue Blanking Plate	CA0836		1
19	Log Set	CE1755		1					

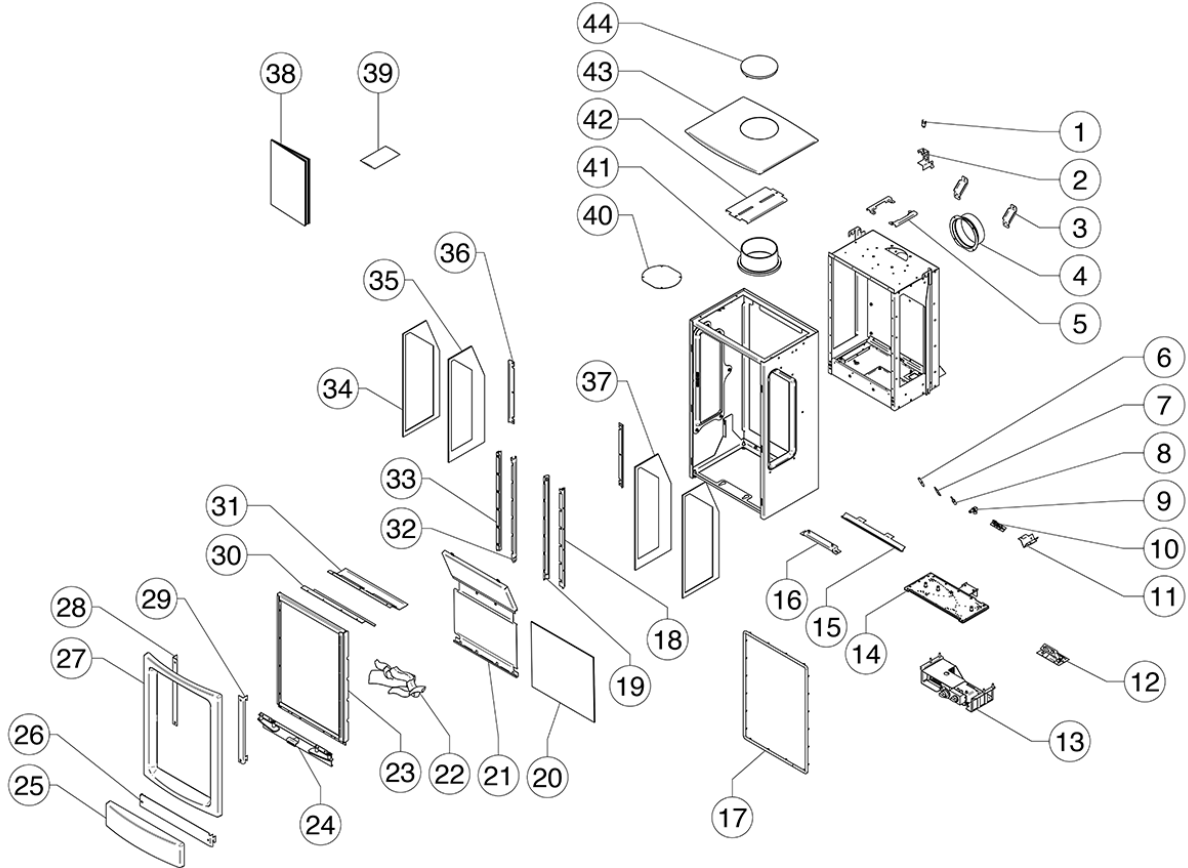


Due to continual technical improvements please check online or with your Gazco retailer for the most up to date parts lists.

Only use Genuine Gazco spares when servicing your appliance.
All of our essential spare parts and consumable items are available to purchase from our webshop at www.gazcospares.com.

Servicing Instructions - Replacing Parts

18. Spares List - Vogue Midi T Midi



No.	Component	Part Code		Quantity
		Natural Gas	LPG	
1	Flue Sensor	EL0001		1
2	Flue Sensor Bracket	GZ13716		1
3	Restraint Bracket	GZ13397		2
4	Spigot	MEC0033		1
5	Flue Collar Spacer	GZ13476		2
6	Electrode	PI0075		1
7	Thermocouple	PI0074		1
8	Pilot Bulk Head	FA0723		1
9	Injector	IN0023	IN0055	1
10	Pilot Unit	PI0069	PI0070	1
11	Aeration Plate	GZ10406	GZ11214	1
12	Pilot Bracket Assembly	GZ13443		1
13	Main Control Assembly	GZ14477		1
14	Main Burner	GZ14318	GZ14319	1
15	Front Stone Channel	GZ13477		1
16	Floor Fixing Bracket	GZ9744		1
17	Door Seal	FA0726		1
18	Glass Retainer - Front RH	GZ13884		1
19	Vanity Trim RH	GZ13937		1
20	Rear Glass Panel	CE1785		1

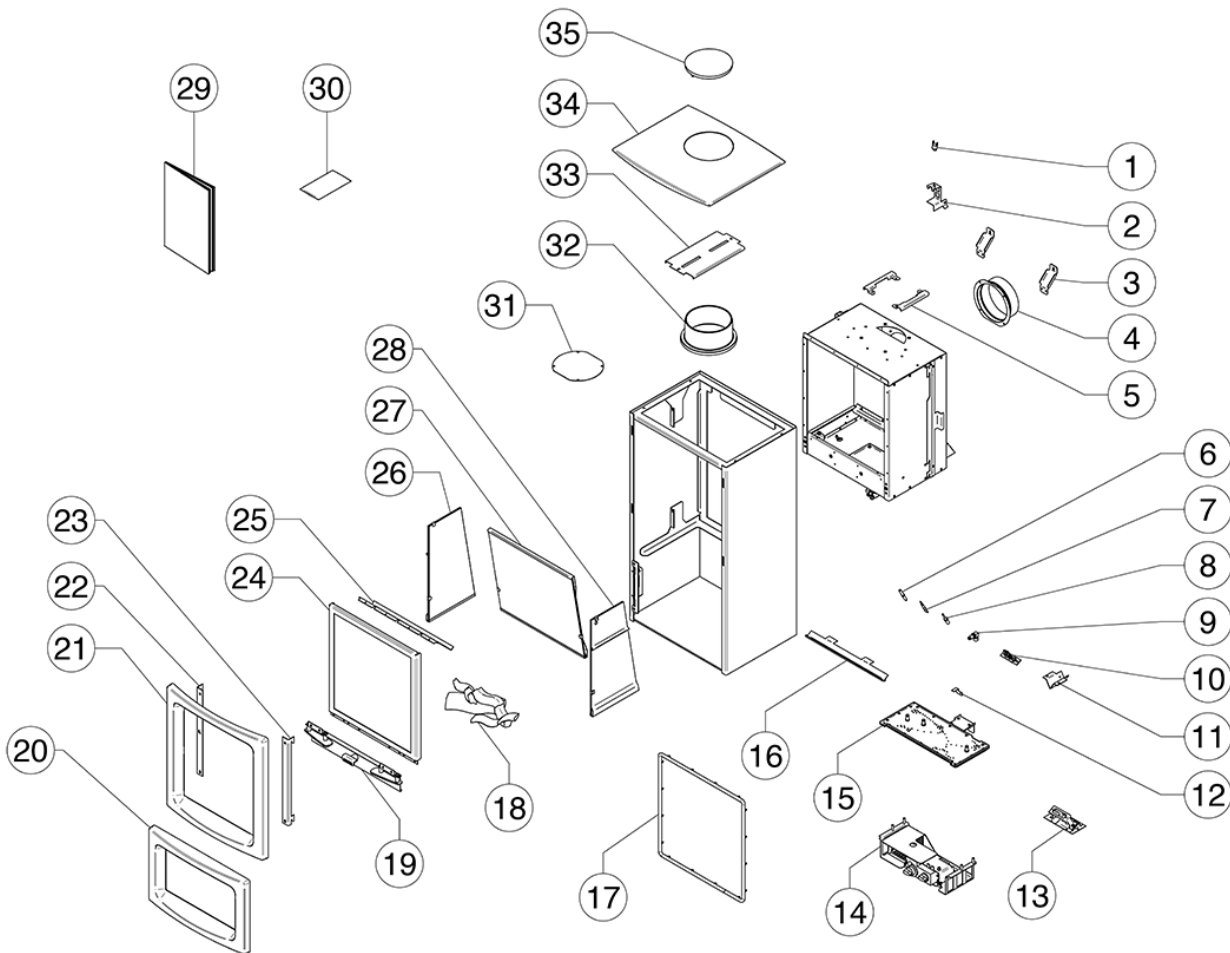
No.	Component	Part Code		Quantity
		Natural Gas	LPG	
21	Rear Glass Panel Bracket	GZ14101		1
22	Log Set	CE1755		1
23	Glass Frame Assembly	GZ13513		1
24	Logo & Handle Assembly	GZ13240		1
25	Cast Control Cover	CA0829		1
26	Cast Control Cover Hook Bracket	GZ13390		1
27	Cast Door	CA0832		1
28	LH Cast Door Hook	GZ13389		1
29	RH Cast Door Hook	GZ13388		1
30	Top Baffle	GZ14108		1
31	Top Airguide	GZ14102		1
32	Vanity Trim LH	GZ13936		1
33	Glass Retainer - Front LH	GZ13883		1
34	Glass Gasket	CE1832		2
35	LH Glass	CE1784		1
36	Glass Retainer Rear	GZ13885		2
37	RH Glass	CE1783		1
38	Instruction Manual	PR2247		1
39	Embaglow	GZ8471		1
40	Blanking Plate	ME0608		1
41	Cast Flue Collar	CA0722A		1
42	Blanking Plate Strap	GZ13398		1
43	Cast Top	CA0833		1
44	Flue Blanking Plate	CA0836		1

i Due to continual technical improvements please check online or with your Gazco retailer for the most up to date parts lists.

Only use Genuine Gazco spares when servicing your appliance. All of our essential spare parts and consumable items are available to purchase from our webshop at www.gazcospares.com.

Servicing Instructions - Replacing Parts

18. Spares List - Vogue Midi Midline



No.	Component	Part Code		Quantity
		Natural Gas	LPG	
1	Flue Sensor	EL0001		1
2	Flue Sensor Bracket	GZ13716		1
3	Restraint Bracket	GZ13397		2
4	Spigot	MEC0033		1
5	Flue Collar Spacer	GZ13476		2
6	Electrode	PI0075		1
7	Thermocouple	PI0074		1
8	Pilot Bulk Head	FA0723		1
9	Injector	IN0023	IN0052	1
10	Pilot Unit	PI0069	PI0070	1
11	Aeration Plate	GZ15859	GZ10410	1
12	Log Support Bracket	GZ15302	-	1
13	Pilot Bracket Assembly	GZ13443		1
14	Main Control Assembly	GZ13776		1
15	Main Burner	GZ13746	GZ13748	1
16	Front Stone Channel	GZ13477		1
17	Door Seal	FA0725		1
18	Log Set	CE1755		1

No.	Component	Part Code		Quantity
		Natural Gas	LPG	
19	Logo & Handle Assembly	GZ13240		1
20	Cast Control Cover Door	CA0830		1
21	Cast Door	CA0828		1
22	LH Cast Door Hook	GZ13389		1
23	RH Cast Door Hook	GZ13388		1
24	Glass Frame Assembly	GZ13410		1
25	Baffle	GZ13720		1
26	LH Glass Panel Assembly	GZ13423		1
27	Rear Glass Panel Assembly	GZ13635		1
28	RH Glass Panel Assembly	GZ13422		1
29	Instruction Manual	PR2247		1
30	Embaglow	GZ8471		1
31	Blanking Plate	ME0608		1
32	Cast Flue Collar	CA0722A		1
33	Blanking Plate Strap	GZ13398		1
34	Cast Top	CA0833		1
35	Flue Blanking Plate	CA0836		1



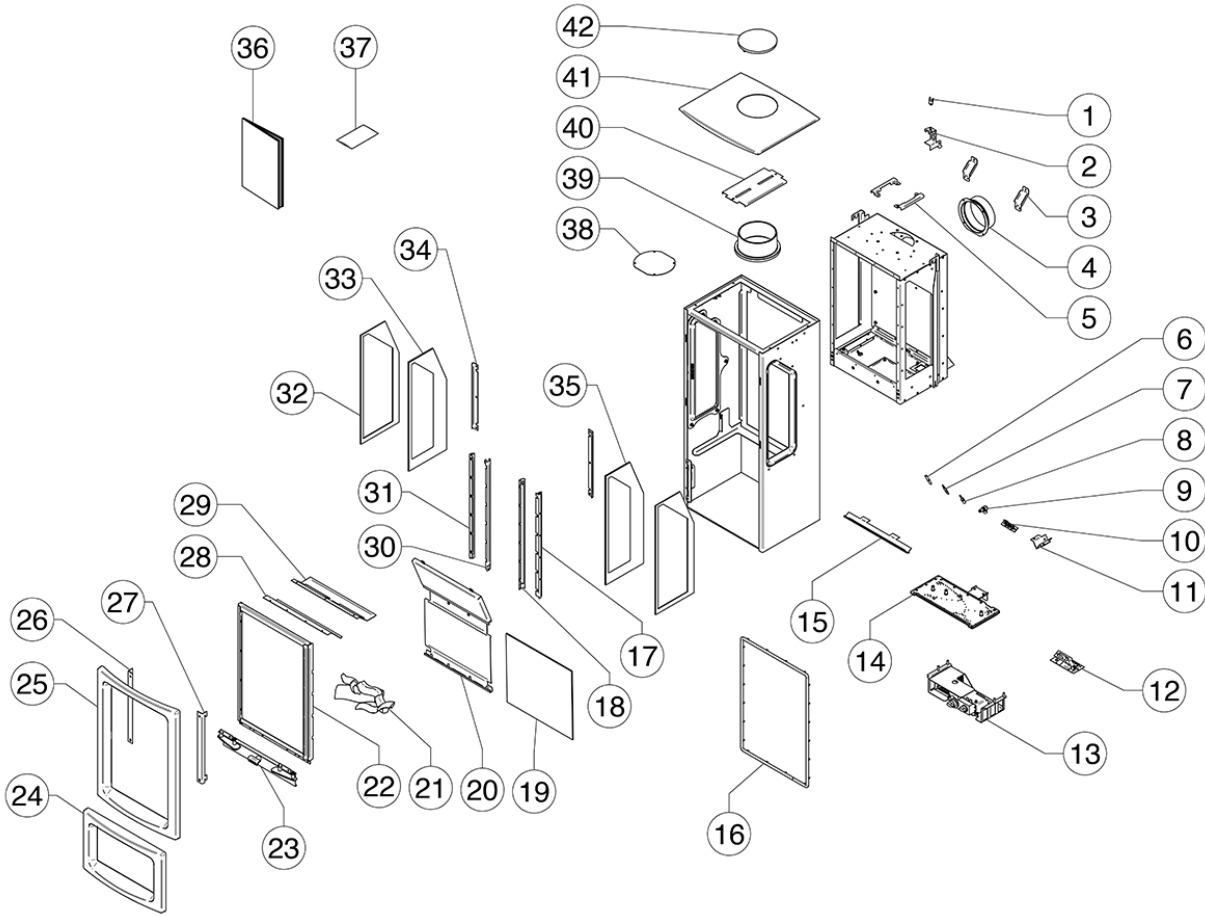
Due to continual technical improvements please check online or with your Gazco retailer for the most up to date parts lists.

Only use Genuine Gazco spares when servicing your appliance.

All of our essential spare parts and consumable items are available to purchase from our webshop at www.gazcospares.com.

Servicing Instructions - Replacing Parts

18. Spares List - Vogue Midi T Midline



No.	Component	Part Code		Quantity
		Natural Gas	LPG	
1	Flue Sensor	EL0001		1
2	Flue Sensor Bracket	GZ13716		1
3	Restraint Bracket	GZ13397		2
4	Spigot	MEC0033		1
5	Flue Collar Spacer	GZ13476		2
6	Electrode	PI0075		1
7	Thermocouple	PI0074		1
8	Pilot Bulk Head	FA0723		1
9	Injector	IN0023	IN0055	1
10	Pilot Unit	PI0069	PI0070	1
11	Aeration Plate	GZ10406	GZ11214	1
12	Pilot Bracket Assembly	GZ13443		1
13	Main Control Assembly	GZ14477		1
14	Main Burner	GZ14318	GZ14319	1
15	Front Stone Channel	GZ13477		1
16	Door Seal	FA0726		1
17	Glass Retainer - Front RH	GZ13884		1
18	Vanity Trim RH	GZ13937		1
19	Rear Glass Panel	CE1785		1

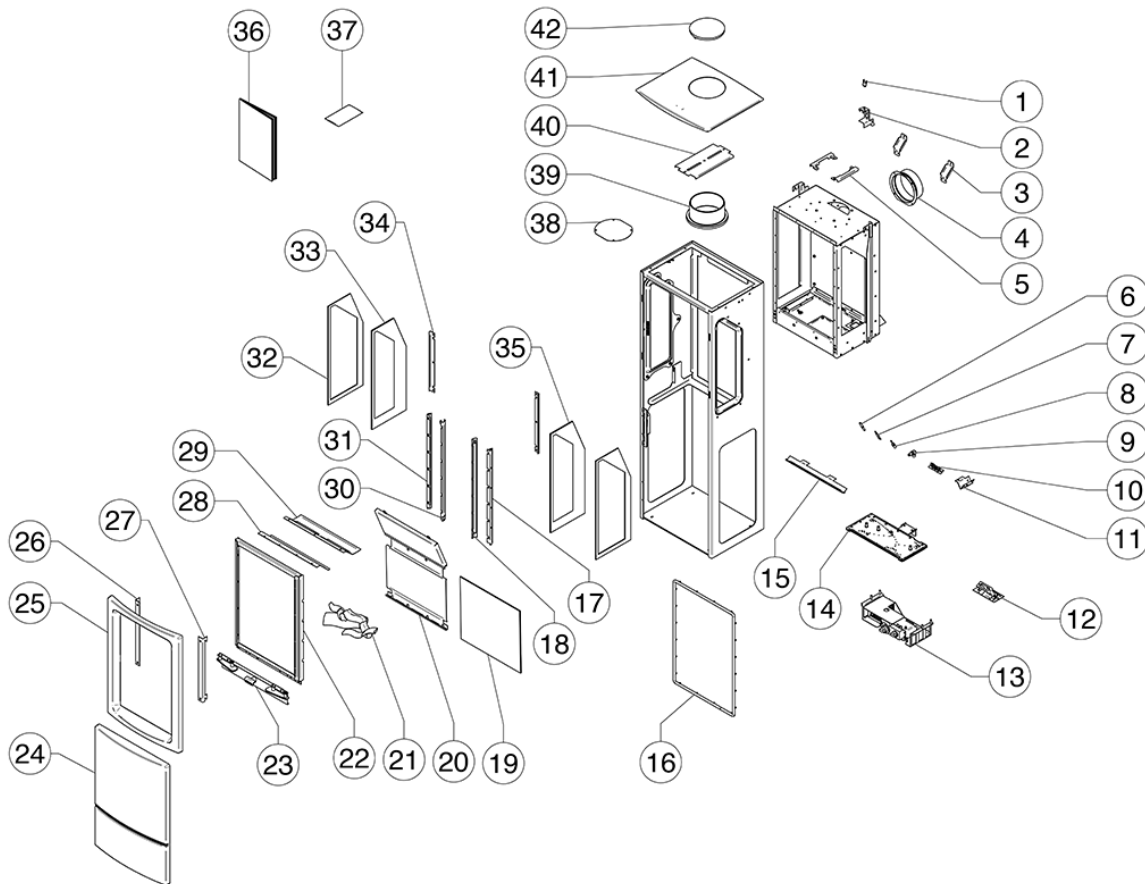
No.	Component	Part Code		Quantity
		Natural Gas	LPG	
20	Rear Glass Panel Bracket	GZ14101		1
21	Log Set	CE1755		1
22	Glass Frame Assembly	GZ13513		1
23	Logo & Handle Assembly	GZ13240		1
24	Cast Control Cover Door	CA0830		1
25	Cast Door	CA0832		1
26	LH Cast Door Hook	GZ13389		1
27	RH Cast Door Hook	GZ13388		1
28	Top Baffle	GZ14108		1
29	Top Airguide	GZ14102		1
30	Vanity Trim LH	GZ13936		1
31	Glass Retainer - Front LH	GZ13883		1
32	Glass Gasket	CE1832		2
33	LH Glass	CE1784		1
34	Glass Retainer Rear	GZ13885		2
35	RH Glass	CE1783		1
36	Instruction Manual	PR2247		1
37	Embaglow	GZ8471		1
38	Blanking Plate	ME0608		1
39	Cast Flue Collar	CA0722A		1
40	Blanking Plate Strap	GZ13398		1
41	Cast Top	CA0833		1
42	Flue Blanking Plate	CA0836		1

i Due to continual technical improvements please check online or with your Gazco retailer for the most up to date parts lists.

Only use Genuine Gazco spares when servicing your appliance. All of our essential spare parts and consumable items are available to purchase from our webshop at www.gazcospares.com.

Servicing Instructions - Replacing Parts

18. Spares List - Vogue Midi T Highline



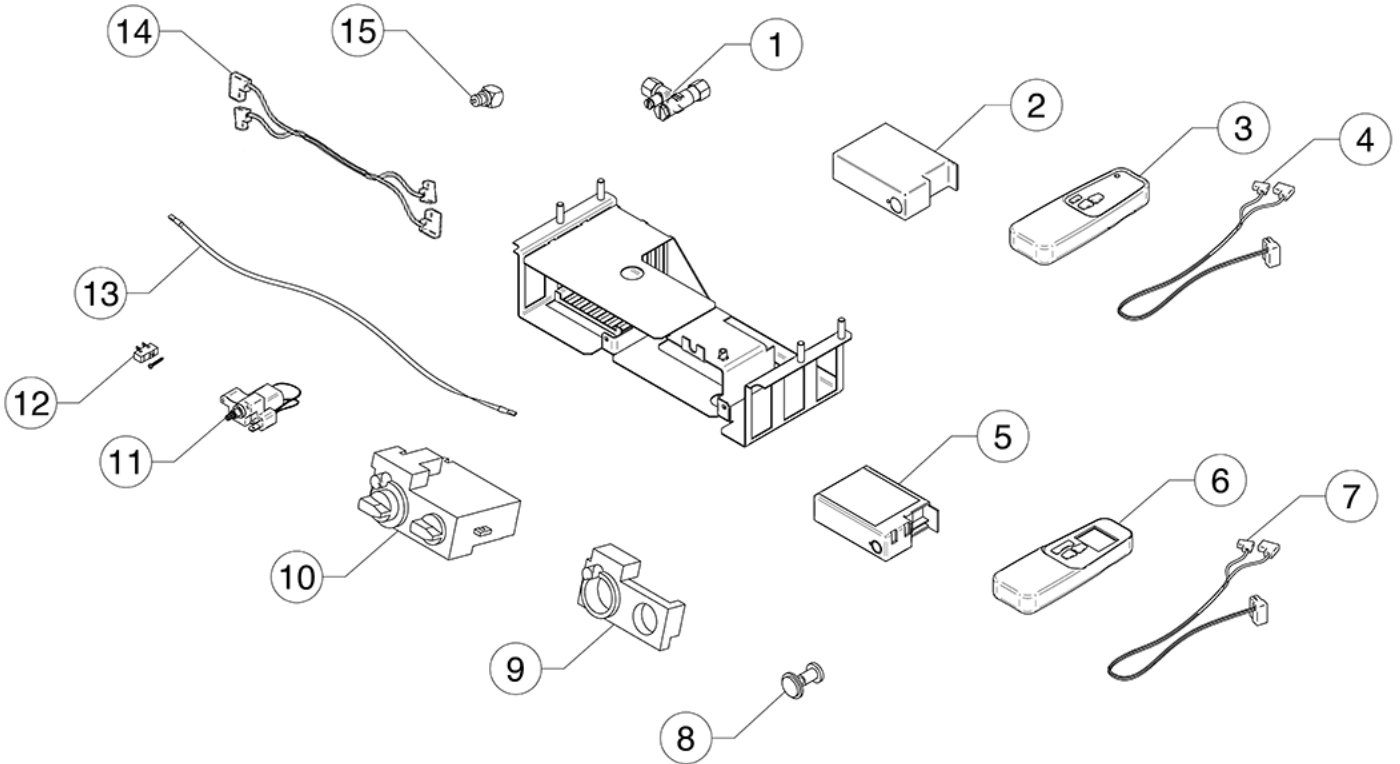
No.	Component	Part Code		Quantity	No.	Component	Part Code		Quantity
		Natural Gas	LPG				Natural Gas	LPG	
1	Flue Sensor	EL0001		1	20	Rear Glass Panel Bracket	GZ14101		1
2	Flue Sensor Bracket	GZ13716		1	21	Log Set	CE1755		1
3	Restraint Bracket	GZ13397		2	22	Glass Frame Assembly	GZ13513		1
4	Spigot	MEC0033		1	23	Logo & Handle Assembly	GZ13240		1
5	Flue Collar Spacer	GZ13476		2	24	Door Assembly	GZ14622		1
6	Electrode	PI0075		1	25	Cast Door	CA0832		1
7	Thermocouple	PI0074		1	26	LH Cast Door Hook	GZ13389		1
8	Pilot Bulk Head	FA0723		1	27	RH Cast Door Hook	GZ13388		1
9	Injector	IN0023	IN0055	1	28	Top Baffle	GZ14108		1
10	Pilot Unit	PI0069	PI0070	1	29	Top Airguide	GZ14102		1
11	Aeration Plate	GZ10406	GZ11214	1	30	Vanity Trim LH	GZ13936		1
12	Pilot Bracket Assembly	GZ13443		1	31	Glass Retainer - Front LH	GZ13883		1
13	Main Control Assembly	GZ14477		1	32	Glass Gasket	CE1832		2
14	Main Burner	GZ14318	GZ14319	1	33	LH Glass	CE1784		1
15	Front Stone Channel	GZ13477		1	34	Glass Retainer Rear	GZ13885		2
16	Door Seal	FA0726		1	35	RH Glass	CE1783		1
17	Glass Retainer - Front RH	GZ13884		1	36	Instruction Manual	PR2247		1
18	Vanity Trim RH	GZ13937		1	37	Embaglow	GZ8471		1
19	Rear Glass Panel	CE1785		1	38	Blanking Plate	ME0608		1
					39	Cast Flue Collar	CA0722A		1
					40	Blanking Plate Strap	GZ13398		1
					41	Cast Top	CA0833		1
					42	Flue Blanking Plate	CA0836		1

i Due to continual technical improvements please check online or with your Gazco retailer for the most up to date parts lists.

Only use Genuine Gazco spares when servicing your appliance. All of our essential spare parts and consumable items are available to purchase from our webshop at www.gazcospares.com.

Servicing Instructions - Replacing Parts

18. Spares List - Control Assembly



No.	Component	Part Code		Quantity
		Midi	Midi T 3 Sided	
1	Inlet Isolation Valve		GC0095	1
2	Standard Receiver		EL0235	1
3	Standard Handset		EL0239	1
4	Standard Receiver Cable		EL0237	1
5	Thermostatic Receiver		EL0236	1
6	Thermostatic Handset		EL0240	1
7	Thermostatic Receiver Cable		EL0238	1
8	Mag Unit		GC0166	1
9	Control Valve Cover		GC0087	1
10	Control Valve		GC0088K	1
11	Geared Motor		EL0234	1
12	Micro Switch and Screw		EL0241	1
13	Ignition Lead		GC0090	1
14	Flue Sensor Lead		EL0811	1
15	Interrupter Block		GC0183	1



Due to continual technical improvements please check online or with your Gazco retailer for the most up to date parts lists.

Only use Genuine Gazco spares when servicing your appliance.

All of our essential spare parts and consumable items are available to purchase from our webshop at www.gazcospares.com.

Service Records

1ST SERVICE

Date of Service.....
Next Service Due
Signed
Retailer's Stamp/GasSafe Registration Number

2ND SERVICE

Date of Service.....
Next Service Due
Signed
Retailer's Stamp/GasSafe Registration Number

3RD SERVICE

Date of Service.....
Next Service Due
Signed
Retailer's Stamp/GasSafe Registration Number

4TH SERVICE

Date of Service.....
Next Service Due
Signed
Retailer's Stamp/GasSafe Registration Number

5TH SERVICE

Date of Service.....
Next Service Due
Signed
Retailer's Stamp/GasSafe Registration Number

6TH SERVICE

Date of Service.....
Next Service Due
Signed
Retailer's Stamp/GasSafe Registration Number

7TH SERVICE

Date of Service.....
Next Service Due
Signed
Retailer's Stamp/GasSafe Registration Number

8TH SERVICE

Date of Service.....
Next Due
Signed
Retailer's Stamp/GasSafe Registration Number

9TH SERVICE

Date of Service.....
Next Service Due
Signed
Retailer's Stamp/GasSafe Registration Number

10TH SERVICE

Date of Service.....
Next Service Due
Signed
Retailer's Stamp/GasSafe Registration Number

Information Requirement - Gas Heaters

Information Requirement for Gaseous Fuel Local Space Heater

Model		Vogue Midi CF NG	Vogue Midi CF LPG	Vogue Midi Midline CF NG	Vogue Midi Midline CF LPG	Vogue Midi T - Midi CF NG
Fuel	Space Heating Emissions (NOx) - mg / kWh _{input} (GCV)	130	130	130	130	130

Heat Output	Nominal Heat Output - P_{nom}	4.2kW	4.3kW	4.2kW	4.3kW	4.2kW
	Minimum Heat Output (indicative) - P_{min}	1.6kW	1.6kW	1.6kW	1.6kW	2.1kW

Auxiliary Electricity Consumption	At Nominal Heat Output - e_{lmax}	N/A	N/A	N/A	N/A	N/A
	At Minimum Heat Output - e_{lmin}	N/A	N/A	N/A	N/A	N/A
	In Standby Mode - e_{sb}	N/A	N/A	N/A	N/A	N/A

Useful Efficiency (NCV)	Useful Efficiency at nominal heat output - $\eta_{th,nom}$	76.0%	76.0%	76.0%	76.0%	76.0%
	Useful Efficiency at minimum heat output (indicative) - $\eta_{th,min}$	61.8%	61.8%	61.8%	61.8%	66.0%

Permanent Pilot Flame Power requirement	Permanent Pilot Flame Power requirement (if applicable) - P_{pilot}	0.200kW	0.200kW	0.200kW	0.200kW	0.200kW
---	---	---------	---------	---------	---------	---------

Type of heat output/room temperature control - Manual Control						
	Two or more manual stages, no room temperature control	Yes	Yes	Yes	Yes	Yes

Other control options (multiple selections possible)						
	Room temperature control, with presence detection	No	No	No	No	No
	Room temperature control, with open window detection	No	No	No	No	No
	With distance control option	No	No	No	No	No
	With adaptive start control	No	No	No	No	No
	With working time limitation	No	No	No	No	No
	With black bulb sensor	No	No	No	No	No

Energy Efficiency Index	69.6%	69.7%	69.6%	69.7%	71.7%
Energy Efficiency Class	E*	E*	E*	E*	E*

*When used with optional Thermostatic Control

Contact:	Gazco Ltd, Osprey Road, Sowton Industrial Estate, Exeter, EX2 7JG
----------	---

Information Requirement - Gas Heaters

Information Requirement for Gaseous Fuel Local Space Heater

Model		Vogue Midi T - Midi CF LPG	Vogue Midi T - Midline CF NG	Vogue Midi T - Midline CF LPG	Vogue Midi T - Highline CF NG	Vogue Midi T - Highline CF LPG
Fuel	Space Heating Emissions (NOx) - mg / kWh _{input} (GCV)	130	130	130	130	130

Heat Output	Nominal Heat Output - P_{nom}	4.1kW	4.2kW	4.1kW	4.2kW	4.1kW
	Minimum Heat Output (indicative) - P_{min}	2.0kW	2.1kW	2.0kW	2.1kW	2.0kW

Auxiliary Electricity Consumption	At Nominal Heat Output - e_{lmax}	N/A	N/A	N/A	N/A	N/A
	At Minimum Heat Output - e_{lmin}	N/A	N/A	N/A	N/A	N/A
	In Standby Mode - e_{lsb}	N/A	N/A	N/A	N/A	N/A

Useful Efficiency (NCV)	Useful Efficiency at nominal heat output - $\eta_{th,nom}$	78.0%	78.0%	78.0%	78.0%	78.0%
	Useful Efficiency at minimum heat output (indicative) - $\eta_{th,min}$	66.0%	66.0%	66.0%	66.0%	66.0%

Permanent Pilot Flame Power requirement	Permanent Pilot Flame Power requirement (if applicable) - P_{pilot}	0.200kW	0.200kW	0.200kW	0.200kW	0.200kW
---	---	---------	---------	---------	---------	---------

Type of heat output/room temperature control - Manual Control						
Two or more manual stages, no room temperature control	Yes	Yes	Yes	Yes	Yes	Yes

Other control options (multiple selections possible)						
Room temperature control, with presence detection	No	No	No	No	No	No
Room temperature control, with open window detection	No	No	No	No	No	No
With distance control option	No	No	No	No	No	No
With adaptive start control	No	No	No	No	No	No
With working time limitation	No	No	No	No	No	No
With black bulb sensor	No	No	No	No	No	No

Energy Efficiency Index	71.7%	71.7%	71.6%	71.7%	71.6%
Energy Efficiency Class	E*	E*	E*	E*	E*

*When used with optional Thermostatic Control

Contact:	Gazco Ltd, Osprey Road, Sowton Industrial Estate, Exeter, EX2 7JG
----------	---

Gazco Limited, Osprey Road, Sowton Industrial Estate, Exeter, Devon, England EX2 7JG
Technical Customer Services: (01392) 261950 Fax: (01392) 261951
E-mail: technicalservices@gazco.com

A member of the Stovax Group
E & O E