



Vogue 700

Inset Convector Fire



Installation Instructions

IMPORTANT

THE OUTER CASING, FRONT AND GLASS PANEL BECOME EXTREMELY HOT DURING OPERATION AND WILL RESULT IN SERIOUS INJURY AND BURNS IF TOUCHED. IT IS THEREFORE RECOMMENDED THAT A FIREGUARD COMPLYING WITH BS 8423 (LATEST EDITION) IS USED IN THE PRESENCE OF YOUNG CHILDREN, THE ELDERLY OR INFIRM.

Do not attempt to burn rubbish in this appliance. Please read these Instructions carefully before installation or use.

Keep them in a safe place for future reference and when servicing the fire.

The commissioning sheet found on page 3 of these instructions should be completed by the Installer.

PM1764.4.02.2021

CONTENTS

Vogue 700 - Inset Convector

Covering the following models:

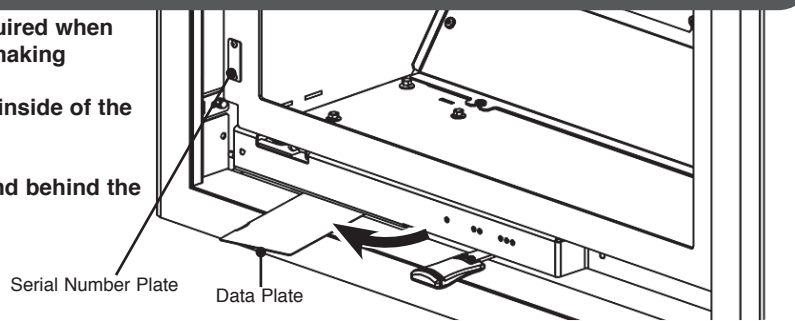
Appliance	Product Code
Vogue 700	323-007

Installation Instructions	4
Essential Information.....	4
Dimensions.....	6
Clearance Dimensions	7
Hearth Information.....	9
Declaration of Performance.....	10
Pre-installation.....	12
Smoke Control Settings.....	16
Installation	18
Commissioning.....	28
Maintenance & Servicing	29
Spare Parts List.....	33
Information Requirement - Solid Fuel	34
Service Records.....	35

SERIAL NUMBER

The serial number is required when ordering spare parts or making warranty claims. This is on a plate on the inside of the door.

The CE Data plate is found behind the door by the Air Control.



APPLIANCE COMMISSIONING SHEET

To assist us in any guarantee claim please complete the following information:-

Dealer appliance was purchased from:

Name:

Address:

Telephone number:

Essential information - MUST be completed:

Date Installed:

Model Description:

Serial Number:

Installation Engineer:

Company Name:

Address:

Telephone number:

Commissioning Checks - to be completed and signed:

Is flue system correct for the appliance:	YES <input type="checkbox"/>	NO <input type="checkbox"/>
Flue swept and soundness test complete:	YES <input type="checkbox"/>	NO <input type="checkbox"/>
Smoke test completed on installed appliance	YES <input type="checkbox"/>	NO <input type="checkbox"/>
Spillage test completed	YES <input type="checkbox"/>	NO <input type="checkbox"/>
Use of appliance and operation of controls explained	YES <input type="checkbox"/>	NO <input type="checkbox"/>
Clearance to combustible materials checked	YES <input type="checkbox"/>	NO <input type="checkbox"/>
Instruction book handed to customer	YES <input type="checkbox"/>	NO <input type="checkbox"/>
CO Alarm Fitted	YES <input type="checkbox"/>	NO <input type="checkbox"/>
Flue draught Reading (Pa)	HOT <input type="text"/>	COLD <input type="text"/>

Signature: Print Name:

ESSENTIAL INFORMATION

GENERAL	Model: Vogue 700			Vogue 700
	Nominal Heat Output	Wood	kW	7.0kW
	Efficiency	Wood	%	77.0
	CO @ 13% O ₂	Wood	%	0.07
	Weight		Kg	116
	Recommended Fuels	Wood	Seasoned Wood (less than 20% moisture content)	

As tested to the requirements of EN 13229 for intermittent operation

FLUES	Flue/Chimney Size	With Liner of Factory made system (diameter) installed in accordance with manufacturers instructions	mm	153
			inch	6
	Flue/Chimney minimum height	All products	m	3.5
			feet	15
	Flue Draught	Min	Pa	10
		Nominal		12
		Max		20
	Flue Gas Mass Flow	Wood	g/s	5.9
	Average Flue Gas Temperature	Wood	°C	308
	Flue Outlet Size (Top Option)		mm	153
inch			6	

European Min Spec for Solid Fuel Chimney Flue - T400 N2 D 3 G50

VENTILATION	A) Traditionally Built Homes • Where leakage is greater than 5m ³ /hour/m ² . • Ventilation normally required = 550mm ² per kW output over 5kW		B) Modern Construction Homes • Where leakage is less than 5m ³ /hour/m ² . • Ventilation normally required = 550mm ² per kW	
	A	Additional Ventilation	mm ²	1100
			cm ²	11.0
			in ²	41.3
	B	Additional Ventilation	mm ²	3850
			cm ²	38.5
			in ²	151.6

Installation

Registered Professional:

Before installation and/or use of this appliance please read these instructions fully and carefully to ensure that you have fully understood their requirements.

The appliance must be fitted by a registered installer, or approved by your local building control officer.

Structural Support:

If installing on a wooden floor check that the floor joists are strong enough to bear the weight of the insert, chimney and construction parts.

Hearth:

A Constructional Hearth with a depth of 125mm and a 12mm Decorative Hearth Plate must be installed to protect a combustible floor from the risk of falling embers if mounted directly on the floor.

The Decorative Hearth must extend 300mm in front of the hearth and can be made of natural stone, concrete, metal or glass.

Final inspection of the installation:

When it has been installed, the appliance must be commissioned in accordance with standards and practices to ensure full working order and a correct handover given to the customer.

Flue and Chimney

The flue or chimney system must be able to withstanding flue temperatures of up to 400°C.

The external diameter of the connection sleeve is 155mm.

In normal operating mode, draft in the chimney should be 20-25 Pa close to the connection sleeve. The draft is affected primarily by the length and area of the chimney and also by how well sealed it is.

The minimum recommended chimney length is 3.5m and a suitable cross-section area is 150-200cm² (140-160 mm in diameter).

Sharp bends and horizontal lengths in a flue pipe reduce the draft in the chimney.

It must be possible to sweep the full length of the flue, and the soot doors must be easily accessible.

Carefully check that the chimney is sealed and that there is no leakage of smoke from the connections.

Combustion Air Supply

When the appliance is installed, it is essential to ensure adequate air is supplied to the room. Air can be provided indirectly via a vent in the outer wall or via a duct from the outside that connects to the sleeve on the underside of the insert. The required volume of combustion air is about 20 m³/hour.

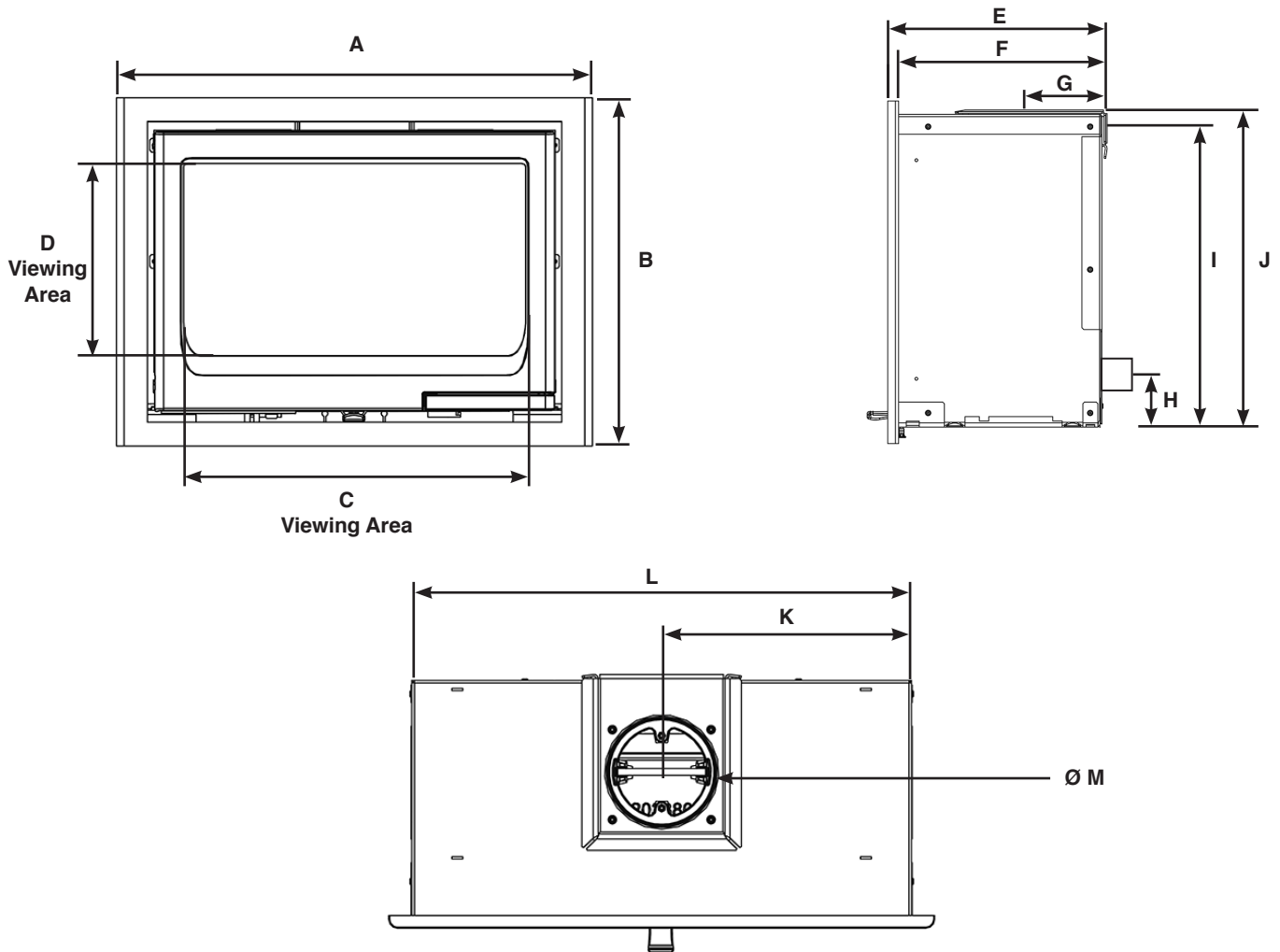
The outer diameter of the combustion air connection sleeve is 65mm.

If a pipe is longer than 1 m, its diameter must be increased to 100mm and a larger wall vent will be required.

In heated spaces, the flue must be insulated to prevent condensation using 30mm mineral wool covered with a vapour barrier. The hole in the wall (or floor) at the exit point must be properly sealed with flue jointing compound.

A flexible pipe to provide external directly into the appliance is available and must be fitted at the time of installation.

VOGUE 700 DIMENSIONS



Description	Model	A	B	C	D	E	F	G	H	J	K	L	M
Vogue 700	323-007	802	586	576	324	363	346	143	76.5	542	368	736	155

All dimensions in mm. (25.4 mm = 1")

CLEARANCE DIMENSIONS

FLUE CLEARANCES

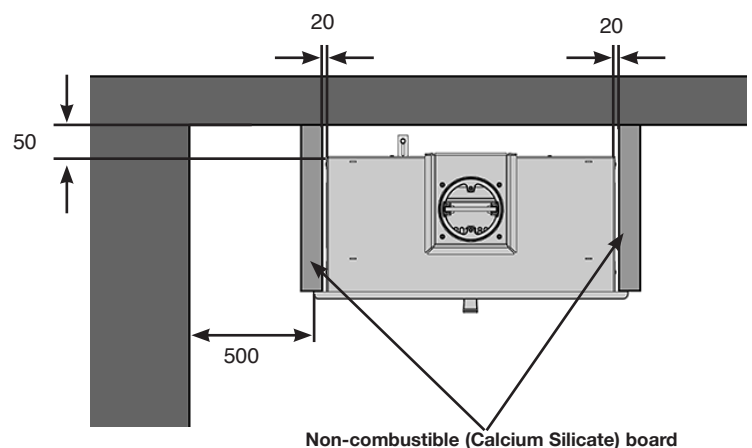
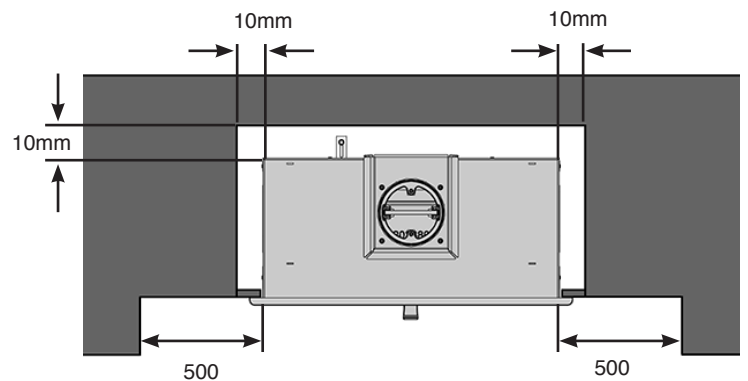
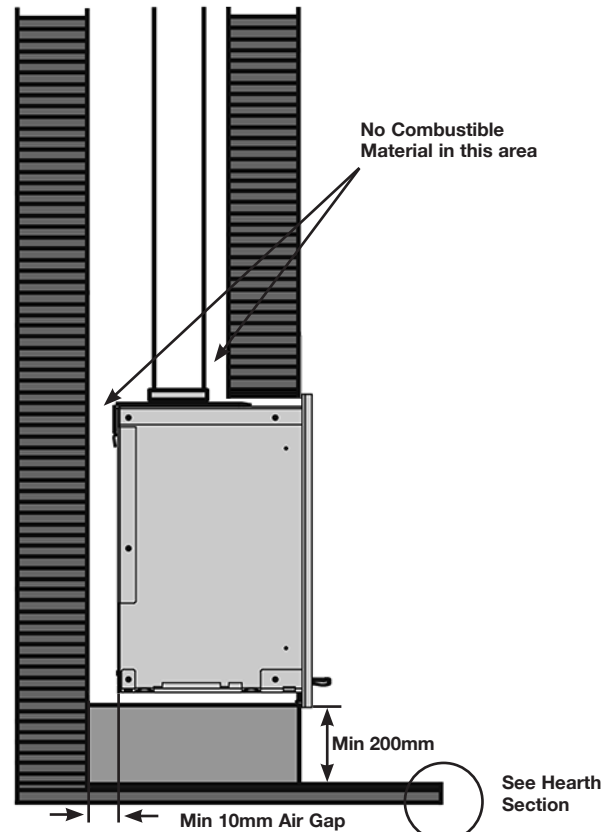
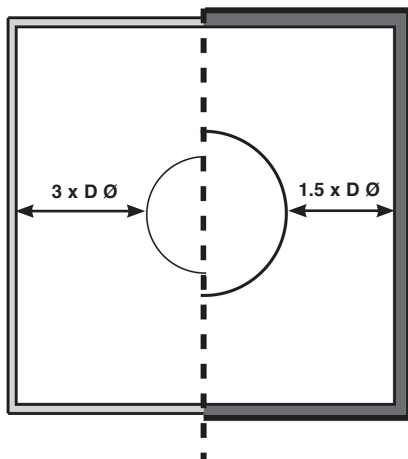
Make sure that the connected flue system is positioned at a reasonable distance from any combustible material.

Stovax recommend the use of a flue liner when installing into a masonry chimney. Alternative methods can be used if the chimney is sound and correctly sized, however access may be required to make an effective seal - ie Using a sump adapter.

Stovax recommend using an approved twin wall insulated chimney system when installing within studwork.

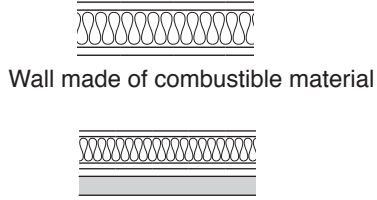
MASONRY/NON-COMBUSTIBLE INSTALLATION

Unprotected Combustible Material Protected Combustible Material

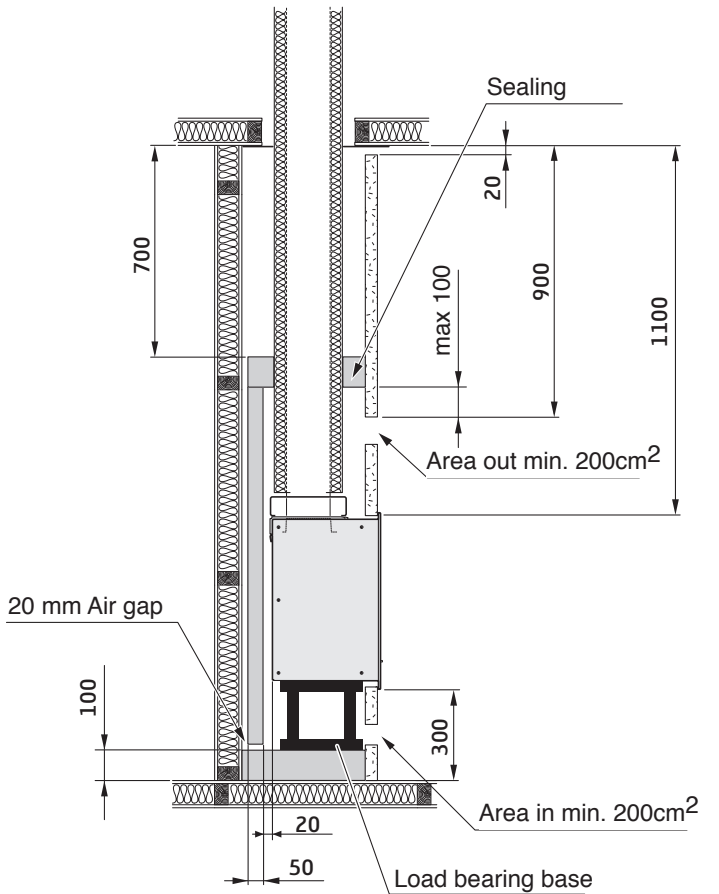
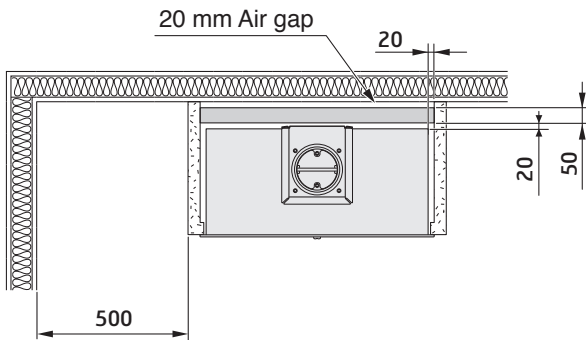
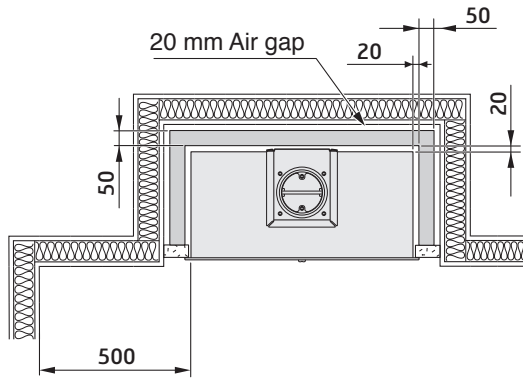
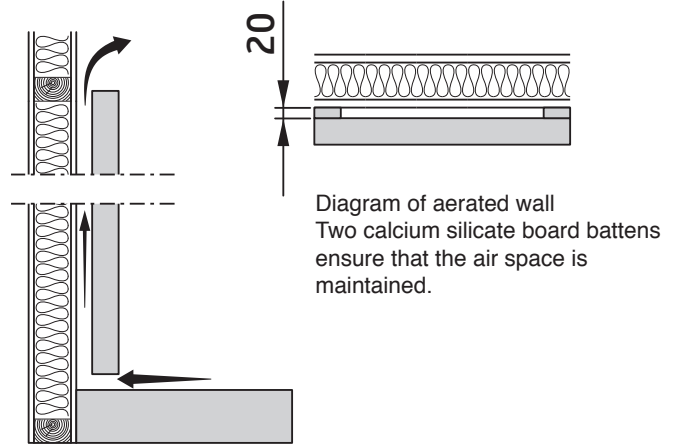


CLEARANCE DIMENSIONS

MINIMUM DISTANCE TO COMBUSTIBLE MATERIAL

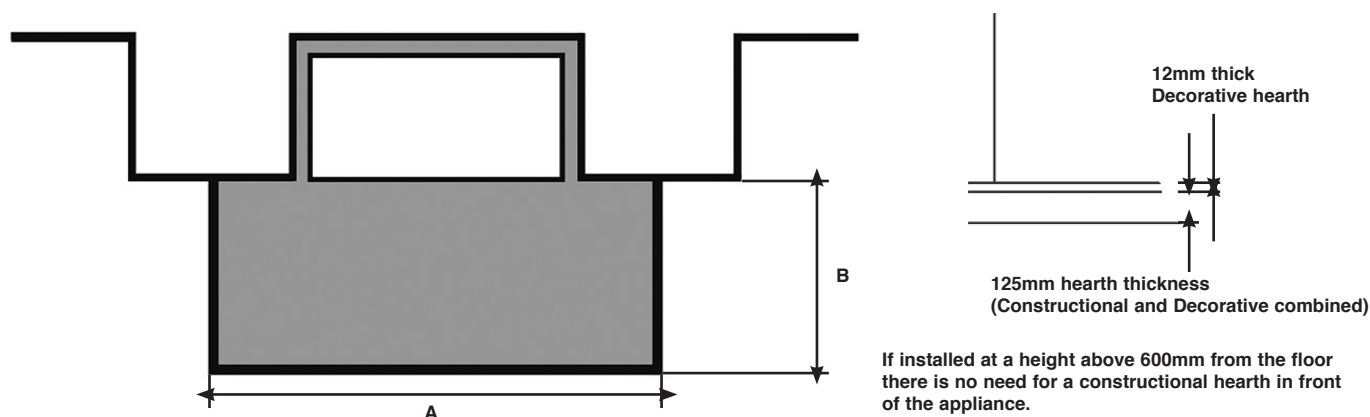


Aerated wall, comprising at least a 50 mm calcium silicate board and an air space. There must be a 20 mm air space between the building board and the combustible wall. The air space must allow air to flow freely along the lower and upper edges (see diagram to the right).



To achieve these distances all combustible material must be covered with non-combustible material such as Calcium Silicate Board or removed from the area.

HEARTH DIMENSIONS



Dimension	A (Min)	B
Vogue 700	1775	300



*Stovax recommends that the depth of the Decorative Hearth is equal to or greater than the height of the appliance from the floor, OR, the length of the door from the wall when in the open position.
USE WHICHEVER FIGURE IS GREATER.

GENERAL INFORMATION

Installing the Appliance

Each installation is unique to the property so it is not possible to give details to suit every setting.

The installation must comply with Building Regulations and be made using "best practice" construction methods.

Take care when installing the appliance. Careless handling and use of tools can damage the finish and/or area.

There are 2 types of installation for this appliance:

1. Studwork Installation
2. Fitting to a Masonry Chimney

Appliance Location

This appliance sits in a recess, all nearby walls that are not classed as fire walls or are considered unsuitable for exposure to heat must be protected by non-combustible building material in accordance with the specifications below.

Seal all joints in the non-combustible material using the method recommended by the manufacturer.

Ventilate the space between the insert and the recess as specified in these instructions.

Refer to the manufacturer's installation instructions when connecting the chimney system ensuring that the distance to combustible materials are maintained.

Ensure all combustible materials are not placed closer than 1m from the front of this appliance.

The appliance must be installed with clearance to the building material, not in direct contact with it, to allow for thermal expansion of the insert.

Ventilation

Do not pack the void around or above the appliance with insulation materials such as mineral wool or vermiculite.

The void built for the cassette must be ventilated to prevent a build up of heat. If the void is sealed then you must fit vents at both low and high levels of approximately 20cm² each. These vents must take cold air from the room and return warm air back into the room.

An access hatch must be left in the side of the chimney breast for future servicing and inspection of the flue and appliance.

Building Materials

Stovax recommend building the enclosure from the following materials:

Metal Studwork

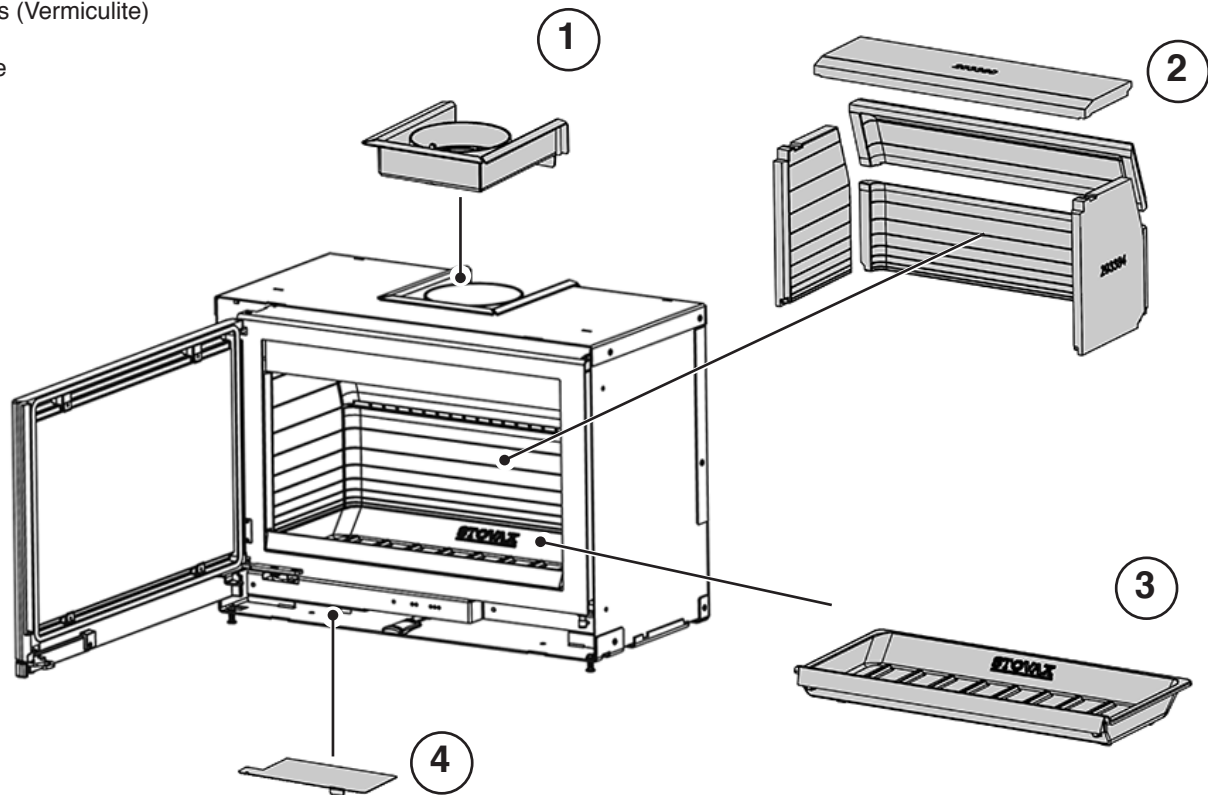
Non-combustible board: Calcium Silicate Board - NOT PINK BOARD

Heat Resistant Plaster: Purimacho (any spider cracks that develop after installation will need to be rubbed down and refilled with Purimacho heat resistant filler to stabilise).

Ensure all distances to combustible materials are maintained

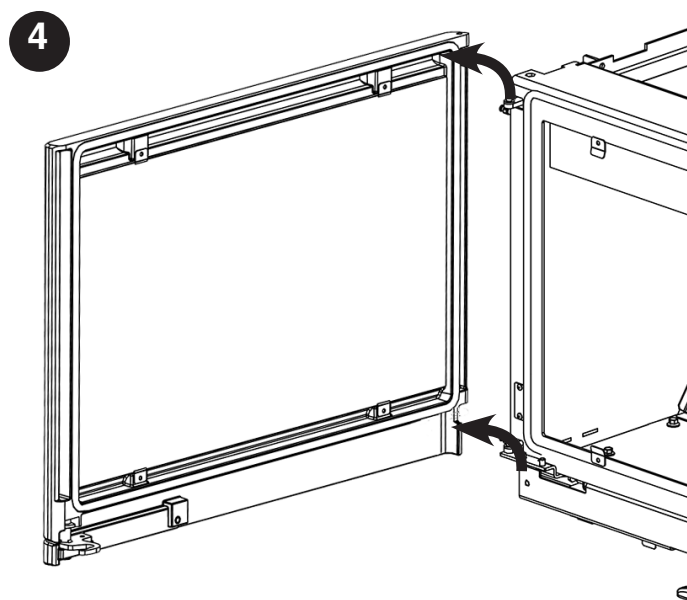
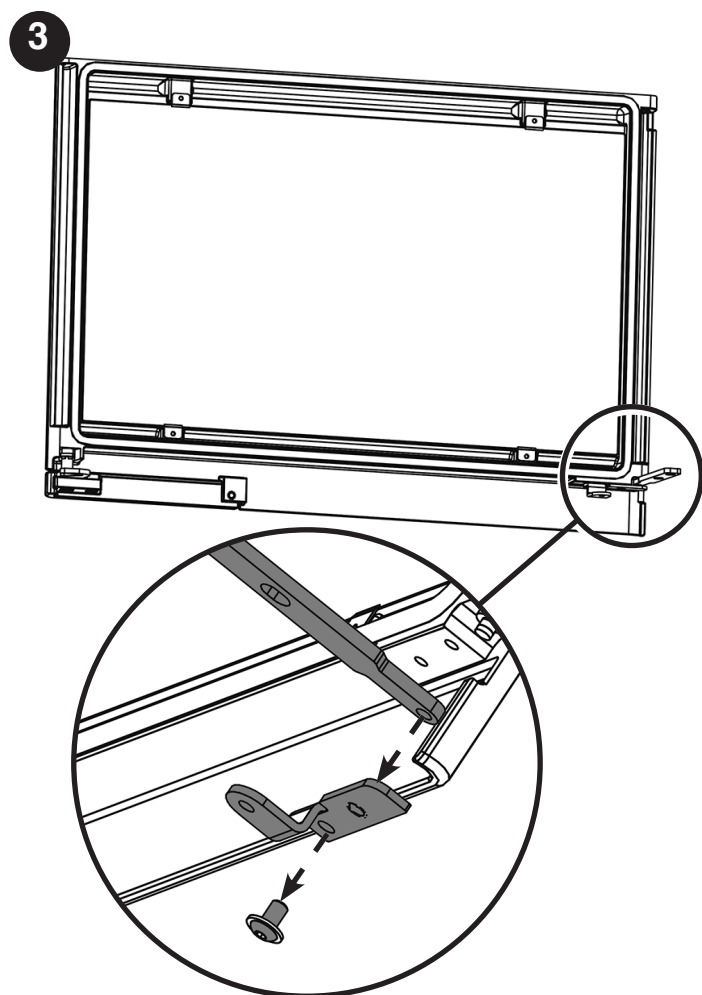
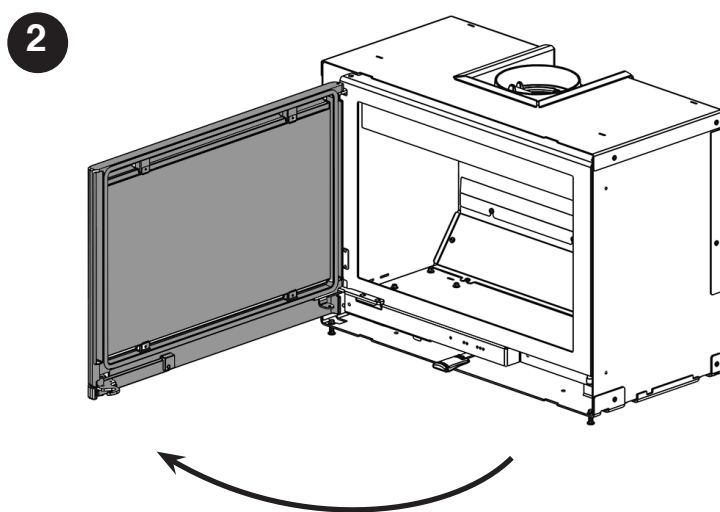
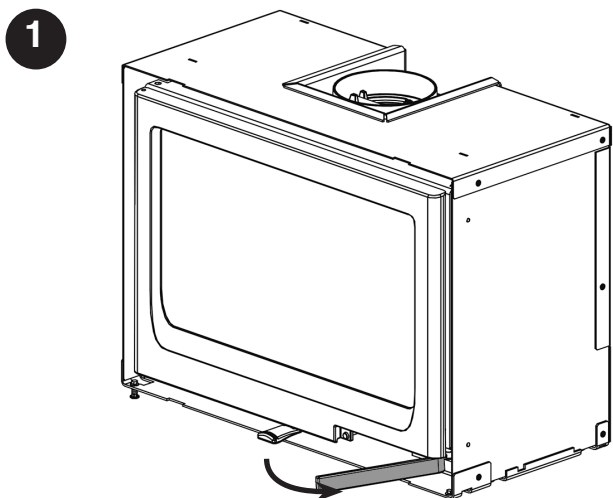
PARTS IDENTIFIER

1. Flue Connector
2. Firebricks (Vermiculite)
3. Grate
4. Dataplate



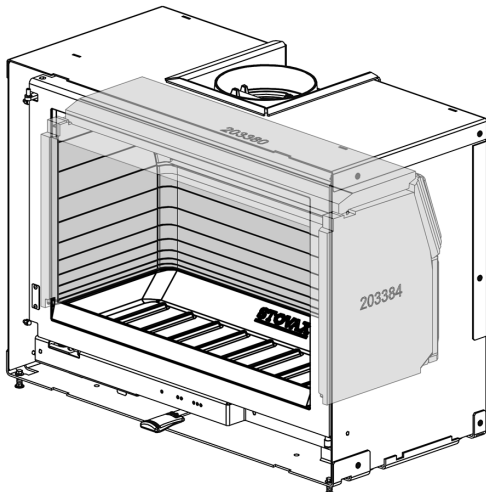
To make the installation of the appliance easier it is best to remove the internal components before fitting into the builders opening/studwork.

PRE-INSTALLATION

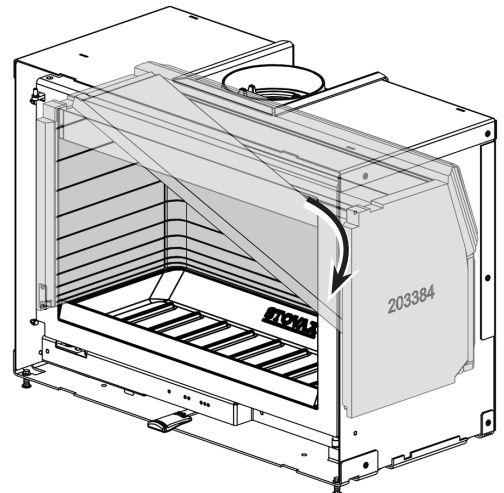


PRE-INSTALLATION

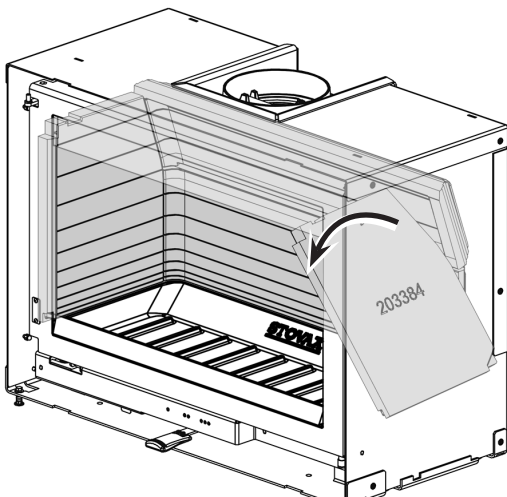
5



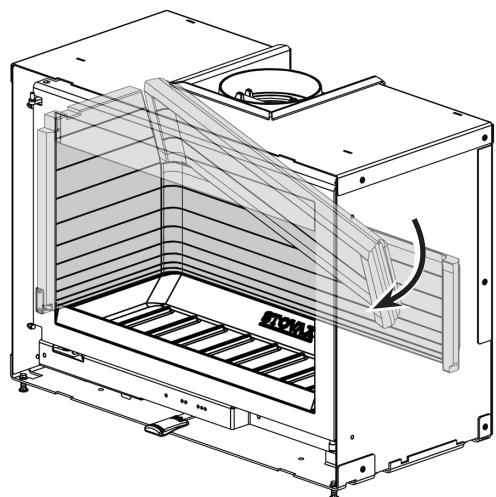
6



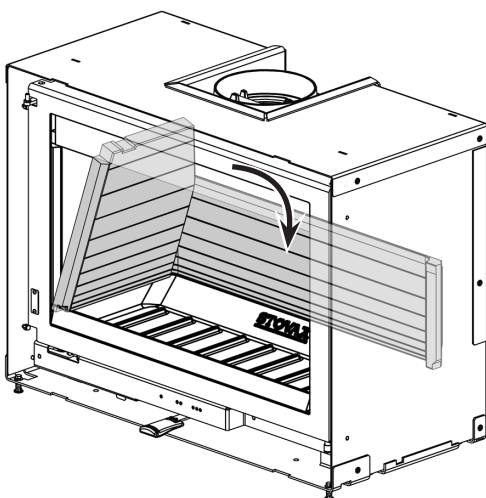
7



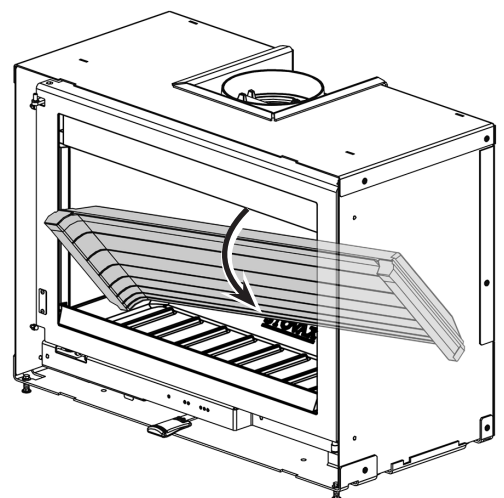
8



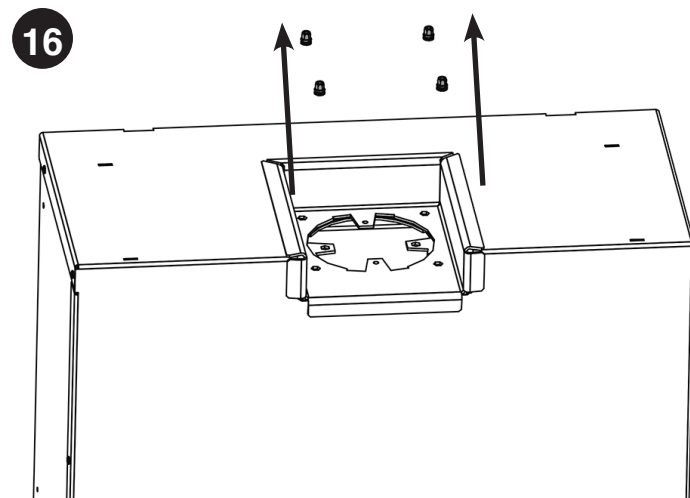
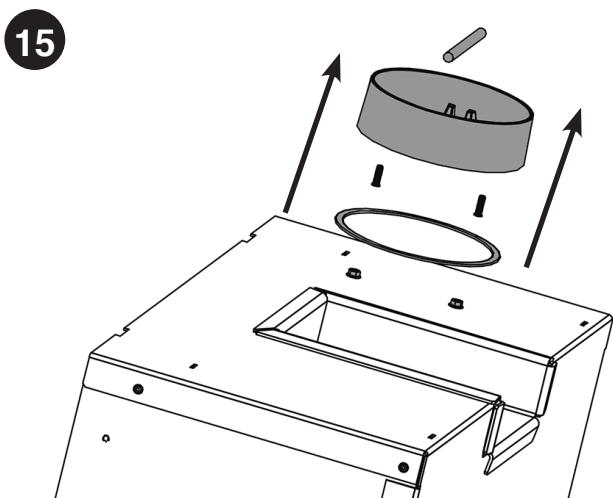
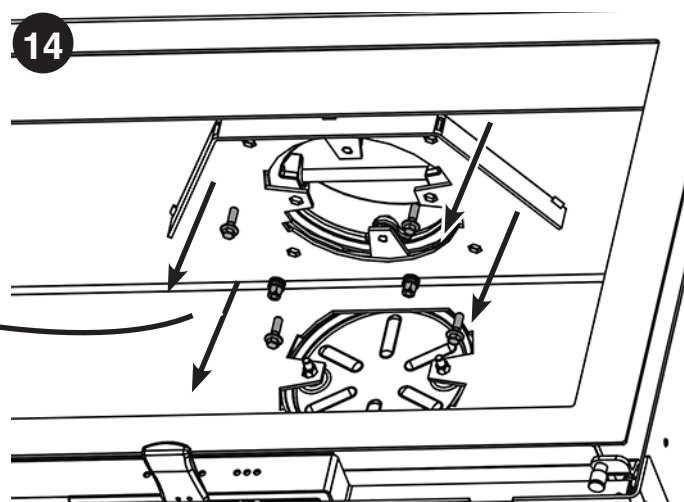
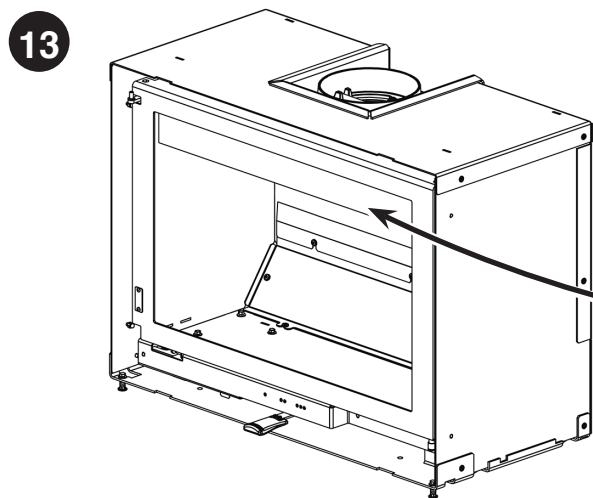
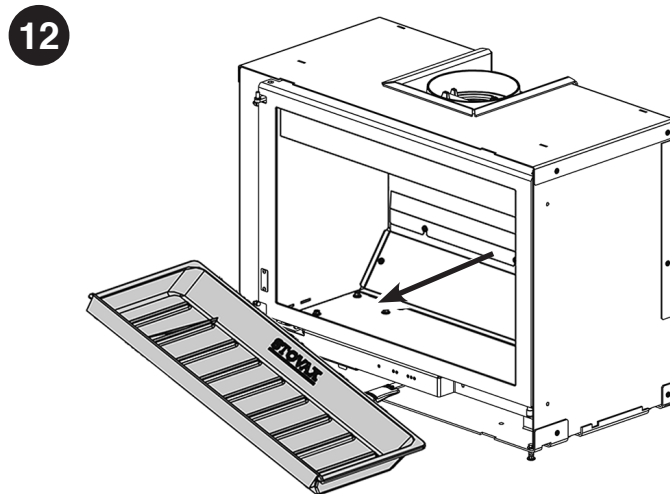
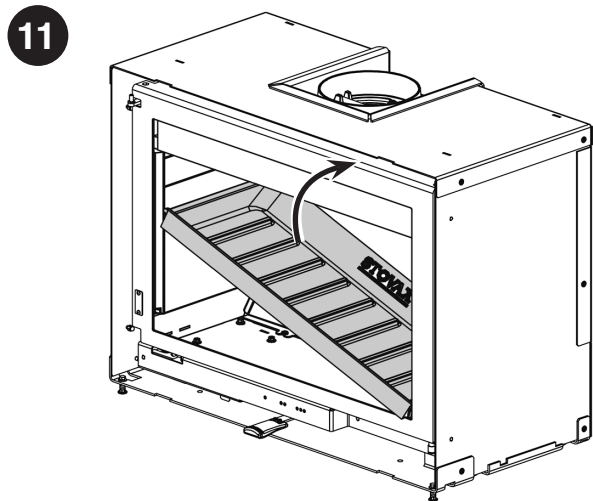
9



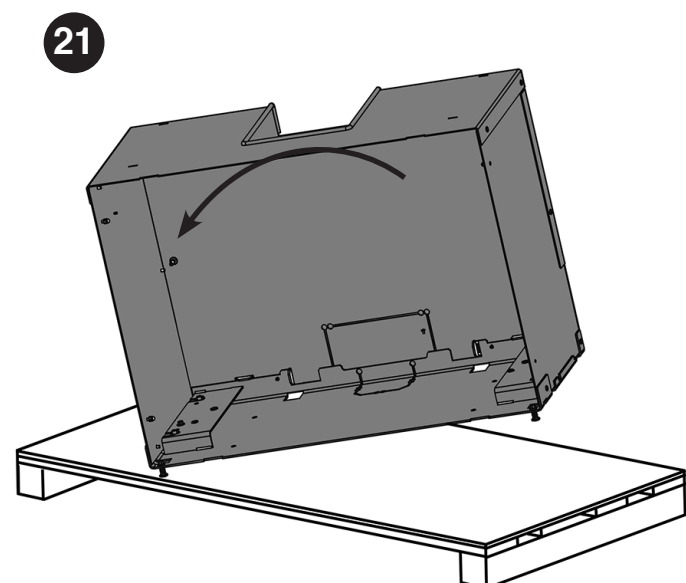
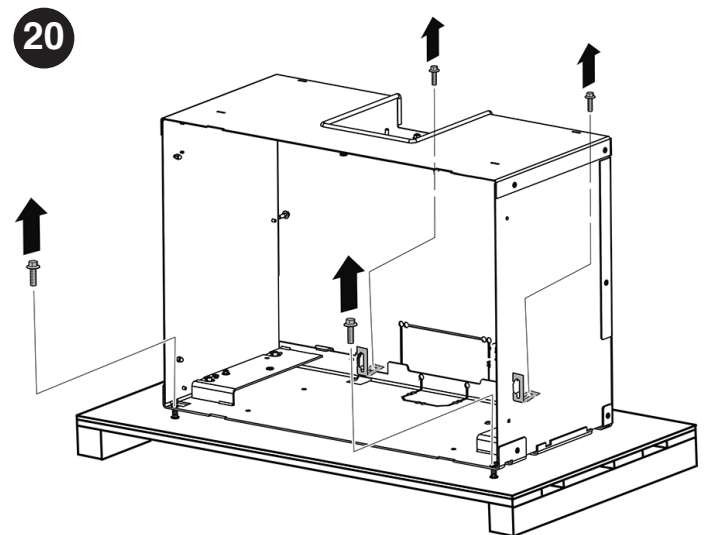
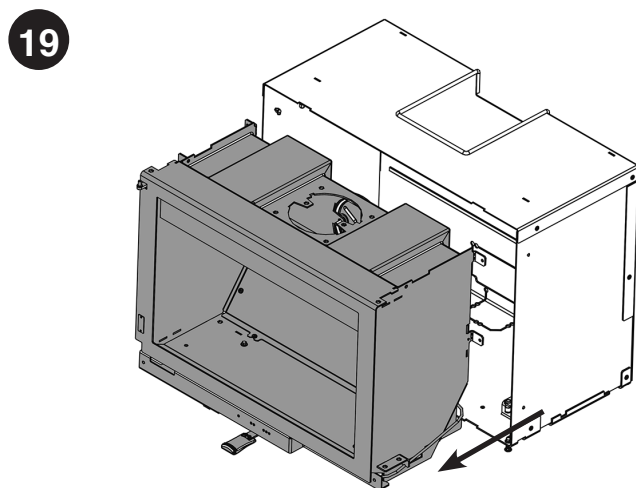
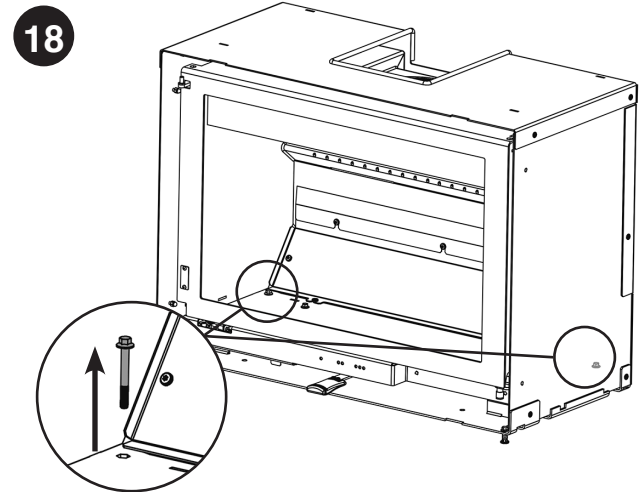
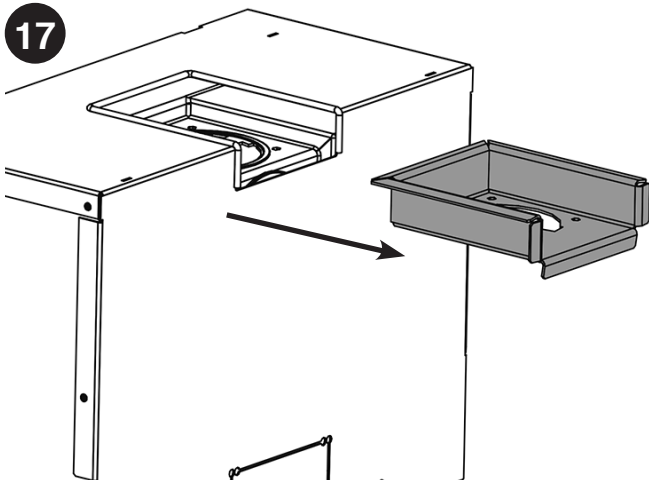
10



PRE-INSTALLATION



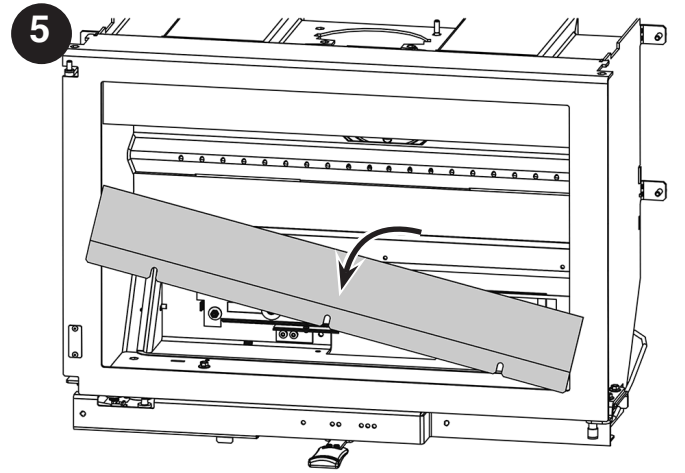
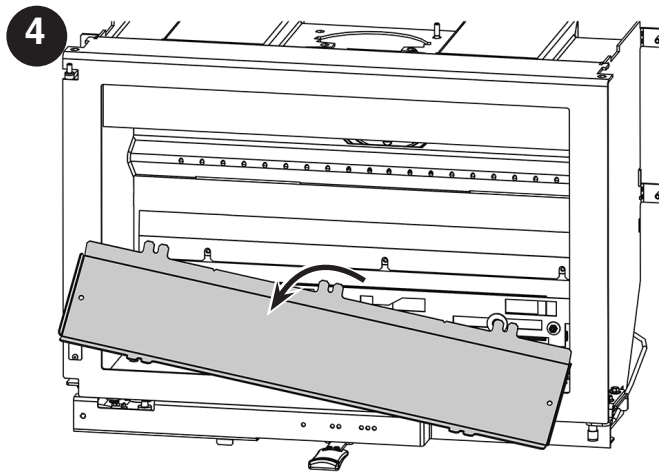
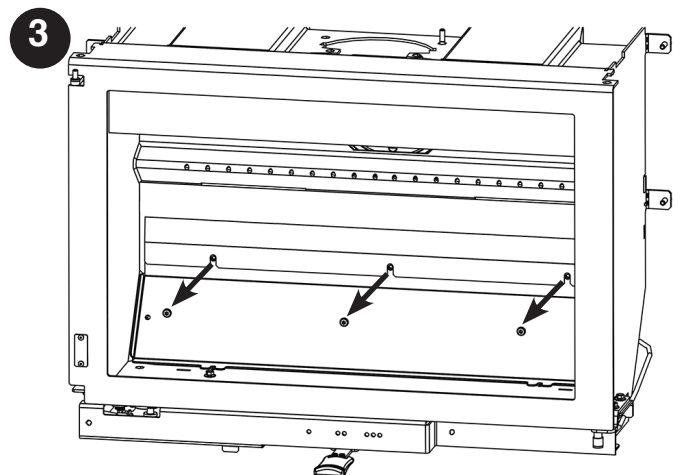
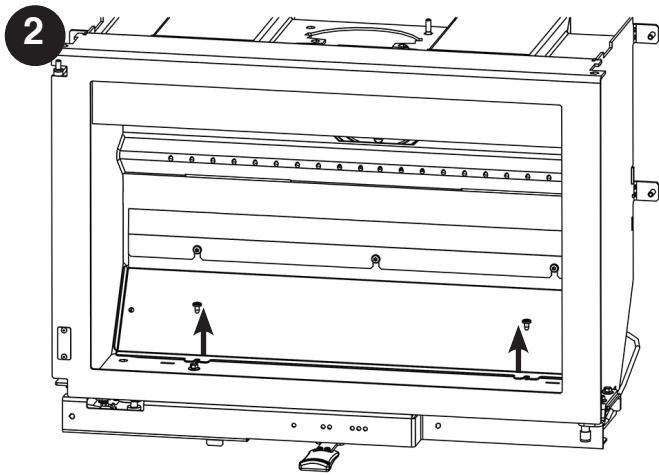
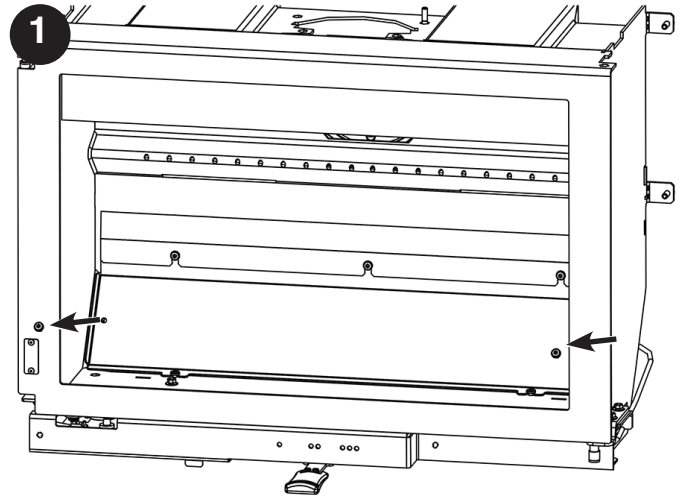
PRE-INSTALLATION



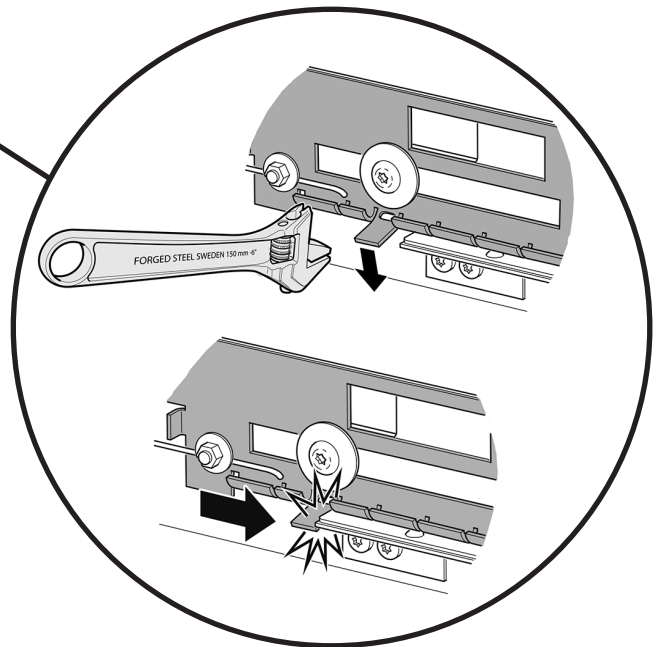
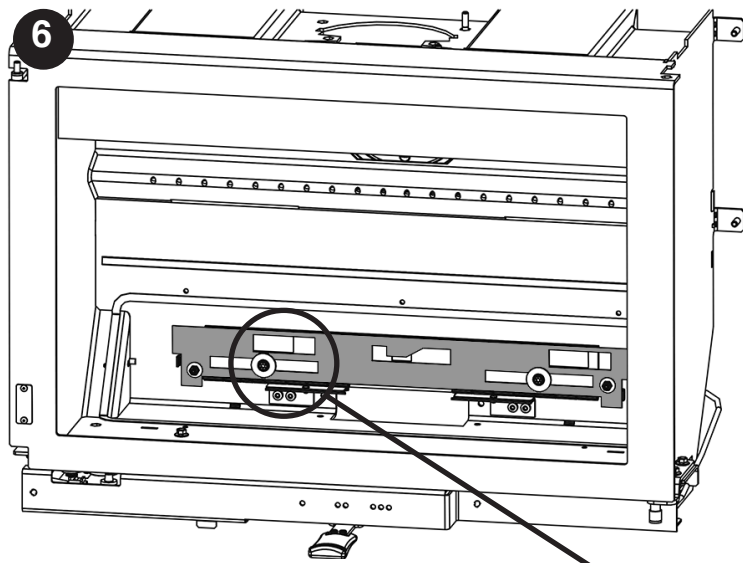
SMOKE CONTROL AREA SETTINGS

Mandatory for smoke control areas

i **IMPORTANT:**
 The Vogue 700 has been recommended as suitable for use in Smoke Control Areas when burning wood logs and operated in accordance with the User Instructions.
 The permanent stop must be installed if the appliance is to be used in a Smoke Control Area.
 This stop must not be removed otherwise an offence will be committed if the appliance is used without the permanent stop in place.

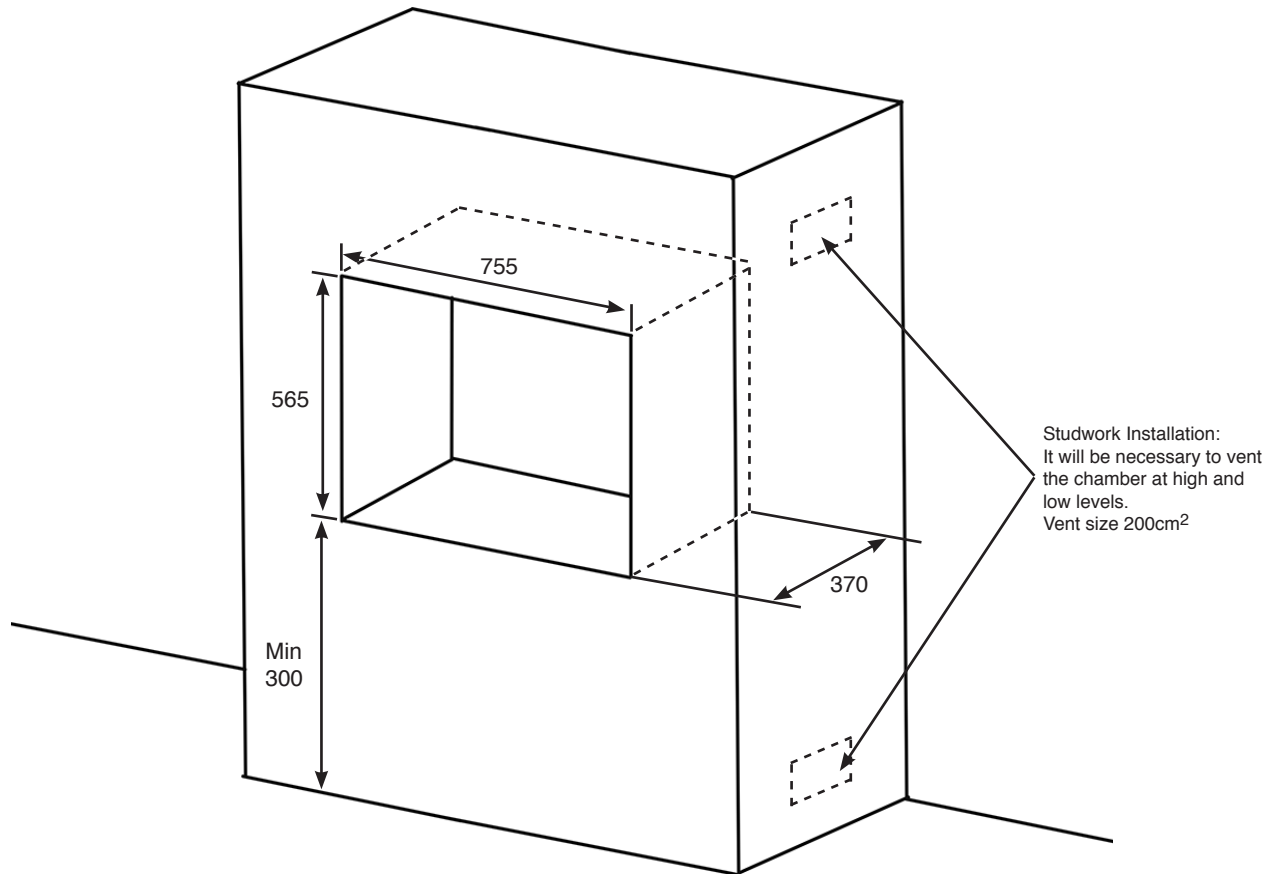


SMOKE CONTROL AREA SETTINGS



INSTALLATION

BUILDERS OPENING



MASONRY INSTALLATIONS

The Vogue 700 is designed to be installed in existing approved open hearths or studwork chimney breasts. There must be an 10 mm air gap around the insert, to allow for the expansion of the insert when hot.

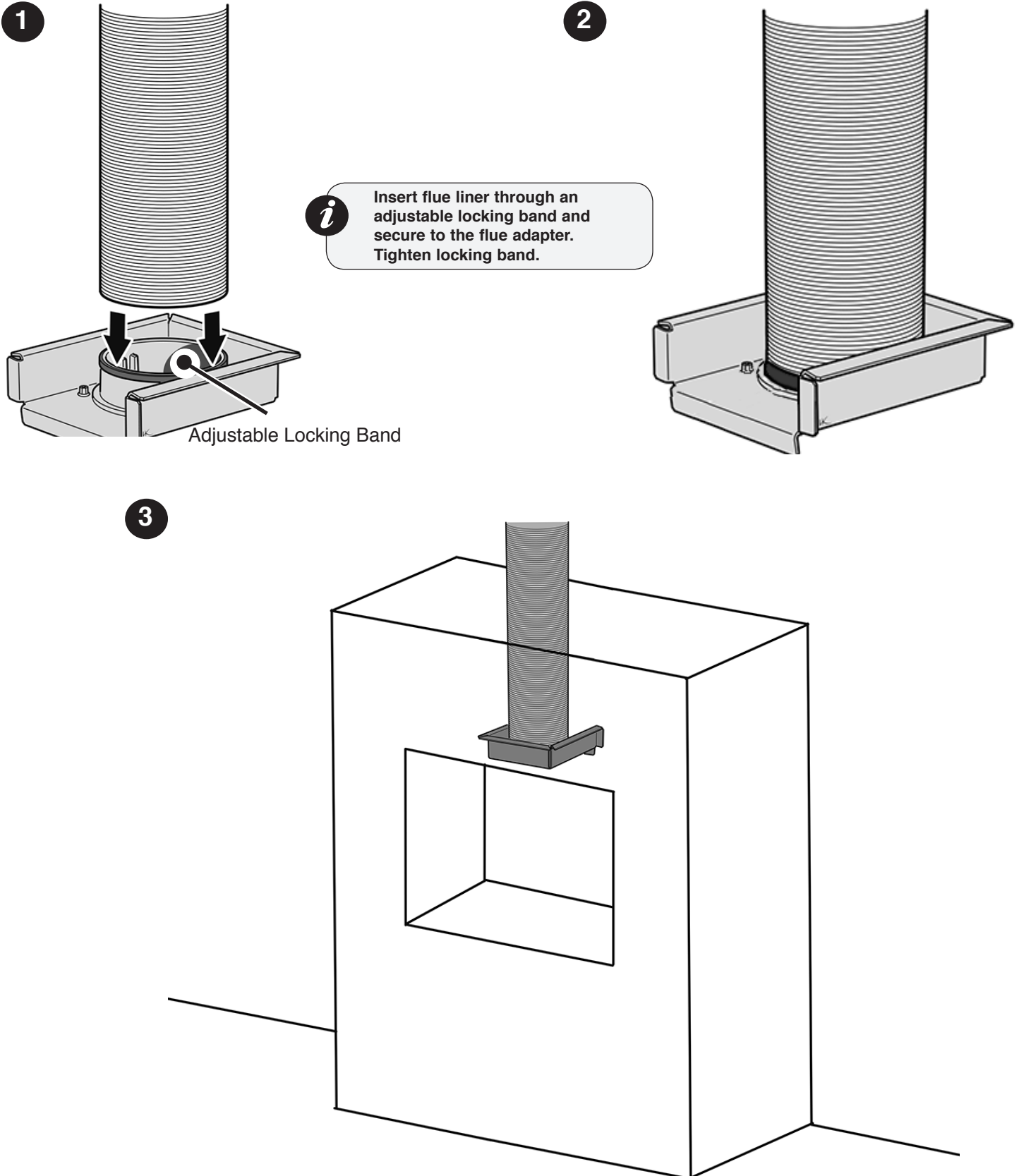
Build the chimney breast to support the cassette.
Ensure all clearances to combustible material are maintained, see Clearance Section.
To prevent cracking ensure no joints above the appliance.

STUDWORK INSTALLATIONS

Ensure all clearances to combustible materials are maintained.
Line a recessed chamber with Silicate Board to the sides and rear (see Clearance section).
Fit vents at high and low levels with a minimum area of 200cm².

INSTALLATION

ALL INSTALLATIONS

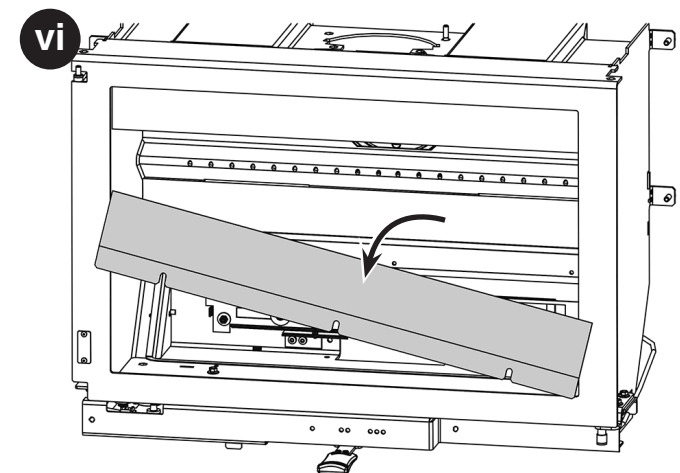
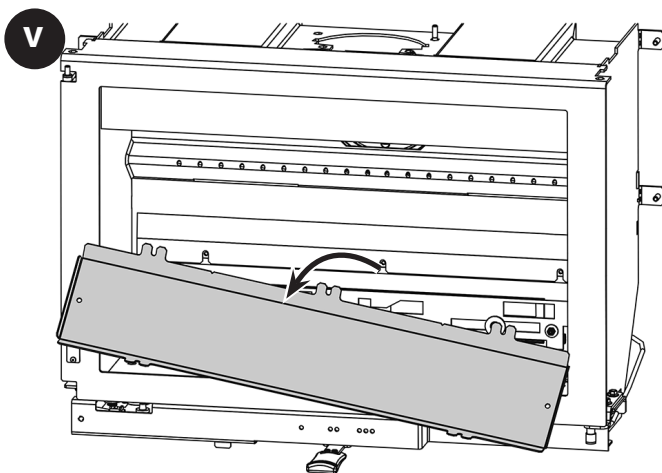
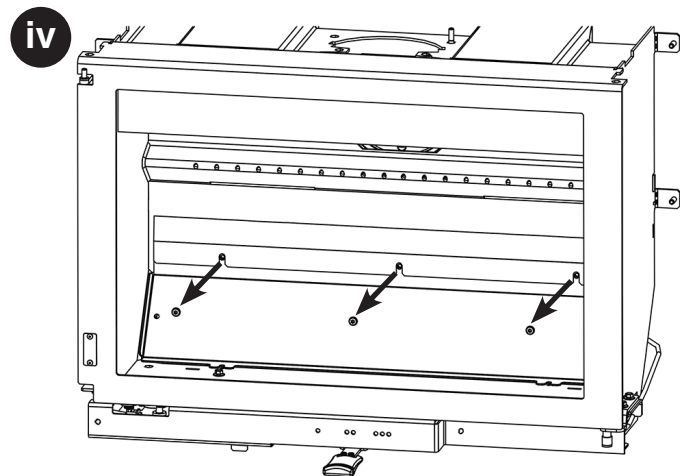
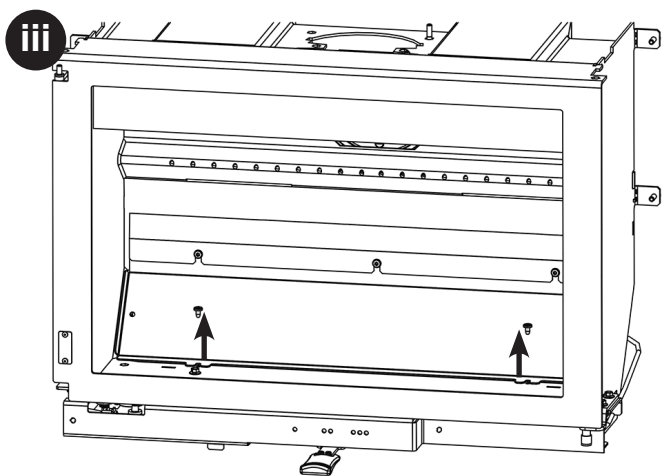
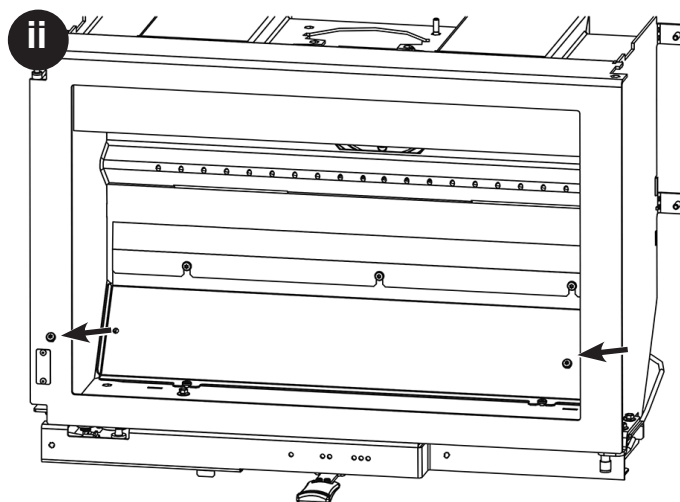
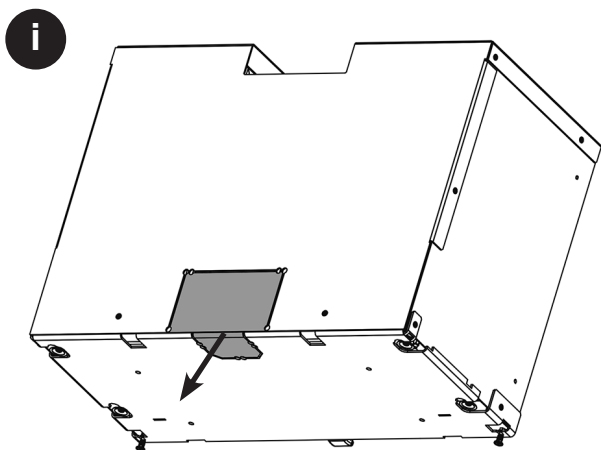


INSTALLATION

EXTERNAL AIR KIT

Stovax Part Number: 323-900

The following steps must be done prior to installation to use the Vogue 700 with a Stovax Dedicated External Air Kit.

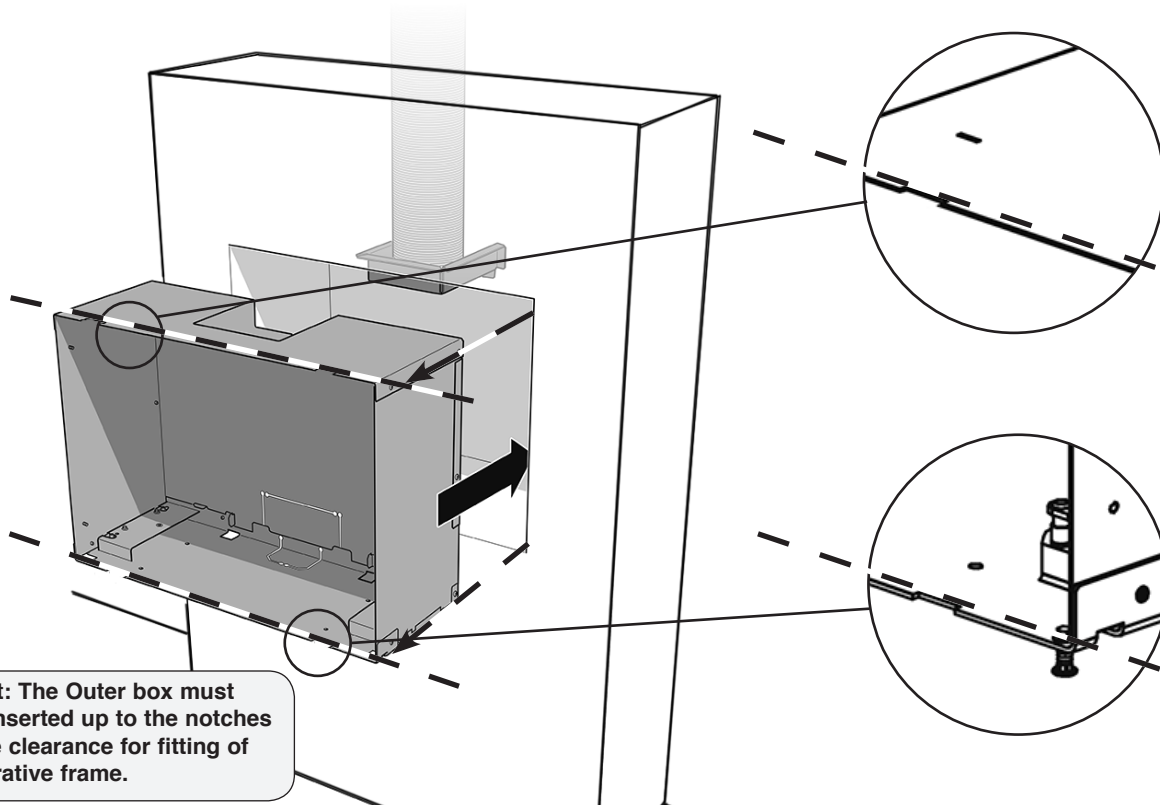


INSTALLATION

ALL INSTALLATIONS

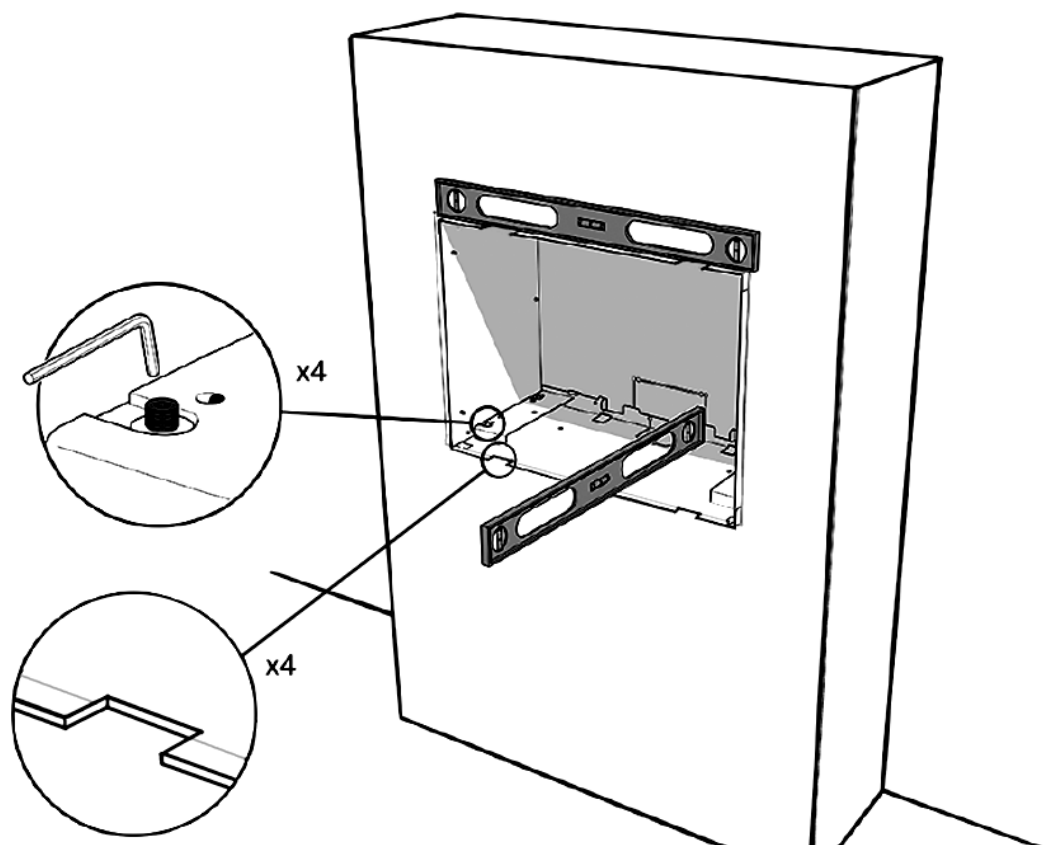
i NOTE: Rear knockout panels must be removed before installation with a Dedicated External Air Kit.

4



i Important: The Outer box must only be inserted up to the notches to ensure clearance for fitting of the decorative frame.

5

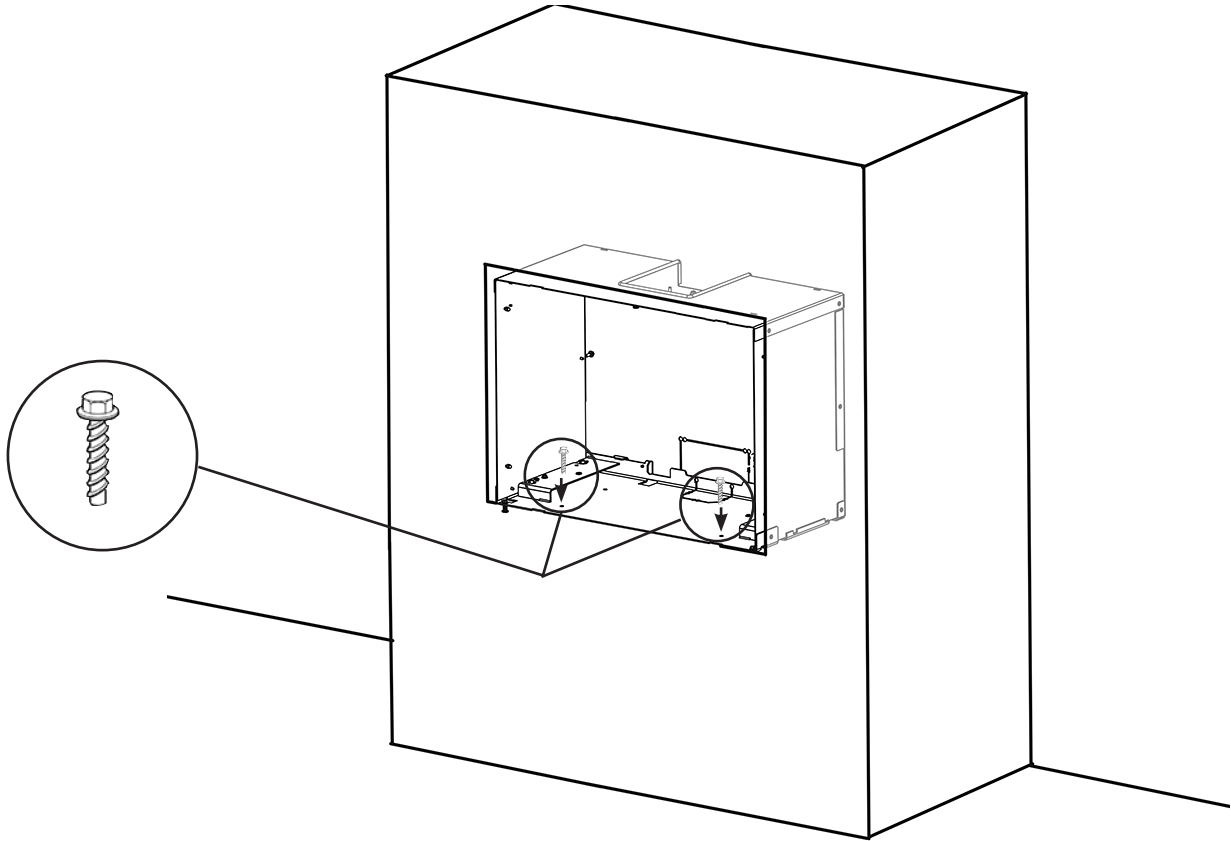


INSTALLATION

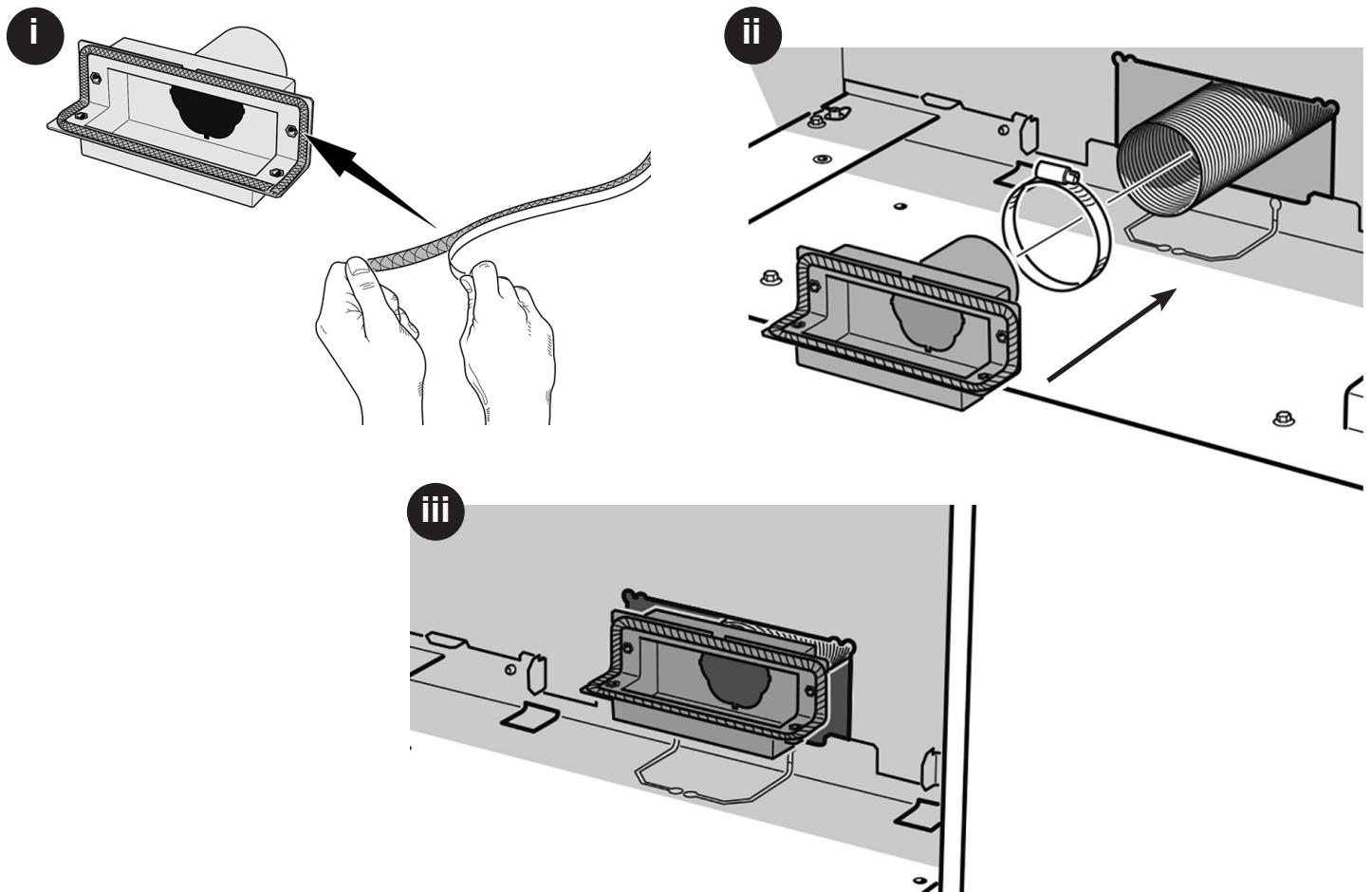


NOTE: Rear knockout panels must be removed before installation with a Dedicated External Air Kit.

6

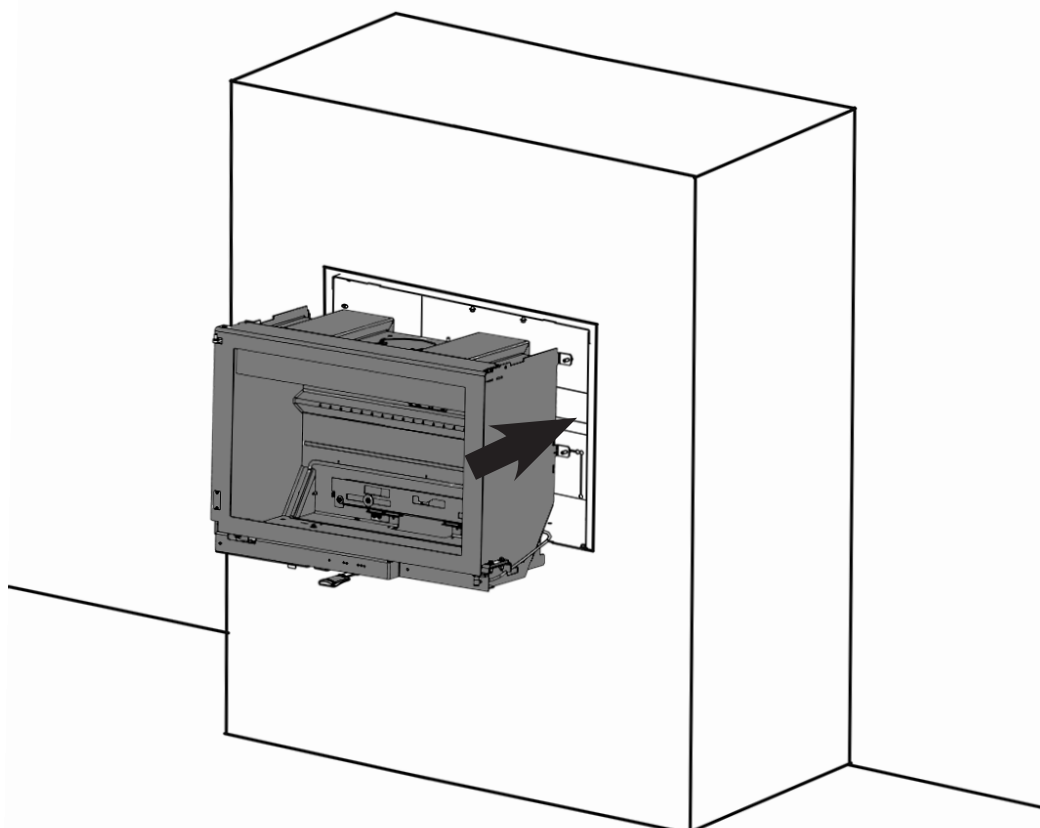


EXTERNAL AIR ADAPTER INSTALLATION

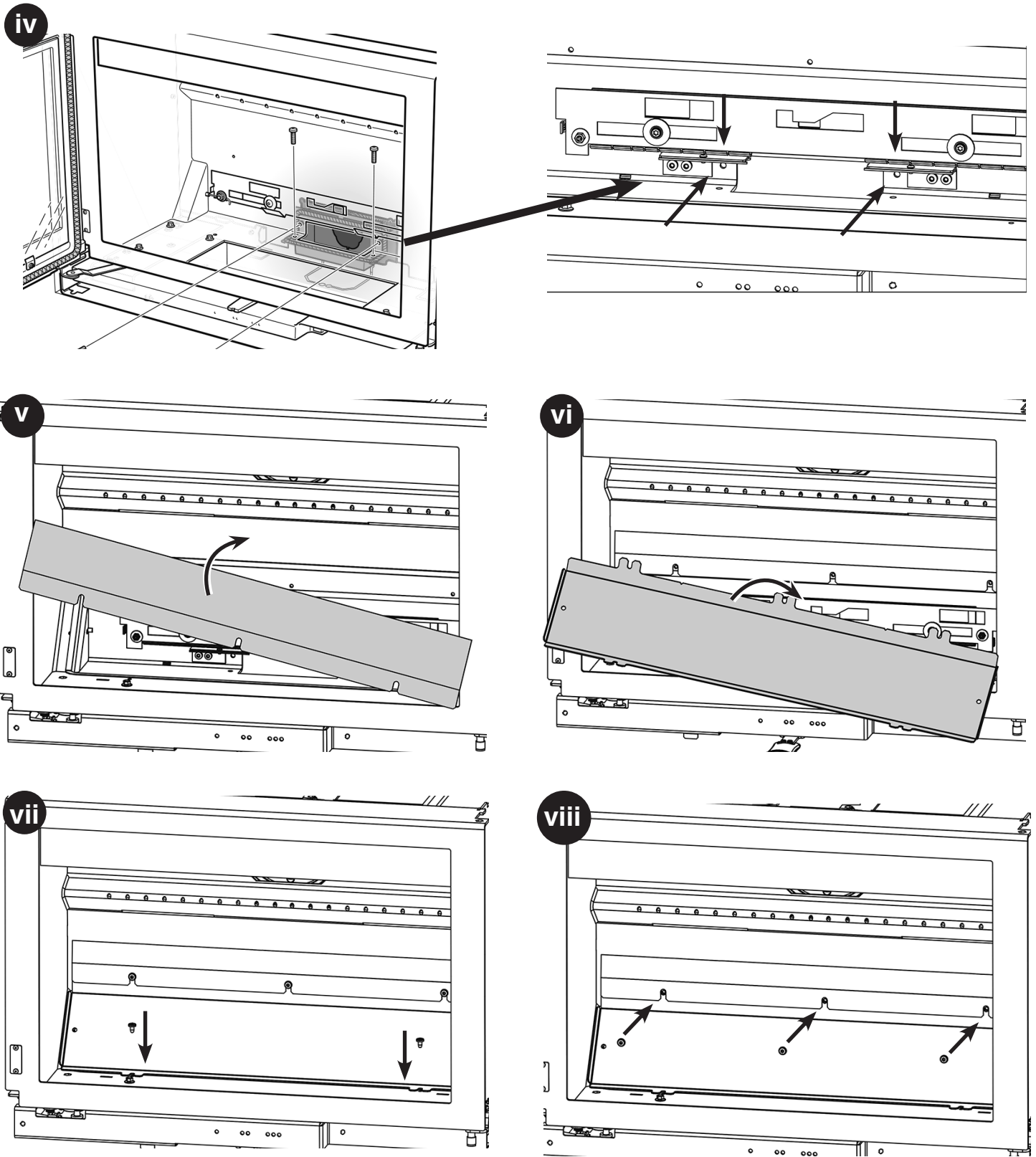


ALL INSTALLATIONS

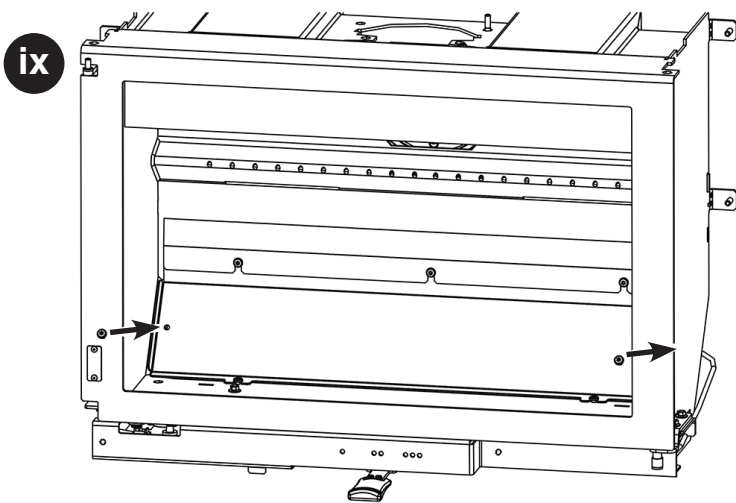
7



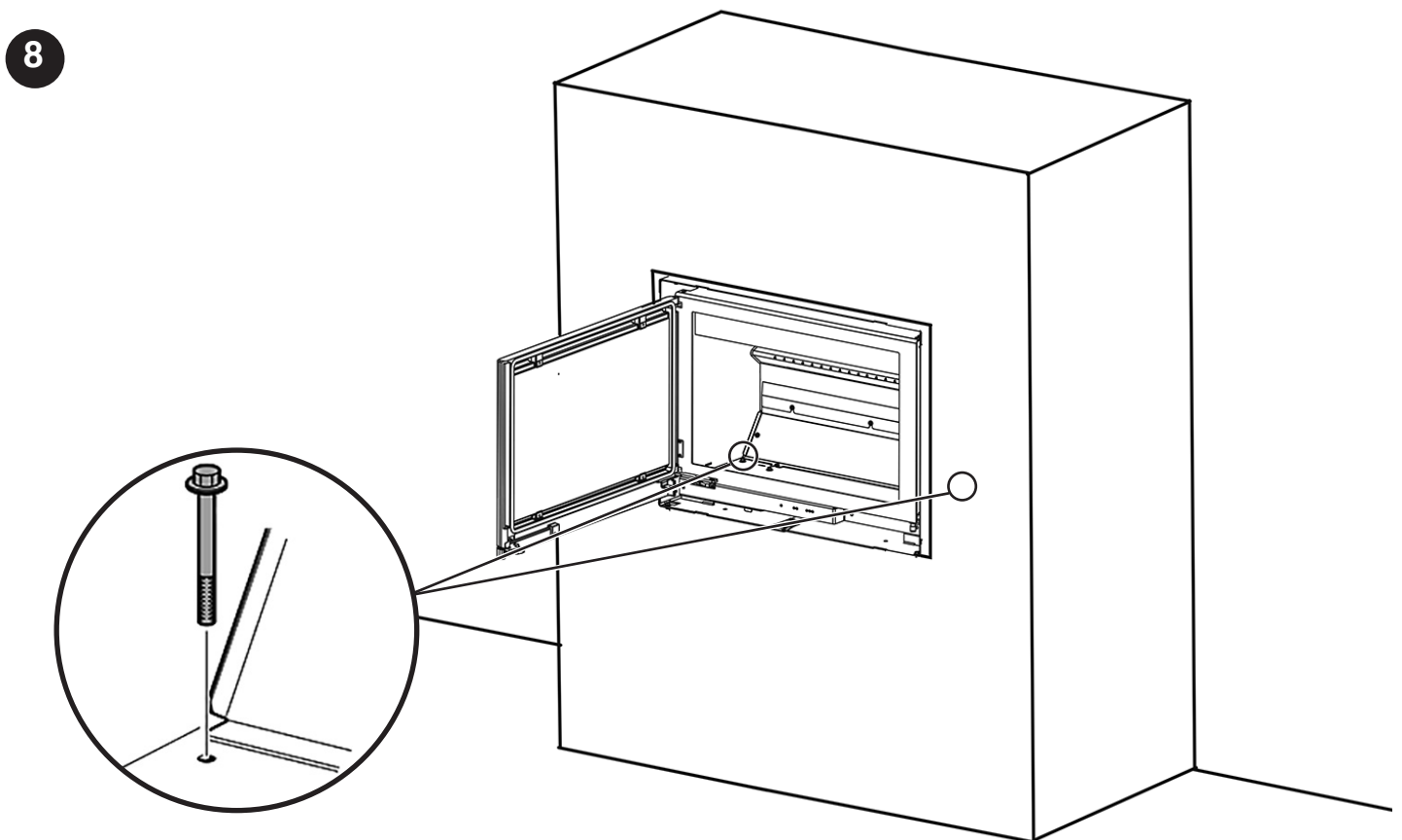
EXTERNAL AIR ADAPTER INSTALLATION



INSTALLATION

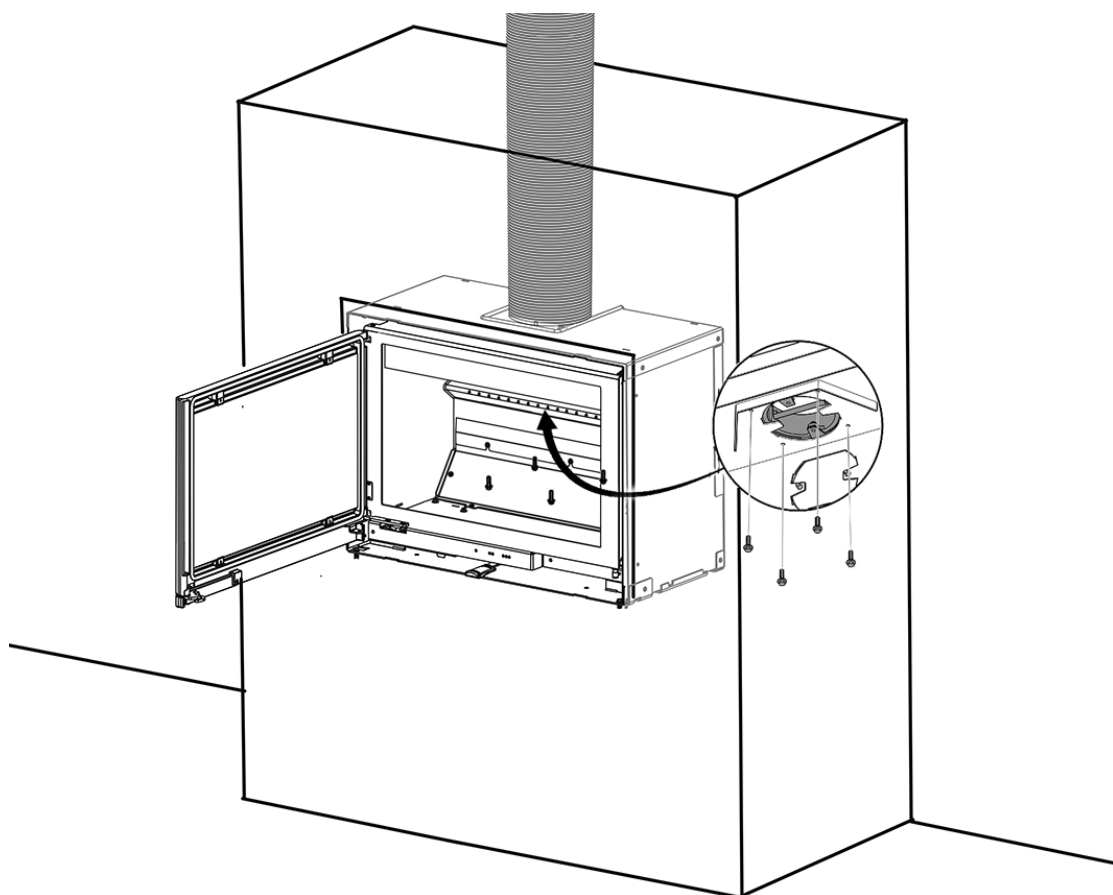


ALL INSTALLATIONS

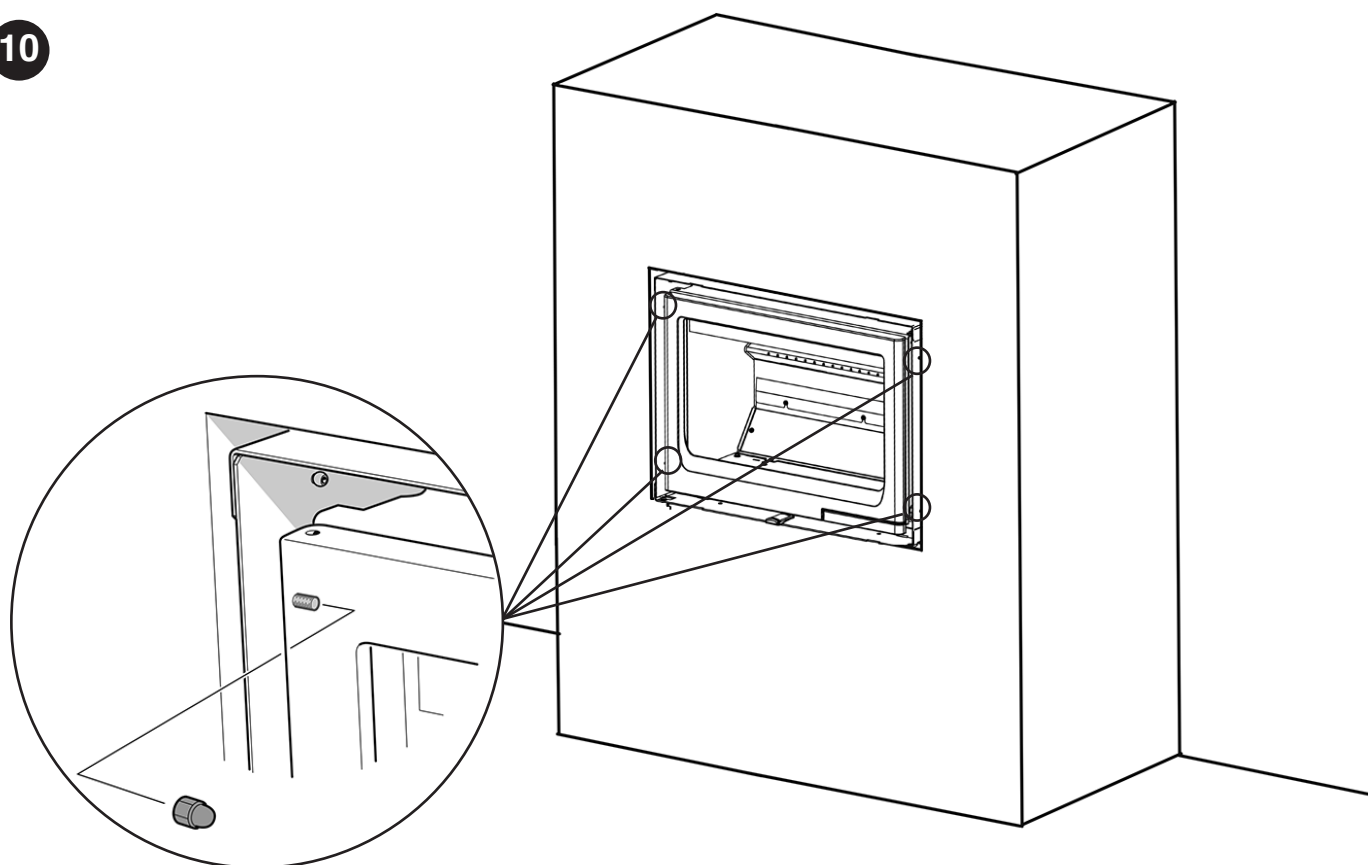


INSTALLATION

9

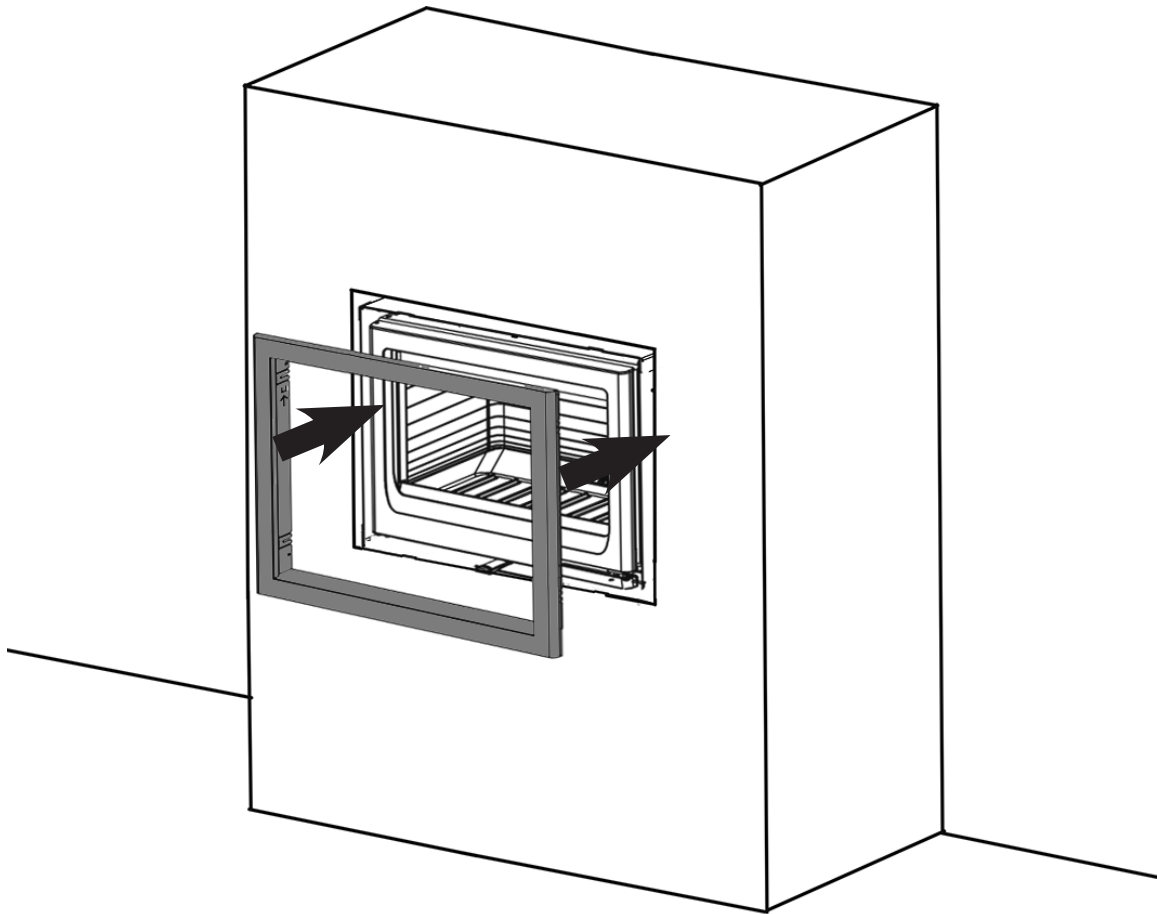


10

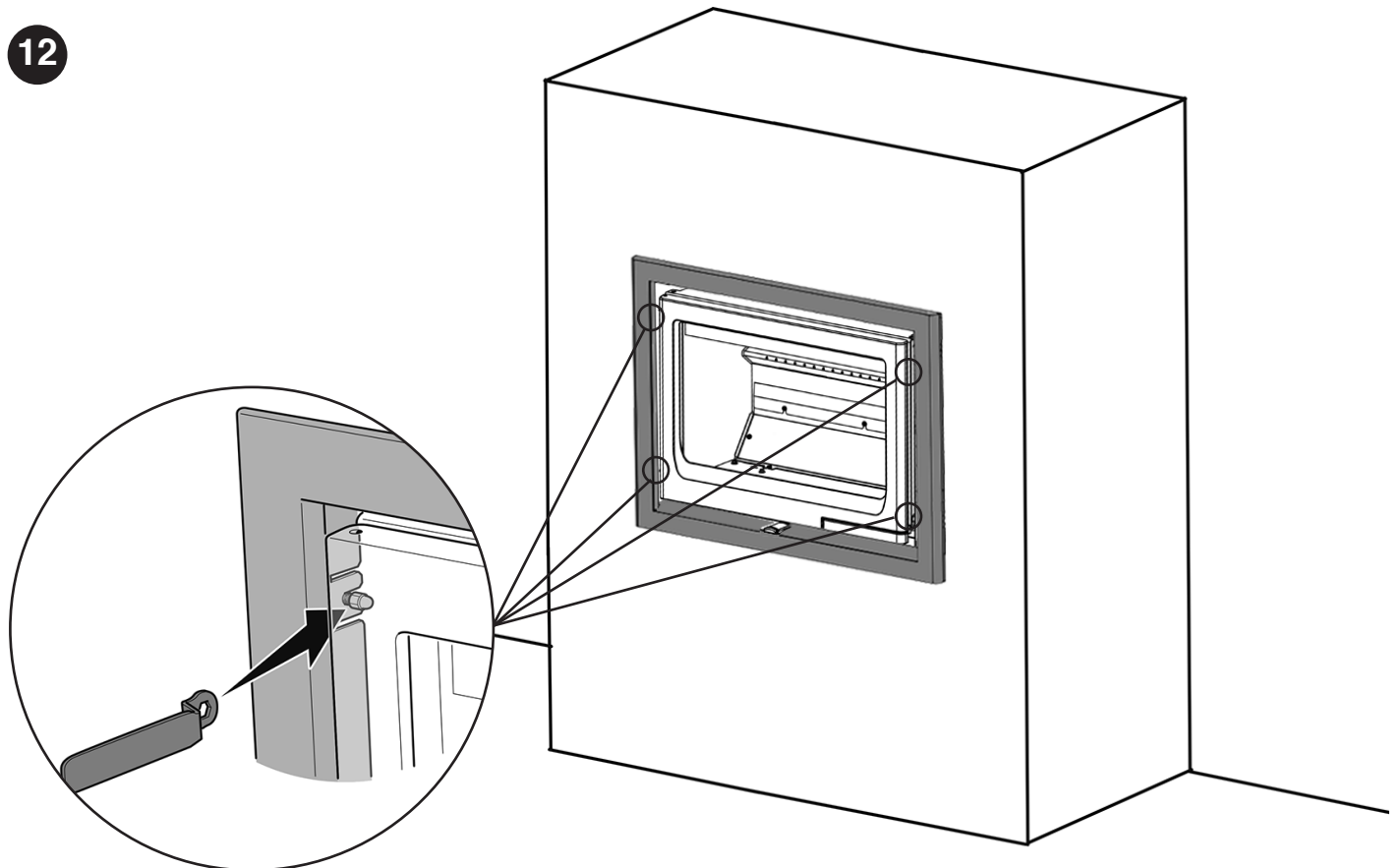


INSTALLATION

11



12



COMMISSIONING

To commission:

- Replace the internal components.
- Check the door alignment and catch operation and adjust if required.
- Check the soundness of door seals, castings and joints.
- Check the operation of the air controls.

Now carry out a final smoke draw test:

- Warm the flue with a blowlamp, or similar, for about 10 minutes.
- Place a smoke pellet on the centre of the grate, with the air controls open.
- Close the door. Smoke should now be drawn up the flue and be seen to exit from the flue terminal.
- Complete test with all doors and windows closed in the room where the appliance is fitted.
- If there are any extractor fans in adjacent rooms the test must be repeated with the fans running on maximum and with interconnecting doors open.
- Check the effect of ceiling fans during the test.

If the test fails, re-check the suitability of the flue system and ventilation. An inadequate air supply to the room is potentially dangerous.

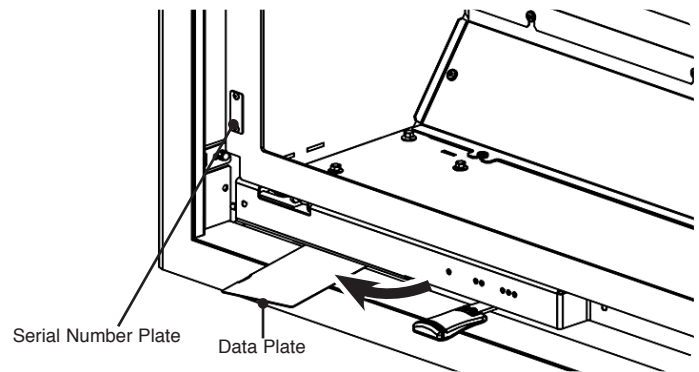
- Light the appliance and slowly increase the temperature.
- Ensure no combustion products enter the room.

If excessive spillage occurs allow the appliance to cool and re-check the flue system and ventilation.

Finally:

- Explain to the user the correct operation of the appliance, use of the controls and the importance of only using suitable fuels in order to reduce smoke emissions - particularly if they live in a Smoke Control Area.
- Ensure that a CO alarm has been fitted and make the user aware of its operation and importance, referring them to the Warning section on page 5 of the User Instructions.
- Explain the cleaning and routine maintenance requirements.
- Explain the requirement to use a suitable fireguard when children, elderly or infirm persons are near the appliance.

- Record retailer/supplier and installer details in Appliance Commissioning Checklist.
- Record serial number in Appliance Commissioning Checklist. The serial number is found on a riveted plate inside the door.



This number is required when ordering spare parts and making warranty claims.

- Give this instruction manual to the customer for future reference.

SERVICING

Before the start of the heating season strip, inspect and clean the appliance as detailed:

- Allow appliance to cool.
- Remove all internal parts: baffle, log guard, cast bases and firebricks.
Take care handling firebricks as they can become fragile after a period of use.
- Sweep the appliance at this point if necessary.
- Vacuum clean any remaining ash and debris from the inside of the appliance. Stovax offer a filter/collection attachment for vacuum cleaners to protect them from fire ash: Ash Clean (Stovax Part No. 2091).
- Check the parts for any damage. Replace any damaged parts using genuine Stovax replacements parts.
- Check and clean the firebricks with a soft brush.
Some surface damage will occur during use. The life of the bricks will depend on the type of fuels burnt and the level of use.
Replace damaged bricks as soon as possible.
- Re-fit cleaned internal parts.
- **Use Stovax Glass Cleaner (Stovax No.4103) which is better formulated for this application.**
Do not use abrasive cleaners to remove tar or soot deposits from the glass.
- Fit new door rope seal.
- Lightly oil the door catch mechanism and hinge pins. Avoid getting oil onto the door seals and glass.
- To refresh painted finishes a touch up spray is available.
Contact your Stovax retailer quoting the serial number found on the appliance data badge.

Use genuine Stovax replacement parts to keep the appliance in safe, efficient working order. This is a list of the maintenance products that may need be required:

Products to assist in the cleaning and maintenance of your Vogue 700 are available online at www.stovax.com or from your local Stovax dealer which, along with regular maintenance and use of correct fuels, will keep the appliance in the best possible condition.

For more information about the Stovax Group products please visit our web site at www.stovax.com

Burn at a low temperature for the first day of use after any maintenance. This allows the seals, fixing glues and paint to fully cure.

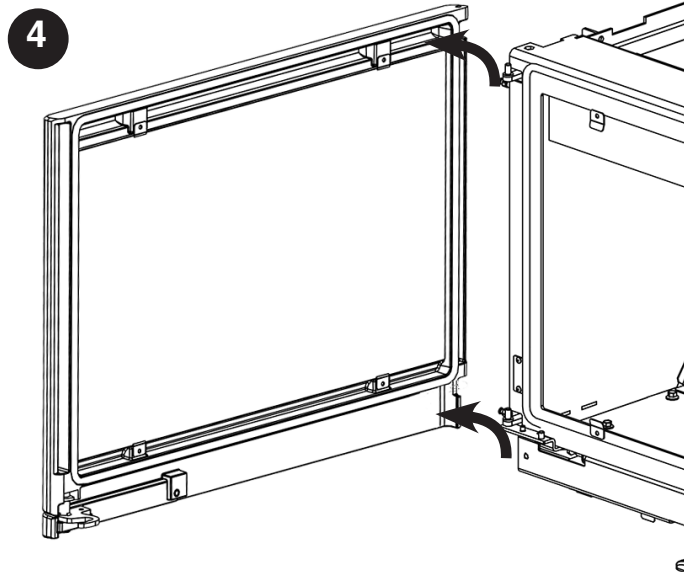
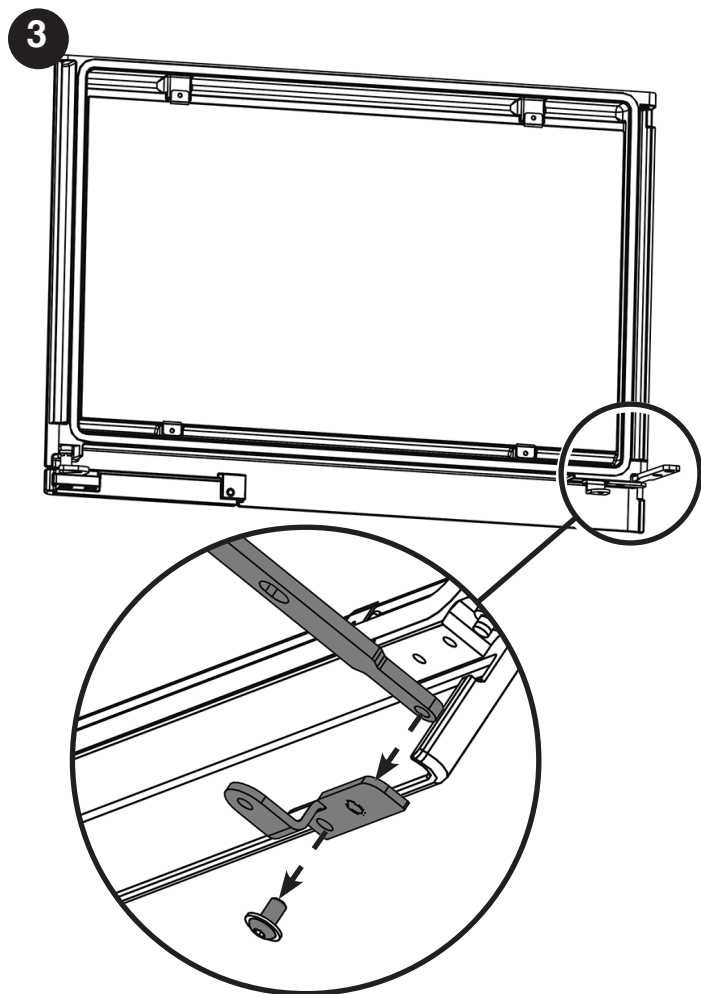
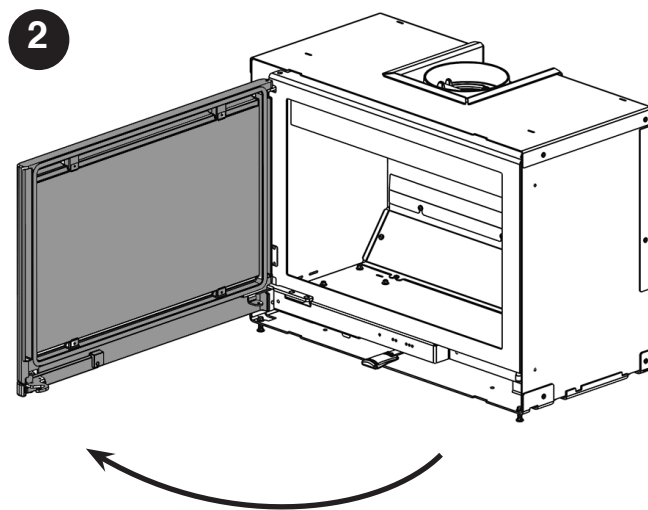
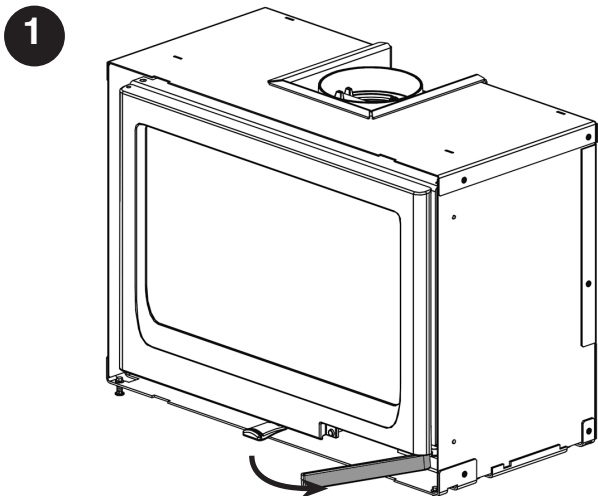
During this time the appliance may give off some unpleasant odours. Keep the room well ventilated to avoid a build-up of fumes.

Your Stovax dealer can carry out service and maintenance.



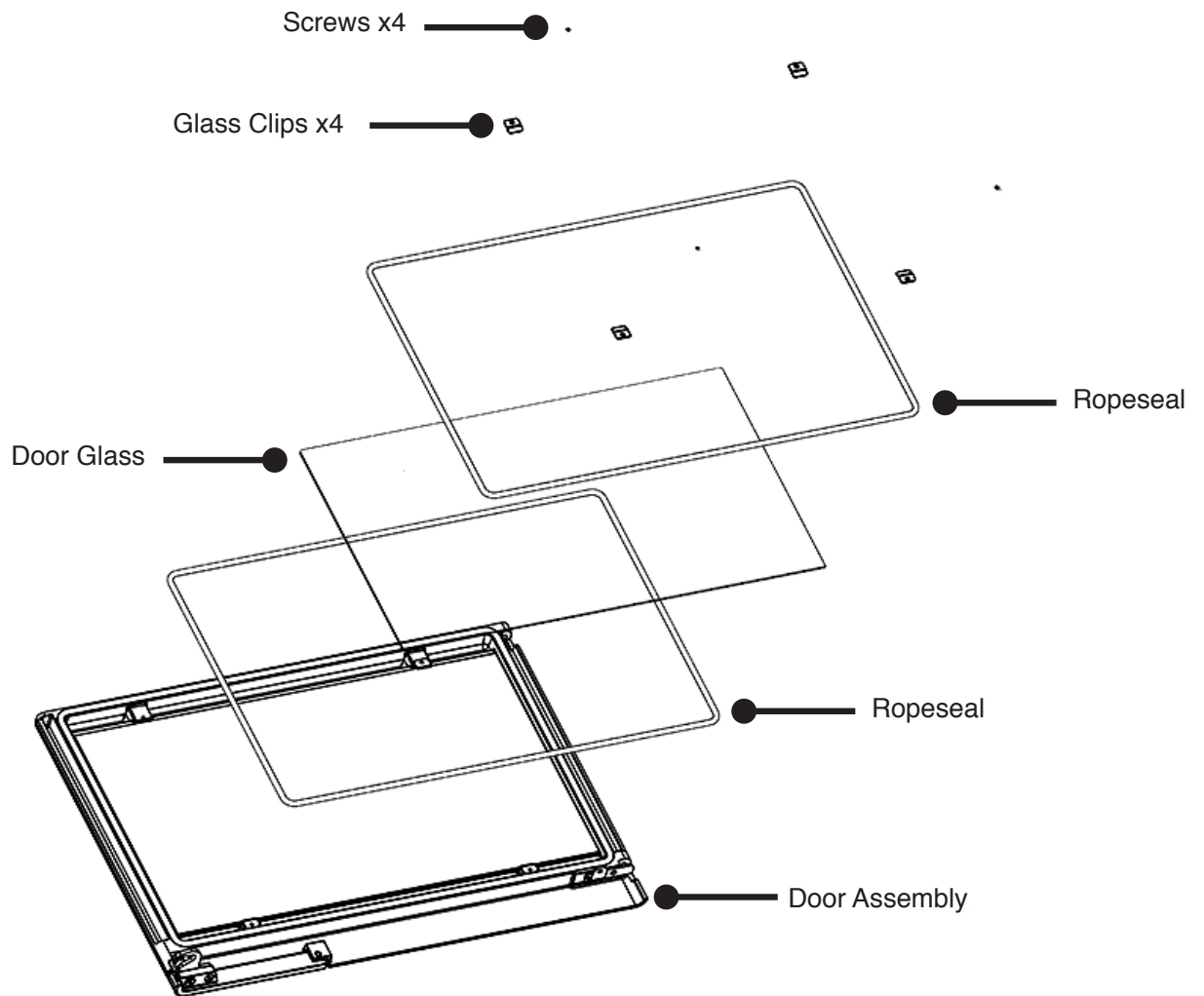
IMPORTANT: Stovax provide gauntlet style gloves for the users protection from heat and any sharp edges when using the appliance. For your safety ensure that gloves are always worn when opening, operating, refuelling or handling internal metalwork.

SERVICING



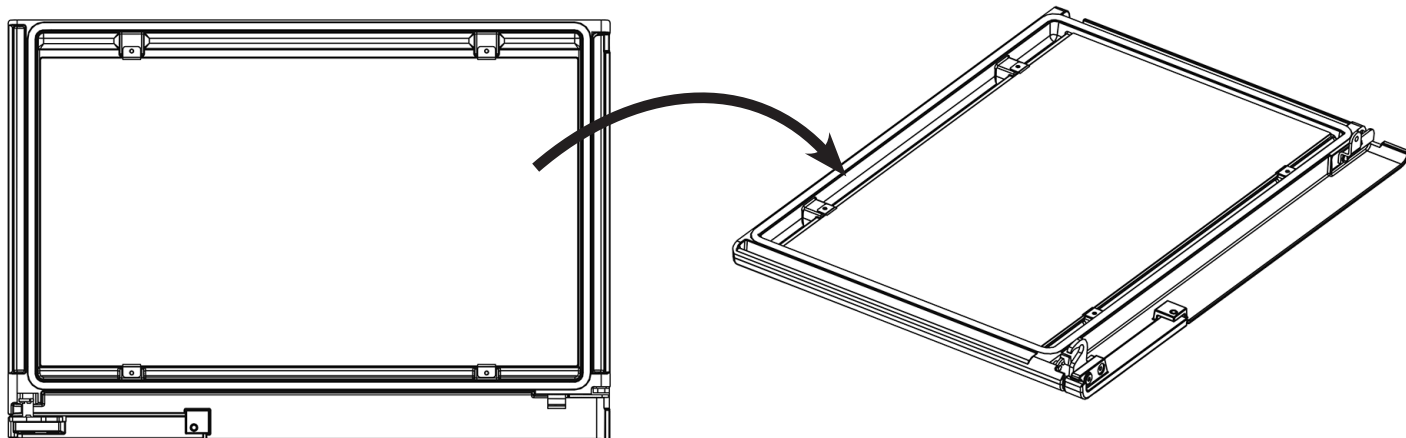
SERVICING

5

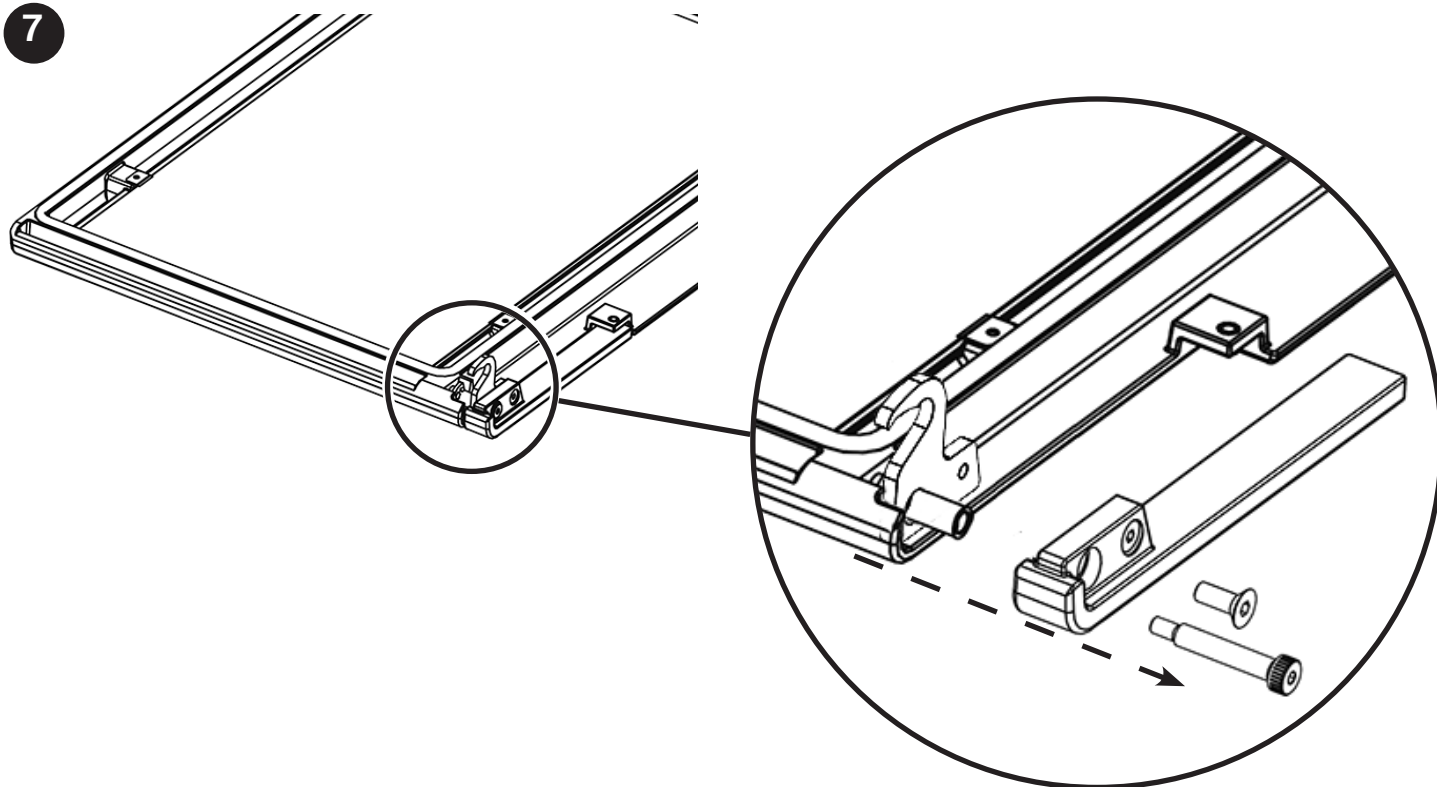


SERVICING

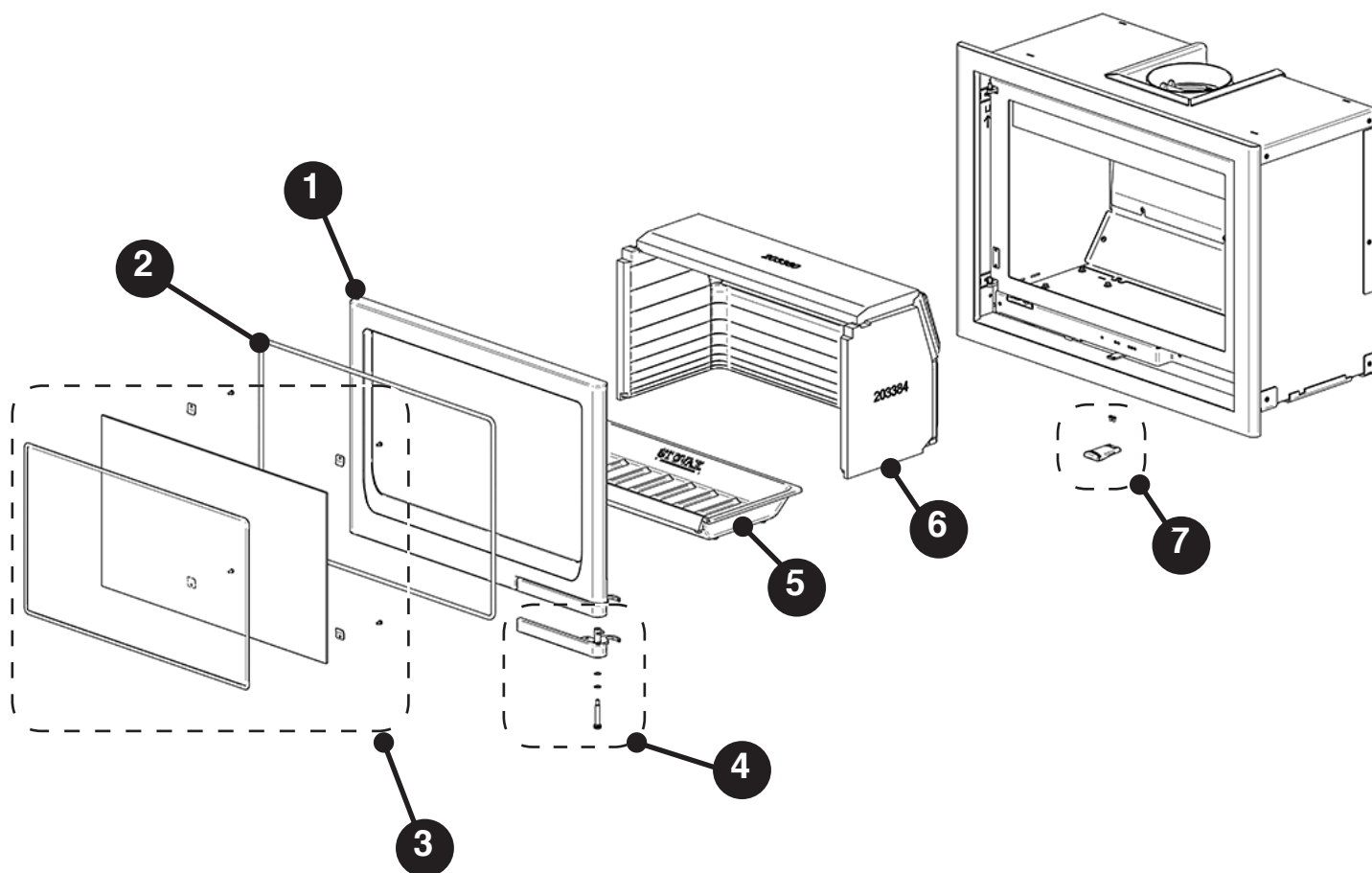
6



7



SPARE PARTS LIST



No.	Description	Stovax Code
1	Door Assembly	MEC11982
2	Dope Rope Pack	4990
3	Door Glass, Clamp & Rope Set	MEC11983
4	Door Handle Set	MEC11984
5	Cast Base	CA6004
6	Brick Set	MEC11985
7	Air Control Handle Set	MEC11986

PRODUCT FICHE - INFORMATION REQUIREMENT FOR SOLID FUEL LOCAL SPACE HEATER

Model	Vogue 700
Direct Efficiency Class	A
Direct Heat Output (kW)	7.0
Indirect Output (kW)	N/A
Useful Energy Efficiency at Nominal Heat Output	77.0
Safety Precautions	Appliance must be installed, Used and Maintained in accordance with the manufacturers instructions supplied

PRODUCT MATERIAL INFORMATION

The following substances, preparations or components should be disposed of or recovered separately from other WEEE in compliance with Article 4 of EU Council Directive 75/442/EEC.

Metal	Steel	Can be taken to a local recycling centre for reuse to reduce waste going to landfill.
	Cast iron	
Glass		Can be taken to a local recycling centre for reuse to reduce waste going to landfill.
Vermiculite linings		Non hazardous material. Vermiculite can be crushed up and used for plant bedding and ash used for composting or disposed of at a local recycling centre for reuse to reduce waste going to landfill.
Rope seals		Rope seals are made from Refractory Ceramic Fibre (RCF), a material which is commonly used for this application. Protective clothing is not required when handling these articles, but it is recommended to follow normal hygiene rules of not smoking, eating or drinking in the work area and always wash hands before eating or drinking. When servicing the appliance it is recommended that the replaced items are not broken up, but are sealed within heavy duty polythene bags and labelled as RCF waste. RCF waste is classed as stable, non-reactive hazardous waste and may be disposed of at a licensed landfill site.
Electrical components	(Fan kits etc if applicable)	Dispose of at a local recycling centre in accordance with the WEEE directive.

SERVICE RECORDS

1ST SERVICE

Date of Service:.....
 Next Service Due:.....
 Signed:.....
 Dealer's Stamp/HETAS Registration Number

3RD SERVICE

Date of Service:.....
 Next Service Due:.....
 Signed:.....
 Dealer's Stamp/HETAS Registration Number

5TH SERVICE

Date of Service:.....
 Next Service Due:.....
 Signed:.....
 Dealer's Stamp/HETAS Registration Number

7TH SERVICE

Date of Service:.....
 Next Service Due:.....
 Signed:.....
 Dealer's Stamp/HETAS Registration Number

9TH SERVICE

Date of Service:.....
 Next Service Due:.....
 Signed:.....
 Dealer's Stamp/HETAS Registration Number

2ND SERVICE

Date of Service:.....
 Next Service Due:.....
 Signed:.....
 Dealer's Stamp/HETAS Registration Number

4TH SERVICE

Date of Service:.....
 Next Service Due:.....
 Signed:.....
 Dealer's Stamp/HETAS Registration Number

6TH SERVICE

Date of Service:.....
 Next Service Due:.....
 Signed:.....
 Dealer's Stamp/HETAS Registration Number

8TH SERVICE

Date of Service:.....
 Next Service Due:.....
 Signed:.....
 Dealer's Stamp/HETAS Registration Number

10TH SERVICE

Date of Service:.....
 Next Service Due:.....
 Signed:.....
 Dealer's Stamp/HETAS Registration Number

FOR ENQUIRIES IN THE U.K (EXCLUDING NI):

Stovax Ltd, Osprey Road, Sowton Industrial Estate, Exeter, Devon, England EX2 7JG
Tel: (01392) 474011 Fax: (01392) 219932 E-mail: info@stovax.com www.stovax.com

FOR ENQUIRIES IN EUROPE (INCLUDING NI):

Stovax Heating Group Ltd, 40 Linenhall Street, Belfast, BT2 8BA | DX 400 NR Belfast
Tel: +44 (0)1392 261990 Fax: +44 (0)1392 444148 E-mail: northernireland@stovax.com

