



Verve XS Front

For use with the Riva2 500, 500HL, 600, 600HL, 750 & Reflex 75T



Instructions for Use and Installation
For use in GB, IE (Great Britain and Republic of Ireland)

Installation Instructions

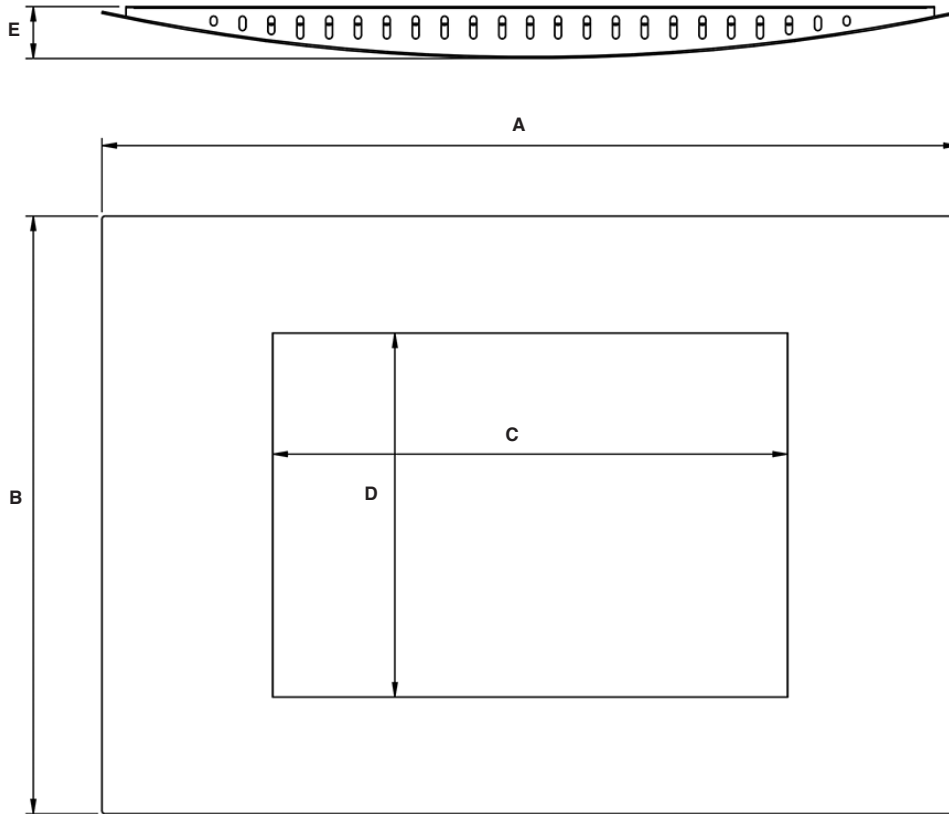
Covering following model numbers:

Colour	Riva2 500	Riva2 500HL	Riva2 600	Riva2 600HL	Riva2 750	Reflex 75T
Graphite	934-033	934-229	934-504	934-702	934-213	
Red	-	-	-	-	934-213RD	
Bronze	-	-	-	-	934-213BZ	
Ivory	-	-	-	-	934-213IV	

1. General

1.1 These instructions are supplementary to, and must be read in conjunction with the instructions supplied with the appliance. Read both thoroughly before installation.

1.2 Fitting of this decorative front should be carried out after the appliance has been installed and commissioning tests completed.



All dimensions in mm

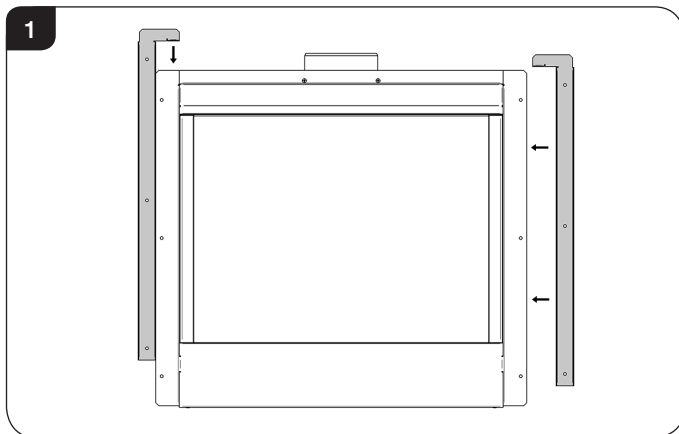
Model	A	B	C	D	E
Riva2 500	890	621	535	378	54
Riva2 500HL	890	755	535	512	54
Riva2 600	990	685	634	360	64
Riva2 600HL	990	915	634	590	64
Riva2 750/ Reflex 75T	1141	945	788	703	57

i **RIVA2 500, 500HL, 600, 750 & REFLEX 75T:**
PLEASE NOTE: THE RIVA2 500, 500HL, 600, 750 & REFLEX 75T MOUNTING BRACKETS FOR THE VERVE XS ARE A COMMON PART THAT IS ALSO USED ON THE GAZCO ICON XS FRONT. IF DESIRED IT IS POSSIBLE TO ALSO FIT AN ICON XS TO THESE APPLIANCES WITHOUT HAVING TO ALTER ANY SUB FRAME BRACKETS FITTINGS.

Installation Instructions

2. Fitting the Sub-Frame

- 2.1 Complete the installation of the appliance by following the Installation Instructions supplied with the appliance.
- 2.2 Offer the wall mounting brackets to the appliance and position so the interior edges of the sub-frame sit flush with the edges of the appliance flange, see Diagram 1.

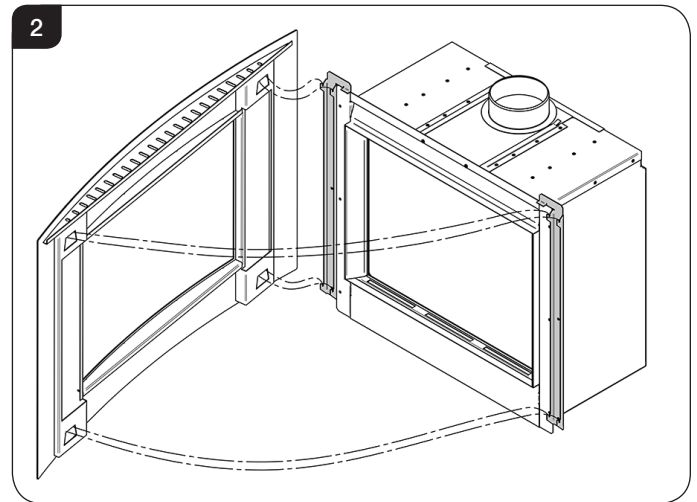


- 2.3 Mark the position for the 6 fixing screws.
- 2.4 Remove the mounting brackets and drill the fixing holes and fill with rawl plugs.
- 2.5 Attach the mounting brackets to the wall using the screws provided.

3. Fitting the Front

IT IS RECOMMENDED THAT 2 PEOPLE FIT THIS FRONT FOR EASE OF INSTALLATION, PARTICULARLY LIFTING INTO FINAL POSITION.

- 3.1 Rest the bottom fixing slots on the bottom locating hooks. Lift the upper front fixing slots onto the top locating hooks and lower into final position, see Diagram 2.



4. Cleaning the Verve XS

Ensure the appliance is cold before attempting to clean the front.

- 4.1 The metal front and sub-frame should be cleaned using a damp cloth and buffed with a lint free duster.

Gazco Limited, Osprey Road, Sowton Industrial Estate, Exeter, Devon, England EX2 7JG
Technical Customer Services (01392) 261950 Fax: (01392) 261951
E-mail: technicalservices@gazco.com

A member of the Stovax Group
E & O E