



# Verve XS Front

For use with the Riva2 400



**Instructions for Use and Installation**  
For use in GB, IE (Great Britain and Republic of Ireland)

# Installation Instructions

Covering following model numbers:

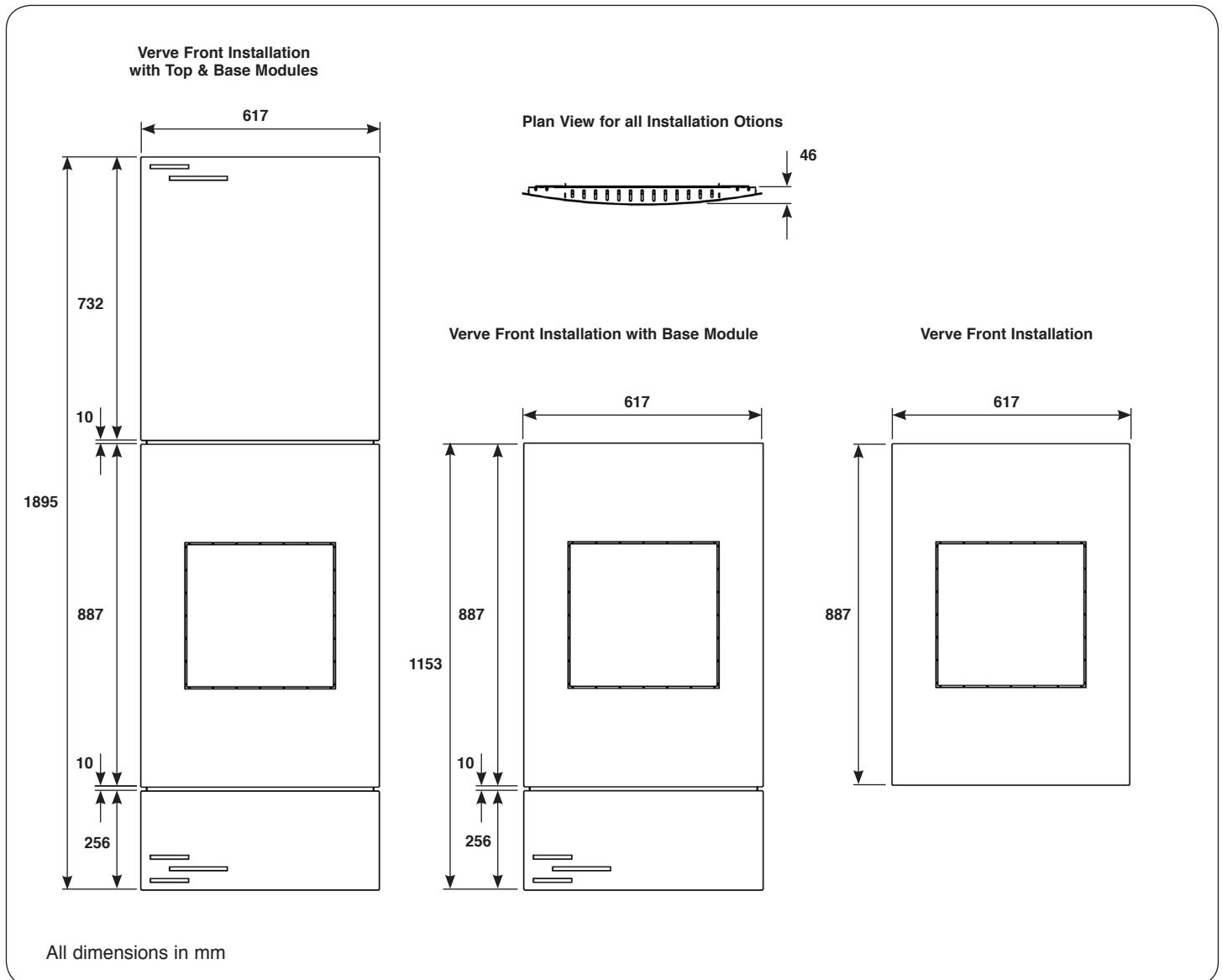
Colour	Verve XS	Verve XS Base Module	Verve XS Top Module
Graphite	934-045	934-066	934-071

## 1. General

- 1.1 These instructions are supplementary to, and must be read in conjunction with the instructions supplied with the appliance. Read both thoroughly before installation.
- 1.2 Fitting of this decorative front requires work to be carried out during the installation procedure. Ensure any necessary actions are taken prior to fitting the appliance.

- 1.3 There are 3 methods of installation:
- 2a. Verve Front installation.
- 2b. Verve Front Installation with a Base Module.
- 2c. Verve Front Installation with a Top & Base Modules.

**i** **IMPORTANT:**  
In order to install the complete Verve XS with Top and Base Modules the ceiling height must be a minimum of 1905mm.

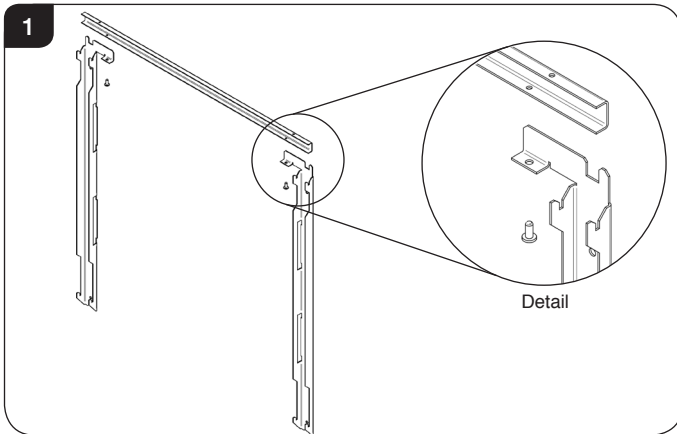


# Installation Instructions

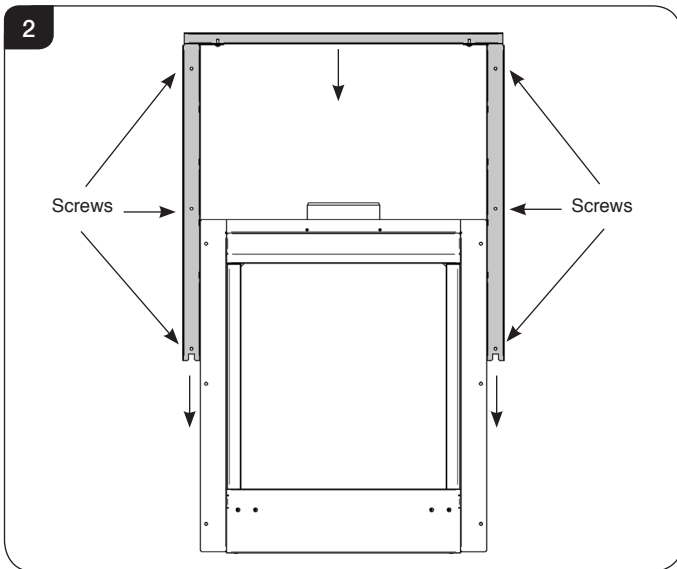
## 2a. Verve XS Front Installation

### Fitting the Mounting Bracket

- 2a.1 Complete the installation of the appliance by following the Installation Instructions supplied with the appliance.
- 2a.2 Fix the crossbar bracket to the side brackets using the 2 self tapping screws provided, see Diagram 1.



- 2a.3 Offer the wall mounting brackets to the appliance and position so all the interior edges sit flush with the edges of the appliance flange, see Diagram 2.

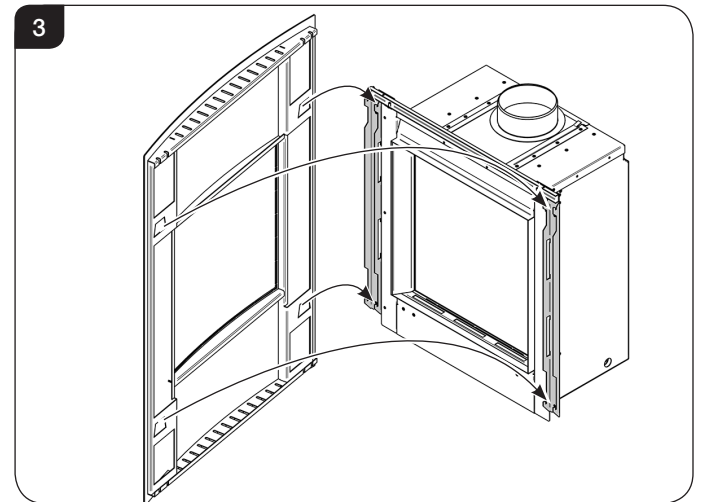


- 2a.4 Mark the position for the 6 fixing screws.
- 2a.5 Remove the mounting brackets, drill the fixing holes and fill with rawl plugs.
- 2a.6 Attach the mounting brackets to the wall using the screws provided.

### Fitting the Front

**IT IS RECOMMENDED THAT 2 PEOPLE FIT THIS FRONT FOR EASE OF INSTALLATION, PARTICULARLY LIFTING INTO FINAL POSITION.**

- 2a.7 Rest the bottom fixing slots on the bottom locating hooks. Lift the upper front fixing slots onto the top locating hooks and lower into final position, see Diagram 3.

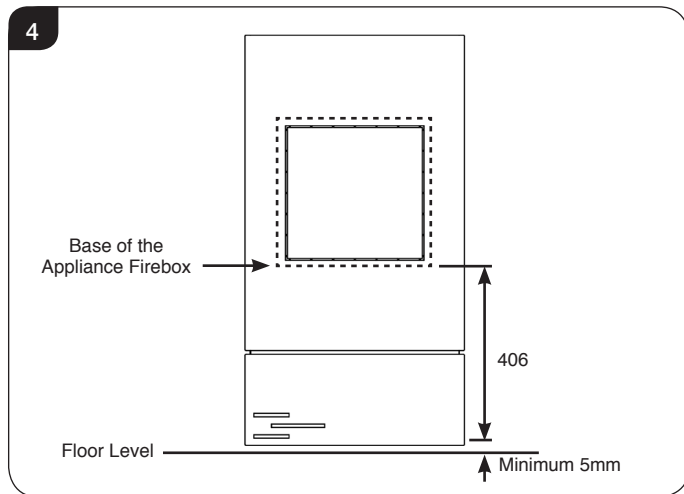


# Installation Instructions

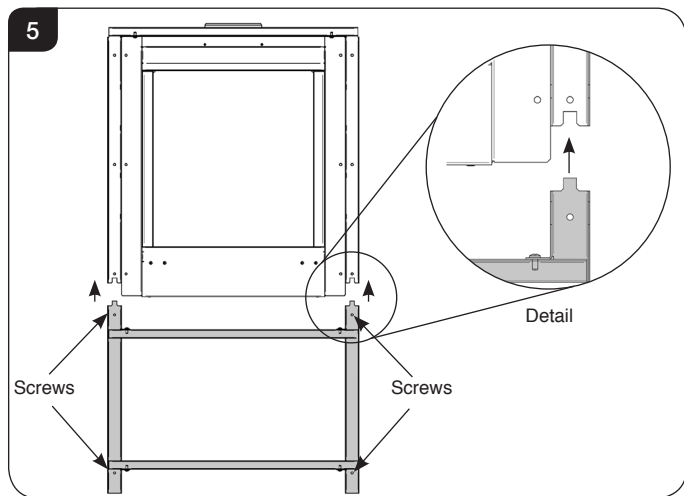
## 2b. Verve XS Front Installation with a Base Module

Before installing the appliance the following needs to be calculated:

- 2b.1 Decide on the height from the floor level to the bottom of the decorative frame (recommended minimum 5mm clearance). Add the desired distance between the bottom of the frame and floor level to distance between the bottom of the frame and the bottom of the firebox (406mm). This gives the total distance from the floor to the base of the appliance firebox required when installing the Riva2 400, see Diagram 4.



- 2b.2 Complete the installation of the appliance by following the Installation Instructions supplied with the appliance.
- 2b.3 Install the Verve XS wall mounting bracket, see Section 2a. **Do not fit the Decorative Front at this point.**
- 2b.4 Insert the tabs on the Base wall mounting bracket into the slots on the Verve XS mounting bracket, see Diagram 5.



- 2b.5 Mark the position for the 4 fixing screws, see Diagram 5.

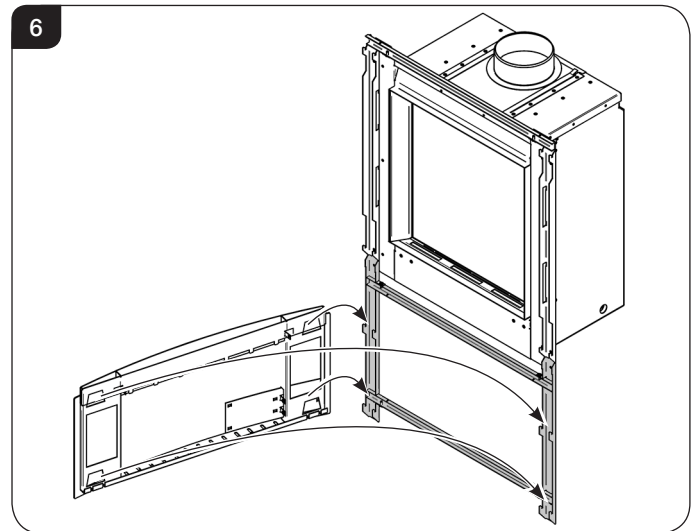
- 2b.6 Remove the Base wall mounting bracket, drill the fixing holes and fill with rawl plugs.
- 2b.7 Insert the tabs on the Base wall mounting bracket into the slots on the Verve XS mounting bracket, see Diagram 5. Fix to the wall using the screws provided.

## Fitting the Front

**IT IS RECOMMENDED THAT 2 PEOPLE FIT THIS FRONT FOR EASE OF INSTALLATION, PARTICULARLY LIFTING INTO FINAL POSITION.**

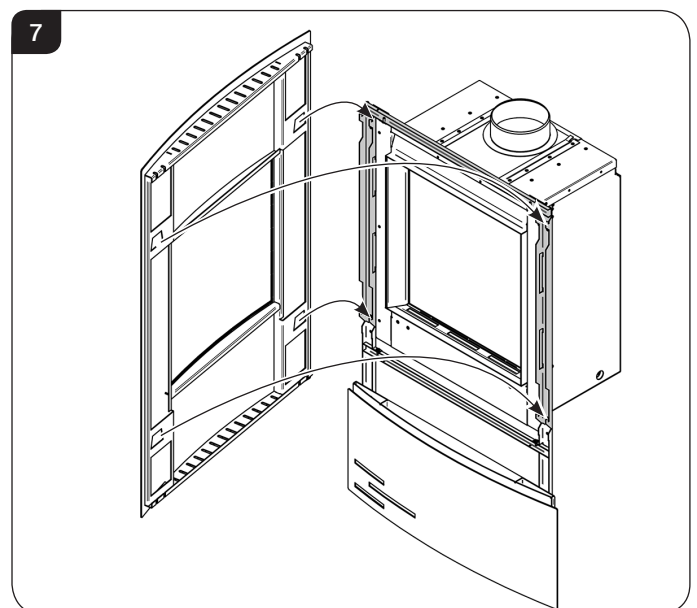
### Base Module

- 2b.8 Rest the bottom fixing slots on the bottom locating hooks. Lift the upper front fixing slots onto the top locating hooks and lower into final position, see Diagram 6.



### Verve XS Front

- 2b.9 Rest the bottom fixing slots on the bottom locating hooks. Lift the upper front fixing slots onto the top locating hooks and lower into final position, see Diagram 7.

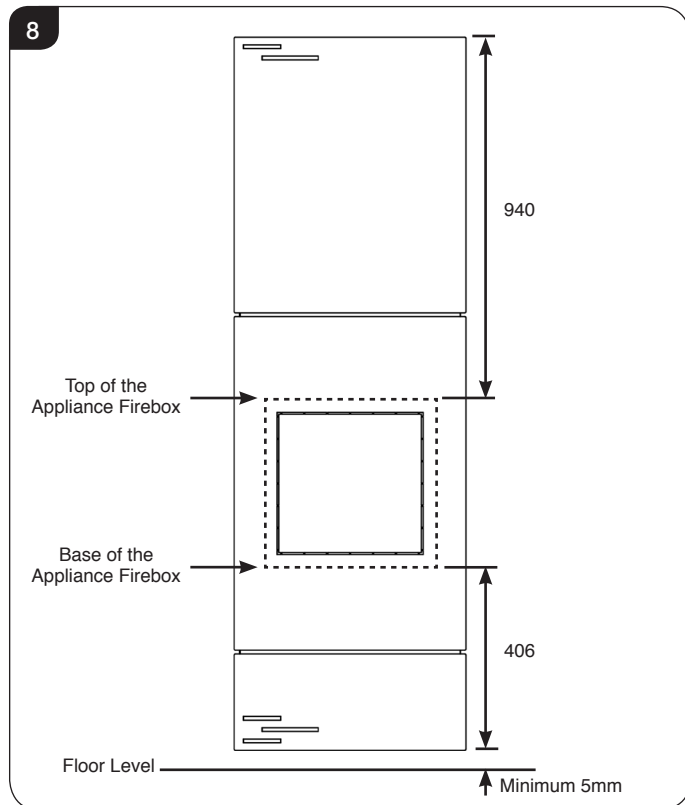


# Installation Instructions

## 2c. Verve XS Front Installation with a Top & Base Modules

Before installing the appliance the following needs to be calculated:

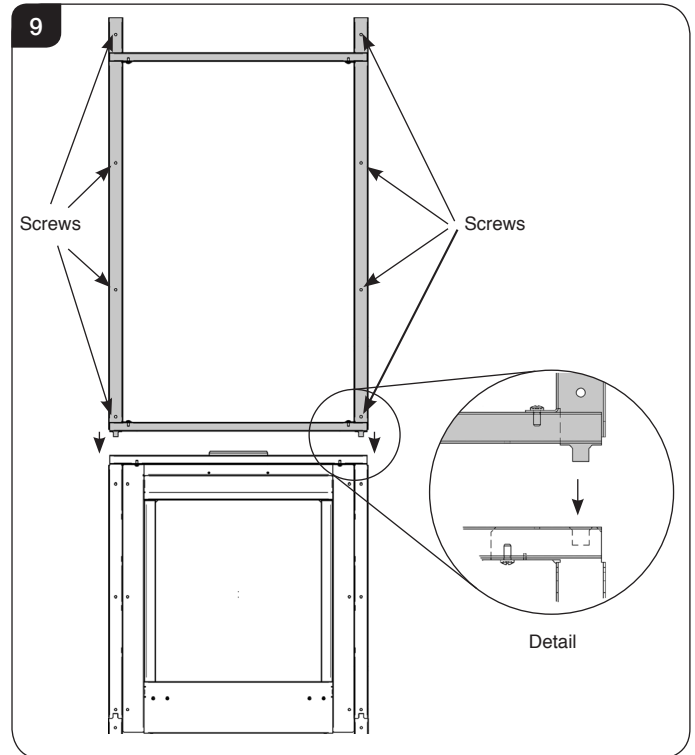
- 2c.1 Decide on the height from the floor level to the bottom of the decorative frame (recommended minimum 5mm clearance). Add the desired distance between the bottom of the frame and floor level to distance between the bottom of the frame and the bottom of the firebox (406mm). This gives the total distance from the floor to the base of the appliance firebox required when installing the Riva2 400, see Diagram 4.
- 2c.2 Ensure that there is enough clearance between the top of the appliance firebox and the ceiling for installing the Top Module, see Diagram 8.



- 2c.3 Complete the installation of the appliance by following the Installation Instructions supplied with the appliance.
- 2c.4 Install the Verve XS wall mounting bracket, see Section 2a. **Do not fit the Decorative Front at this point.**
- 2c.5 Install the Base wall mounting bracket, see Section 2b. **Do not fit the Decorative Front at this point.**

- 2c.6 Slide the tabs on the Top wall mounting brackets behind the crossbar on the Verve XS mounting bracket, see Diagram 9.

Ensure that both mounting brackets sit flush with each other.



- 2c.7 Mark the position for the 8 fixing screws, see Diagram 9.
- 2c.8 Remove the Top Module, drill the fixing holes and fill with rawl plugs.
- 2c.9 Insert the tabs on the Top Module into the slots on the Verve XS front, see Diagram 5. Fix to the wall using the screws provided.

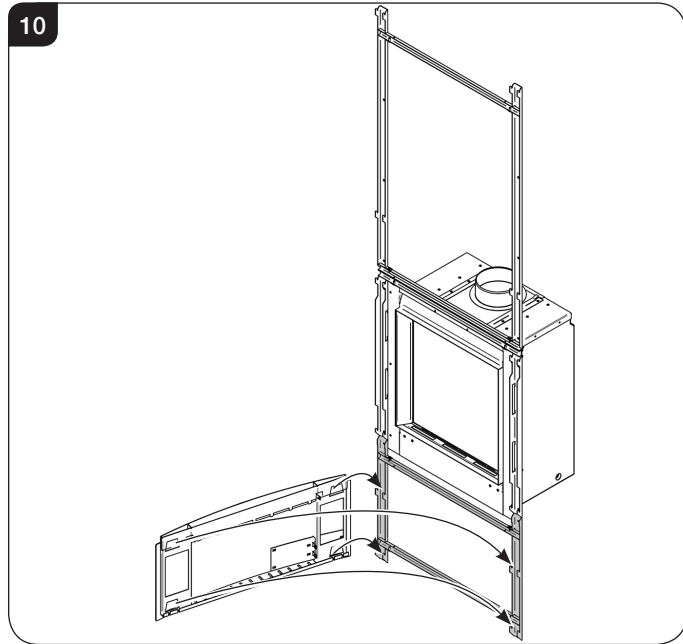
# Installation Instructions

## Fitting the Front

**IT IS RECOMMENDED THAT 2 PEOPLE FIT THIS FRONT FOR EASE OF INSTALLATION, PARTICULARLY LIFTING INTO FINAL POSITION.**

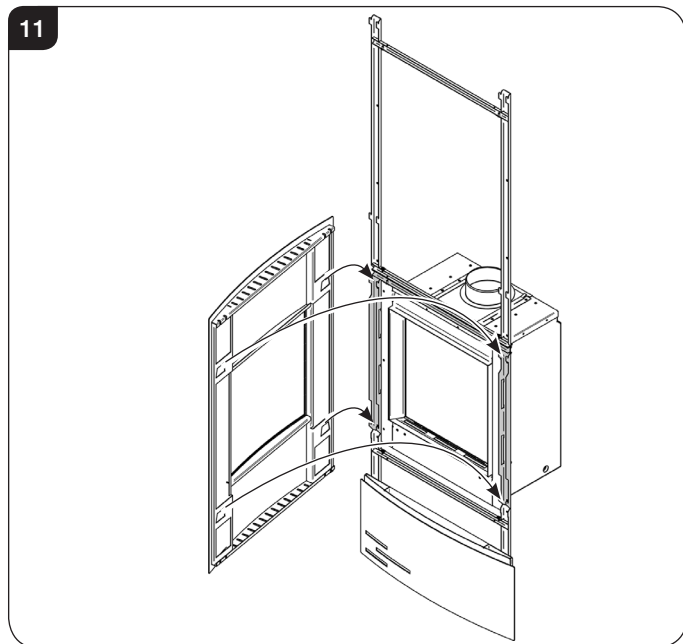
### Base Module

2c.10 Rest the bottom fixing slots on the bottom locating hooks. Lift the upper front fixing slots onto the top locating hooks and lower into final position, see Diagram 10.



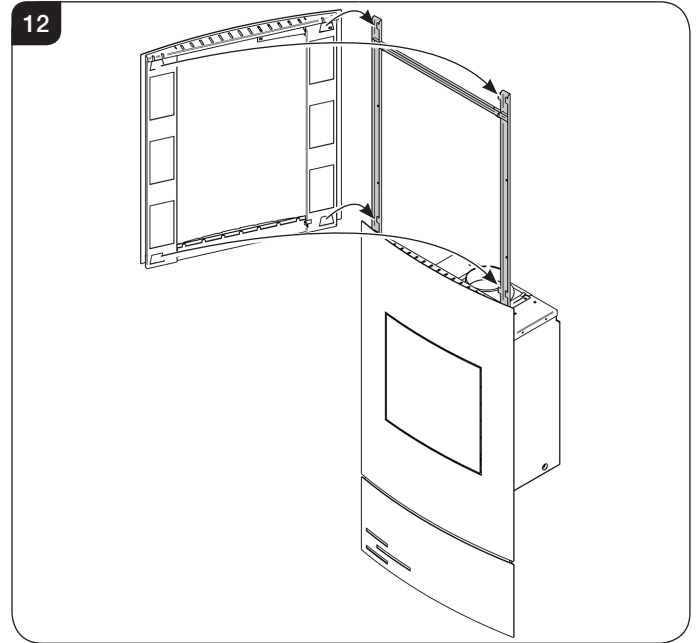
### Verve XS Front

2c.11 Rest the bottom fixing slots on the bottom locating hooks. Lift the upper front fixing slots onto the top locating hooks and lower into final position, see Diagram 11.



### Top Module

2c.12 Rest the bottom fixing slots on the bottom locating hooks. Lift the upper front fixing slots onto the top locating hooks and lower into final position, see Diagram 12.



## 3. Cleaning the Verve XS

**Ensure the appliance is cold before attempting to clean the front.**

3.1 The metal front and sub-frame should be cleaned using a damp cloth and buffed with a lint free duster.



**Gazco Limited, Osprey Road, Sowton Industrial Estate, Exeter, Devon, England EX2 7JG**  
**Technical Customer Services (01392) 261950 Fax: (01392) 261951**  
**E-mail: [technicalservices@gazco.com](mailto:technicalservices@gazco.com)**

A member of the Stovax Group  
E & O E