



Tempo Front

For use with Gazco Logic HE,
E-Box™ and E-Studio™



Instructions for Use and Installation
For use in GB, IE (Great Britain and Republic of Ireland)

Installation Instructions

Covering frame model numbers:

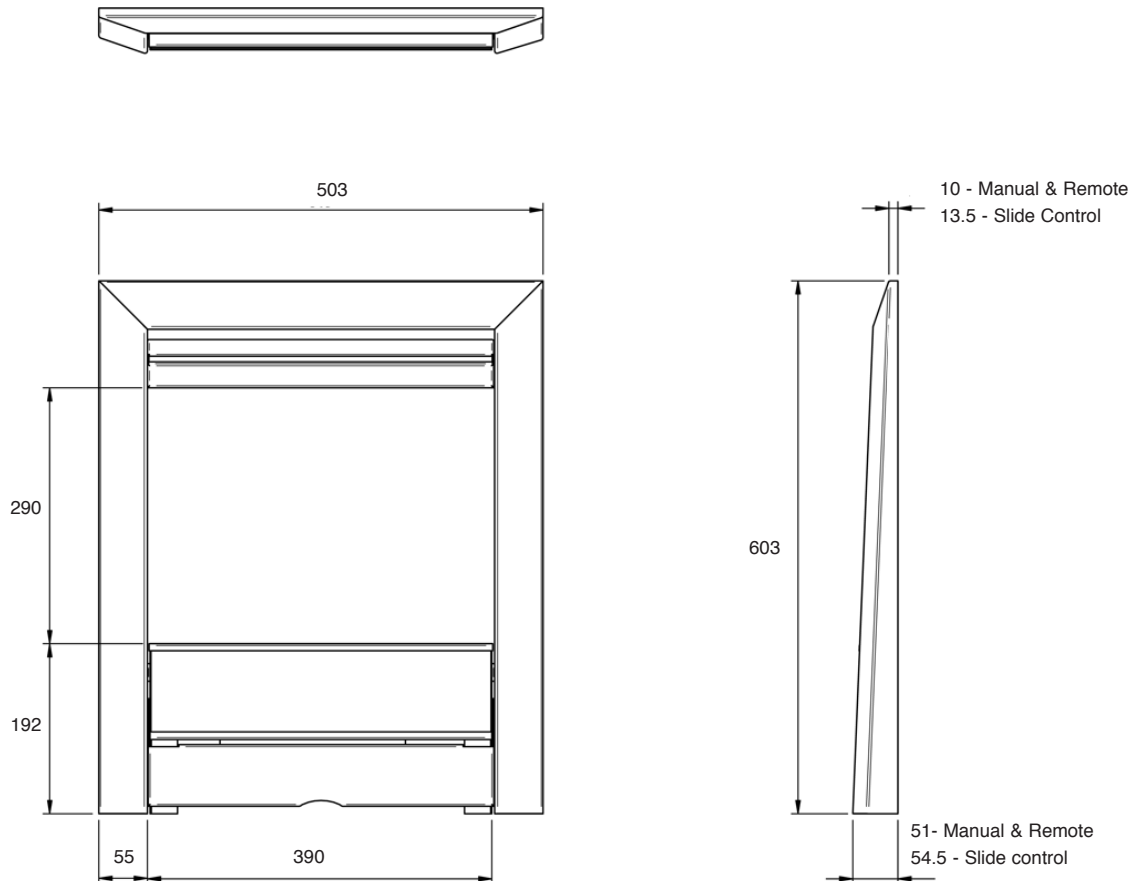
E-Box, E-Studio and Logic HE Manual & Remote Control	
Finish	Code
Tempo Front & Black frame	912-197
Tempo Front & Polished Steel frame	912-221
Tempo Front & Brushed Steel frame	912-316

Logic HE Slide Control	
Finish	Code
Tempo Front & Matt Black frame	901-385
Tempo Front & Polished Chrome frame	901-403
Tempo Front & Brushed Effect frame	901-414

1. General

- 1.1 These instructions are supplementary to, and must be read in conjunction with, the instructions supplied with the appliance. Read both thoroughly before installation.
- 1.2 The Tempo front comes as a kit and fitting should be carried out after the appliance has been installed and commissioning tests completed.
- 1.3 Ensure that these supplementary instructions are attached to the appliance installation instructions and leave with the user.

Logic HE, E-Box, E-Studio



All dimensions in mm

Installation Instructions

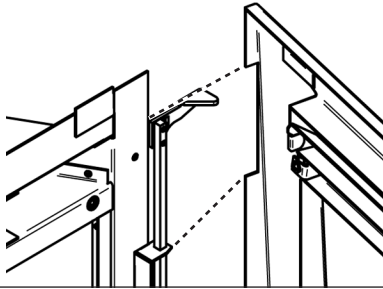
2. Fitting the Decorative Frame



Slide Control Models only:
Caution: When fitting the front ensure that the cutout fits around the slide mechanism, see Diagram 1. Take care not to damage the slide control handle during installation.

1

Slide Control Models only



The following instructions cover the fitting of the decorative front for all models.

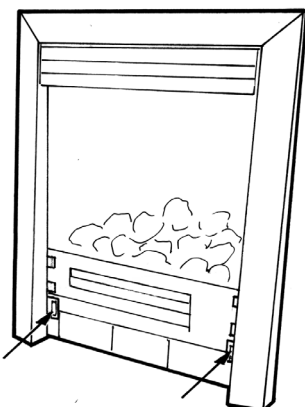
- 2.1 Locate top edge of frame onto tabs found at the top of convector box and push down firmly to ensure correct fitting, see Diagram 2.

2



- 2.2 Secure frame at base with fixing screws as shown to ensure rigid fixing, see Diagram 3.

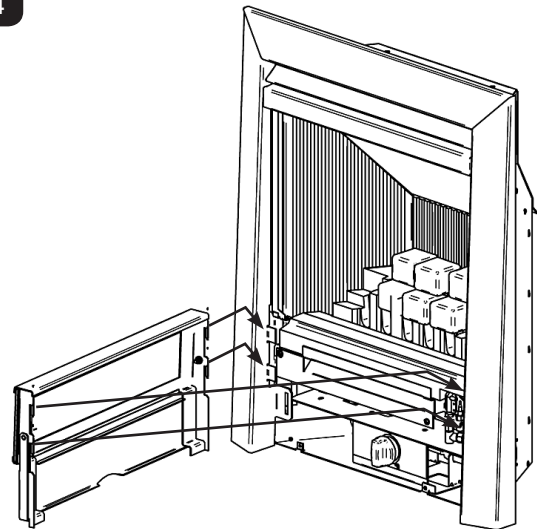
3



3. Fitting the Tempo Front

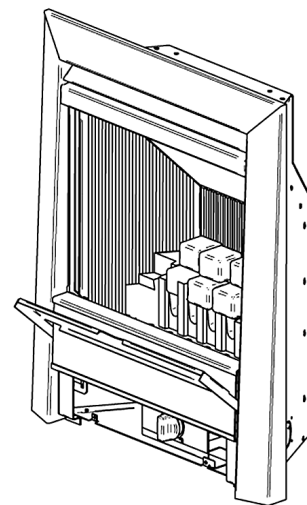
- 3.1 Align front with locating lugs on either side of frame and push down into position, see Diagram 4.

4



- 3.2 Place ash pan cover into position at base of the front, see Diagram 5.

5



4. Cleaning and Controls

Ensure the appliance is cold before attempting to clean the front.

- 4.1 The front should be cleaned using a damp cloth and buffed with a lint free duster.
- 4.2 Access to the controls is behind the ash pan cover.

Gazco Limited, Osprey Road, Sowton Industrial Estate, Exeter, Devon, England EX2 7JG
Technical Customer Services (01392) 261950 Fax: (01392) 261951
E-mail: technicalservices@gazco.com

A member of the Stovax Group

E & O E