



# Stockton Inset Front

For use with the Logic HE



**Instructions for Use and Installation**  
For use in GB, IE (Great Britain and Republic of Ireland)

# Installation Instructions

Covering frame model numbers:

Stockton 7 Inset	
Logic HE	901-488

## 1. General

- 1.1 These instructions are supplementary to, and must be read in conjunction with, the installation instructions supplied with the appliance. Read both thoroughly before installation.
- 1.2 Fitting of this decorative front should be carried out after the appliance has been installed and commissioning tests completed.
- 1.3 Ensure that these supplementary instructions are attached to the Installation Instructions and leave with the user.

## 2. Fitting the Decorative Front



**BEFORE FITTING THE STOCKTON FRONT THE APPLIANCE MUST BE SECURED FIRMLY TO THE FIREPLACE OPENING AND THE HEARTH. DUE TO THE WEIGHT OF THE FRONT IT IS ADVISABLE TO SECURE THE APPLIANCE TO THE FIREPLACE OPENING USING THE SCREWS AND RAWL PLUGS SUPPLIED.**

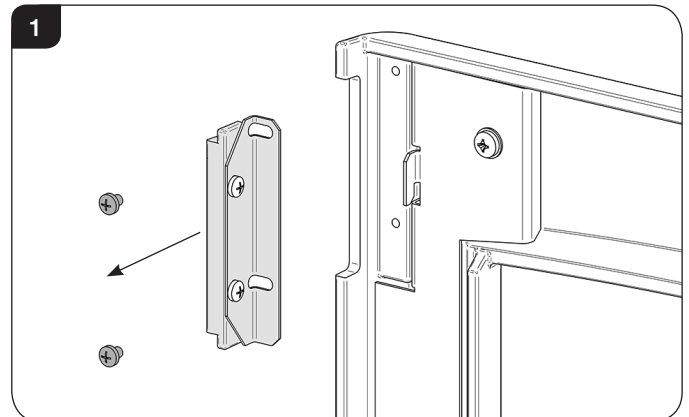


**WHEN USING THE CABLE FIXING METHOD, THE TENSION ON THE CABLES MUST BE RECHECKED WHEN THE STOCKTON FRONT HAS BEEN FITTED AND IF NECESSARY INCREASED.**

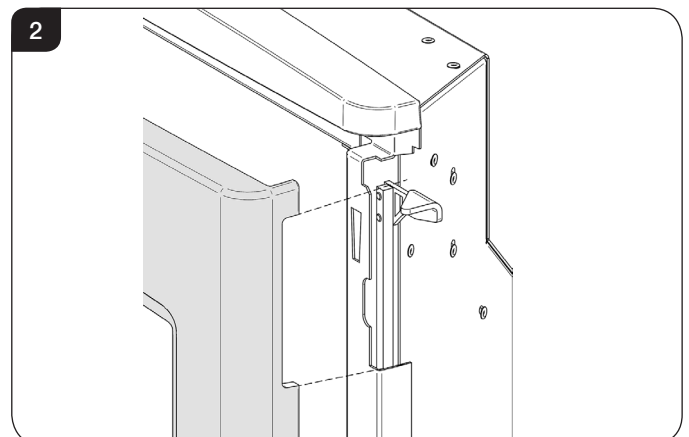
- 2.1 Ensure the appliance is installed firmly in position.
- 2.2 Remove the Stockton Inset front from the packaging.

### Slide Controls Models only

- 2.3 Remove the cast infill from the front by unscrewing the 2 screws. This provides a cutout for the slide mechanism, see Diagram 1.



**Caution: When fitting the front ensure that the cutout fits around the slide mechanism, see Diagram 2. Take care not to damage the slide control handle during installation.**

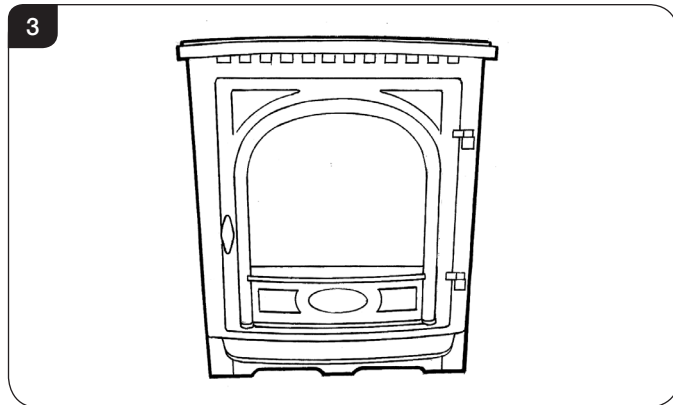


# Installation Instructions/ User Instructions

## All Models

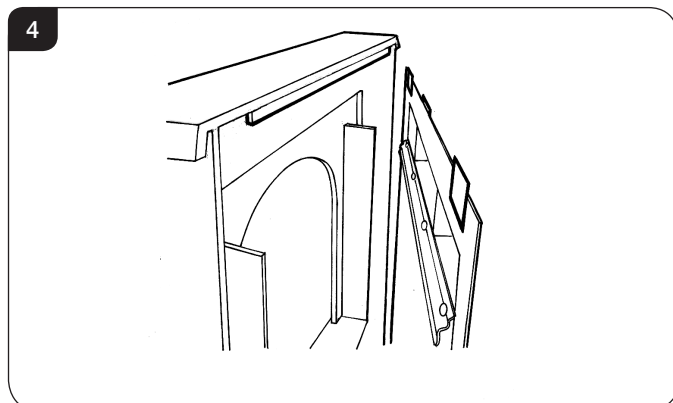
To remove the door from the casting:

- 2.4 Open the door by turning the handle through 90° to the right, see Diagram 3.

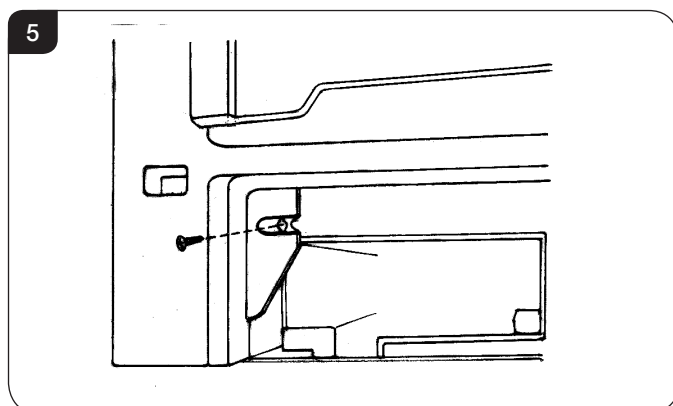


- 2.5 With the door open, support the front casting and lift off the hinges by pulling upwards.

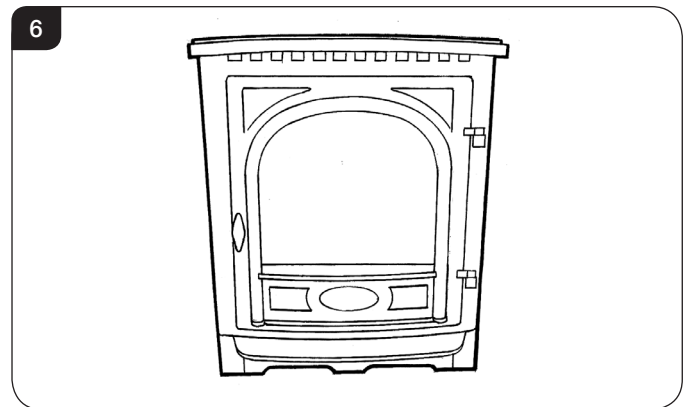
- 2.6 Place the front in position by locating the rear bracket over the lugs on the top flange of the appliance, see Diagram 4.



- 2.7 Secure to both sides of the appliance with the 2 pozidriv screws supplied, see Diagram 5.



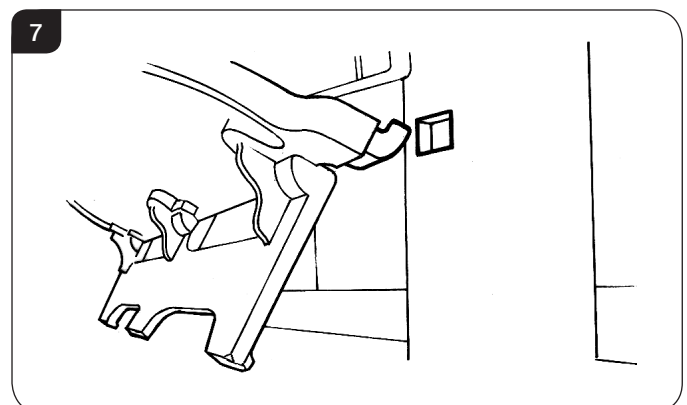
- 2.8 Replace the door by slotting the hinge pins into the hinge blocks. Ensure the hinge pins are pushed fully down.



- 2.9 Close the door and turn the handle through 90° to lock in position, see Diagram 6.

- 2.10 Unpack the ash cover.

- 2.11 Place in position by sliding the hooks through the slots in the bottom of the front casting, see Diagram 7.



- 2.12 Adjust the ash cover until it rests flat against the front.

- 2.13 Ensure the front is secure and show the customer how to remove the ash cover.

## 3. Control & Battery Access

- 3.1 Lift the ash cover off the Inset Front to access the controls and batteries.

Details of the controls (and Replacing Batteries, if applicable) are given in the User Section of the installation Instructions supplied with the appliance.

## 4. Cleaning the Frame

Only clean the frame when it is cold.

- 4.1 The frame should be cleaned using a soft damp cloth and buffed with a lint free duster.

**Gazco Limited, Osprey Road, Sowton Industrial Estate, Exeter, Devon, England EX2 7JG**  
**Technical Customer Services: (01392) 261950 Fax: (01392) 261951**  
**E-mail: [technicalservices@gazco.com](mailto:technicalservices@gazco.com)**

A member of the Stovax Group  
E & O E