



Steel Frame

For use with the E-Studio™
and Logic™ HE Convector Fires



Instructions for Installation

For use in GB & IE (Great Britain & Republic of Ireland).

User Instructions/Installation Instructions

User Instructions

1. Operation

- 1.1 To open the decorative frame, gently lift the right-hand side of the front and pull towards you. The door opens on the hinges allowing access to the controls and window frame assembly.
- 1.2 To close the decorative frame, push the front door until the front tabs locate in the slots on the back panel and the magnets retain the door in position.

PLEASE NOTE THAT SOME SLIGHT RESISTANCE FROM THE LOCK MECHANISM IS NORMAL DURING THE OPENING AND CLOSING OF THE DOOR. BECAUSE THE DOOR IS QUITE HEAVY, THE TABS AND SLOTS ENABLE THE DOOR TO ALWAYS REST IN A HORIZONTAL POSITION WHEN CLOSED.

2. Controls & Battery Access

- 2.1 Open the frame as instructed in section 1 above.
- 2.2 Details of the fire's controls are given in the User section of the Instruction manual supplied with the appliance.

Details for replacing Batteries can be found in the upgradeable control manual.

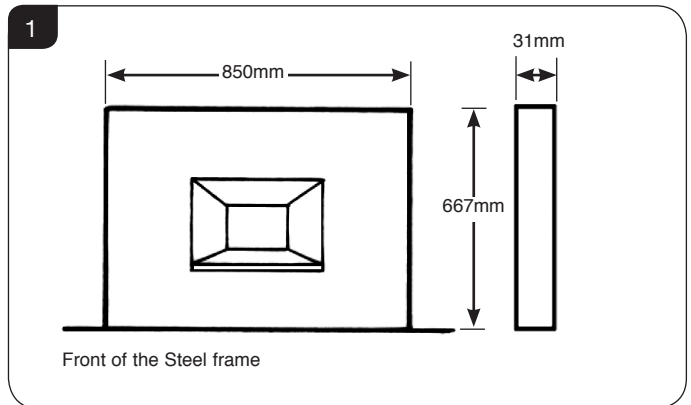
3. Cleaning the frame

- 3.1 The frame should be cleaned using a damp cloth and buffed with a lint free duster.

Installation Instructions

Covering Model 8695IR

1. General



- 1.1 These instructions are supplemental to and must be read in conjunction with the Installation Instructions supplied with the appliance. Read both thoroughly before installation.
- 1.2 Fitting of this decorative front should be carried out after the appliance has been installed and commissioning tests completed.
- 1.3 Diagram 1 shows the front view, the approximate dimensions of the frame and its side view.

2. Fitting the frame



IMPORTANT: BEFORE PROCEEDING WITH THE INSTALLATION, YOU MUST ENSURE THAT THE WALL AREA ABOVE AND TO THE SIDE OF THE FIRE IS STRONG ENOUGH TO SUPPORT THE FIXINGS THAT CARRY THE WEIGHT OF THE FRONT.

IF THE WALL IS CONSTRUCTED FROM HOLLOW MATERIALS, IT IS ESSENTIAL THE BATTENS ARE LOCATED TO THE SIDES OF THE FIRE TO PROVIDE STRENGTH TO THE FIXINGS, DIAGRAM 2. DUE CONSIDERATION SHOULD BE TAKEN TO ENSURE COMBUSTIBLE MATERIALS ARE SUFFICIENT DISTANCE FROM THE APPLIANCE.

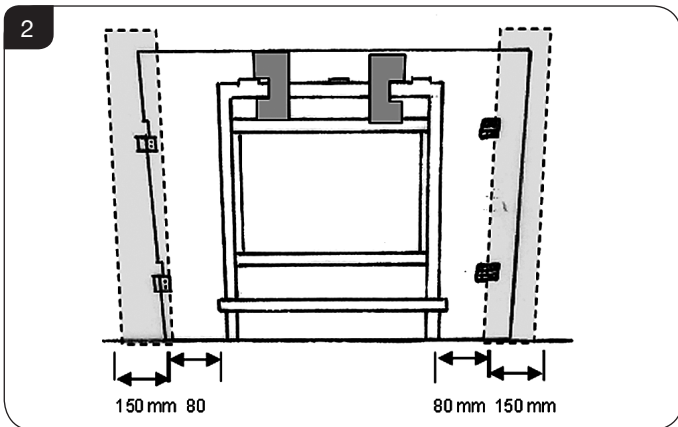
There are two methods of installation:

- Hearth Mounted** - does not require any additions to the frame.
- Wall Mounted** - Requires the addition of an angled cover strip (supplied).

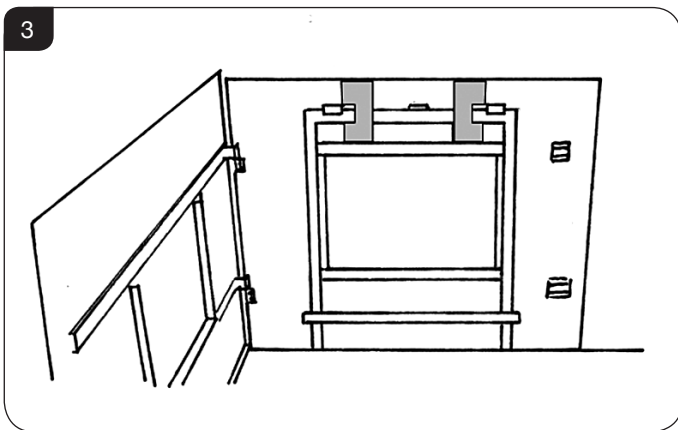
Hearth Mounted

- 2.1 Your battens must be positioned so that fixings can be used at 158.5mm distance from the flange of the appliance. Your batten width must not come closer than 110mm to the appliance flange, Diagram 2.

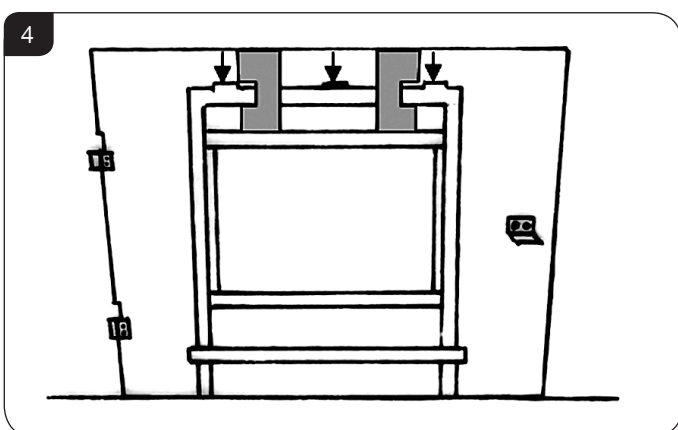
Installation Instructions



2.2 Separate the back and front sections of the frame. The frame must first be opened to 90° (right angles) to the back panel, Diagram 3.



2.3 Having completed the installation by referring to the Installation instructions, identify the 3 lugs on the top flange, Diagram 4.



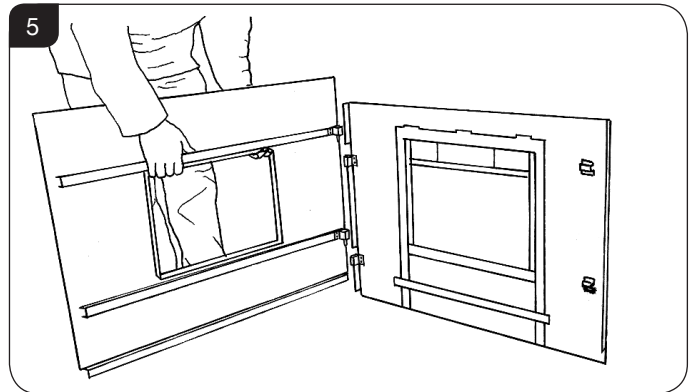
2.4 Place the back panel so that the tabs locate in the lugs on the top flange and the bracket rests against the top edge of the top flange. Ensure the back panel is resting centrally and mark the location of the fixing holes.

2.5 Remove the back panel and drill the seven fixing holes, push the rawlplugs into the holes and secure the back panel to the wall with the screws supplied.



THE FIXINGS SUPPLIED SHOULD BE SUFFICIENT WHEN MOUNTING ONTO A BRICK OR BLOCK WALL. YOU SHOULD, HOWEVER, USE SUITABLE FIXINGS WHEN MOUNTING ON A WALL CONSTRUCTED OF AN ALTERNATIVE MATERIAL.

2.6 Re-attach the front panel to the back by dropping the two pins into their appropriate barrels. Note this must be dropped into place at 90° (right angles) to the back panel, Diagram 5.

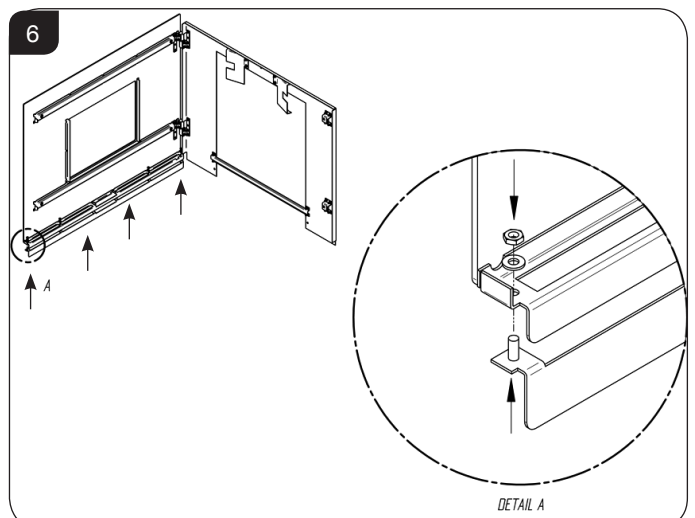


Wall Mounted

2.7 Secure the frame to the wall at the desired height in the same fixing method as the hearth mounting method.

2.8 Following successful installation of the frame the lower bracket of the frame requires an additional flange to ensure a quality finish.

2.9 To attach the angled cover strip open the door and secure to the base of the lower bracket by feeding the four fixed studs through the pre-drilled holes and securing with the washers and nuts provided in all four places Diagram 6.



3. Commissioning

3.1 Once the frame has been installed follow the Commissioning section in the Installation Instructions and ensure that the manuals are left with the user.

Gazco Limited, Osprey Road, Sowton Industrial Estate, Exeter, Devon, England EX2 7JG
Tel: (01392) 261999 Fax: (01392) 444148 E-mail: info@gazco.com

A member of the Stovax Group