



Fire Your Imagination

Riva2 500HL Slimline

**Inset Convectur Fire - Balanced Flue
with Thermostatic Remote Control**



IMPORTANT:

FOR EASY TO FOLLOW,
STEP BY STEP VIDEO
INSTRUCTIONS ON HOW TO
OPERATE AND MAINTAIN YOUR
GAZCO REMOTE SYSTEM GO TO
WWW.GAZCO.TV

Instructions for Use, Installation & Servicing

For use in GB & IE (Great Britain & Republic of Ireland).

IMPORTANT

THE OUTER CASING, FRONT AND GLASS PANEL BECOME EXTREMELY HOT DURING OPERATION AND WILL RESULT IN SERIOUS INJURY AND BURNS IF TOUCHED. IT IS THEREFORE RECOMMENDED THAT A FIREGUARD COMPLYING WITH BS 8423 (LATEST EDITION) IS USED IN THE PRESENCE OF YOUNG CHILDREN, THE ELDERLY OR INFIRM.

This product contains a Heat resistant glass panel. This panel should be checked during Installation and at each servicing interval. If any damage is observed on the front face of the glass panel (scratches, scores, cracks or other surface defects), the glass panel must be replaced and the appliance must not be used until a replacement is installed. Under no circumstances should the appliance be used if any damage is observed, the glass panel is removed or broken.

It is essential that ALL of the screws that retain the glass frame are replaced and tightened correctly. Under no circumstances should the appliance be operated if any of these screws are loose or missing.

These Instructions must be left with the appliance for future reference and for consultation when servicing the appliance. Please make the customer aware of the correct operation of the appliance before leaving these instructions with them.

The commissioning sheet found on Page 3 of this Instruction manual must be completed by the Installer prior to leaving the premises.

Contents

Riva2 500HL - Balanced Flue

Covering the following models:

Riva2 500HL Nat Gas	Riva2 500HL LPG
134-093	134-465

Appliance Commissioning Checklist	3
User Instructions	4
Installation Instructions	12
Technical Specifications	12
Site Requirements	14
Installation	17
Commissioning	32
Servicing Instructions	33
Fault Finding	33
How to Replace Parts	35
Basic Spare Parts List	40
Service Records	42
Information Requirement - Gas Heaters	43



If you have purchased your stove or fire from an authorised stockist within our Expert Retailer Network, then automatically your product will carry a 2 year warranty as standard. The 2 year warranty can be further extended to a total warranty period of 5 years by registering your Gazco Stove or Fireplace within one month of the latter of the purchase date or installation date. Accordingly, the start date for the warranty period is the date of purchase. During the registration process, the Expert Retailer details will be required for your Extended Warranty to be activated. Any product purchased outside of our Expert Retailer Network will carry a standard 12 month, non-extendable warranty.

It is a condition of the Extended Warranty that the installation complies with the relevant Building Regulations and is carried out by a suitably trained and qualified individual (GasSafe in the UK or equivalent in other countries) with the certificate of installation and the Commissioning Report on Page 3 completed and retained by the end user.

Full terms and conditions are detailed in the Warranty Statement on the Gazco website www.gazco.com. In the event of any conflict of information the wording on the website shall prevail.

Important Note: Should any problems be experienced with your product, claims must first be submitted to the Expert Retailer where the appliance was purchased from who will offer immediate assistance or contact Gazco on your behalf.



It is a requirement of the Building Regulations 2010 that the installation of this appliance is notified to the Local Authority. It is the responsibility of the GasSafe registered installer to carry out this notification to the Local Authority via the GasSafe register Competent Persons Scheme in England and Wales (different rules apply in Scotland and Northern Ireland).

When the installation has been notified, GasSafe will send a Building Regulations Compliance Certificate to you containing details of the work completed. Please ensure that the person responsible for the installation of this appliance completes this notification and records it in the Appliance Commissioning Checklist on page 3.

IT IS YOUR RESPONSIBILITY TO COMPLY WITH THE BUILDING REGULATIONS AND BE ABLE TO PRODUCE THIS CERTIFICATE SHOULD IT BE REQUIRED IN THE FUTURE.

Appliance Commissioning Checklist

To assist us in any guarantee claim please complete the following information:-

IMPORTANT NOTICE

Explain the operation of the appliance to the end user, hand the completed instructions to them for safe keeping, as the information will be required when making any guaranteed claims.

FLUE CHECK	PASS	FAIL
1. Flue Is correct for appliance		
2. Flue flow Test N/A		
3. Spillage Test N/A		
GAS CHECK		
1. Gas soundness & let by test		
2. Standing gas pressure	mb	
3. Appliance working pressure (on High Setting) NB All other gas appliances must be operating on full	mb	
4. Gas rate	m ³ /h	
5. Does Ventilation meet appliance requirements N/A		
SAFETY CHECK		
1. Glass checked to ensure no damage, scratches, scores or cracks		
2. Glass frame secured correctly and all screws replaced		
BUILDING CONTROL NOTIFICATION	YES	NO
1. Installer notified GasSafe/Local Authority of installation via Competent Persons Scheme?		

RETAILER AND INSTALLER INFORMATION

Retailer

Contact No......
Date of Purchase
Model No.
Serial No......
Gas Type

Installation Company.....

Engineer.....
Contact No......
GasSafe Reg No......
Date of Installation

User Instructions

Welcome

Congratulations on purchasing your Riva2 fire, if installed correctly Gazco hope it will give you many years of warmth and pleasure for which it was designed.

The purpose of this manual is to familiarise you with your appliance, and give guidelines for its installation, operation and maintenance. If, after reading, you need further information, please do not hesitate to contact your Gazco retailer.

WARNING




In the event of a gas escape or if you can smell gas, please take the following steps:

- **Immediately turn off the gas supply at the meter/emergency control valve**
- **Extinguish all sources of ignition**
- **Do not smoke**
- **Do not operate any electrical light or power switches (On or Off)**
- **Ventilate the building(s) by opening doors and windows**
- **Ensure access to the premises can be made**

Please report the incident immediately to the National Gas Emergency Service Call Centre on 0800 111 999 (England, Scotland and Wales) , 0800 002 001 (N. Ireland) or in the case of LPG, the gas supplier whose details can be found on the bulk storage vessel or cylinder.

The gas supply must not be used until remedial action has been taken to correct the defect and the installation has been recommissioned by a competent person.

1. General

- 1.1 Installation and servicing must only be carried out by a competent person whose name appears on the GasSafe register. To ensure the engineer is registered with GasSafe they should possess an ID Card carrying the following logo:

- 1.2 In all correspondence, please quote the appliance type and serial number, which can be found on the data badge located on a plate attached to the lower slotted trim or on the Commissioning Checklist on Page 3.
- 1.3 Do not place curtains above the appliance: You must have 300mm clearance between the appliance and any curtains at either side.
- 1.4 No furnishings or other objects should be placed within 1 metre of the front of the appliance.
- 1.5 If a shelf is fitted, a distance of 150 mm above the top of appliance glass aperture is required.
- 1.6 If any cracks appear in the glass panel do not use the appliance until the panel has been replaced.
- 1.7 If, for any reason, the flue has to be removed from the appliance, the seals must be replaced in the inner spigot.
- 1.8 Do not obstruct the flue terminal in any way, i.e. by planting flowers, trees, shrubs etc. in the near vicinity, or by leaning objects against the terminal guard.
- 1.9 Do not put any objects on the terminal guard; it will lose its shape.
- 1.10 If you use a garden sprinkler, do not let quantities of water into the flue terminal.
- 1.11 This product is guaranteed for 5 years from the date of installation, as set out in the terms and conditions of sale between Gazco and your local Gazco retailer. Please consult with your local Gazco retailer if you have any questions. In all correspondence always quote the Model Number and Serial Number.

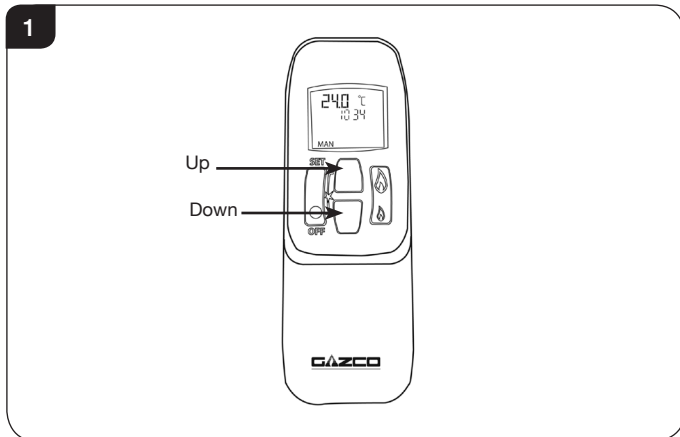


IMPORTANT: NEVER position a television or screen above this appliance.

User Instructions

2. Operating the Appliance

The appliance is operated by thermostatic remote control.



2.1 Turning the appliance On

Your remote can control the gas appliance from pilot ignition through to shut down.

To turn the appliance on press the OFF button and the UP button simultaneously. You hear several short signals.

The pilot and main burner ignite and the remote is now in Manual Mode:

IMPORTANT: YELLOW FLAMES TYPICALLY APPEAR WHEN THE APPLIANCE HAS REACHED NORMAL OPERATING TEMPERATURE. THIS CAN TAKE UP TO 30 MINUTES.

WARNING: IF THE APPLIANCE FAILS TO LIGHT OR BECOMES EXTINGUISHED IN USE, WAIT 3 MINUTES BEFORE ATTEMPTING TO RELIGHT.

2.2 There are 3 different modes available for controlling and operating the appliance:

1. Manual Mode
2. Temp Mode (Automatic)
3. Timer Mode (Automatic)

2.3 In **MANUAL MODE** you can:

- turn on the main burner using the UP button
- regulate the flame from high to low and back
- turn off the burner leaving just the pilot burning

In **TEMP MODE (Automatic)** you can:

- set the room temperature so the thermostat in the remote automatically maintains that temperature

In **TIMER MODE (Automatic)** the appliance:

- turns on and off according to the set time periods
- automatically regulates the room temperature during the set periods

i **NOTE:** When operating the appliance in Temp or Timer mode, the pilot remains lit and the appliance then automatically switches on at programmed times to bring the room to the set temperature whether or not you are in the room.
NEVER LEAVE ANY COMBUSTIBLE MATERIALS WITHIN 1 METRE OF THE FRONT OF THE APPLIANCE.

Switching Between Modes

2.4 Press the SET button to change to Temperature Mode. Press again to change to Timer Mode. Keep pressing to run through all operating modes. These are:

- MAN
- DAY TEMP
- NIGHT TEMP
- TIMER

and back to MAN

NOTE: MAN mode can also be reached by pressing either the UP or DOWN button.

Manual Mode

2.5 Press the OFF button and the UP button simultaneously. You hear several clicks and audible beeps as the appliance begins the ignition process, (up to 30 seconds).

Turning the appliance Off:

Press the OFF button to turn the appliance off.

FOR SAFETY, YOU MUST WAIT 30 SECONDS BEFORE LIGHTING THE APPLIANCE AGAIN.

Increasing the Flame Height:

Press the UP button once to increase flame height one stage. Press and hold the UP button to increase to maximum.

Decreasing the Flame Height:

Press the DOWN button once to decrease flame height one stage. Press and hold the DOWN button to decrease to minimum. At the lowest point the appliance goes to 'Standby Mode' (Only Pilot lit).

i **NOTE:** While pressing a button a symbol indicating transmission appears on the display. The receiver confirms transmission with a sound signal.

User Instructions

Temp Mode (Automatic)

2.6 The display shows the current **room** temperature.

To increase or decrease the appliance's output:

Press the SET button to select either the DAY TEMP or the NIGHT TEMP mode by briefly pressing the SET button.

Hold the SET button until the TEMP display flashes and then let go.

Set the desired temperature with the UP and DOWN arrows (Minimum temperature 5C, maximum 40C or 40F to 99F when Fahrenheit is the preferred option).

Press the OFF button to stop the display flashing or wait to return to TEMP mode.



NOTE: If you set a temperature that is beneath the current room temperature, the appliance automatically switches to PILOT (Stand by).

If you would like the Night temperature control to turn off then decrease the temperature until [--] is displayed.

Timer Mode (Automatic)

2.7 There are two programmable settings you can make over a 24 hour period, P1 and P2. These are normally used to provide an early morning and evening setting for each working week:

- P1 + ● = Start Timed Setting 1
- P1 + ⤴ = End of Timed Setting 1
- P2 + ● = Start Timed Setting 2
- P2 + ⤴ = End of Timed Setting 2

2.8 **P1 - Program 1 for a Timed Setting**

Press the SET button until the TIMER mode is displayed.

Hold the SET button. The displays flashes the current time for P1. **While the time displayed is flashing you can alter the hours and minutes set.**

To set the time your appliance first lights, change P1 ●

- Press the UP button to alter the hour
- Press the DOWN button to alter the minutes in 10 minute increments

Press SET again to move to the end setting for P1 ⤴ This is the time your appliance first shuts down:

- Press the UP button to alter the hour
- Press the DOWN button to alter the minutes

2.9 **P2 - Program 2 for a Timed Setting**

Use the same steps outlined in 2.8 to change the setting for P2.

If you have already set P1 and want to alter the setting for P2 only:

- Press the SET button until TIMER mode is displayed.
- Hold the SET button **until the display flashes the current time** for P1 ●
- Press the SET button once again to scroll past the settings for P1 ● and P1

With the time still flashing:

- Press the UP button to alter the hour
- Press the DOWN button to alter the minutes

Once all four times are set press the OFF button

2.10 To view existing settings:

- Select Timer Mode
- Press and briefly hold the SET button you see the start time for P1
- Repeat the above step for the start and end of each program

Low Battery

"BATT" is displayed on the remote when its batteries need replacement.

Setting the time

Simultaneously press the up and down buttons.

Press the up button to set the hour and the down button to set the minutes.

Press OFF to return to the manual mode or simply wait.

Setting the °C/24 Hour or °F/12 Hour clock

Press OFF and the down arrow until the display changes from °C/24 hour clock to °F/12 hour clock and vice versa.



If the remote is removed, lost or damaged, signals transmitted to the receiver cease. Your appliance will go to standby (pilot) mode after 6 hours.

User Instructions

Troubleshooting



IMPORTANT: In the unlikely event that the handset fails to communicate correctly with the appliance it may be necessary to turn off the gas supply at the isolation valve until any problems can be resolved.

The gas meter and isolation valve can be located outside in a meter box, under the stairs, beneath the kitchen sink or in the garage. Whilst this list is not exhaustive, it is important to be able to identify the location of the valve in case of any gas emergency.

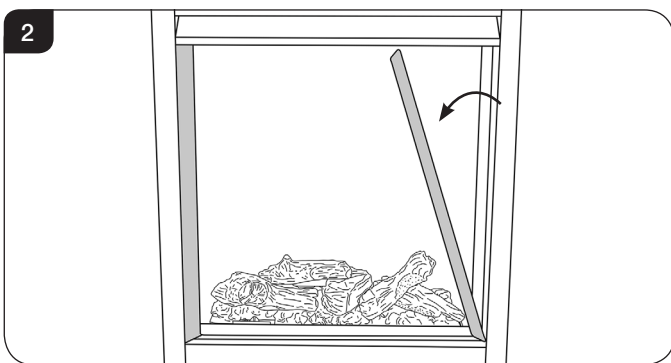
To turn off the gas supply, simply turn the handle so the lever is at 90 degrees to the upright gas pipe.

If you smell gas, open doors and windows and never operate any electrical switches. Immediately call the Gas Emergency Services on 0800 111 999.

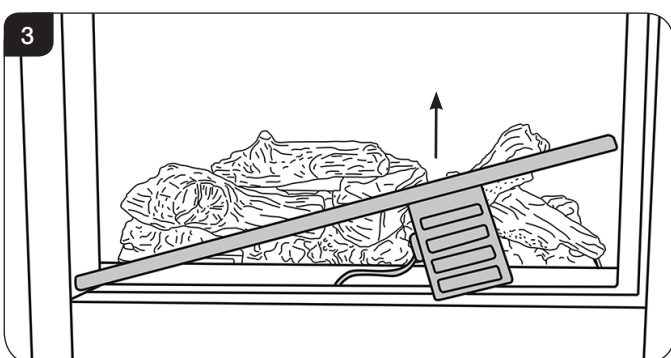
3. Changing the Appliance Batteries

The appliance batteries are located on a bracket attached to the lower slotted trim.

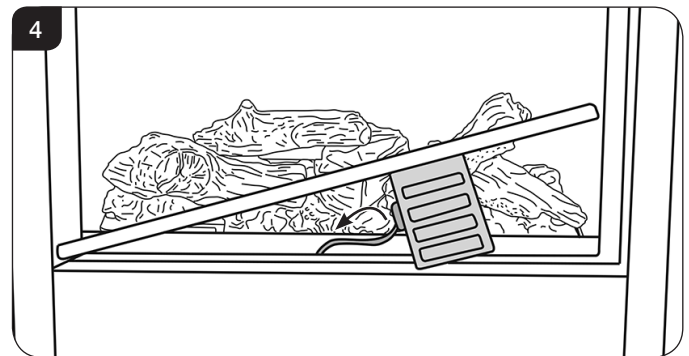
- 3.1 Make sure the appliance and surrounds are cool before removing the batteries.
- 3.2 Remove the 2 side trims, see Diagram 2. These are held on by magnets.



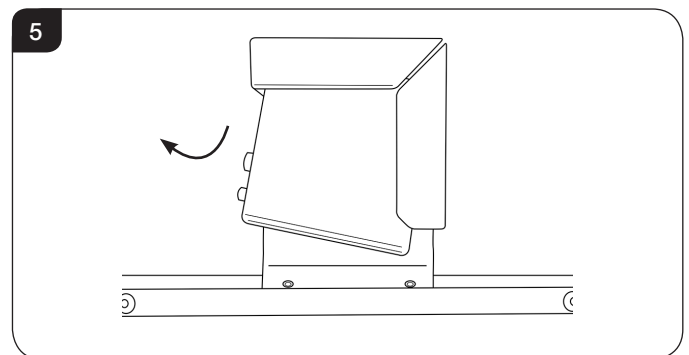
- 3.3 Lift out the bottom slotted trim, see Diagram 3. Note the orientation of the metal shield for reassembly.



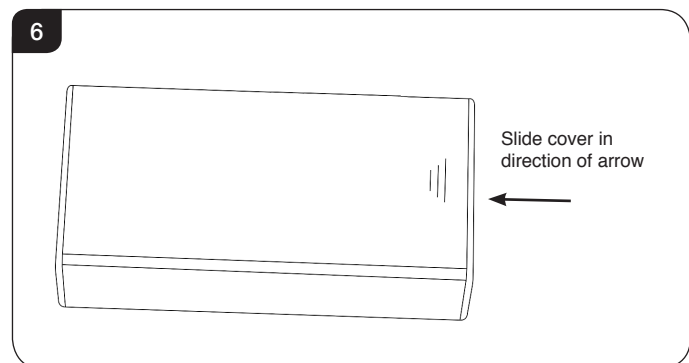
- 3.4 Disconnect the battery lead from the battery pack, see Diagram 4.



- 3.5 Remove the battery pack from the bracket, see Diagram 5.



- 3.6 Remove the cover by sliding off in the direction of the arrow as shown in Diagram 6.



- 3.7 Correctly position the four new AA size batteries into the battery holder.

i It is essential to use high quality batteries (Duracell or equivalent) when replacing batteries in the handset or control box.

- 3.8 Re-assemble in reverse order.

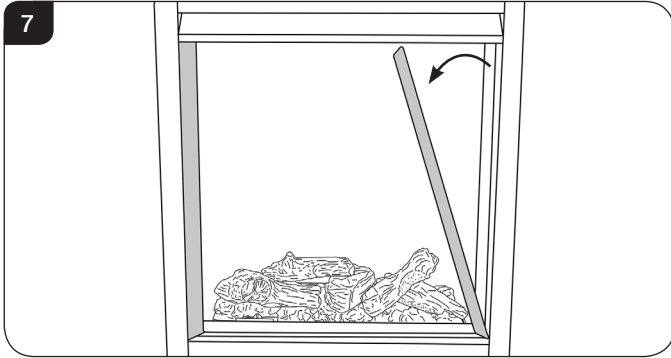


PLEASE ENSURE NO WIRES ARE TRAPPED BEFORE REPLACING THE LOWER SLOTTED TRIM. THE LEADS ARE EASILY DAMAGED.

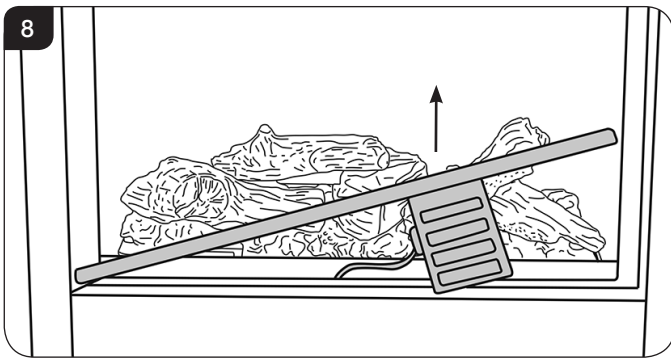
User Instructions

4. Cleaning the Appliance

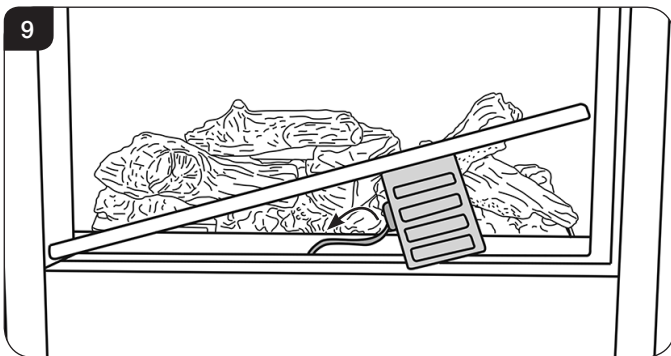
- 4.1 Make sure the appliance and surrounds are cool before cleaning.
- 4.2 Remove the glass frame by removing the 2 side trims, see Diagram 7. These are held on by magnets.



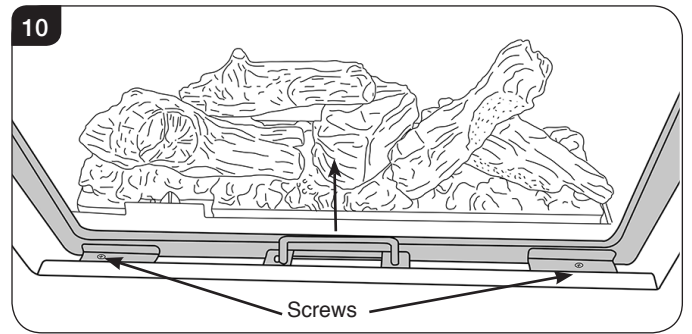
- 4.3 Lift out the bottom slotted trim, see Diagram 8. Note the orientation of the metal shield for reassembly.



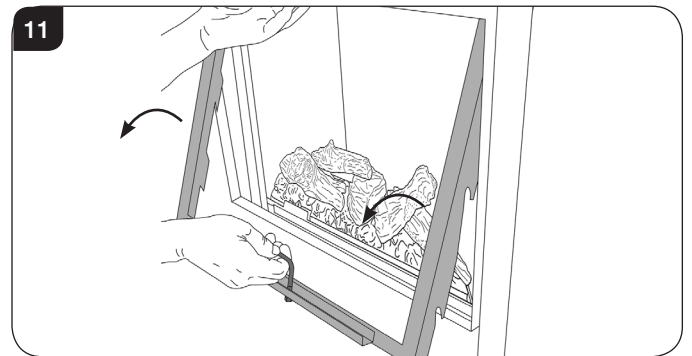
- 4.4 Disconnect the battery lead from the battery pack attached to the lower slotted trim, see Diagram 9.



- 4.5 Remove the 2 screws at the base of the glass frame, see Diagram 10.



- 4.6 Pull up the handle at the front, see Diagram 10.
- 4.7 Whilst supporting the top, lift the glass frame using the handle, up and over the lower edge, see Diagram 11.

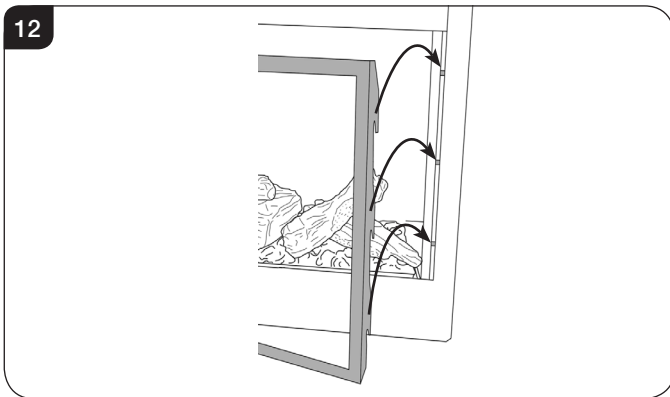


- 4.8 Remove the logs and Embaglow and place on a dry, clean surface.
- 4.9 The logs should not require cleaning. Do not use a vacuum cleaner or brush to clean the logs, any large pieces of debris may be removed by hand.
- 4.10 Ensure any debris is removed from the burner ports.
- 4.11 Use a damp cloth to clean the outer casing of the appliance.
- 4.12 To clean the glass surface use a non abrasive glass cleaner and soft cloth.
- 4.13 The glass frame must be refitted to the appliance following cleaning or servicing.

Ensure that the rope seal on the back of the glass frame is intact.

User Instructions

- 4.14 To replace the glass frame, position so the hooks on the back of the frame fit over the side pins, see Diagram 12.



- 4.15 Push the handle down.
- 4.16 Replace the screws. As the screws are tightened the glass frame is pulled down against the hooks and forms a seal. **Replace ALL of the securing screws ensuring that a screw is present in all fixing slots.**



UNDER NO CIRCUMSTANCES SHOULD THE APPLIANCE BE USED IF ANY OF THE GLASS FRAME RETAINING SCREWS ARE LOOSE OR MISSING

- 4.17 Connect the battery lead to the battery pack attached to the lower slotted trim.



PLEASE ENSURE NO WIRES ARE TRAPPED BEFORE REPLACING THE LOWER SLOTTED TRIM. THE LEADS ARE EASILY DAMAGED.

- 4.18 Replace the lower trim, ensuring that the angled metal shield is sloping towards the door frame.
- 4.19 Replace the 2 magnetic side trims.

NEVER OPERATE THE APPLIANCE WHEN THE GLASS FRAME IS REMOVED OR BROKEN.

- 4.20 Replace the decorative front by referring to the separate instructions supplied with the front.

NOTE: ENSURE THAT THE LOGS ARE POSITIONED CORRECTLY, SEE SECTION 5. ONLY USE THE CORRECT AMOUNT OF LOGS AS SPECIFIED IN THE DIAGRAMS.

Advice on handling and disposal of fire ceramics



The fuel effect and side panels in this appliance are made from Refractory Ceramic Fibre (RCF), a material which is commonly used for this application.

Protective clothing is not required when handling these articles, but we recommend you follow normal hygiene rules of not smoking, eating or drinking in the work area and always wash your hands before eating or drinking.

To ensure that the release of RCF fibres are kept to a minimum, during installation and servicing a HEPA filtered vacuum is recommended to remove any dust accumulated in and around the appliance before and after working on it. When servicing the appliance it is recommended that the replaced items are not broken up, but are sealed within heavy duty polythene bags and labelled as RCF waste.

RCF waste is classed as stable, non-reactive hazardous waste and may be disposed of at a licensed landfill site.

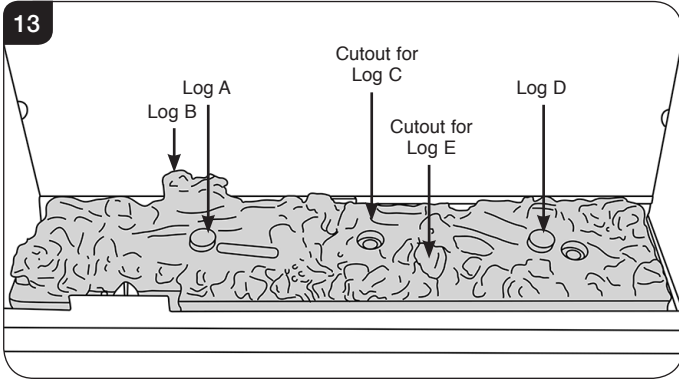
Excessive exposure to these materials may cause temporary irritation to eyes, skin and respiratory tract; wash hands thoroughly after handling the material.

User Instructions

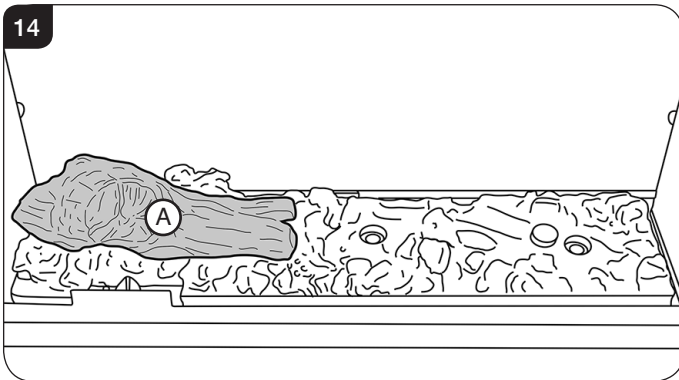
5. Arrangement of Fuel Bed Components

LOGS MUST BE POSITIONED ACCORDING TO THE FOLLOWING INSTRUCTIONS TO GIVE THE CORRECT FLAME EFFECT.

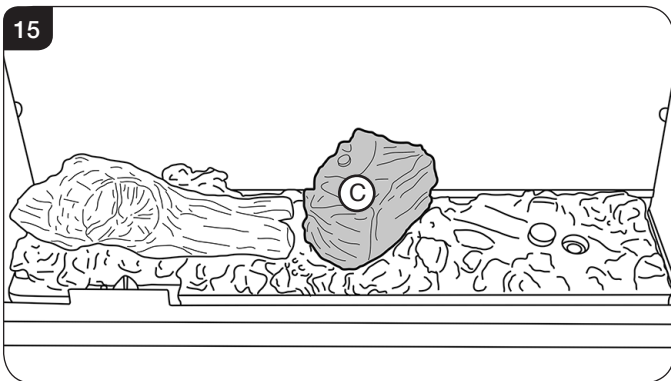
- 5.1 Ensure the burner tray is clean and free from any debris.
- 5.2 There are raised studs of the burner to locate the logs, see Diagram 13.



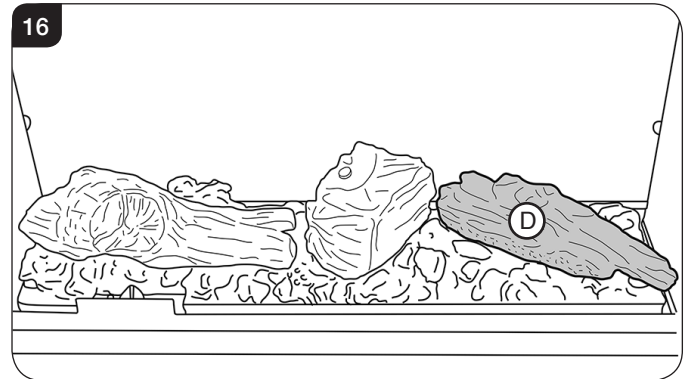
- 5.3 The logs for the fuel bed are clearly individually labelled.
- 5.4 Place Log A on the raised stud on the left hand side of the burner, see Diagrams 13 & 14.



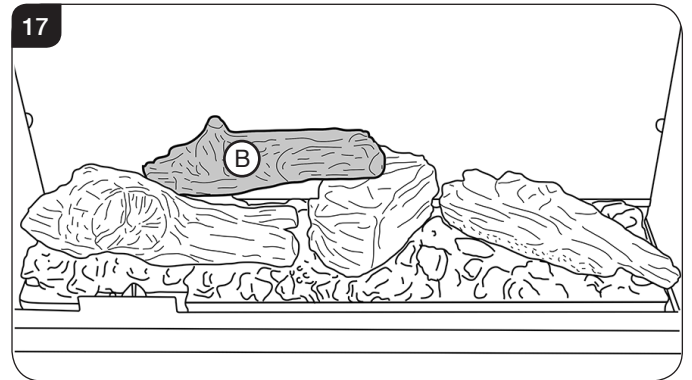
- 5.5 Place Log C in the cutout at the centre of the burner tray, see Diagrams 13 & 15.



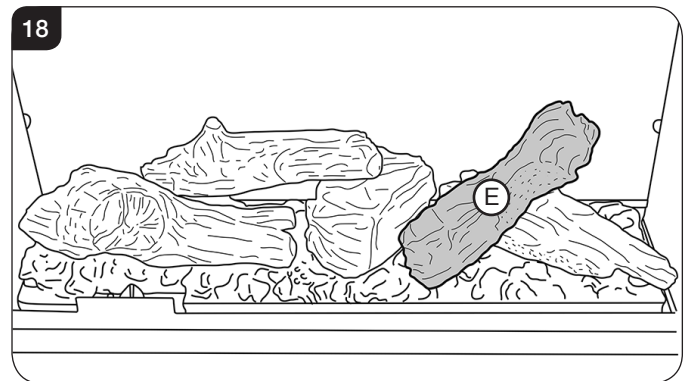
- 5.6 Place Log D on the raised stud in the cutout on the right hand side of the burner tray, see Diagrams 13 & 16.



- 5.7 Place the right hand side of Log B on the raised stud on Log C and the left hand side on the raised section at the back left of the burner tray, see Diagrams 13 & 17.

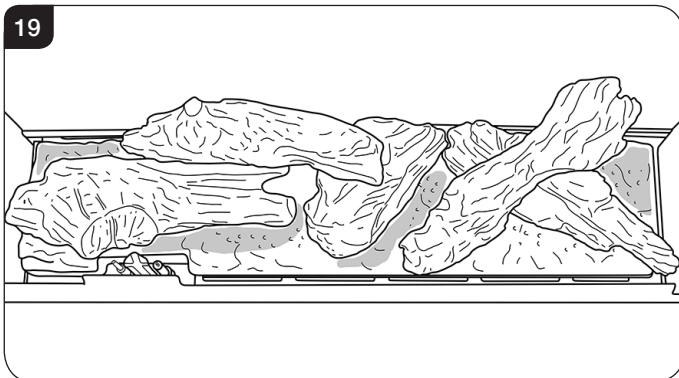


- 5.8 Place the left hand side of Log E in the cutout on burner tray, see Diagram 13. Rest the right hand side on the raised stud on Log D, see Diagram 18.



User Instructions

- 5.9 Sparingly spread an amount of the Embaglow fibres provided on the sections highlighted, see Diagram 19. Take care not to use more than half a packet per application.



NOTE: ENSURE THAT THE LOGS ARE POSITIONED AS ABOVE. ONLY USE THE CORRECT AMOUNT OF LOGS AS SPECIFIED IN THE DIAGRAMS.

6. Flame Failure Device

- 6.1 This is a safety feature incorporated on this appliance which automatically switches off the gas supply if the pilot goes out and fails to heat the thermocouple.

IF THIS OCCURS DO NOT ATTEMPT TO RELIGHT THE APPLIANCE FOR 3 MINUTES.

7. Running In

- 7.1 During initial use of a new Gazco appliance a strong odour will be encountered as various surface coatings become hot for the first time. Although these odours are harmless it is recommended that the appliance is operated on maximum for 4 to 8 hours in order to fully burn off these coatings. After this period the odours should then disappear.

If the odours persists, please contact your installer for advice.

- 7.2 During the first few hours of burning there may be discolouration of the flames. This will also disappear after a short period of use.

8. Servicing

- 8.1 The appliance must be serviced every 12 months by a qualified Gas Engineer. In all correspondence always quote the Model number and the Serial number which may be found on the Commissioning Checklist (Page 3).

9. Ventilation

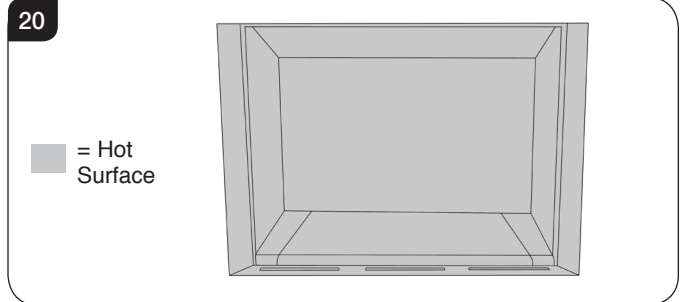
- 9.1 This appliance requires no additional ventilation.

10. Installation Details

- 10.1 Your installer should have completed the commissioning sheet at the front of this book. This records the essential installation details of the appliance. In all correspondence always quote the Model number and Serial number.

11. Hot Surfaces

- 11.1 Parts of this appliance become hot during normal use.
11.2 Regard all parts of the appliance as a working surface.
11.3 Provide a suitable fire guard to protect young children and the infirm.



12. Appliance will not light

If you cannot light the appliance:

- 12.1 Check and change the batteries in the remote handset.
12.2 Check and change the appliance batteries (see Section 3).
12.3 Consult your Gazco retailer or installer if the appliance still does not light.

Installation Instructions

Technical Specification

Covering the following models:

Riva2 500HL Nat Gas	Riva2 500HL LPG
134-093	134-465

Model	Gas CAT.	Gas Type	Working Pressure	Aeration	Injector	Gas Rate m ³ /h	Input kW (Gross)		Country
							High	Low	
Riva2 500HL	I ₂ H	Natural Gas (G20)	20mbar	8mm	S71	0.571	6.0	3.2	GB, IE
Riva2 500HL	I ₃ P	Propane (G31)	37mbar	16mm	S109	0.184	4.9	2.8	GB, IE
Efficiency Class 1 - 86% / NO_x Class 4									
Flue Outlet Size Ø 100mm									
Flue Inlet Size Ø 152mm Ø									
Gas Inlet Connection Size Ø 8mm									

i The net efficiency of this appliance has been measured as specified in EN613:2001 and the result after conversion to gross using the appropriate factor from Table E4 of SAP 2012 is 79.2%. The test data has been certified by Kiwa Nederland BV. The gross efficiency value may be used in the UK Government's Standard Assessment Procedure (SAP) for energy rating of dwellings.

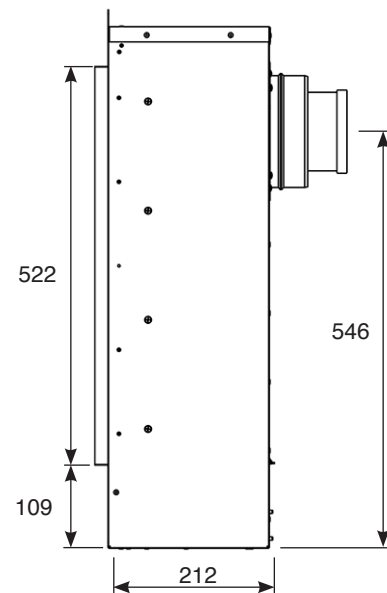
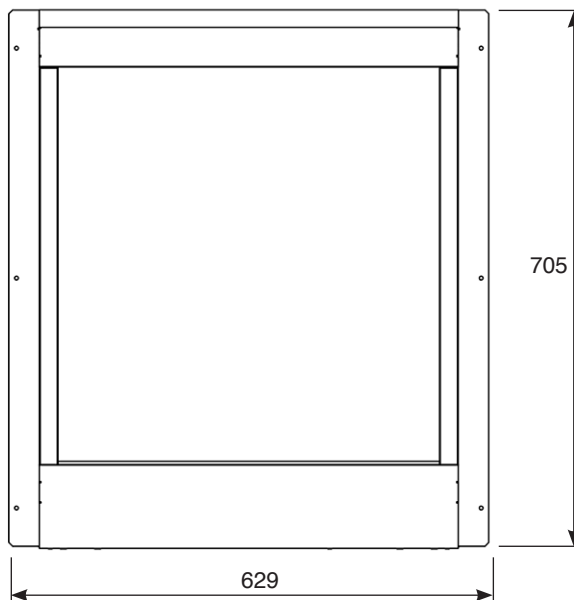
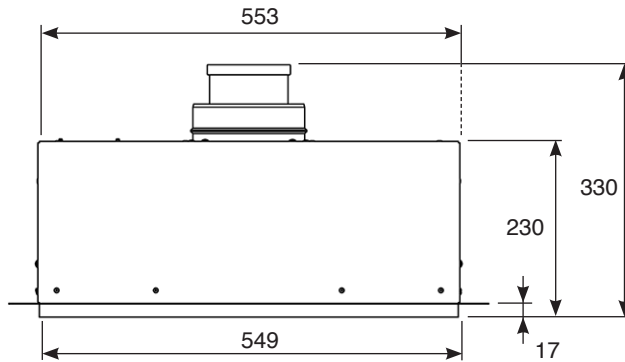
Installation Instructions

Technical Specification

This appliance has been certified for use in countries other than those stated. To install this appliance in these countries, it is essential to obtain the translated instructions and in some cases the appliance will require modification. Contact Gazco for further information.

PACKING CHECKLIST

Qty	Description	Fixing kit containing
1 x	Cassette and burner assembly	1 x Instruction manual
1 x	Lining Set	6 x Woodscrews
1 x	Log set (5 logs)	6 x Wall plugs
1 x	Rebate bracket set	1 x Self adhesive foam strip
		1 x Handset
		4 x AA cell batteries
		1 x 9v cell battery
		1 x Battery Holder



Installation Instructions

Site Requirements

1. Flue & Chimney Requirements

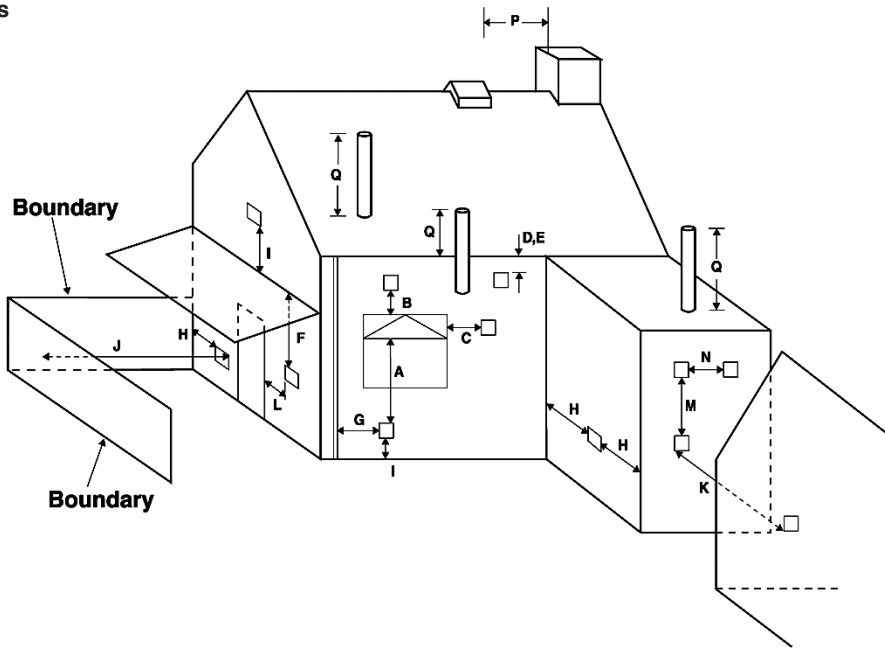
Note: This appliance must only be installed with the flue supplied.

You must adhere to the following:

- 1.1 The flue must be sited in accordance with BS5440: Part 1 (latest edition), see Diagram 1.
- 1.2 Fit a guard to protect people from any terminal less than 2 metres above any access such as level ground, a balcony or above a flat roof.
- 1.3 All horizontal flues must be securely fixed and fire precautions followed in accordance with local and national codes of practice.
- 1.4 To measure for a horizontal terminal decide on the terminal position.

- 1.5 Measure the height from the top of the appliance to the centre of the required outlet.
- 1.6 For minimum and maximum flue dimensions see Section 2.
- 1.7 Support the opening of a masonry installation with a lintel.
- 1.8 Only the horizontal terminal section can be reduced in size.

1 UK Dimensions



Dimension	Terminal Position	Minimum Distance
A*	Directly below an opening	600mm
B*	Above an opening	300mm
C*	Horizontally next to an opening	400mm
D	Below gutters, soil pipes or drain pipe	300mm
E	Below eaves	300mm
F	Below balcony or car port roof	600mm
G	From a vertical drain pipe or soil pipe	300mm
H	From an internal or external corner or to a boundary alongside the terminal	600mm
I	Above ground, roof or balcony level	300mm

Dimension	Terminal Position	Minimum Distance
J	From a surface or boundary facing the terminal	600mm
K	From a terminal facing the terminal	600mm
L	From an opening in the car port (e.g. door, window) into the dwelling	1200mm
M	Vertically from a terminal on the same wall	1200mm
N	Horizontally from a terminal on the same wall	300mm
P	From a structure on the roof	600mm
Q	Above the highest point of intersection with the roof	300mm

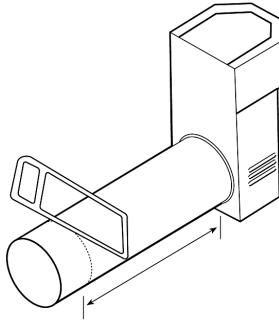
* In addition, the terminal should not be nearer than 300mm to an opening in the building fabric formed for the purpose of accommodating a built-in element such as a window frame.

Installation Instructions

Site Requirements

2. Rear Flue

2



Terminal dimensions:
395 x 200 x 200 mm (H x W x D)
Guard supplied
Cut to length as required on site.

- 2.1 Decide on the terminal position.
 - 2.2 Measure the height from the finished hearth level/ base of the appliance to the centre of the required hole.
 - 2.3 A masonry installation requires the addition of a suitable lintel to support the opening. Refer to Installation Instructions, Technical Information for details of the flue length.
- NOTE - Carefully consider:
- a) Terminal positions
 - b) Flue supports
 - c) Weatherproofing
 - d) Fire precautions
- For all the above options, you must conform to local and national codes of practice.
- 2.4 Use only Gazco supplied flue on this appliance.
 - 2.5 A guard (supplied) must be fitted to any terminal less than 2 metres above any access such as level ground, a balcony or above a flat roof.

Timber Framed Buildings

- 2.6 It will be necessary to provide additional clearance when the flue passes through a wall containing any combustible materials so as to prevent a fire hazard.
- 2.7 The hole through which the flue will pass, must have a steel sleeve which is positioned so that an air gap of at least 25mm is maintained between the outer surface of the flue, and any part of the sleeve.
- 2.8 For further guidance on the installation of gas appliances in timber framed buildings, contact your local buildings control authority.

3. Gas Supply

This appliance is intended for use on a gas installation with a governed meter.

- 3.1 Before installation, ensure that the local distribution conditions (identification of the type of gas and pressure) and the adjustment of the appliance are compatible.
- 3.2 Ensure the gas supply delivers the required amount of gas and is in accordance with the rules in force.
- 3.3 Soft copper tubing can be used on the installation and soft soldered joints outside the appliance.
- 3.4 If it is intended to conceal the gas supply within the wall cavity, there must be no joints in any part of the supply that are not readily accessible when the appliance has been installed.
- 3.5 A factory fitted isolation device is part of the inlet connection; no further isolation device is required.
- 3.6 All supply gas pipes must be purged of any debris that may have entered prior to connection to the appliance.
- 3.7 The gas supply enters through the silicone panel located on the LEFT-HAND rear or base of the outer box. Slit with a sharp knife before passing the supply pipe through.
- 3.8 The gas supply must be installed in a way that does not restrict the removal of the appliance for servicing and inspection.
- 3.9 The supply pipe may be installed in several ways.
 - 1) By drilling a hole straight through the outside wall. There is a cutout in the back panel of the appliance to allow the pipe to be concealed within the appliance.
 - 2) The gas pipe can be concealed by cutting a channel in the wall. All current regulations must be adhered to and no pipe joint must be concealed in the wall.

Installation Instructions

Site Requirements

4. Ventilation

- 4.1 This appliance requires no additional ventilation.

5. Appliance Location

i **NOTE: THIS APPLIANCE HAS BEEN PRIMARILY DESIGNED TO BE RECESSED INTO THE INTERNAL BRICKWORK OF A STANDARD CAVITY WALL. HOWEVER, IT IS ALSO POSSIBLE TO INSTALL THE APPLIANCE INTO A FALSE CHIMNEY BREAST CONSTRUCTED OF STUDWORK AND HEAT RESISTANT CLADDING.**

- 5.1 If this appliance is fitted less than 116mm from the floor or viewing area less than 225mm from the floor then it will require a hearth to protect the floor. The hearth should have a minimum non combustible thickness of 12mm, projecting 300mm in front and 150mm either side of the base of the appliance.

The three methods of studwork installation are:

Frame (see Installation Instructions, Section 5).
Edge (see Installation Instructions, Section 6).
Cool Wall (see Installation Instructions, Section 7).

- 5.2 This appliance must stand on a non-combustible platform that is at least 12mm thick.

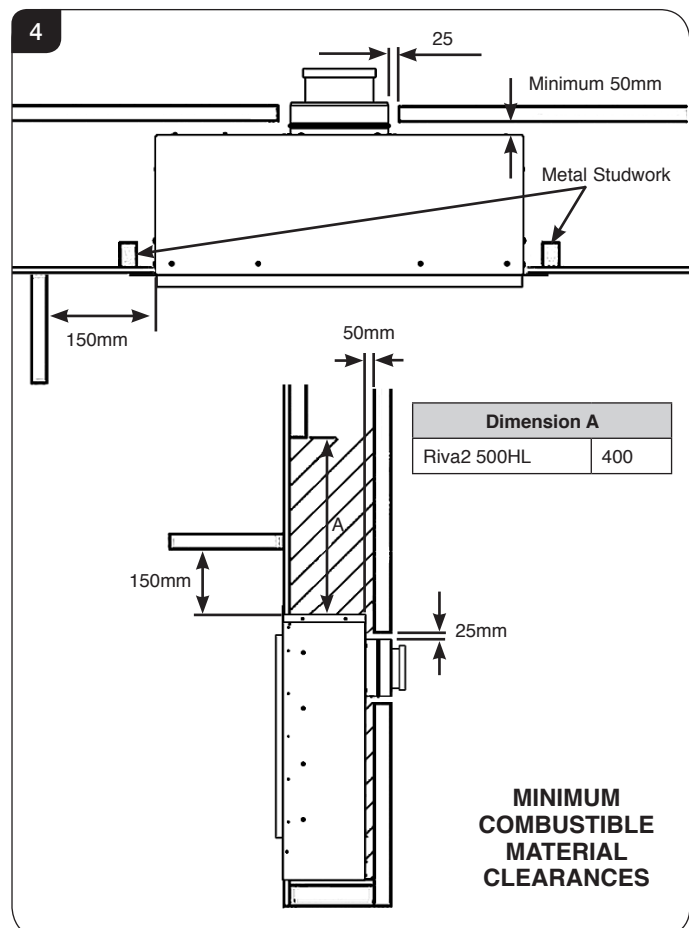
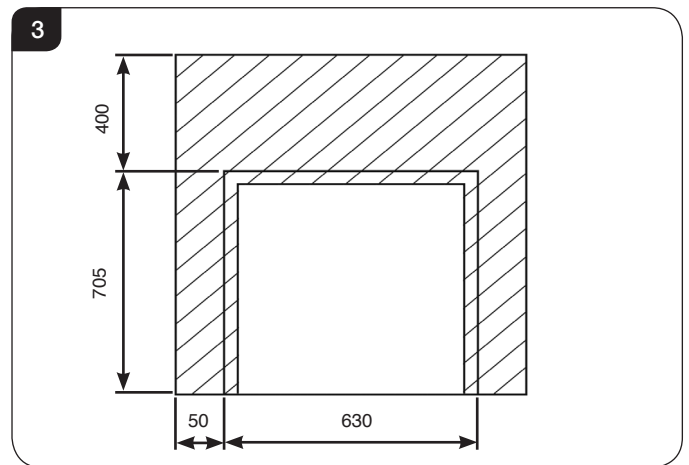
! **NOTE: WHEN INSTALLING THIS APPLIANCE USING THE 'EDGE' OPTION IT IS RECOMMENDED THAT THE WALL IS FINISHED WITH EITHER SLIPS OR TILES MANUFACTURED FROM STONE OR SIMILAR NATURAL MATERIALS. IF SUCH MATERIALS ARE USED IT IS RECOMMENDED THAT THEY ARE CUT INTO FOUR OR MORE SECTIONS TO PREVENT CRACKING.**

RESIN BASED MATERIALS (EG MICRO MARBLE) ARE NOT USUALLY RECOMMENDED DUE TO THE EFFECT OF HEAT ON RESINS. HOWEVER THEY CAN BE USED IF THEY HAVE BEEN MANUFACTURED FOR USE AT ELEVATED TEMPERATURES WITHOUT PRODUCING ANY ODOURS OR STAINING.

- 5.3 A combustible shelf must be:
- Maximum 180mm in depth.
 - Minimum 150mm high above the top of the appliance glass aperture.

A combustible side wall must be a minimum of 150mm from the appliance.

- 5.4 This appliance is not suitable for installation onto or against a combustible wall. Remove all combustible material from the area shown, see Diagrams 3 and 4.



Installation Instructions

1. Safety Precautions

- 1.1 For your own and other's safety, you must install this appliance according to local and national codes of practice. Failure to install the appliance correctly could lead to prosecution. **Read these instructions before installing and using this appliance.**
- 1.2 These instructions must be left intact with the user.
- 1.3 Do not attempt to burn rubbish on this appliance.
- 1.4 Keep all plastic bags away from young children.
- 1.5 Do not place any object on or near to the appliance and allow adequate clearance above the appliance.

IF THE APPLIANCE IS EXTINGUISHED OR GOES OUT IN USE, WAIT 3 MINUTES BEFORE ATTEMPTING TO RELIGHT THE APPLIANCE.



IMPORTANT: REFER TO DATA BADGE AND TECHNICAL SPECIFICATION AT THE FRONT OF THE MANUAL TO ENSURE THE APPLIANCE IS CORRECTLY ADJUSTED FOR THE GAS TYPE AND CATEGORY APPLICABLE IN THE COUNTRY OF USE.

FOR DETAILS OF CHANGING BETWEEN GAS TYPES REFER TO SERVICING, SECTION 12, REPLACING PARTS.

Unpacking

- 1.6 Remove the appliance from its packaging, and check that it is complete and undamaged.

Put the loose ceramic parts to one side so that they are not damaged during installation.

2. Installation of the Appliance

- 2.1 There are 3 methods of installation:

- Edge finish Installation.

- Installation with a decorative front.

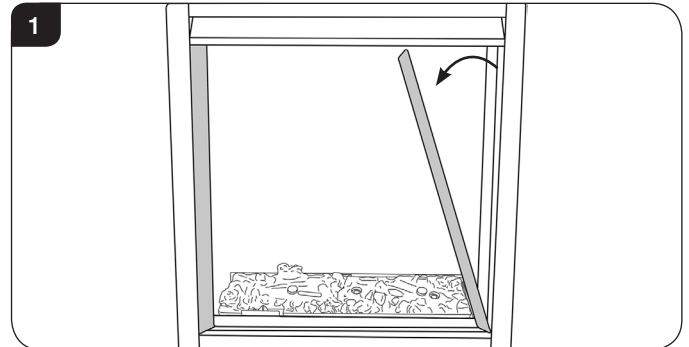
NOTE: If you have purchased a Gazco Esprit this will need to be fitted as a rebate installation.

- Rebate Installation

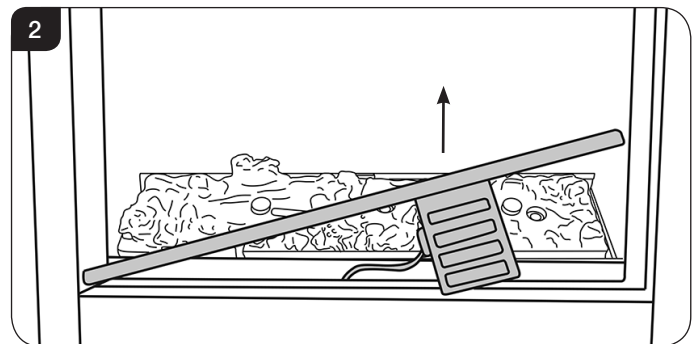
Carefully read the relevant section for the installation method required with the site materials being used.

3. Removing the Glass Frame

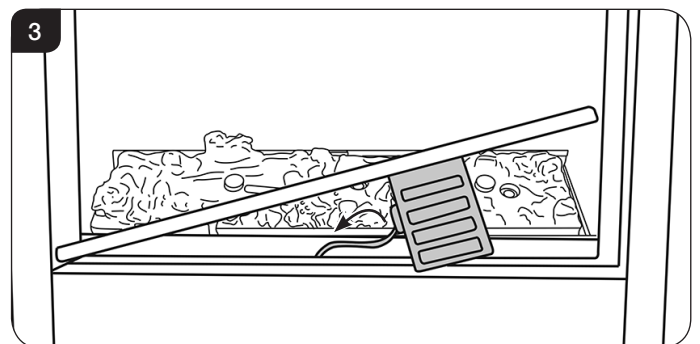
- 3.1 Remove the glass frame by removing the 2 side trims, see Diagram 1. These are held on by magnets.



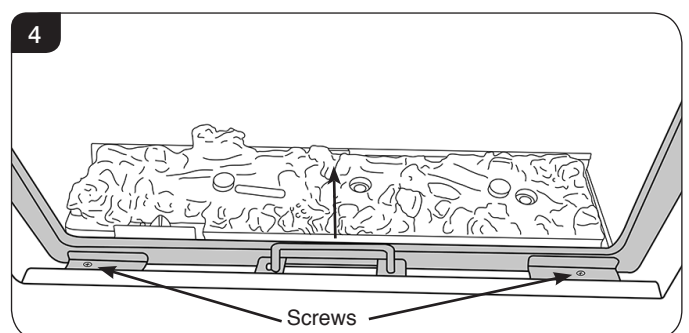
- 3.2 Lift out the bottom slotted trim, see Diagram 2. Note the orientation of the metal shield for reassembly.



- 3.3 Disconnect the battery lead from the battery pack attached to the lower slotted trim, see Diagram 3.

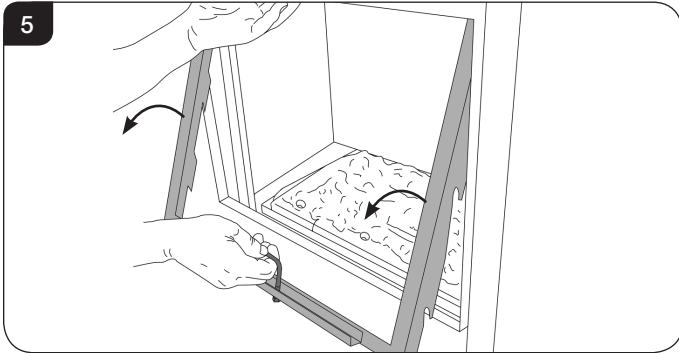


- 3.4 Remove the 2 screws at the base of the glass frame, see Diagram 4.



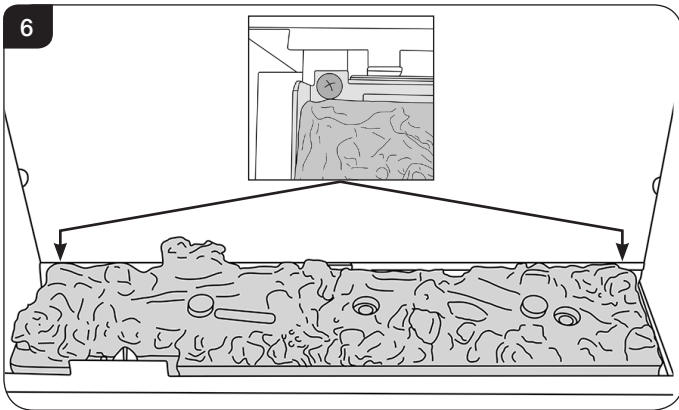
Installation Instructions

- 3.5 Pull up the handle at the front, see Diagram 4.
- 3.6 Whilst supporting the top, lift the glass frame using the handle, up and over the lower edge, see Diagram 5.

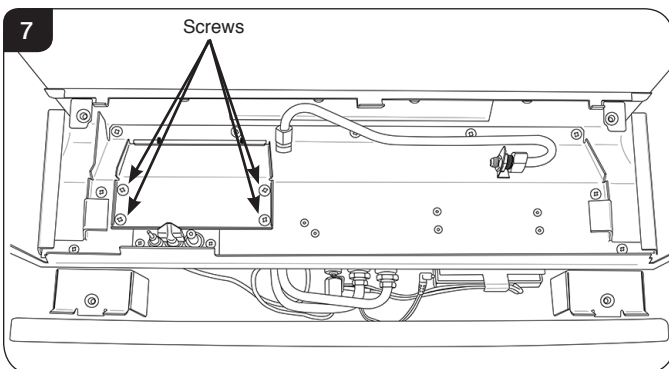


4. Removing the Main Burner

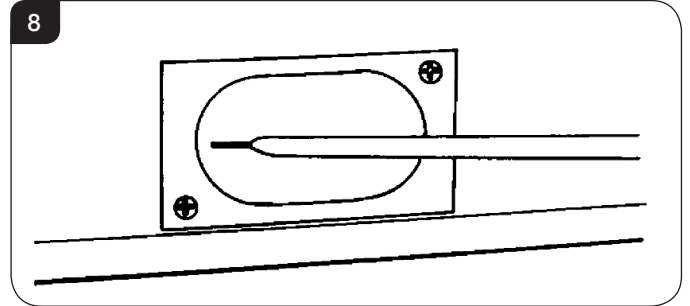
- 4.1 Remove the 2 screws at the back of the burner unit, see Diagram 6.



- 4.2 Slide the burner unit fully to the left and lift from the front. Carefully remove through the front of the appliance. Place carefully to one side. **Take care not to damage the raised area on the burner unit and the pilot unit.**
- 4.3 Remove the 4 screws to remove the access plate, see Diagram 7.



- 4.4 The gas supply enters through the silicone panel located on the left-hand rear of the outer box; this will need to be slit with a sharp knife prior to passing the supply pipe through, see Diagram 8.



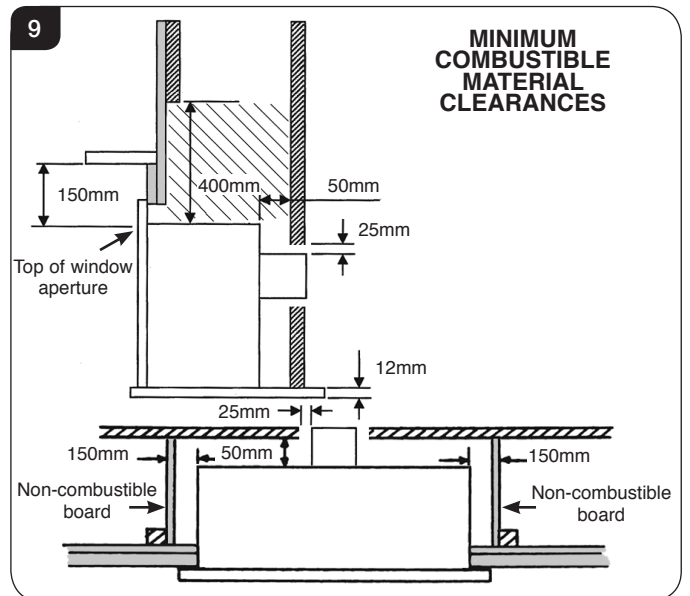
Note: The isolation elbow needs to be attached to the gas pipe before installation.

5. Studwork Installation

- 5.1 **DISTANCE TO COMBUSTIBLE MATERIAL**

COMBUSTIBLE PARTS OF THE STUDWORK MUST BE KEPT BEYOND THE MINIMUM DIMENSIONS SHOWN IN DIAGRAM 9.

PROTECT THE NEAREST STUDWORK WITH NON-COMBUSTIBLE MATERIAL AND MAINTAIN THESE DIMENSIONS AT ALL TIMES, SEE DIAGRAM 9.



Installation Instructions

- 5.2 **DO NOT PACK THE VOID AROUND OR ABOVE THE APPLIANCE WITH INSULATION MATERIALS SUCH AS MINERAL WOOL.**
- 5.3 **AN ACCESS HATCH MUST BE LEFT IN THE SIDE OF THE CHIMNEY BREAST FOR FUTURE SERVICING AND INSPECTION OF THE FLUE AND APPLIANCE.**
- 5.4 **THE VOID BUILT FOR THE CASSETTE MUST BE VENTILATED TO PREVENT A BUILD-UP OF HEAT. IF THE VOID IS SEALED, THEN YOU MUST FIT VENTS AT BOTH LOW AND HIGH LEVELS OF A MINIMUM OF 50CM² EACH. THESE VENTS MUST TAKE COLD AIR FROM THE ROOM AND RETURN WARM AIR BACK INTO THE ROOM.**

5.4 There are 3 methods of installation into a studwork chimney:

5a. Edge finish Installation.

5b. Installation with a decorative front.

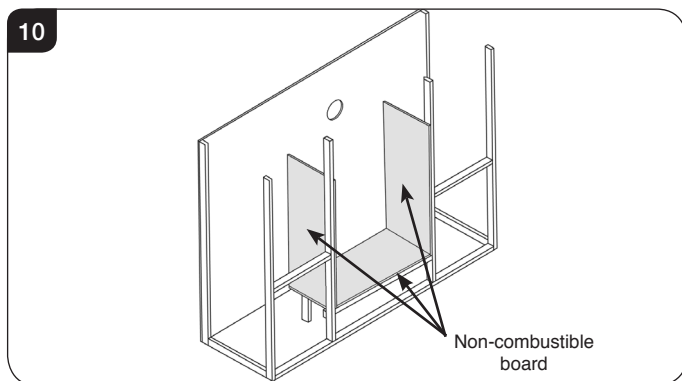
NOTE: If you have purchased a Gazco Esprit this will need to be fitted as a rebate installation.

5c. Rebate Installation

Carefully read the relevant section for the installation method required.

5a. Edge Finish Installation

- 5a.1 This method is designed so that non-combustible board can be taken right up to the edge of the flange of the appliance.
- 5a.2 Build the studwork chimney breast and enclosures to the desired size to include the protected platform at the required height.
- 5a.3 Ensure that the minimum 50mm distance to combustible studwork is maintained.
- 5a.4 Line the aperture for the appliance with 12mm thick non-combustible material as shown. Non-combustible board used to protect the studwork can line the aperture inside the 50mm clearance distance, see Diagram 10.

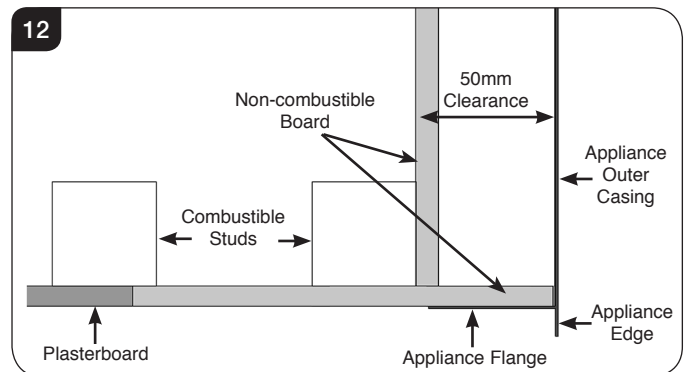
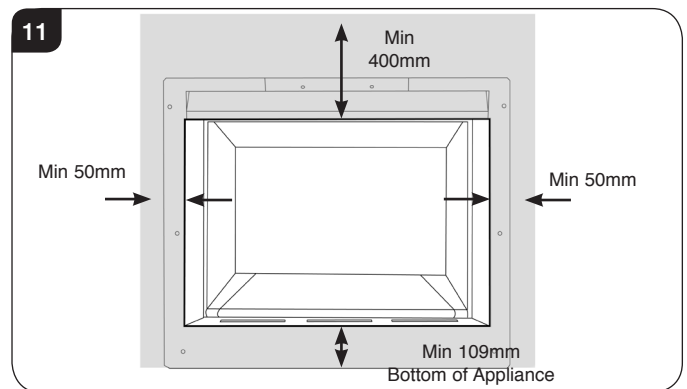


5a.5 Site the appliance and decide on flue requirements.

5a.6 Prepare the flue connection using the chosen method described in Section 7 ensuring that distances to combustible materials are maintained at all times.

Connect the flue and install the appliance into the aperture. At the same time ensure that the gas pipe passes through the silicon panel at the back of the appliance. Do not secure the appliance at this time.

5a.7 Fit non-combustible board to the studwork around the aperture. This should extend a minimum of 400mm above the appliance and at least 50mm to the sides of the appliance, see Diagram 11 and Diagram 12.



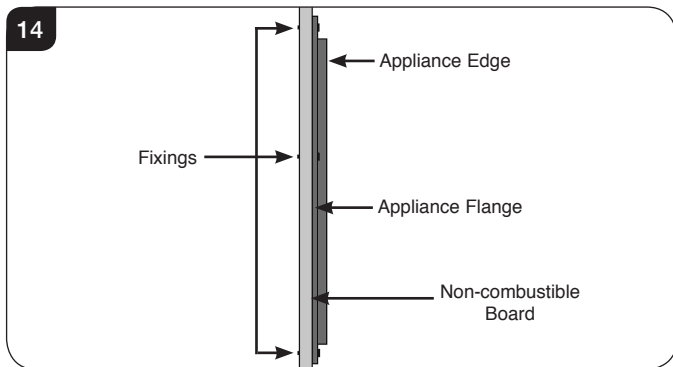
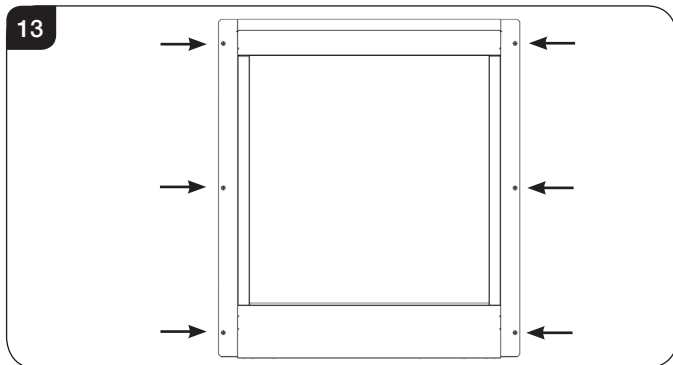
Ensure the clearances are maintained, see Diagram 9.

5a.8 Apply plasterboard to the remainder of the studwork.

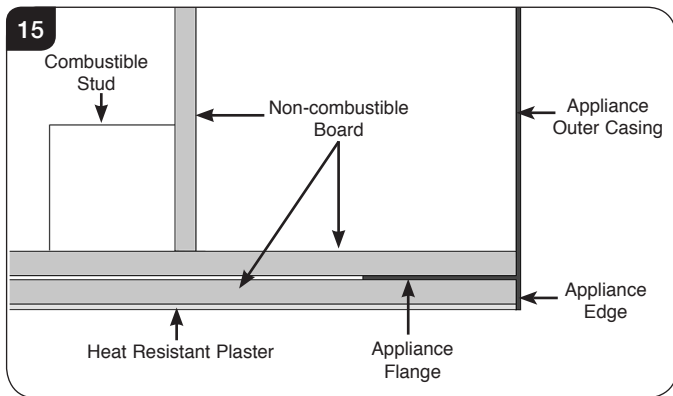
5a.9 Fix the self adhesive foam seal around the back of the fixing flange of the appliance.

Installation Instructions

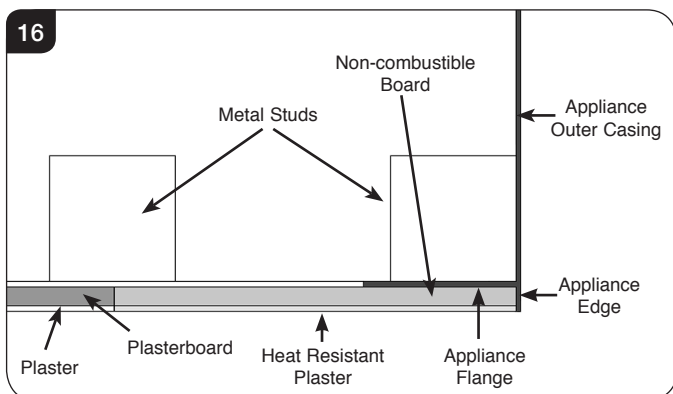
5a.10 Secure the appliance to the non-combustible board through the 6 fixing holes, using the anchor fixings provided, see Diagram 13 & 14.



5a.11 Fit non-combustible board to the board around the appliance, see Diagram 15. Ensure distances to combustibles are observed, see Diagram 9.



NOTE: If metal studwork is used, there is no need to fit non-combustible board to the face of the construction, see Diagram 16.



5a.12 Apply plasterboard to the remainder of the first layer of plasterboard.

5a.13 Apply a heat resistant plaster around the appliance, see Diagram 18. Ensure distances to combustibles are observed, see Diagram 9.

5a.14 Apply a plaster finish to the remaining plasterboard.

To finish installation see 5.6.

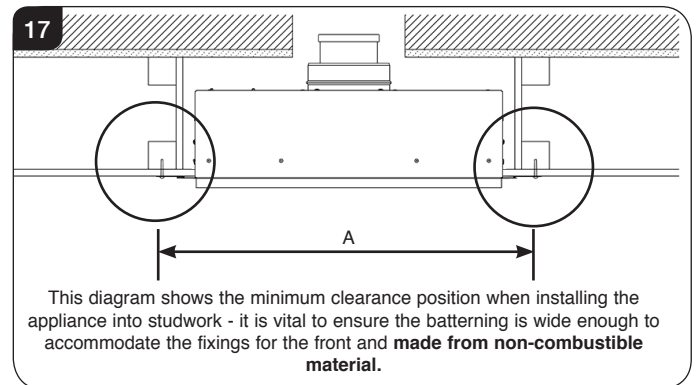
5b. Installation with a Decorative Front



IMPORTANT: BEFORE THE INSTALLATION OF THE DECORATIVE FRONT ENSURE THAT THE WALL ABOVE AND TO THE SIDES OF THE APPLIANCE IS SUITABLY CONSTRUCTED FOR THE FIXINGS TO SUPPORT THE WEIGHT OF THE FRONT. IF THE WALL IS CONSTRUCTED FROM PLASTERBOARD OR SIMILAR, IT IS ESSENTIAL THAT BATTERNS ARE LOCATED TO THE SIDES OF THE APPLIANCE IN THE FIXING AREA TO PROVIDE STRENGTH TO THE FIXINGS. SEE DIAGRAM 17.

NOTE: If you have purchased a Gazco Esprit this will need to be fitted as a rebate installation.

5b.1 When constructing a studwork installation it is essential to observe the clearances to combustibles but make provision for the frame fixings, see Diagram 17.



Distance between front fixings:

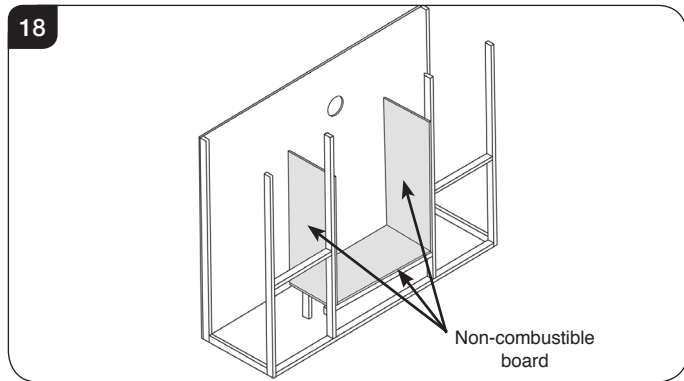
FRAME OPTION	A
Verve XS	660mm
Icon XS	660mm

5b.2 Build the studwork chimney breast and enclosures to the desired size to include the protected platform at the required height.

5a.3 Ensure that the minimum 50mm distance to combustible studwork is maintained.

Installation Instructions

- 5b.4 Line the aperture for the appliance with 12mm thick non-combustible material as shown. Non-combustible board used to protect the studwork can line the aperture inside the 50mm clearance distance, see Diagram 18.

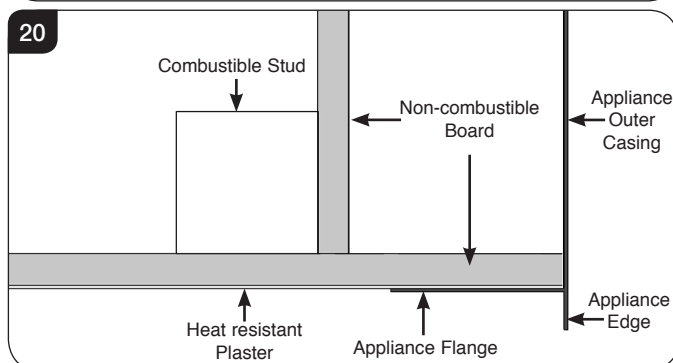
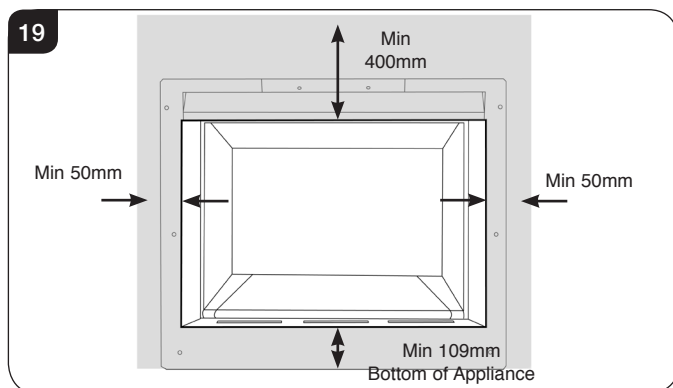


- 5b.5 Site the appliance and decide on flue requirements.

- 5b.6 Prepare the flue connection using the chosen method described in Section 7 ensuring that distances to combustible materials are maintained at all times.

Connect the flue and install the appliance into the aperture. At the same time ensure that the gas pipe passes through the silicon panel at the back of the appliance. Do not secure the appliance at this time.

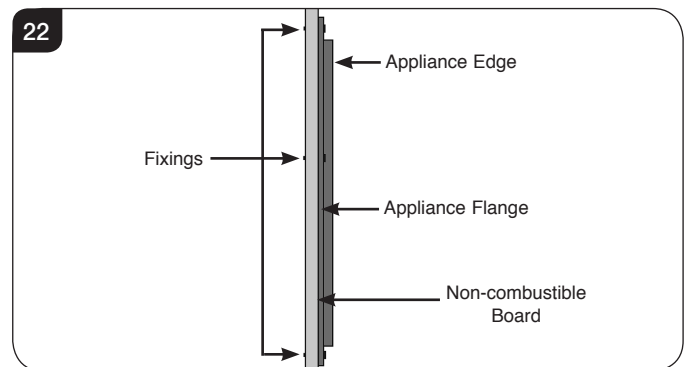
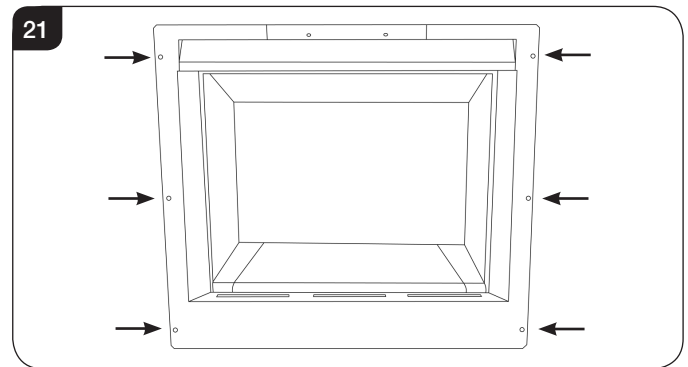
- 5b.7 Fit non-combustible board to the studwork around the aperture. This should extend a minimum of 400mm above the appliance and at least 50mm to the sides of the appliance, see Diagram 19 and Diagram 20.



Ensure the clearances are maintained, see Diagram 9.

- 5b.8 Apply plasterboard to the remainder of the studwork and plaster the front face of the board.

- 5b.9 Secure the appliance to the non-combustible board through the 6 fixing holes, using the anchor fixings provided, see Diagram 21 & 22.



- 5b.10 Install the decorative front referring to separate installation instructions.

To finish installation see 5.6.

Installation Instructions

5c. Rebate Installation



Note: When fitting a Gazco Esprit front refer to the separate instructions to ensure the installation is at the correct height for the chosen finish.

It is essential to read the Gazco Esprit front instructions thoroughly prior to fitting the appliance as steps need to be incorporated during installation.

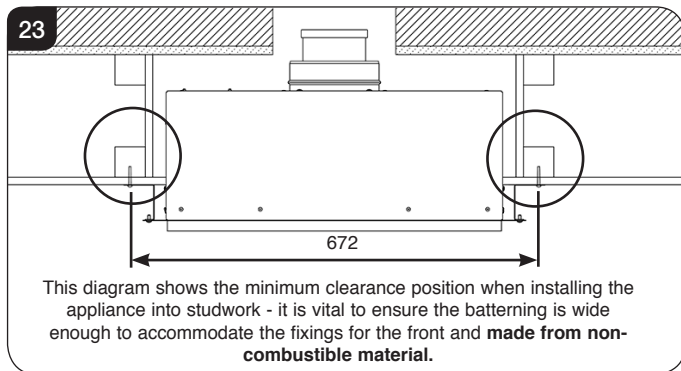
In some instances it may be desired to install the Riva2 500HL Slimline with a rebate in order to install a Stone surround, Mantelpiece or Gazco Esprit Front. To ensure a secure and easy installation a bracket is supplied that ensures the appliance is fitted with the required rebate.

It is essential the appliance and bracket are installed as detailed in this section.



IMPORTANT: BEFORE THE INSTALLATION OF THE DECORATIVE FRONT ENSURE THAT THE WALL ABOVE AND TO THE SIDES OF THE APPLIANCE IS SUITABLY CONSTRUCTED FOR THE FIXINGS TO SUPPORT THE WEIGHT OF THE FRONT. IF THE WALL IS CONSTRUCTED FROM PLASTERBOARD OR SIMILAR, IT IS ESSENTIAL THAT BATTERNS ARE LOCATED TO THE SIDES OF THE APPLIANCE IN THE FIXING AREA TO PROVIDE STRENGTH TO THE FIXINGS. SEE DIAGRAM 23.

- 5c.1 When constructing a studwork installation it is essential to observe the clearances to combustibles but make provision for the frame fixings, see Diagram 23.

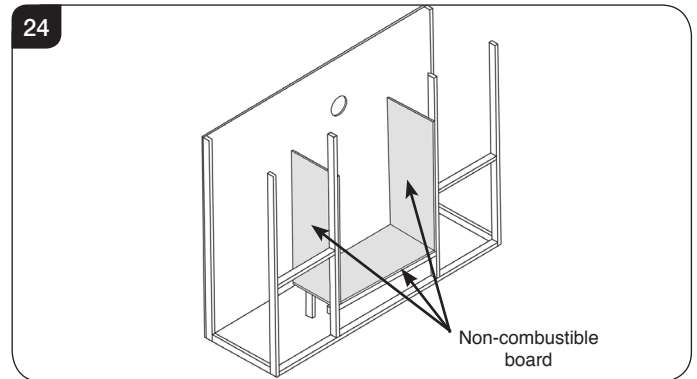


- 5c.2 Build the studwork chimney breast and enclosures to the desired size to include the protected platform at the required height.

Ensure that the minimum 50mm distance to combustible studwork is maintained.

- 5c.3 Line the aperture for the appliance with 12mm thick non-combustible material as shown.

- 5c.4 Non-combustible board used to protect the studwork can line the aperture inside the 50mm clearance distance, see Diagram 24.

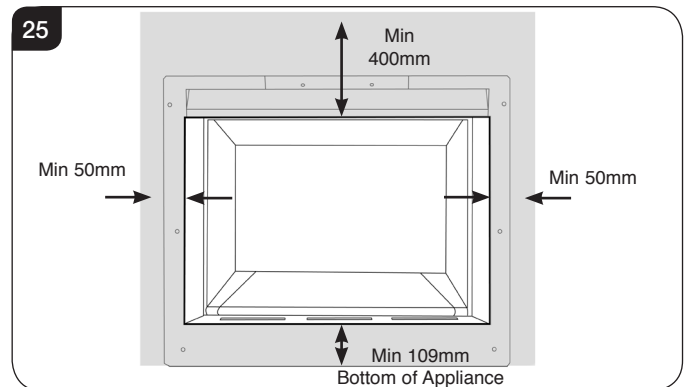


- 5c.5 Site the appliance and decide on flue requirements.

- 5c.6 Prepare the flue connection using the chosen method described in Section 7 ensuring that distances to combustible materials are maintained at all times.

Connect the flue and install the appliance into the aperture. At the same time ensure that the gas pipe passes through the silicon panel at the back of the appliance. Do not secure the appliance at this time.

- 5c.7 Fit non-combustible board to the studwork around the aperture. This should extend a minimum of 400mm above the appliance and at least 50mm to the sides of the appliance, see Diagram 25.

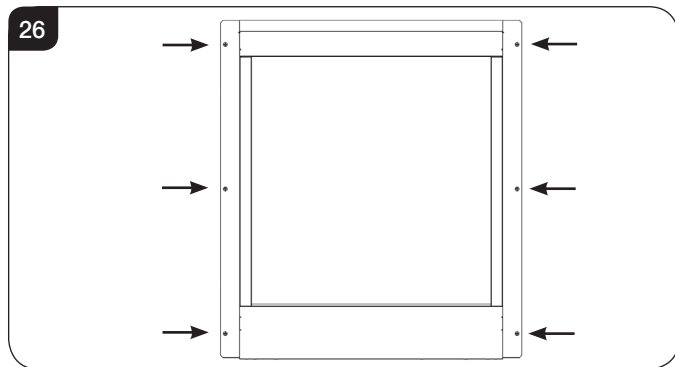


Ensure the clearances are maintained, see Diagram 9.

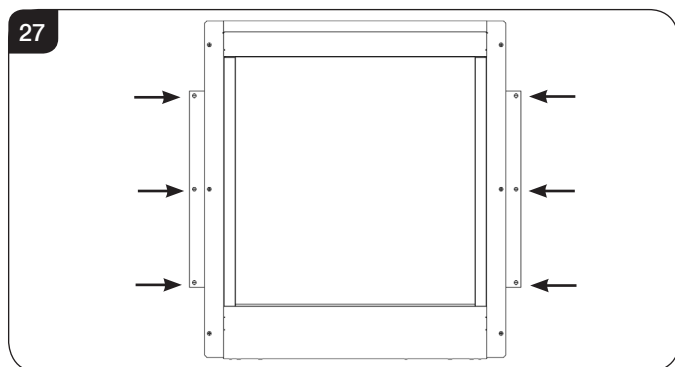
- 5c.8 Apply plasterboard to the remainder of the studwork and plaster the front face of the board.

Installation Instructions

5c.9 Secure the bracket to the appliance through the 6 fixing holes using the anchor fixings provided, see Diagram 26.



5c.10 Site the appliance, with bracket attached, into the opening. Secure into the studwork through the fixing holes in the bracket, see Diagram 27.



5c.11 Install the decorative finish referring to separate installation instructions.

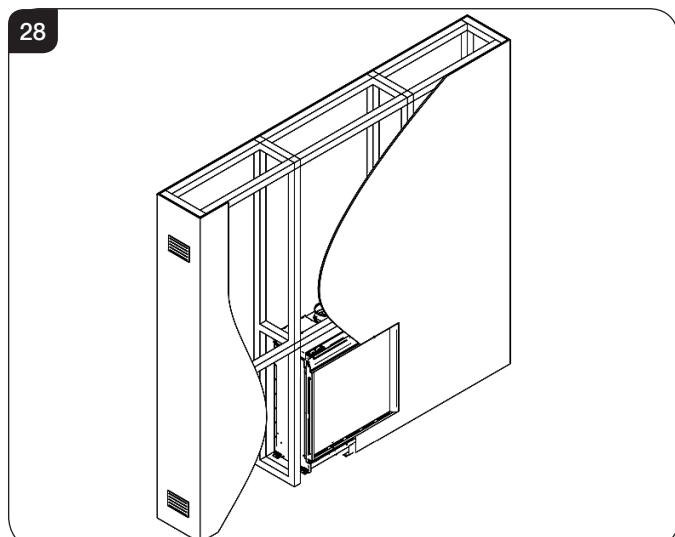
To finish installation see 5.6.

To Finish the Installation

After commissioning:

5.6 Finish the sides of the chimney breast, see Diagram 28.

5.7 Vents at both low and high levels of a minimum of 50cm² each must be fitted. These vents must take cold air from the room and return warm air back into the room.



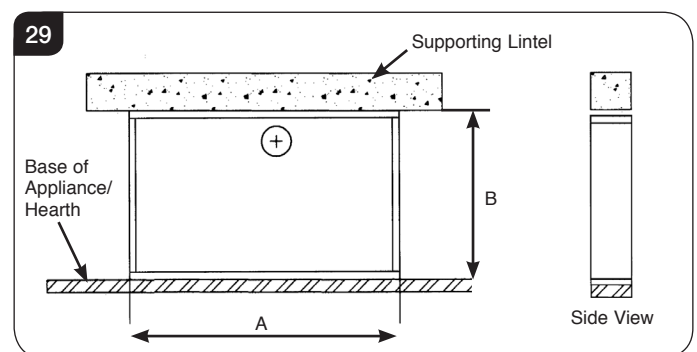
A removable access hatch must be left in the side of the chimney breast for future servicing and inspection of the appliance.

6. Masonry Installation

The appliance can be installed into brick and block construction or chimney breast and finished with a plasterboard and skimmed finish.

This method of installation requires structural alteration to the intended location. A suitable supporting lintel must be installed to maintain the structural integrity of the surrounding blockwork.

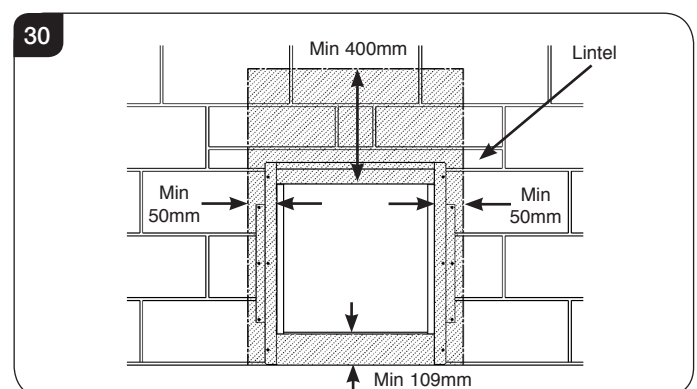
6.1 Mark the position of the lintel so that it sits centrally over the intended installation. Remove the blockwork and install the lintel using mortar to ensure a strong bond with the surrounding wall, see Diagram 29.



Model	Riva2 500HL
A	565
B	695

6.2 With the lintel in position mark the width of the aperture and remove the blockwork.

6.3 Remove wall finish (eg plaster) from the area shown in Diagram 30 to the size of the appliance and minimum non-combustible clearances in all directions.

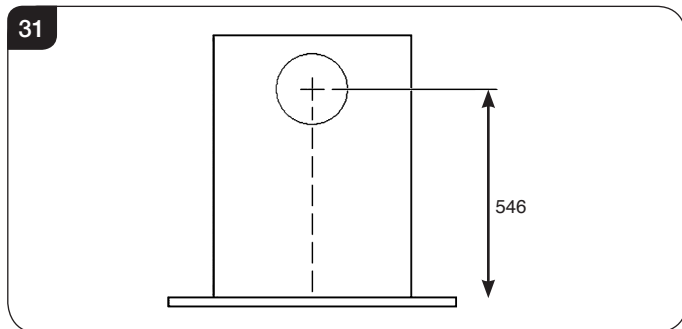


6.4 Ensure that there is a minimum of 10mm gap left between the back of the appliance and the outer wall. **There must be no combustible materials behind this appliance.**

6.5 Consider the final flue position ensuring that all required clearances are complied with, see Site Requirements Section 1.

Installation Instructions

- 6.6 Mark the position of the flue on the wall by measuring from the top of the finished hearth level/ base of the appliance, see Diagram 31.



- 6.7 A 152mm (6") diameter hole is required to install the flue. This can be achieved by either:
 a) Core drill
 b) Hammer and chisel
 It is advisable to drill small holes around the circumference when using method b. Make good both ends of the hole.
- 6.8 Line the sides, top and bottom of the opening with non-combustible board to prevent heat entering the cavity.
- 6.9 Prepare gas supply and cable.
 If installing into a cavity, no joints should be within the cavity and the pipe must be sleeved. Refer to gas installation requirements.

There are 3 methods of installation into a masonry chimney:

6a. Edge finish Installation.

6b. Installation with a decorative front.

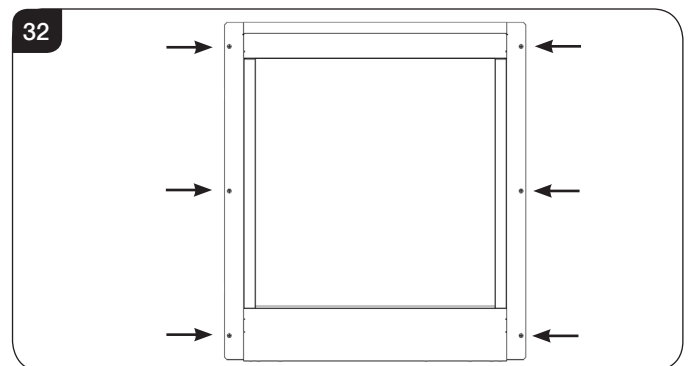
NOTE: If you have purchased a Gazco Esprit this will need to be fitted as a rebate installation.

6c. Rebate Installation

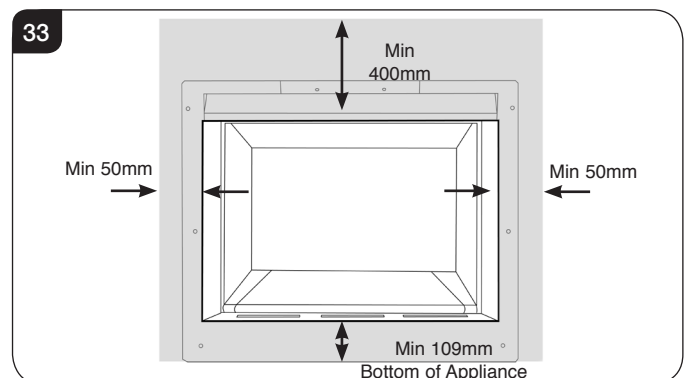
Carefully read the relevant section for the installation method required.
 Please note it is essential to understand the chosen method of installation before attempting to fit the appliance.

6a. Edge Finish Installation

- 6a.1 This method is designed so that non-combustible board can be taken right up to the edge of the flange of the appliance.
- 6a.2 Fix the self adhesive foam seal around the back of the fixing flange of the appliance.
- 6a.3 Prepare the flue connection using the chosen method described in Section 7.
- 6a.4 Connect the flue and install the appliance into the aperture. At the same time ensure that the gas pipe passes through the silicon panel at the back of the appliance.
- 6a.5 Secure the appliance through the 6 fixing holes using the screws provided, see Diagram 32.



- 6a.6 Build the chimney breast up to coincide with the edge, allowing for the front to be skimmed level.
- 6a.7 Fit non-combustible board to the chimney breast around the appliance, using the distance to combustibles detailed in Diagram 33.



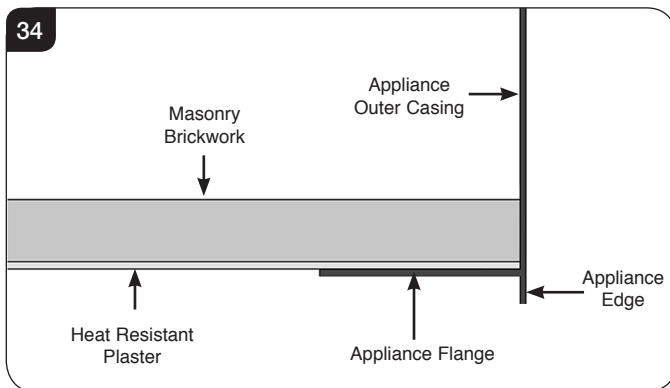
- 6a.8 Fit plasterboard to the remaining of the chimney breast front.
- 6a.9 Apply a heat resistant plaster around the appliance using the distance to combustibles detailed in Diagram 33.
- 6a.10 Apply a plaster finish to remaining chimney breast front.

Installation Instructions

6b. Installation with a Decorative Front

NOTE: If you have purchased a Gazco esprit this will need to be fitted as a rebate installation.

- 6b.1 Fix the self adhesive foam seal around the back of the fixing flange of the appliance.
- 6b.2 Prepare the flue connection using the chosen method described in Section 7.
- 6b.3 Connect the flue and install the appliance into the aperture. At the same time ensure that the gas pipe passes through the silicon panel at the back of the appliance.
- 6b.4 Secure the appliance through the 6 fixing holes using the screws provided, see Diagram 32.
- 6b.5 The appliance flange should sit flush to the brickwork and the edge should sit proud of the wall, see Diagram 34.



- 6b.6 The subframe for the decorative front can now be fitted by following the instructions supplied with the Front.
NOTE: THE SUBFRAME MUST SIT FLUSH TO THE WALL LEVEL WITH THE APPLIANCE FLANGE.

6c. Rebate Installation

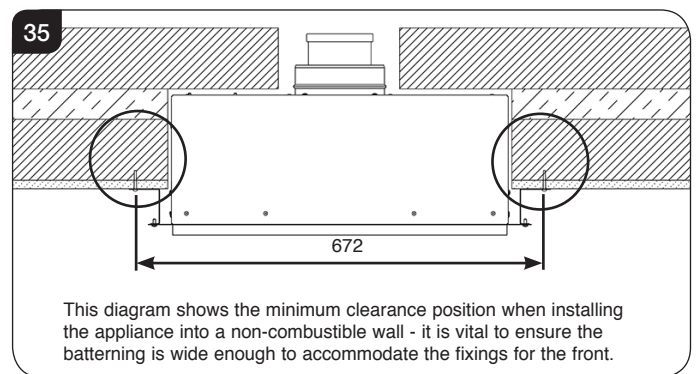


Note: When fitting a Gazco Esprit front refer to the separate instructions to ensure the installation is at the correct height for the chosen finish.

It is essential to read the Gazco Esprit front instructions thoroughly prior to fitting the appliance as steps need to be incorporated during installation.

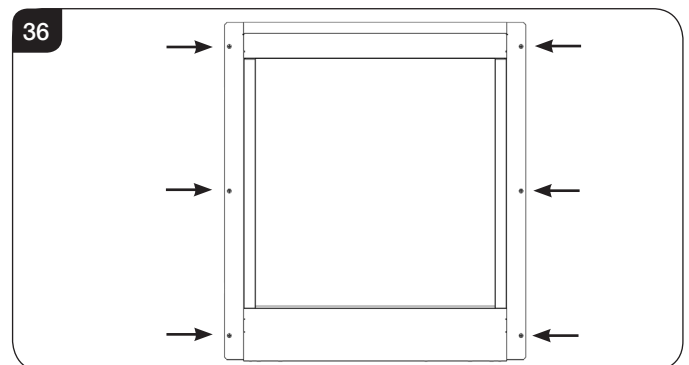
In some instances it may be desired to install the Riva2 500HL Slimline with a rebate in order to install a Stone surround, Mantelpiece or Gazco Esprit Front. To ensure a secure and easy installation a bracket is supplied that ensures the appliance is fitted with the required rebate.

- 6c.1 When constructing the opening, make provision for the frame fixings, see Diagram 35.



It is essential the appliance and bracket are installed as detailed in this section.

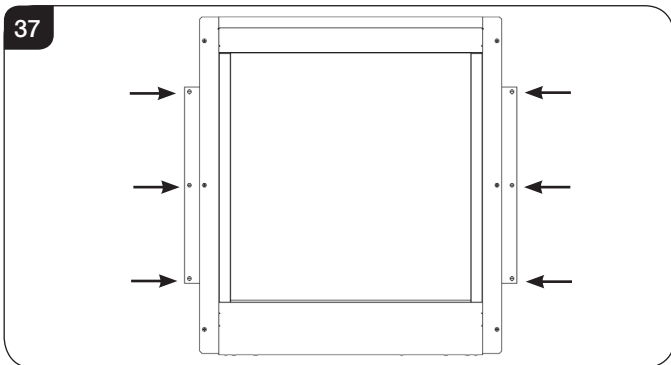
- 6c.2 Prepare the flue connection using the chosen method described in Section 7.
- 6c.3 Secure the bracket to the appliance through the 6 fixing holes using the anchor fixings provided, see Diagram 36.



- 6c.4 Connect the flue and install the appliance into the aperture. At the same time ensure that the gas pipe passes through the silicon panel at the back of the appliance.

Installation Instructions

- 6c.5 Site the appliance, with bracket attached, into the opening. Secure into the brickwork through the fixing holes in the bracket, see Diagram 37.

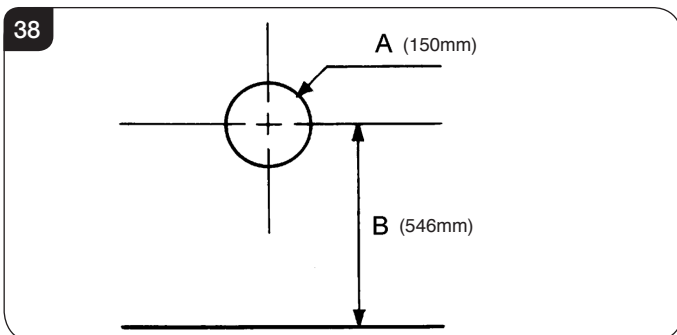


- 6c.6 Install the decorative finish referring to separate installation instructions.

7. Flue Assembly

- 7.1 **FLUE LENGTH:** MIN = 90MM (HOLLOW WALL)
MAX = 550MM (RECOMMENDED)
- 7.2 Unpack the flue assembly and terminal guard.
- 7.3 Do not lose the fixings.
- 7.4 Consider the final appliance position ensuring you comply with clearances required for the external flue, see Site Requirements, Section 1.
- 7.5 Mark the vertical centre-line of the appliance on the wall, see Diagram 38, A.
- 7.6 Mark the height from the base of appliance to the centre of the flue, see Diagram 38, B.

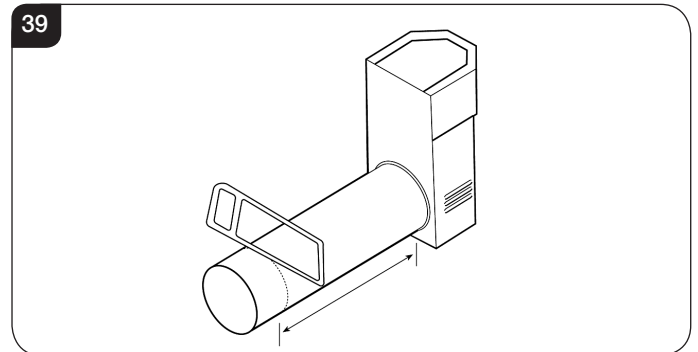
TAKE CARE TO MARK OUT THE FLUE CORRECTLY. IT IS DIFFICULT TO MOVE AFTER INSTALLATION.



Flue Length

- 7.7 With the appliance secured in place, (minimum 10mm gap between the back of appliance and the wall) measure the distance from the back of the appliance to the outside face of the wall. Deduct 18mm from this measurement.
- 7.8 Insert the square cardboard sleeve into the flue to support the inner tube.

- 7.9 Cut through the flue and sleeve, see Diagram 39.



- 7.10 **REMOVE THE CARDBOARD REMNANTS FROM THE FLUE.**

- 7.11 File the cut edges smooth.

Terminal

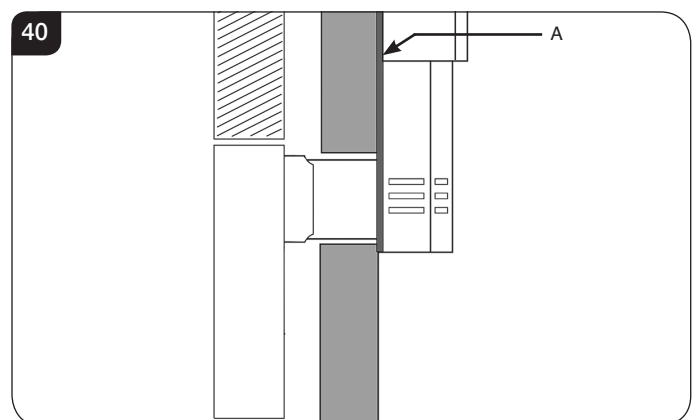
On the outside wall:

- 7.12 Position the flue assembly into the hole. The terminal should be flat against the wall.
- 7.13 Make sure the terminal is vertical, see Diagram 40.
- 7.14 Mark the 4 fixing holes.
- 7.15 Remove the terminal to drill the holes.
- 7.16 Insert wall plugs supplied.

DO NOT FIX THE FLUE AT THIS STAGE.

Flue and Appliance Fixings

- 7.17 Position the appliance observing appropriate clearances.
- 7.18 Apply a bead of suitable weatherproof sealant (silicone or similar) to perimeter of back face of terminal, see Diagram 40.



- 7.19 Feed the flue through the wall, making sure it runs smoothly.
- 7.20 Engage the flue in the inner and outer spigots.
- 7.21 Make sure rubber seal on the inner spigot is not damaged, it may be necessary to lubricate the seals with washing up liquid (or similar) to ease assembly.

Installation Instructions

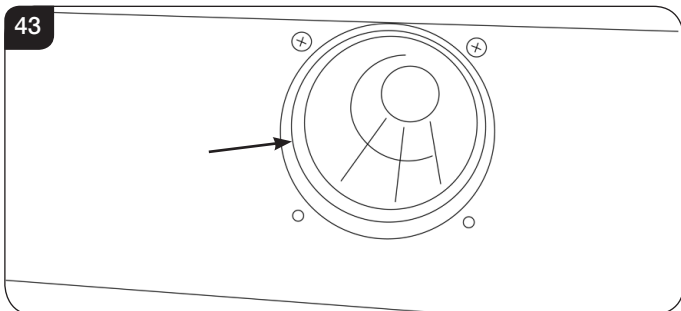
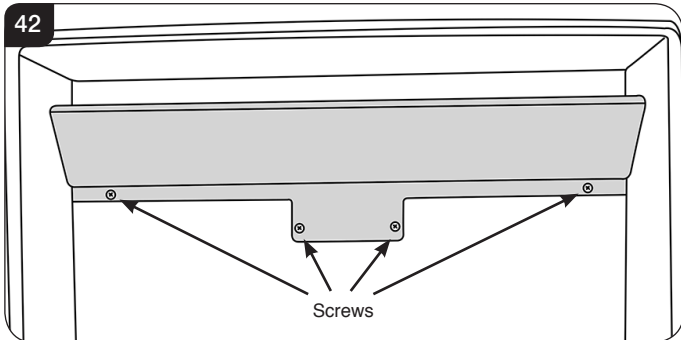
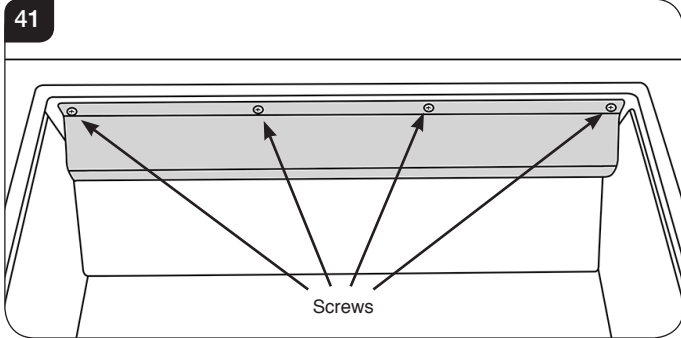


To ensure a successful installation take out the 2 baffle plates.

Remove the 4 fixing screws to remove the lower baffle, see Diagram 41.

Remove the 4 fixing screws to remove the top baffle plate, see Diagram 42.

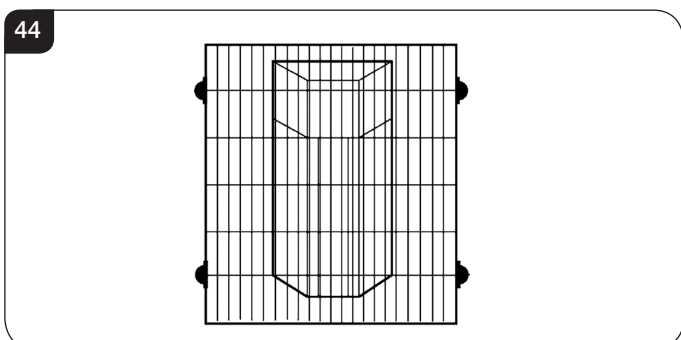
It is now possible to view if the end of the flue is located correctly, see Diagram 43.



7.22 Insert 4 screws in the flanges of the flue terminal.

7.23 Check sealant has formed a water-tight joint to the wall.

7.24 Any terminal less than 2m above any access (level ground, balcony or flat roof with access) must be fitted with the guard supplied, see Diagram 44.



8. Gas Supply

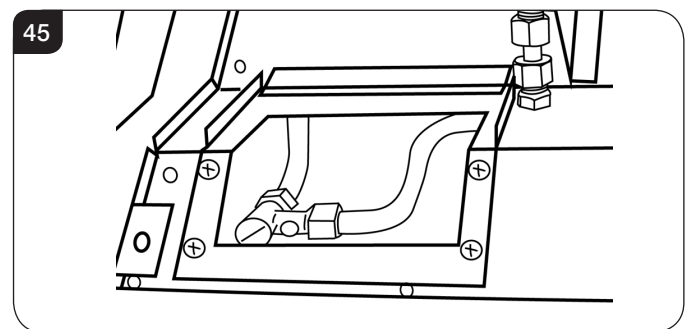
8.1 Remove the compression elbow from the appliance and connect it to the gas supply pipe.

As the appliance is fitted into the enclosure:

8.2 Pass the elbow and supply pipe through the opening on the LEFT HAND side.

8.3 **PURGE THE SUPPLY PIPE.** This is essential to expel any debris that may block the gas controls.

8.4 Connect the elbow to the appliance inlet pipe, see Diagram 45.

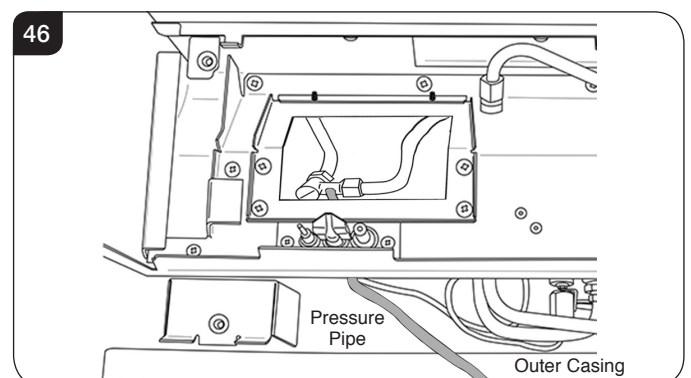


9. Gas Soundness Pressure Check

9.1 Connect a suitable pressure gauge to the test point located on the inlet fitting, see Diagram 46.

Pass the pressure pipe under main control assembly and out through the gap inside the outer casing, see Diagram 46.

Refit the burner unit, turn the gas supply on and perform a pressure drop test to check for leaks in the installation. Light the appliance, turn to maximum and check that the supply pressure is as stated on the databadge. Turn the gas off and replace the test point screw, turn the gas on and check the test point for leaks.

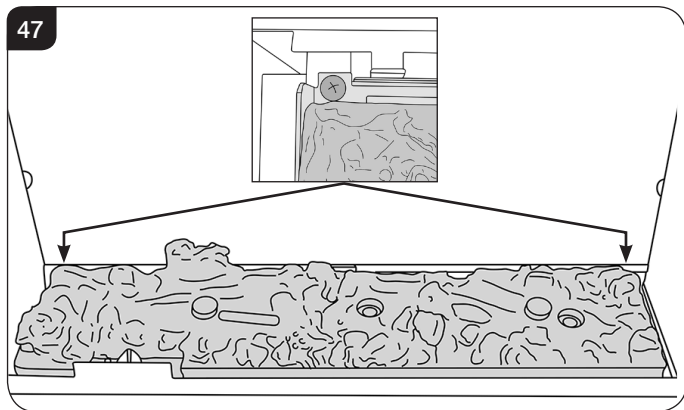


Check the function of the handset, if there is no communication between the remote control and the appliance, see Commissioning Section.

Installation Instructions

10. Fitting the Main Burner

- 10.1 Angle the burner unit backwards slightly and carefully lower into the left hand side of the appliance.
Take care not to damage the raised area on the burner unit and pilot unit.
- 10.2 Slide the burner unit to the right, ensuring the venturi engages with the main injector.



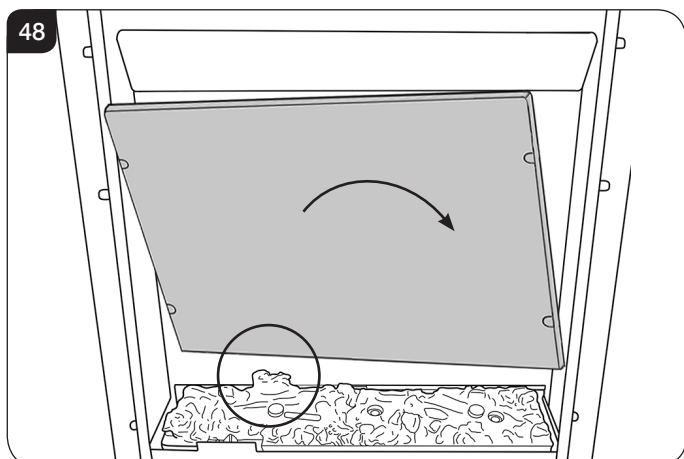
Check the pilot ensuring it is free from any debris.

11. Assembling the Appliance

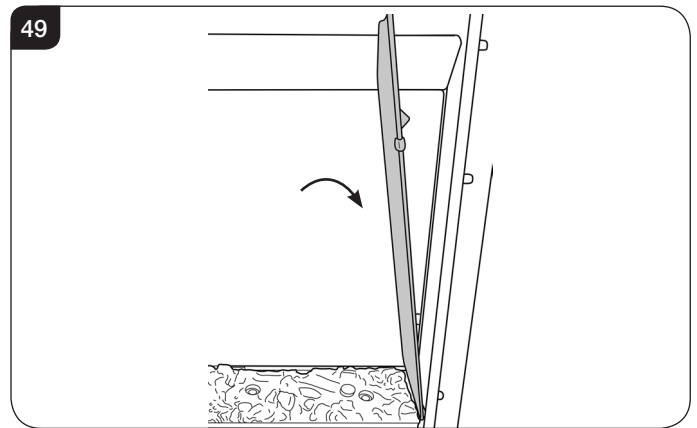
LINERS

- 11.1 The Riva2 500HL appliance has the option of 3 different liner finishes:
Vermiculite
Black Reeded
Black Glass Linings
- 11.2 Fit the back liner by carefully twisting slightly to insert through the front of the appliance, lifting over the pilot and raised area on the burner unit, see Diagram 48.
Take care not to damage the raised area on the burner unit and pilot unit.

Ensure that the metal flange is positioned at the bottom of the appliance.



- 11.3 Lower the rear panel carefully and lean the top up against the back of the appliance.
- 11.4 Support the rear liner and fit the Right Hand liner by inserting through the front of the appliance, tilting the top inwards towards the centre of the firebox before lowering into position, see Diagram 49.

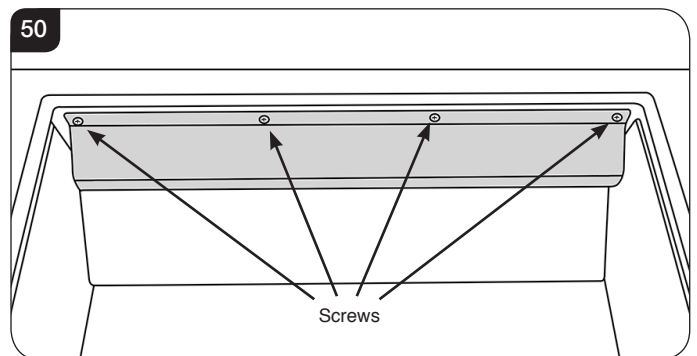


- 11.5 To fit the Left Hand liner insert through the front of the appliance tilting the top inwards towards the centre of the firebox before lowering into position, see Diagram 49.

The 2 side liners also support the rear panel.

- 11.6 Insert the baffle through the front of the firebox.

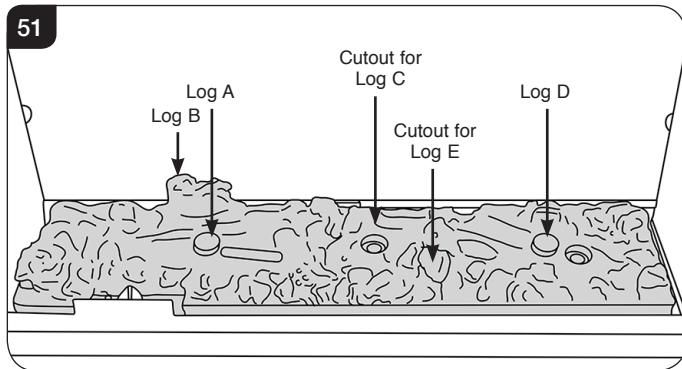
Replace the 4 screws at the front of the appliance to secure the baffle to the firebox, see Diagram 50.



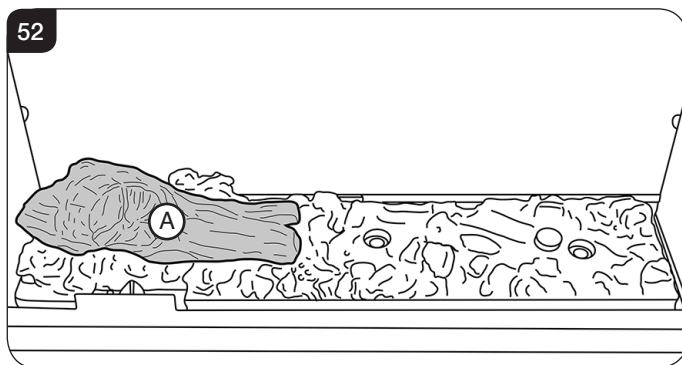
12. Arrangement of Fuel Bed Components

LOGS MUST BE POSITIONED ACCORDING TO THE FOLLOWING INSTRUCTIONS TO GIVE THE CORRECT FLAME EFFECT.

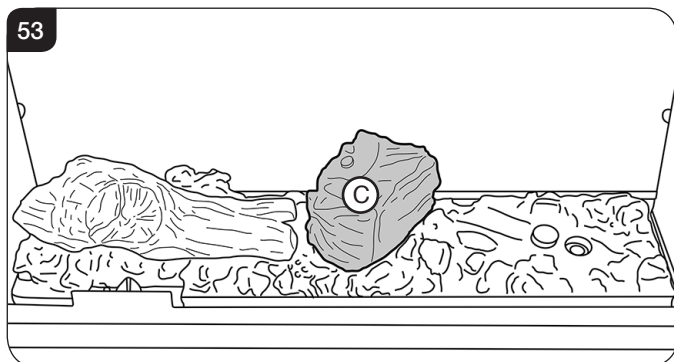
- 12.1 Ensure the burner tray is clean and free from any debris.
- 12.2 There are raised studs of the burner to locate the logs, see Diagram 51.



- 12.3 The logs for the fuel bed are clearly individually labelled.
- 12.4 Place Log A on the raised stud on the left hand side of the burner, see Diagrams 51 & 52.



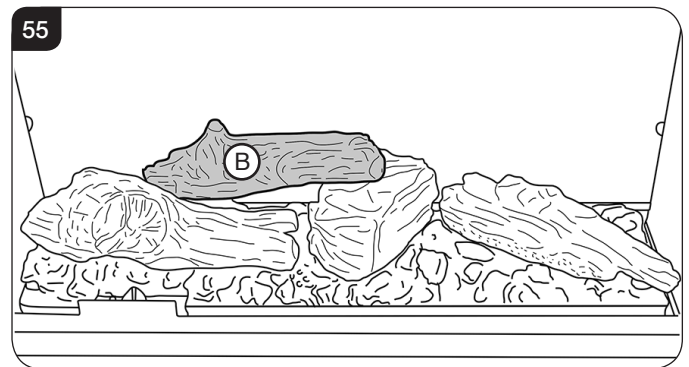
- 12.5 Place Log C in the cutout at the centre of the burner tray, see Diagrams 51 & 53.



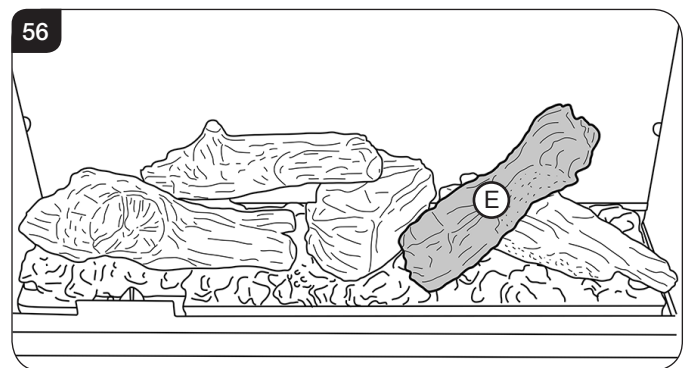
- 12.6 Place Log D on the raised stud in the cutout on the right hand side of the burner tray, see Diagrams 51 & 54.



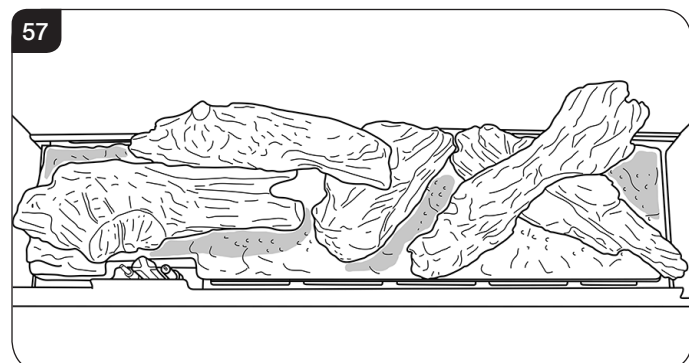
- 12.7 Place the right hand side of Log B on the raised stud on Log C and the left hand side on the raised section at the back left of the burner tray, see Diagrams 51 & 55.



- 12.8 Place the left hand side of Log E in the cutout on burner tray, see Diagram 51. Rest the right hand side on the raised stud on Log D, see Diagram 56.



- 12.9 Sparingly spread an amount of the Embaglow fibres provided on the sections highlighted, see Diagram 57. Take care not to use more than half a packet per application.



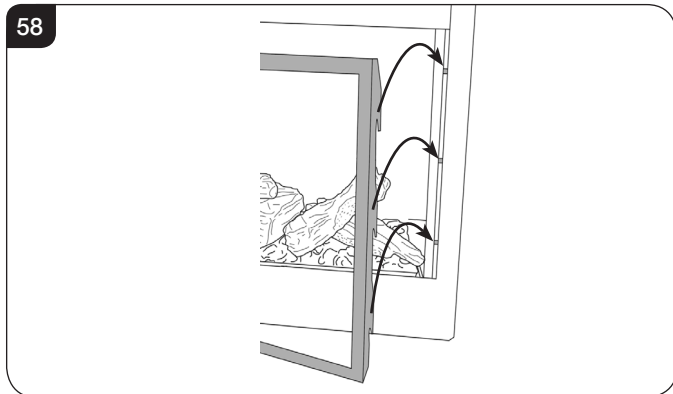
Installation Instructions

NOTE: ENSURE THAT THE LOGS ARE POSITIONED AS ABOVE. ONLY USE THE CORRECT AMOUNT OF LOGS AS SPECIFIED IN THE DIAGRAMS.

13. Completion of Assembly

Ensure that the rope seal on the back of the glass frame is intact.

- 13.1 To replace the glass frame, position so the hooks on the back of the frame fit over the side pins, see Diagram 58.



- 13.2 Push the handle down.
- 13.3 Replace the screws. As the screws are tightened the glass frame is pulled down against the hooks and forms a seal. **Replace ALL of the securing screws ensuring that a screw is present in all fixing slots.**

! UNDER NO CIRCUMSTANCES SHOULD THE APPLIANCE BE USED IF ANY OF THE GLASS FRAME RETAINING SCREWS ARE LOOSE OR MISSING.

- 13.4 Connect the battery lead to the battery pack attached to the lower slotted trim.

! PLEASE ENSURE NO WIRES ARE TRAPPED BEFORE REPLACING THE LOWER SLOTTED TRIM. THE LEADS ARE EASILY DAMAGED.

- 13.5 Replace the lower trim, ensuring that the angled metal shield is sloping towards the door frame.
- 13.6 Replace the 2 magnetic side trims.

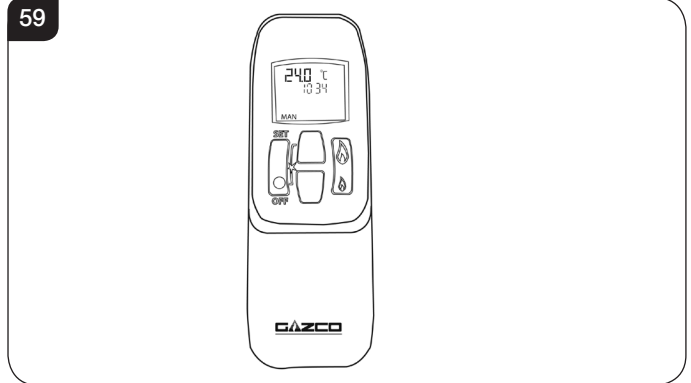
NEVER OPERATE THE APPLIANCE WHEN THE GLASS PANEL IS REMOVED OR BROKEN.

- 13.7 Replace the decorative front by referring to the separate leaflet supplied with the front.

NOTE: ENSURE THAT THE LOGS ARE POSITIONED AS ABOVE. ONLY USE THE CORRECT AMOUNT OF LOGS AS SPECIFIED IN THE DIAGRAMS.

14. Lighting the Appliance

The appliance is operated by thermostatic remote control.



This remote controls the appliance from pilot ignition through to shut down.

In 'MANUAL MODE' you can:

- light the pilot
- turn on the main burner
- regulate the flame from low to high and back
- turn off the burner leaving just the pilot burning

In 'TEMP MODE' you can:

- set the room temperature so the stove automatically maintains that temperature

In 'TIMER MODE' the appliance:

- turns on and off according to the set time periods
- automatically regulates the room temperature during the set periods

14.1 Turning the appliance On

Your remote can control the gas appliance from pilot ignition through to shut down.

To turn the appliance on press the OFF button and the UP button simultaneously. You hear several short signals. **The pilot and main burner ignite and the remote is now in Manual Mode:**

Turning the appliance Off:

Press the OFF button to turn the appliance off. **FOR SAFETY, YOU MUST WAIT 30 SECONDS BEFORE LIGHTING THE APPLIANCE AGAIN.**

i IMPORTANT: YELLOW FLAMES TYPICALLY APPEAR WHEN THE APPLIANCE HAS REACHED NORMAL OPERATING TEMPERATURE. THIS CAN TAKE UP TO 30 MINUTES.

! WARNING: IF THE APPLIANCE FAILS TO LIGHT OR BECOMES EXTINGUISHED IN USE, WAIT 3 MINUTES BEFORE ATTEMPTING TO RELIGHT.

FOR FULL OPERATING INSTRUCTIONS AND TROUBLESHOOTING SEE USER SECTION.

Installation Instructions

Troubleshooting



IMPORTANT: In the unlikely event that the handset fails to communicate correctly with the appliance it may be necessary to turn off the gas supply at the isolation valve until any problems can be resolved.

The gas meter and isolation valve can be located outside in a meter box, under the stairs, beneath the kitchen sink or in the garage. Whilst this list is not exhaustive, it is important to be able to identify the location of the valve in case of any gas emergency.

To turn off the gas supply, simply turn the handle so the lever is at 90 degrees to the upright gas pipe.

If you smell gas, open doors and windows and never operate any electrical switches. Immediately call the Gas Emergency Services on 0800 111 999.

Commissioning

1. Commissioning

- 1.1 Complete the Commissioning Checklist at the front of this manual covering:
- Flue checks
 - Gas checks
 - Log layout - flame picture
- For working pressure test, use the access panel at the gas connection ensuring the burner is in position. Refer to Installation Instructions, Section 8.
- 1.2 Ensure all safety checks listed in the Commissioning Section are completed, paying particular attention to the glass panel checks and securing of the glass frame.
- 1.3 Upon completion of the commissioning and testing of the installation and correct operation of the appliance, the installer must instruct the user how to operate the appliance.
- 1.4 Guide the user through the User Instructions paying particular attention to:
- a) Regular servicing (Section 8 of the User Instructions).
 - b) Ventilation (Section 9 of the User Instructions) - point out the ventilation positions where applicable.
 - c) Hot surfaces (Section 11 of the User Instructions).
 - d) How the appliance works with the remote control handset and the modes of operation (Section 2 of the User Instructions).
 - e) How to change settings in the auto mode and program modes of operation.
 - f) What to do if the appliance fails to operate (Section 12 of the User Instructions).

Reprogramming handset/Control box

To access the control box see Servicing Instructions, Section 5 - Main Control Assembly.

- Press and hold the reset button on the control box until you hear two signals. After the second longer signal:
- Release the reset button and within 20 seconds:
- Press the DOWN button on the handset until you hear two additional short signals confirming the new code is set.
If there is a single long signal the code learning sequence has failed or the wiring is incorrect.

Servicing Instructions

Servicing/Fault Finding Charts

1. Servicing Requirements

IMPORTANT – The glass panel on this appliance should be checked for any signs of damage on the front face of the glass panel (scratches, scores, cracks or other surface defects). If damage is observed, the glass panel must be replaced and the appliance must not be used until a replacement is installed. Under no circumstances should the appliance be used if any damage is observed. Please isolate the appliance until a replacement glass panel has been obtained and installed. Replacement glass panels can be purchased from Gazco via the Retailer from which the appliance was purchased or any other Gazco distributor.

This appliance must be serviced at least once a year by a competent person.

All tests must be carried out in accordance with the current GasSafe recommendations.

1.1 Before Testing:

- Conduct a gas soundness test for the property ensuring there are no leaks before servicing.
- Check the operation of the appliance before testing.

1.2 Special checks:

- Clean the burner using a vacuum cleaner with a soft brush attachment. Ensure all debris is removed from the burner ports.

- Clean away lint or fluff from the pilot.
- Clean away lint or fluff from under the burner.
- Check the spark gap on the pilot is correct.
- Ensure that the glass frame is secured correctly and that all retaining screws are in place.

1.3 Correct any faults found during the initial test.

1.4 Re-commission the appliance in accordance with Commissioning Procedures.

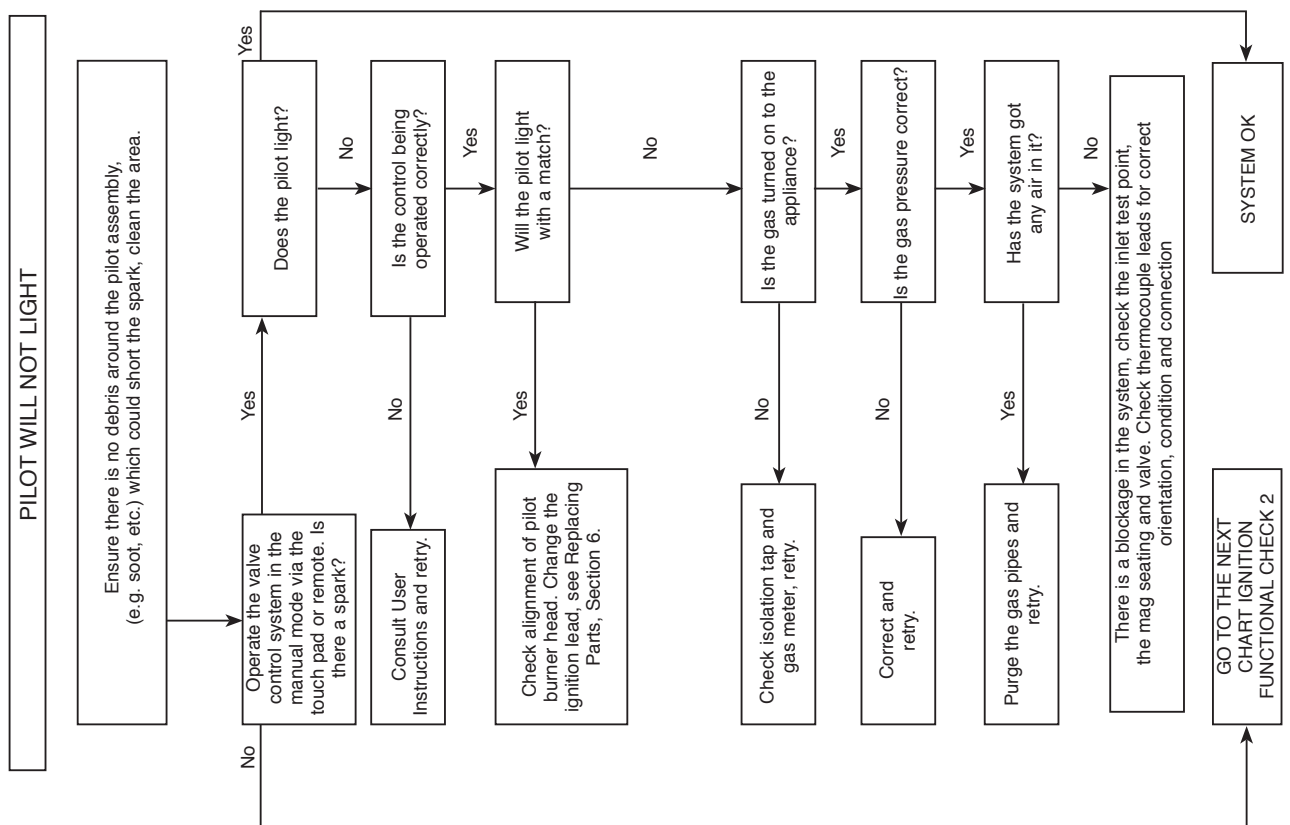
1.5 Advise the customer of any remedial work undertaken.

REPLACE BATTERIES BEFORE ATTEMPTING TO RECTIFY ANY FAULTS.

ELECTRONIC CONTROL VALVE FAULT ANALYSIS

Symptom	Cause	Remedy
Frequent beeps for 3 seconds after operation request	Batteries low in appliance	Replace appliance batteries
No ignition, 5 second continuous tone (there may be several short beeps before)	Loose/damaged wire	Check interrupter block and wires
No ignition, no tone, motor turns slightly when operated	Receiver board damaged	Replace receiver
No pilot flame and control continues to spark	Thermocouple circuit wired incorrectly	Correct wiring
Pilot lights, control continues to spark, valve shuts down after 10 - 30 seconds	1. No spark at pilot burner 2. Loose/damaged wire	1. Rectify spark at pilot burner 2. Check interrupter and wires

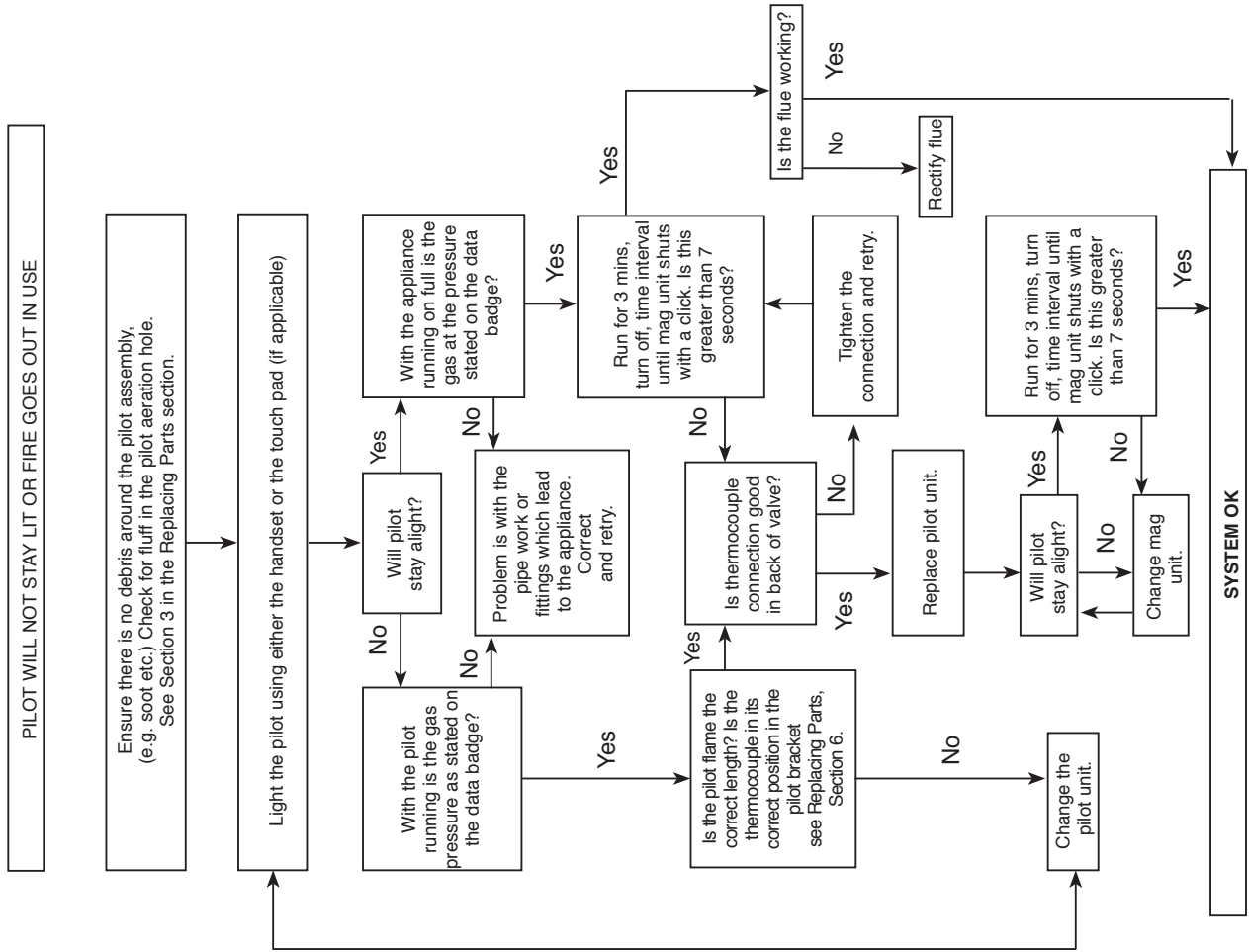
IGNITION FUNCTIONAL CHECK 1



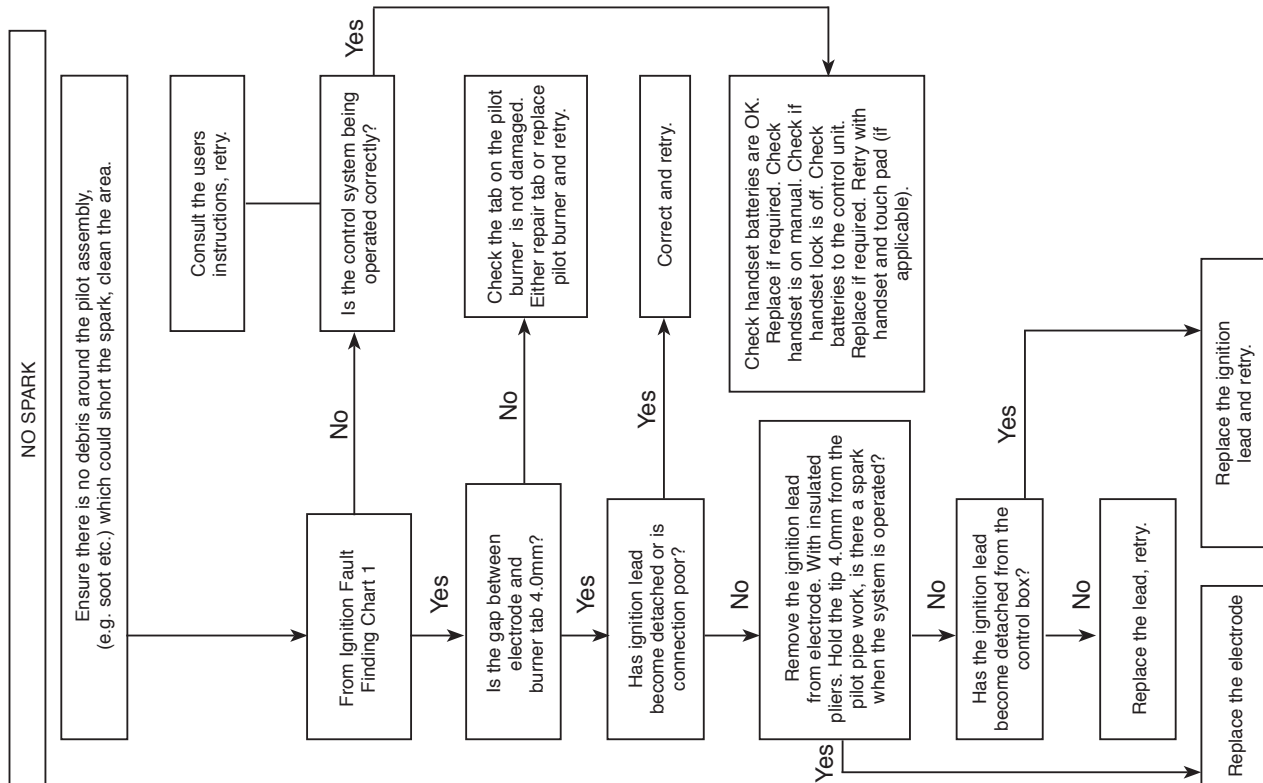
Servicing Instructions

Fault Finding Charts

FLAME FAILURE FUNCTIONAL CHECK 3



IGNITION FUNCTIONAL CHECK 2



Servicing Instructions

1. General

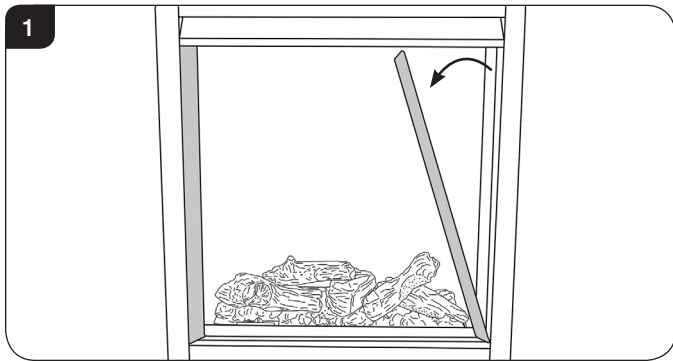
- 1.1 All main components can be replaced without removing the appliance from its installation.

IT IS ESSENTIAL THAT THE GAS SUPPLY TO THE APPLIANCE IS TURNED OFF AT THE ISOLATION DEVICE BEFORE PROCEEDING FURTHER.

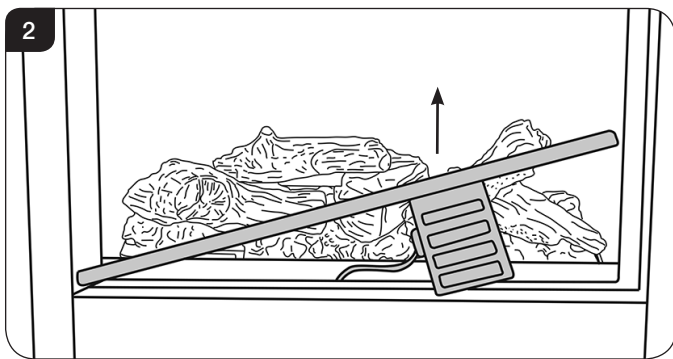
- 1.2 It will be necessary to remove the Main Burner before any of the components can be serviced.
- 1.3 Make sure the appliance and surrounds are cool before cleaning.

2. Removing the Glass Frame

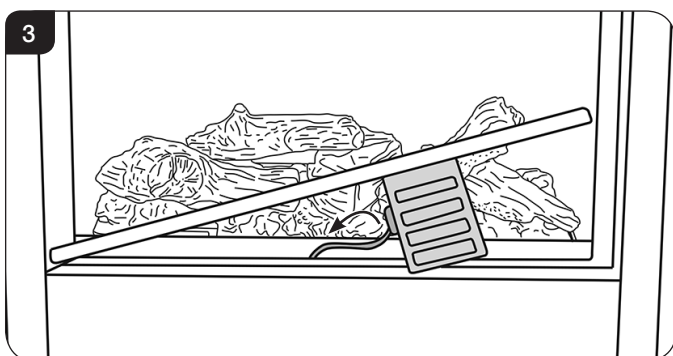
- 2.1 Remove the glass frame by removing the 2 side trims, see Diagram 1. These are held on by magnets.



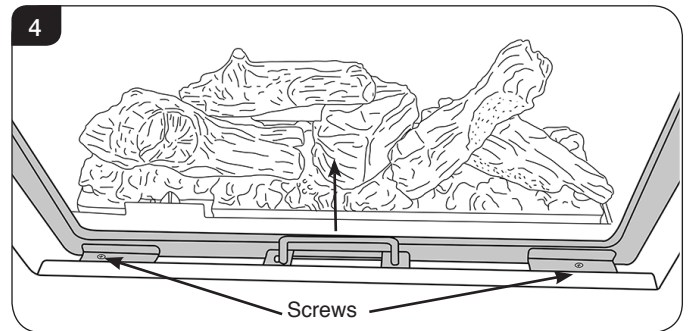
- 2.2 Lift out the bottom slotted trim, see Diagram 2. Note the orientation of the metal shield for reassembly.



- 2.3 Disconnect the battery lead from the battery pack attached to the lower slotted trim, see Diagram 3.

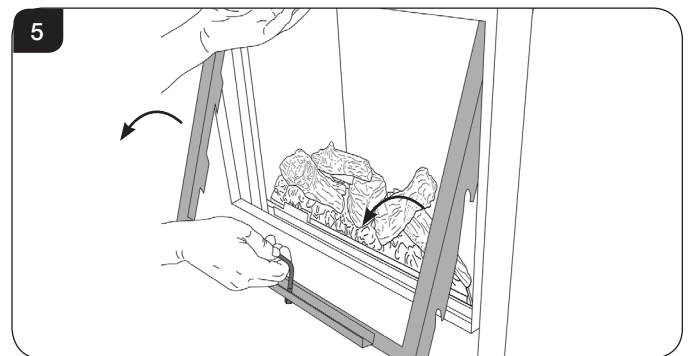


- 2.4 Remove the 2 screws at the base of the glass frame, see Diagram 4.



- 2.5 Pull up the handle at the front, see Diagram 4.

- 2.6 Whilst supporting the top, lift the glass frame using the handle, up and over the lower edge, see Diagram 5.



- 2.7 Remove the logs and Embaglow and place on a dry, clean surface.

When refitting the glass frame ensure that the rope seal on the back of the frame is intact.

- 2.8 To replace the glass frame, position so the hooks on the back of the frame fit over the side pins, see Diagram 5.

- 2.9 Push the handle down.

- 2.10 Replace the screws. As the screws are tightened the glass frame is pulled down against the hooks and forms a seal. **Replace ALL of the securing screws ensuring that a screw is present in all fixing slots.**



UNDER NO CIRCUMSTANCES SHOULD THE APPLIANCE BE USED IF ANY OF THE GLASS FRAME RETAINING SCREWS ARE LOOSE OR MISSING.

- 2.11 Connect the battery lead to the battery pack attached to the lower slotted trim.



PLEASE ENSURE NO WIRES ARE TRAPPED BEFORE REPLACING THE LOWER SLOTTED TRIM. THE LEADS ARE EASILY DAMAGED.

- 2.12 Replace the lower trim, ensuring that the angled metal shield is sloping towards the door frame.

- 2.13 Replace the 2 magnetic side trims.

Servicing Instructions - Replacing Parts

NEVER OPERATE THE APPLIANCE WHEN THE GLASS PANEL IS REMOVED OR BROKEN.

- 2.14 Replace the decorative front by referring to the separate instructions supplied with the front.

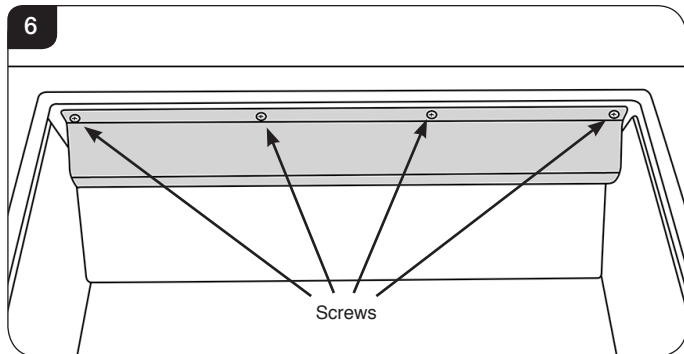
NOTE: ENSURE THAT THE LOGS ARE POSITIONED CORRECTLY, SEE SECTION 5. ONLY USE THE CORRECT AMOUNT OF LOGS AS SPECIFIED IN THE DIAGRAMS.

- 2.15 The glass front must be refitted to the appliance following cleaning or servicing.

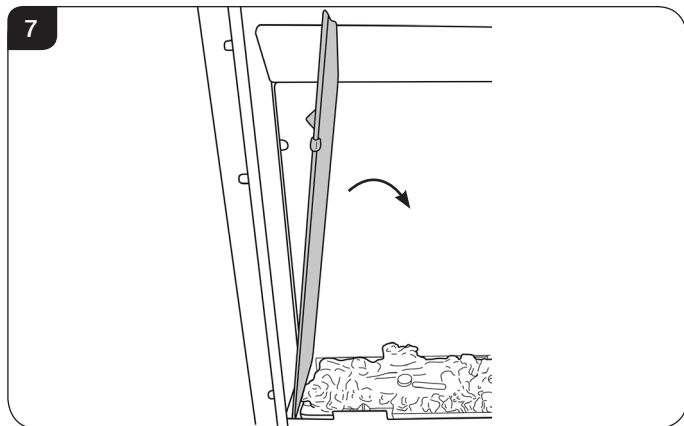
3. Removing the Baffle and Liners

- 3.1 The baffle must be removed first before accessing the lining set.

Remove the 4 screws holding the baffle in place, see Diagram 6.

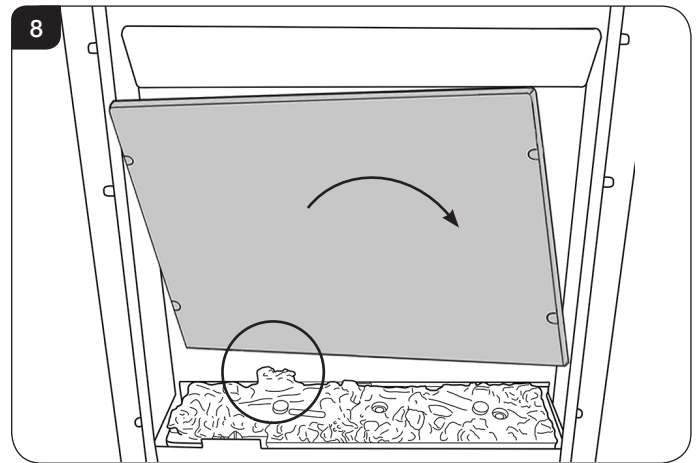


- 3.2 To remove the left hand liner tilt the top inwards towards the centre of the firebox, lift and angle through the front of the appliance, see Diagram 7.



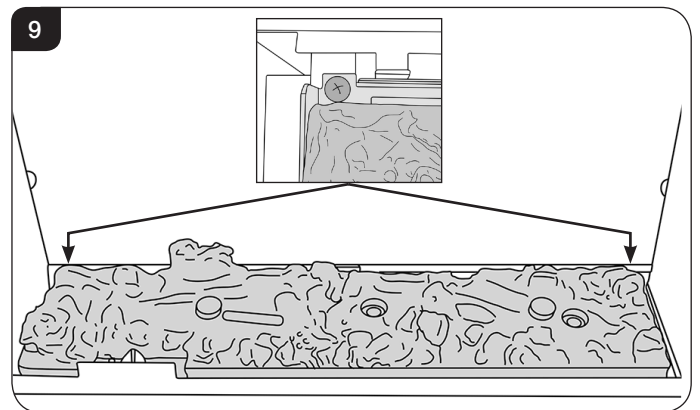
- 3.3 Support the rear liner and repeat with the right hand liner.

- 3.4 Lean the top of the rear panel carefully forward, lift and twist slightly to allow removal through the front of the appliance. **Take care not to damage the raised area on the burner unit and the pilot unit, see Diagram 8.**



4. Main Burner

- 4.1 Remove the 2 screws at the back of the burner unit, see Diagram 9.

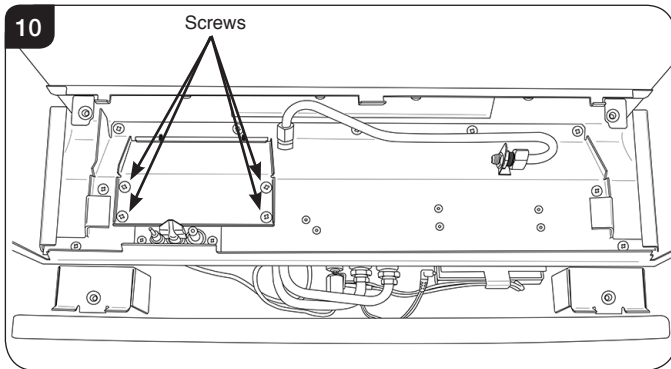


- 4.2 Slide the burner unit fully to the left and lift from the front. Carefully remove through the front of the appliance. Place carefully to one side. **Take care not to damage the raised area on the burner unit and the pilot unit.**

Servicing Instructions - Replacing Parts

5. Main Control Assembly

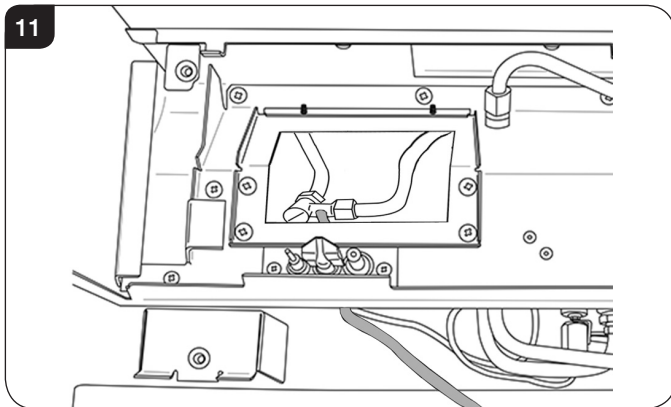
- 5.1 Remove the glass frame, baffle and liners, see Sections 2 & 3.
- 5.2 Remove the main burner, see Section 4.
- 5.3 Remove the 4 screws to remove the access plate, see Diagram 10.



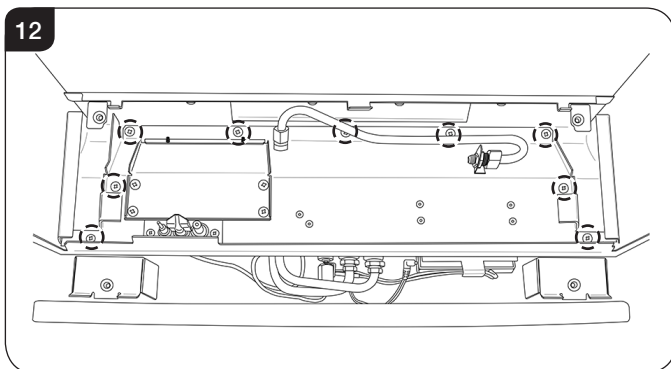
- 5.4 Turn the gas supply off at the isolation device.

HAVE YOU ISOLATED THE GAS SUPPLY?

- 5.5 Disconnect the isolating device from the appliance inlet pipe to isolate the gas supply, see Diagram 11.

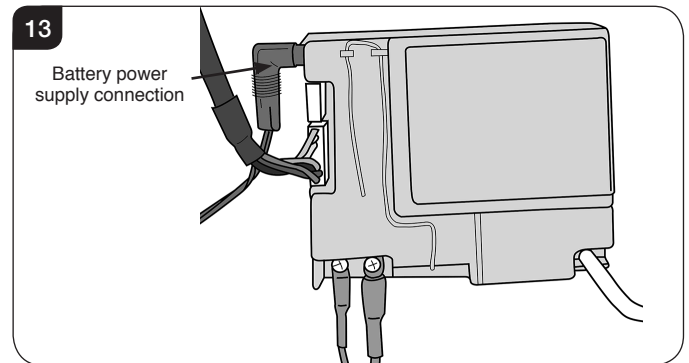


- 5.6 Remove the 9 screws securing the control assembly, see Diagram 12.



- 5.7 Lift the back of the control assembly and tilt forward to enable access to the controls.

- 5.8 Disconnect the battery supply cable from the control unit.



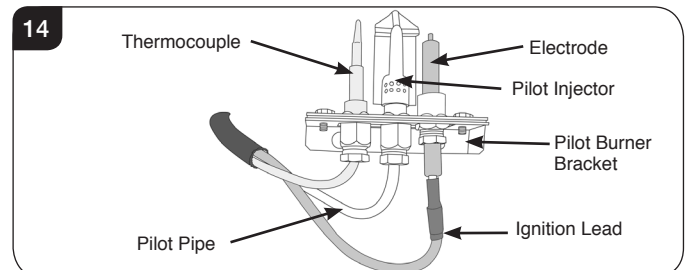
- 5.9 The control assembly can now be lifted and removed through the front of the appliance.

- 5.10 Replace in reverse order.

6. Pilot Unit

The pilot assembly consists of four components, which can be individually changed, these are:

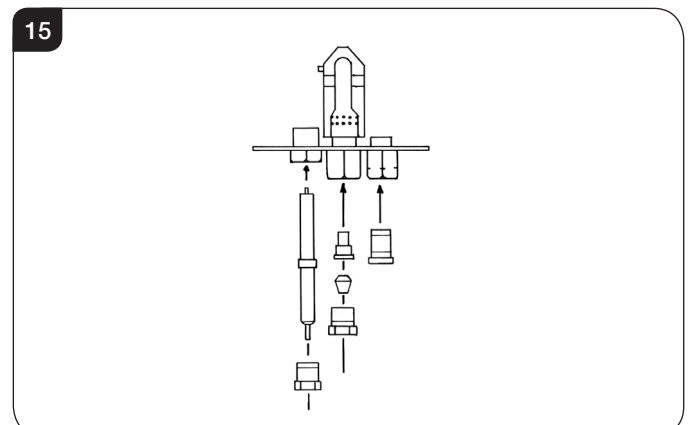
- 6a) Electrode.
- 6b) Pilot Injector.
- 6c) Thermocouple.
see Diagram 14.



- 6.1 Turn off the gas supply at the isolating device.
- 6.2 Remove the main burner and the main control assembly, see Sections 4 and 5.

6a. Electrode

- 6.3 Pull the ignition lead off the electrode and undo the retaining nut, see Diagram 15.

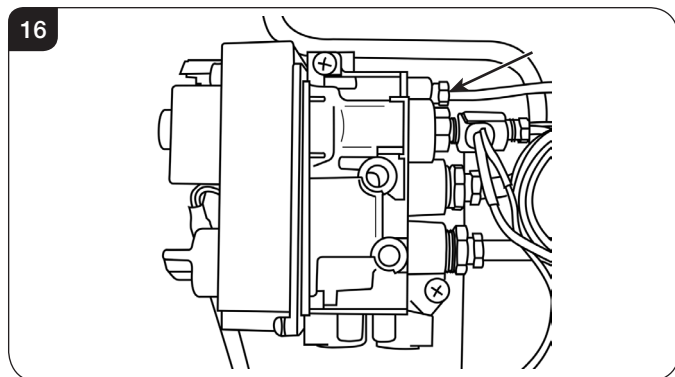


Servicing Instructions - Replacing Parts

- 6.4 Replace with a new electrode. Do not over-tighten the nut; this could break the component.
- 6.5 Replace the ignition lead.

6b. Pilot Injector

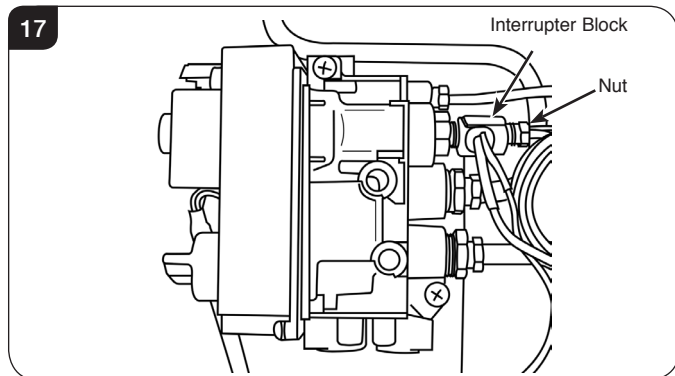
- 6.6 Undo the pilot pipe from the gas valve and from the underside of the pilot burner, see Diagram 16.



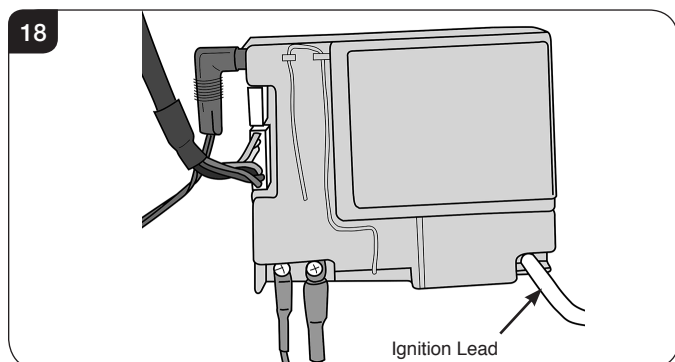
- 6.7 Remove the pipe and the injector drops out from the burner.

6c. Thermocouple

- 6.8 Unplug the Ignition lead from the electrode and undo the brass nut to remove the thermocouple from the pilot burner unit, see Diagram 14.
- 6.9 Undo the brass nut from the back of the interrupter block to disconnect the thermocouple, see Diagram 17.



- 6.10 Unplug the Ignition lead from the control box, see Diagram 18.



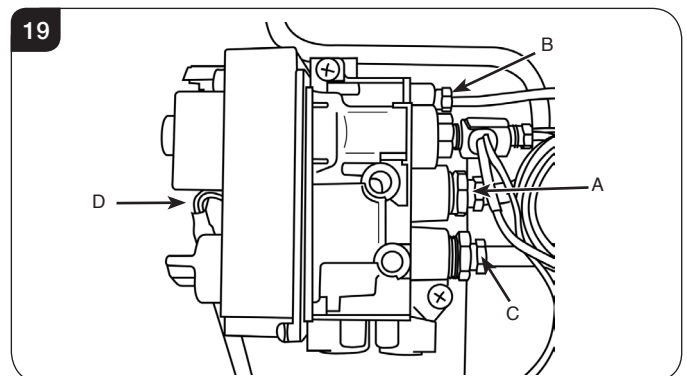
- 6.11 Carefully cut cable ties from the vidaflex.

IMPORTANT Ensure not to cut the cables.

7. Gas Valve

To change the gas valve:

- 7.1 Remove the main burner and the main control assembly, see Sections 4 and 5.
- 7.2 Release the gas inlet pipe, see Diagram 19, Arrow A.



- 7.3 Remove the thermocouple from the interrupter block.
- 7.4 Release the pilot pipe, see Diagram 19, Arrow B.
- 7.5 Release the gas outlet pipe, see Diagram 19 Arrow C.
- 7.6 Remove the 2 screws securing the valve to the support bracket and withdraw the valve.
- 7.7 Remove the eight wire loom, see Diagram 19, Arrow D.
- 7.8 Replace in reverse order.

8. Magnetic Safety Valve

To replace the magnetic safety valve:

- 8.1 Undo the thermocouple from the interrupter block and remove the two interrupter leads.
- 8.2 Unscrew the interrupter block from the back of the valve.
- 8.3 Undo the silver magnetic valve retaining nut on the back of the valve.
- 8.4 Gently tap out the mag valve.
- 8.5 Replace with a new unit.
- 8.6 Reassemble in reverse order ensuring that the interrupter leads are connected correctly with the blue tag lead furthest away from the gas valve body.

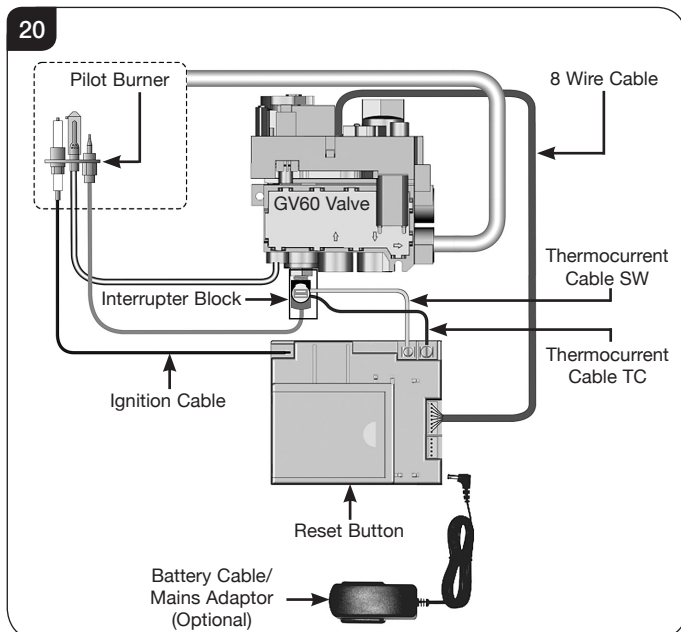
Servicing Instructions - Replacing Parts

9. Control Box

- 9.1 Remove the main burner and the main control assembly, see Sections 4 and 5.
- 9.2 Remove the two thermocurrent cables by removing the two screws, see Diagram 20.
- 9.3 Remove the ignition lead, see Diagram 20.
- 9.4 Remove the eight wire loom from the control box.
- 9.5 Remove the battery extension cable, see Diagram 20.

The control box can now be replaced.

When replacing the sealing plate on the rear of the control cover use a suitable silicone sealant.

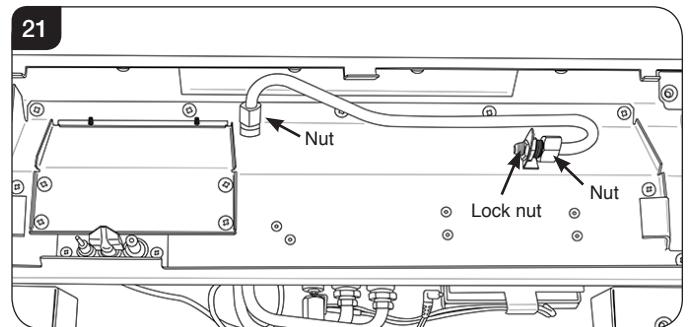


- 9.6 After replacing the control box you may need to reprogram the handset.
 - Press and hold the reset button on the control box until you hear two signals. After the second longer signal:
 - Release the reset button and within 20 seconds:
 - Press the DOWN button on the handset until you hear two additional short signals confirming the new code is set.

If there is a single long signal the code learning sequence has failed or the wiring is incorrect.

10. Main Injector

- 10.1 Remove the main burner, see Section 4.
- 10.2 Undo the 2 nuts and the lock nut, see Diagram 21.

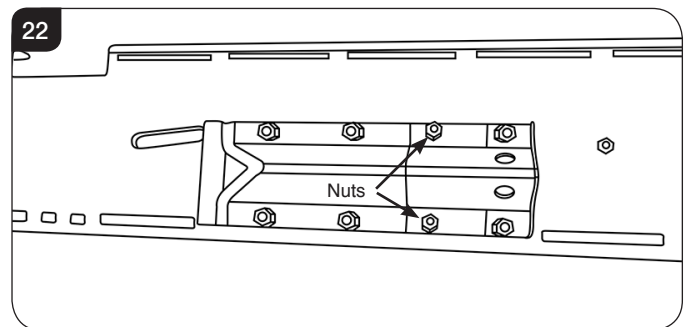


The injector can now be replaced.

- 10.3 Reassemble in reverse order.

11. Primary Aeration Plate

- 11.1 Remove the burner unit, see Section 4.
- 11.2 Turn the burn unit over and place on a soft surface so as to not damage the unit.
- 11.3 Remove the 2 fixing nuts and slide the plate off the venturi, see Diagram 22, the Aeration Plate can now be replaced.



12. Changing Between Gas Types

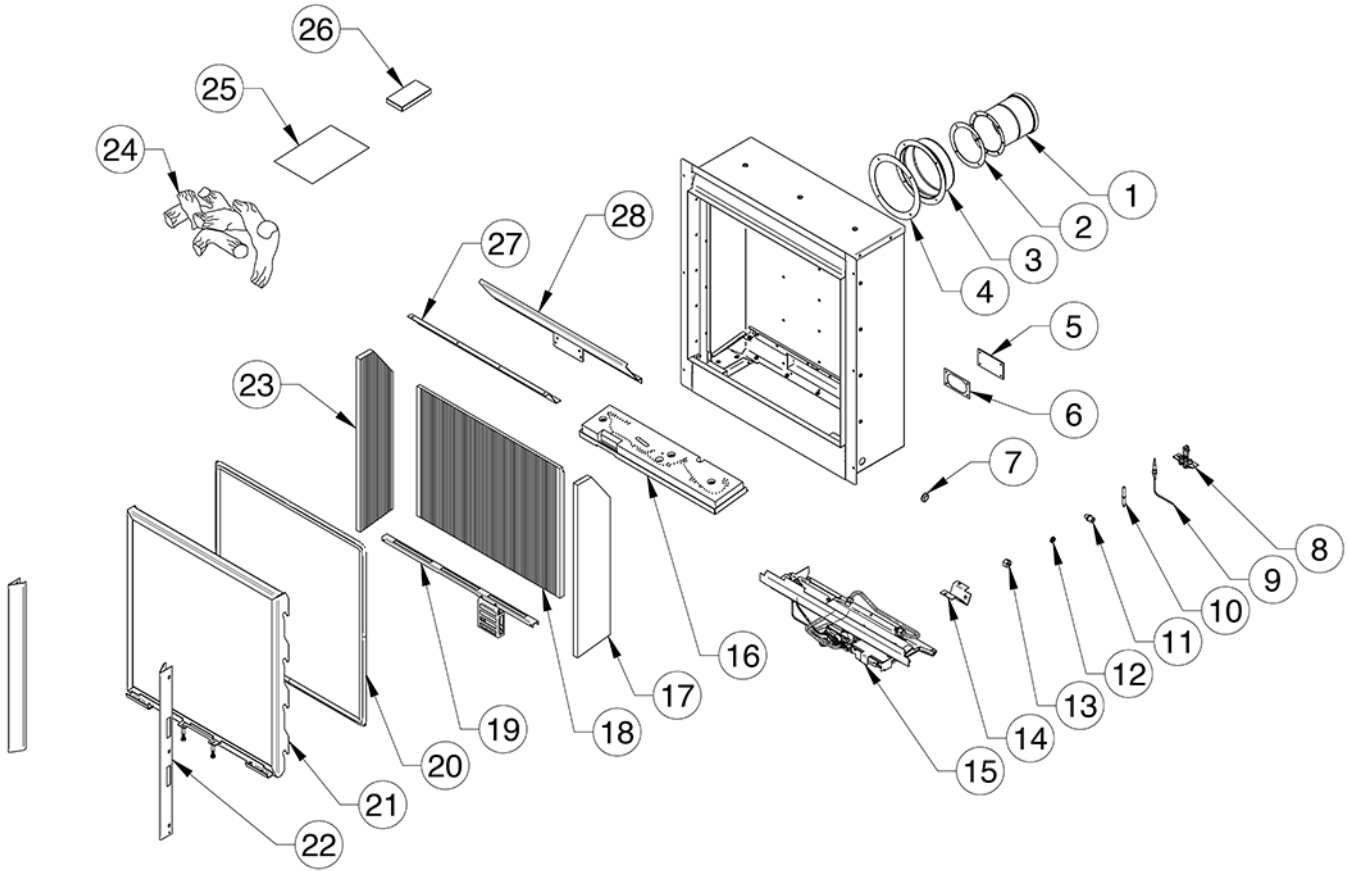
In order to change between gas types it will be necessary to change the aeration plate, injector, pilot injector, control valve and databadge.

Contact your Gazco retailer for further information.

A kit of parts is available for this. Always quote the Model number and Serial number when ordering any spare parts.

Servicing Instructions - Replacing Parts

13. Spares List - Main Assembly



No.	Component	Part Code		Qty.
		Natural Gas	LPG	
1	Inner Spigot	MEC0231		1
2	Flue Gasket (Inner)	CE0210		1
3	Outer Spigot	MEC0232		1
4	Flue Gasket (Outer)	CE0211		1
5	Inlet Plate Silicone Seal	FA0354		1
6	Inlet Plate	ME3746		1
7	Grommet	EL0022		2
8	Pilot	PI0069	PI0070	1
9	Thermocouple	PI0074		1
10	Electrode	PI0075		1
11	Injector	IN0095	IN0096	1
12	Lock Nut	FA0241		1
13	1/4" BSP Nut	FA0029		1
14	Aeration Cover	GZ10407	GZ10412	1
15	Engine Assembly	GZ14156N	GZ14156P	1
16	Burner Assembly	GZ14590		1

No.	Component	Part Code		Qty.
		Natural Gas	LPG	
17	RH Side Lining - Black Reeded	CE1865		1
	RH Side Lining - Vermiculite	CE1862		1
	RH Side Lining - Black Glass	GZ14312		1
18	Rear Lining - Black Reeded	CE1867		1
	Rear Lining - Vermiculite	CE1864		1
	Rear Lining - Black Glass	GZ14310		1
19	Infill Trim Assembly	GZ14489		1
20	Glass & Ropesal Assembly	GZ14591		1
21	Door Assembly	GZ14150		1
22	Side Frame Cover	GZ14148		2
23	LH Side Lining - Black Reeded	CE1866		1
	LH Side Lining - Vermiculite	CE1863		1
	LH Side Lining - Black Glass	GZ14311		1
24	Log Set	CE1869		1
25	Instruction & Fixing Kit	GZ14490		1
26	Embaglow	GZ8471		1
27	Top Baffle	GZ14144		1
28	Rear Baffle	GZ14149		1



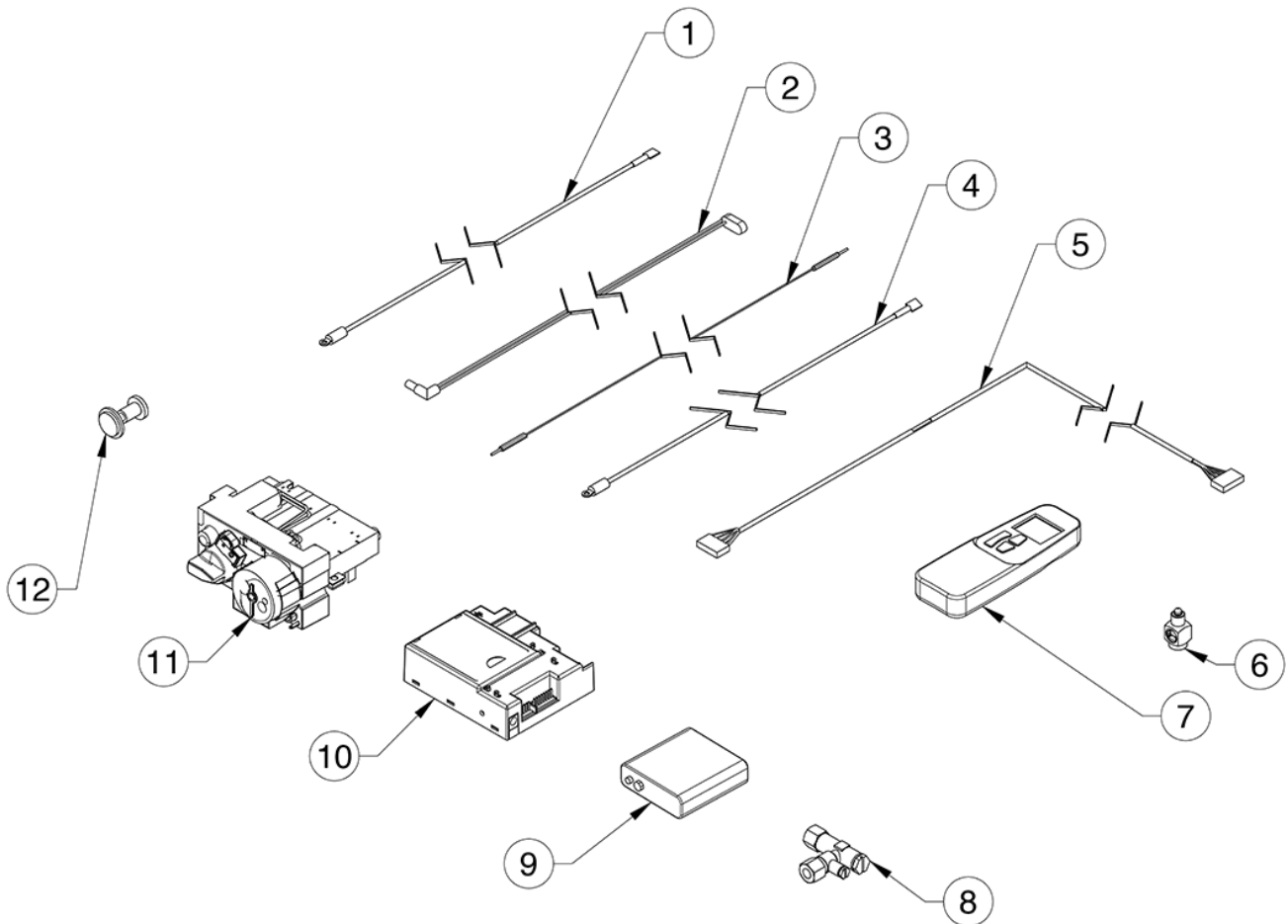
Due to continual technical improvements please check online or with your Gazco retailer for the most up to date parts lists.

Only use Genuine Gazco spares when servicing your appliance.

All of our essential spare parts and consumable items are available to purchase from our webshop at www.gazcospares.com.

Servicing Instructions - Replacing Parts

13. Spares List - Control Assembly



No.	Component	Part Code		Quantity
		Natural Gas	LPG	
1	Thermo Current Cable	GC0136		1
2	0.5m Battery Cable	GC0146		1
3	Ignition Cable	GC0125		1
4	Thermo Current Cable	EL0590		1
5	360mm Connection Cable	GC0133		1
6	Interrupter Block	GC0124		1
7	Remote Control	EL0571		1
8	Pressure Test Restrictor Elbow	GC0095		1
9	Battery Pack	EL0616		1
10	Receiver	EL0589		1
11	Control Valve	GC0123K		1
12	Mag Unit	GC0166		1



Due to continual technical improvements please check online or with your Gazco retailer for the most up to date parts lists.

Only use Genuine Gazco spares when servicing your appliance.

All of our essential spare parts and consumable items are available to purchase from our webshop at www.gazcospares.com.

Service Records

1ST SERVICE

Date of Service:.....

Next Service Due:.....

Signed:.....

Retailer's Stamp/GasSafe Registration Number

3RD SERVICE

Date of Service:.....

Next Service Due:.....

Signed:.....

Retailer's Stamp/GasSafe Registration Number

5TH SERVICE

Date of Service:.....

Next Service Due:.....

Signed:.....

Retailer's Stamp/GasSafe Registration Number

7TH SERVICE

Date of Service:.....

Next Service Due:.....

Signed:.....

Retailer's Stamp/GasSafe Registration Number

9TH SERVICE

Date of Service:.....

Next Service Due:.....

Signed:.....

Retailer's Stamp/GasSafe Registration Number

2ND SERVICE

Date of Service:.....

Next Service Due:.....

Signed:.....

Retailer's Stamp/GasSafe Registration Number

4TH SERVICE

Date of Service:.....

Next Service Due:.....

Signed:.....

Retailer's Stamp/GasSafe Registration Number

6TH SERVICE

Date of Service:.....

Next Service Due:.....

Signed:.....

Retailer's Stamp/GasSafe Registration Number

8TH SERVICE

Date of Service:.....

Next Service Due:.....

Signed:.....

Retailer's Stamp/GasSafe Registration Number

10TH SERVICE

Date of Service:.....

Next Service Due:.....

Signed:.....

Retailer's Stamp/GasSafe Registration Number

Information Requirement - Gas Heaters

Information Requirement for Gaseous Fuel Local Space Heater

Model		500HL Slimline NG	500HL Slimline LPG
Fuel	Space Heating Emissions (NOx) - mg / kWh _{input} (GCV)	130	130
Heat Output	Nominal Heat Output - P_{nom}	4.6kW	3.8kW
	Minimum Heat Output (indicative) - P_{min}	2.3kW	2.0kW
Auxiliary Electricity Consumption	At Nominal Heat Output - $e_{l,max}$	N/A	N/A
	At Minimum Heat Output - $e_{l,min}$	N/A	N/A
	In Standby Mode - $e_{l,sb}$	N/A	N/A
Useful Efficiency (NCV)	Useful Efficiency at nominal heat output - $\eta_{th,nom}$	86.0%	84.0%
	Useful Efficiency at minimum heat output (indicative) - $\eta_{th,min}$	81.1%	77.4%
Permanent Pilot Flame Power requirement	Permanent Pilot Flame Power requirement (if applicable) - P_{pilot}	N/A	N/A
Type of heat output/room temperature control			
Electronic room temperature control + day timer		Yes	Yes
Other control options (multiple selections possible)			
Room temperature control, with presence detection		No	No
Room temperature control, with open window detection		No	No
With distance control option		No	No
With adaptive start control		No	No
With working time limitation		No	No
With black bulb sensor		No	No
Energy Efficiency Index		82.0%	80.0%
Energy Efficiency Class		B	C
Contact:	Gazco Ltd, Osprey Road, Sowton Industrial estate, Exeter, EX2 7JG		

Gazco Limited, Osprey Road, Sowton Industrial Estate, Exeter, Devon, England EX2 7JG
Technical Customer Services: (01392) 261950 Fax: (01392) 261951
E-mail: technicalservices@gazco.com

A member of the Stovax Group

E & O E