

# Reflex 75T

Multi-Sided Inset Convector Fire Range  
with Harmony 10 Remote Control System



## Installation Instructions

### IMPORTANT

THE OUTER CASING, FRONT AND GLASS PANEL BECOME EXTREMELY HOT DURING OPERATION AND WILL RESULT IN SERIOUS INJURY AND BURNS IF TOUCHED. IT IS THEREFORE RECOMMENDED THAT A FIREGUARD COMPLYING WITH BS 8423 (LATEST EDITION) IS USED IN THE PRESENCE OF YOUNG CHILDREN, THE ELDERLY OR INFIRM.

For use with 230V 50Hz electricity supply only.

This product contains heat resistant glass panels. These panels should be checked during Installation and at each servicing interval. If any damage is observed on the faces of the glass panels (scratches, scores, cracks or other surface defects), the glass panels must be replaced and the appliance must not be used until a replacement is installed. Under no circumstances should the appliance be used if any damage is observed, the glass panels are removed or broken.

THIS APPLIANCE MUST BE EARTHED

# CONTENTS

## Reflex 75T Multi-Sided - Balanced Flue

Covering the following models:

	Nat Gas	LPG
<b>Reflex 75T 3-Sided</b>	191-004	191-543
<b>Reflex 75T 2-Sided Left Facing Glass</b>	191-010	191-414
<b>Reflex 75T 2-Sided Right Facing Glass</b>	191-027	191-438

**Appliance Commissioning Checklist .....3**

**Installation Instructions .....4**

Technical Specifications ..... 7

Installation ..... 10

Commissioning ..... 35

**Servicing Instructions.....36**

Fault Finding..... 36

How to Replace Parts ..... 39

Spare Parts List..... 51

Information Requirement - Gas Heaters ..... 54

Service Records ..... 55



It is a requirement of the Building Regulations 2010 that the installation of this appliance is notified to the Local Authority. It is the responsibility of the GasSafe registered installer to carry out this notification to the Local Authority via the GasSafe register Competent Persons Scheme in England and Wales (different rules apply in Scotland and Northern Ireland).

When the installation has been notified, GasSafe will send a Building Regulations Compliance Certificate to you containing details of the work completed. Please ensure that the person responsible for the installation of this appliance completes this notification and records it in the Appliance Commissioning Checklist on page 3.

**IT IS YOUR RESPONSIBILITY TO COMPLY WITH THE BUILDING REGULATIONS AND BE ABLE TO PRODUCE THIS CERTIFICATE SHOULD IT BE REQUIRED IN THE FUTURE.**

# APPLIANCE COMMISSIONING CHECKLIST

To assist us in any guarantee claim please complete the following information:-

## IMPORTANT NOTICE

Explain the operation of the appliance to the end user, hand the completed instructions to them for safe keeping, as the information will be required when making any guaranteed claims.

FLUE CHECK	PASS	FAIL
1. Flue Is correct for appliance		
2. Flue flow Test		
3. Spillage Test		
GAS CHECK		
1. Gas soundness & let by test		
2. Standing gas pressure	mb	
3. Appliance working pressure (on High Setting) Minimum Pressure Requirement: NG - 17.5mbar LPG - 34.5mbar NB All other gas appliances must be operating on full	mb	
4. Gas rate	m <sup>3</sup> /h	
5. Does Ventilation meet appliance requirements		
SAFETY CHECK		
1. Check soundness of the Thermocouple connections - including tightness and lead integrity		
2. Glass checked to ensure no damage, scratches, scores or cracks		
3. Glass frame secured correctly and all screws replaced		
BUILDING CONTROL NOTIFICATION	YES	NO
1. Installer notified GasSafe/Local Authority of installation via Competent Persons Scheme?		

## RETAILER AND INSTALLER INFORMATION

Retailer .....

Installation Company .....

.....

.....

.....

.....

Contact No.....

Engineer.....

Date of Purchase .....

Contact No.....

Model No. ....

GasSafe Reg No. ....

Serial No.....

Date of Installation .....

Gas Type .....

# INSTALLATION INSTRUCTIONS

## INSTALLATION

### APPLIANCE LOCATION

This appliance **must** only be fitted into a studwork installation.

This appliance must not be installed in a room that contains a bath or shower.

Combustible parts of the studwork must not be any closer than the minimum dimensions shown in the diagrams. NOTE: These dimensions must be maintained even if the combustible materials is protected by non-combustible linings.

Do not pack the void around or above the appliance with insulation materials such as mineral wool.

#### 3-Sided Installation

The void into which the cassette is fitted must be ventilated to prevent a build up of heat. If the void is sealed then it will be necessary to fit vents at both low and high levels of both sides **with a cut size of 300cm<sup>2</sup> each**. These vents should take cold air from the room and return warm air back into the room.

#### 2-Sided Installation

The void into which the cassette is fitted must be ventilated to prevent a build up of heat. If the void is sealed then it will be necessary to fit vents at both low and high levels of the exposed side-face **with a cut size of 300cm<sup>2</sup> each**. These vents should take cold air from the room and return warm air back into the room.

Gazco recommend using DuctStore W100 Linear Bar Grille vents or equivalent (available online).

**DO NOT USE PLASTIC VENTS.**

A removable access hatch must be left in the side of the chimney breast for future servicing and inspection of the appliance.

Build the studwork chimney breast to the desired size. Ensure that the clearances to combustible materials is maintained.

## SAFETY PRECAUTIONS

For your own and other's safety, you must install this appliance according to local and national codes of practice. Failure to install the appliance correctly could lead to prosecution. **Read these instructions before installing and using this appliance.**

These instructions must be left intact with the user.

Do not attempt to burn rubbish on this appliance.

Keep all plastic bags away from young children.

Do not place any object on or near to the appliance and allow adequate clearance above the appliance.

**IF THE APPLIANCE IS EXTINGUISHED OR GOES OUT IN USE, WAIT 3 MINUTES BEFORE ATTEMPTING TO RELIGHT THE APPLIANCE.**



**IMPORTANT: REFER TO DATA BADGE AND TECHNICAL SPECIFICATION AT THE FRONT OF THE MANUAL TO ENSURE THE APPLIANCE IS CORRECTLY ADJUSTED FOR THE GAS TYPE AND CATEGORY APPLICABLE IN THE COUNTRY OF USE.**

**FOR DETAILS OF CHANGING BETWEEN GAS TYPES REFER TO SERVICING SECTION REPLACING PARTS.**

## UNPACKING

Remove the appliance from its packaging, and check that it is complete and undamaged.

Put the loose ceramic parts to one side so that they are not damaged during installation.

## FLUE & CHIMNEY REQUIREMENTS

**Note: This appliance must only be installed with the flue supplied.**

The following must be adhered to:

The flue must be sited in accordance with BS5440: Part 1 (latest edition).

Fit a guard to protect people from any terminal less than 2 metres above any access such as level ground, a balcony or above a flat roof.

All vertical and horizontal flues must be securely fixed and fire precautions followed in accordance with local and national codes of practice.

Two types of flue terminals are available, horizontal and vertical.

To measure for a horizontal terminal decide on the terminal position.

Measure the height from the top of the appliance to the centre of the required outlet.

For minimum and maximum flue dimensions see relevant sections.

Allow enough room either above or to the side of the appliance to assemble the flue on top.

Assemble a horizontal flue in the following order:

- Vertical section
- 90° elbow
- Horizontal plus terminal

Support the opening of a masonry installation with a lintel.

Only the horizontal terminal section can be reduced in size.

## TIMBER FRAMED BUILDINGS

It will be necessary to provide additional clearance when the flue passes through a wall containing any combustible materials so as to prevent a fire hazard.

The hole through which the flue will pass, must have a steel sleeve which is positioned so that an air gap of at least 25mm is maintained between the outer surface of the flue, and any part of the sleeve.

For further guidance on the installation of gas appliances in timber framed buildings, contact your local buildings control authority.

## GAS SUPPLY

**This appliance is intended for use on a gas installation with a governed meter.**

Make sure local distribution conditions (identification of the type of gas and pressure) and the adjustment of the appliance are compatible before installation.

Ensure the gas supply delivers the required amount of gas and is in accordance with the rules in force.

Soft copper tubing can be used on the installation and soft soldered joints outside the appliance.

A factory fitted isolation device is part of the inlet connection; no further isolation device is required.

All supply gas pipes must be purged of any debris that may have entered prior to connection to the appliance.

The gas supply enters through the Silicone Panel located on the LEFT-HAND side of the outer box BASE. Slit with a sharp knife prior to passing the supply pipe through.

The gas supply must be installed in a way that does not restrict the removal of the appliance for servicing and inspection.

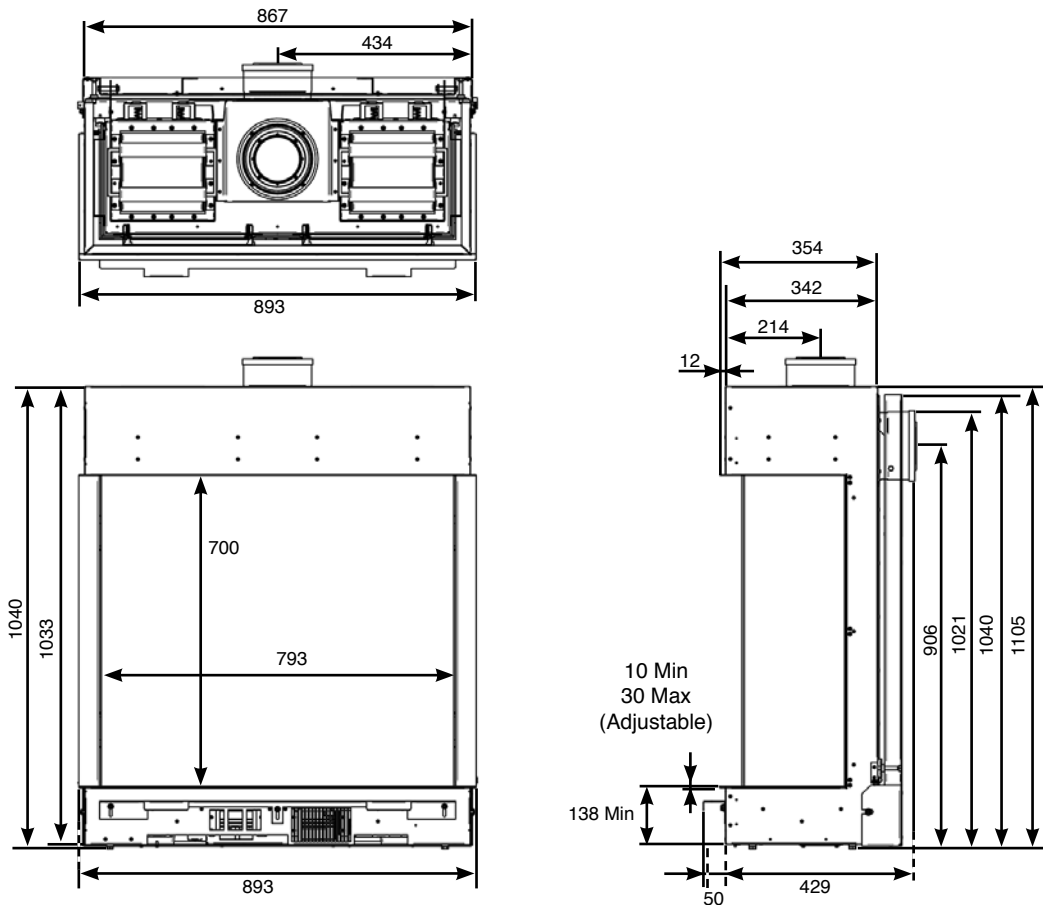
## VENTILATION

The installation of this product requires no additional ventilation modifications to the building.

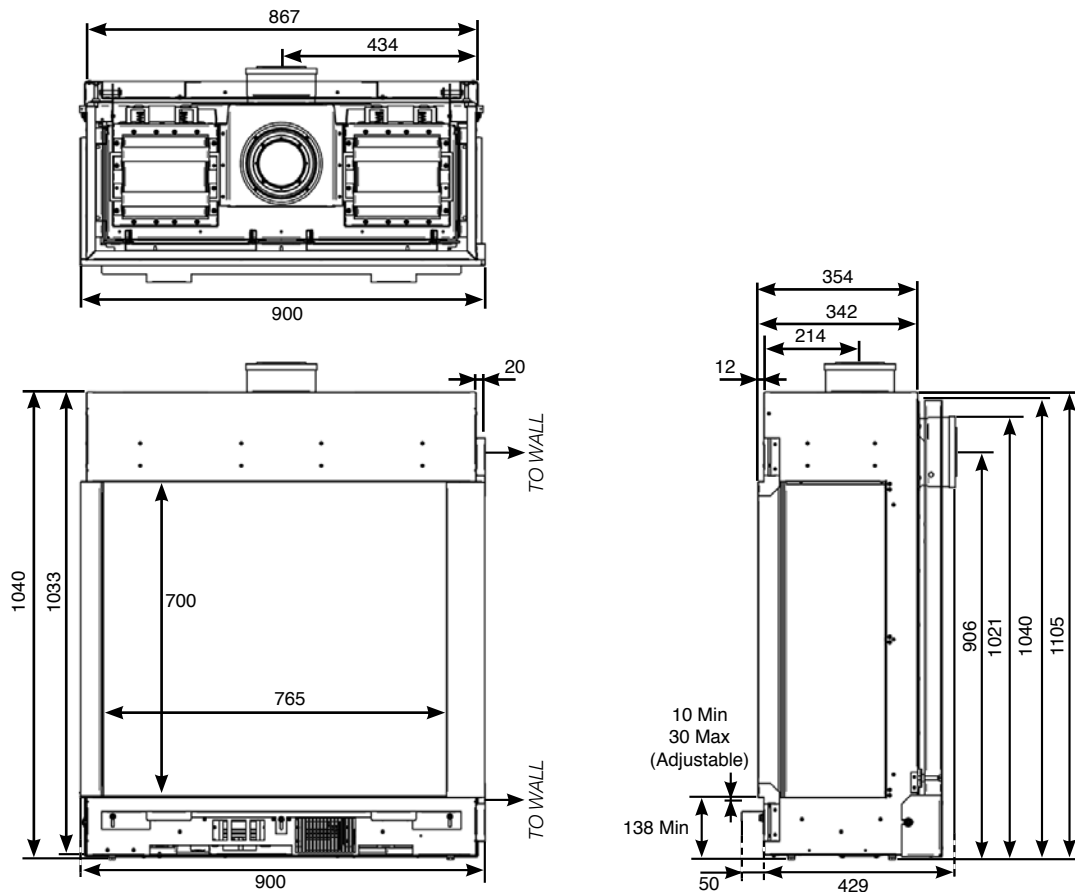
However, it will be necessary to ensure the housing for the appliance has vents provided to allow air to circulate and prevent overheating.

# INSTALLATION INSTRUCTIONS

## DIMENSIONS - 3-SIDED INSTALLATION



## DIMENSIONS - 2-SIDED INSTALLATION (EITHER SIDE)



# INSTALLATION INSTRUCTIONS

## TECHNICAL SPECIFICATION

Covering the following models:


	Nat Gas	LPG
Reflex 75T 3-Sided	191-004	191-543
Reflex 75T 2-Sided Left Facing Glass	191-010	191-414
Reflex 75T 2-Sided Right Facing Glass	191-027	191-438

Model	Gas CAT.	Gas Type	Working Pressure	Gas Rate m <sup>3</sup> /h	Input kW (Gross)		Country
					High	Low	
Reflex 75T	I <sub>2</sub> H	Nat Gas G20	18mbar	1.000	10.5	4.3	GB, IE
Reflex 75T	I <sub>3+</sub>	Propane G31	37mbar	0.376	10.0	4.1	
<b>Efficiency Class 1 - 92% / NO<sub>x</sub> Class 4</b>							
Flue Outlet Size Ø 100mm							
Flue Inlet Size Ø 152mm							
Gas Inlet Connection Size Ø 8mm							

Power Supply: A 230V +/- 10% - 50Hz  
 Maximum power consumption: 9 Watts  
 Operating Temperature: 0°C - 40°C

### THIS APPLIANCE MUST BE EARTHED

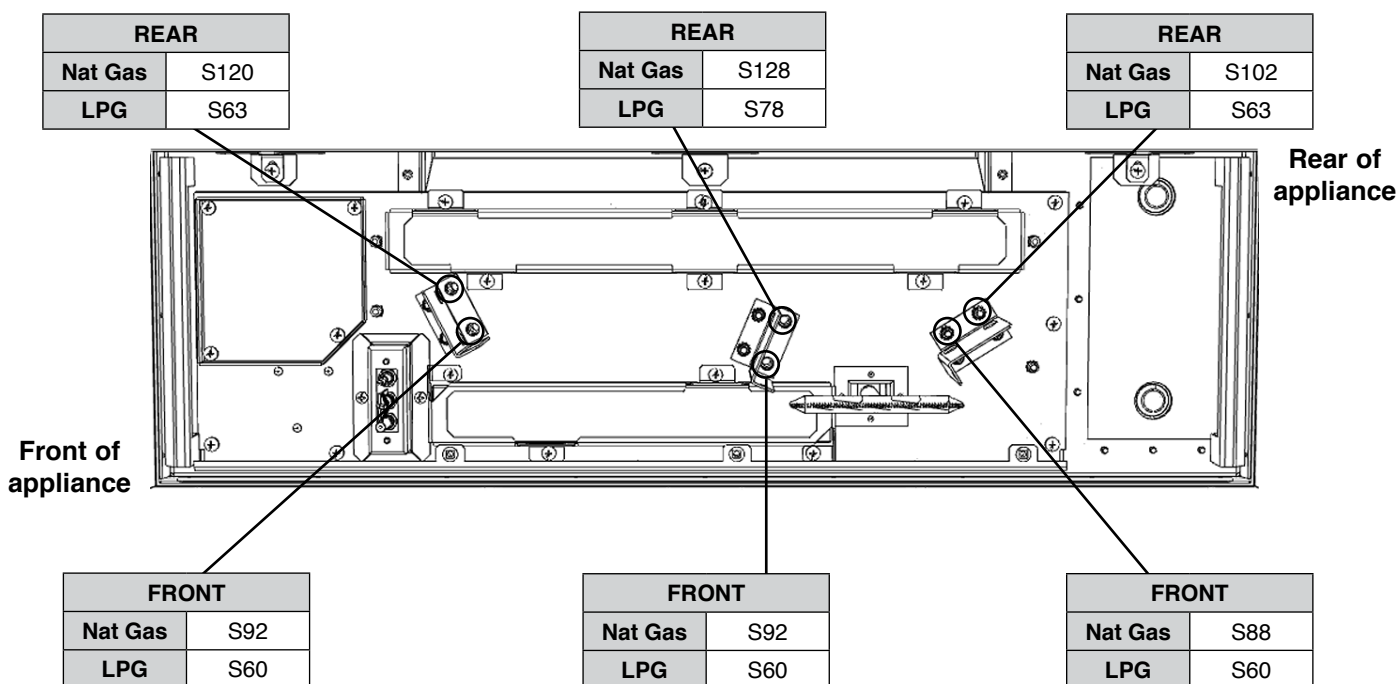
A 2 metre lead with plug containing a 3 amp fuse is supplied. Only use a 3 amp fuse with this appliance.

 The net efficiency of this appliance has been measured as specified in EN613:2001 and the result after conversion to gross using the appropriate factor from Table E4 of SAP 2012 is 81.9%. The test data has been certified by Kiwa Nederland BV. The gross efficiency value may be used in the UK Government's Standard Assessment Procedure (SAP) for energy rating of dwellings.

# INSTALLATION INSTRUCTIONS

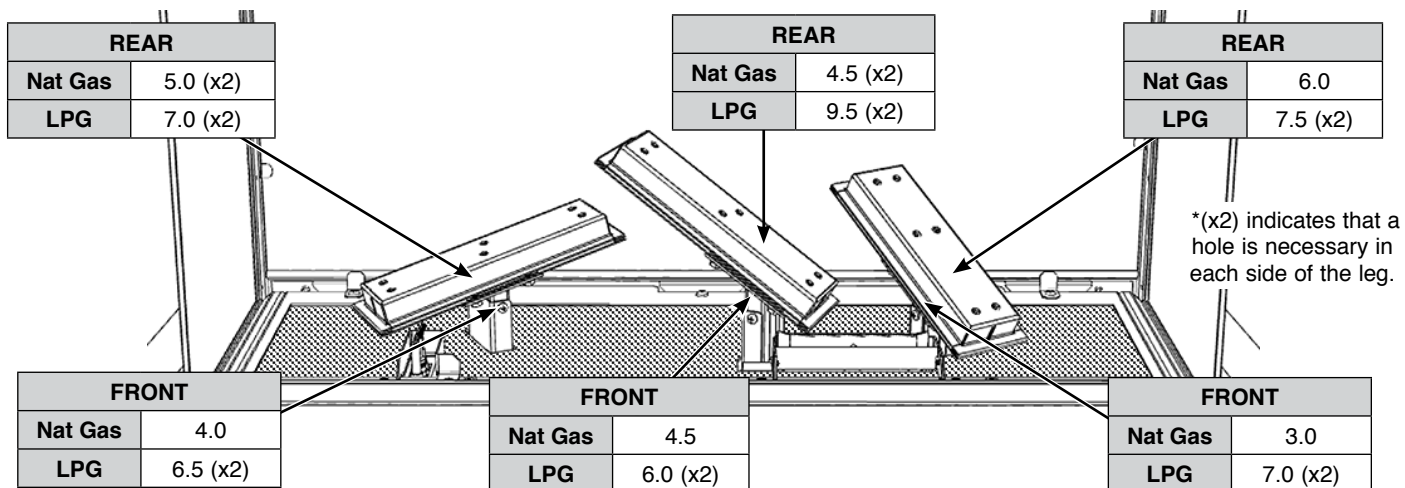
## TECHNICAL SPECIFICATION

### Injector Table



### Aeration Table

NOTE: Aeration plates are on each leg of the burners. These holes are different sizes at the Front and Back for each individual leg.





# INSTALLATION INSTRUCTIONS

## TECHNICAL SPECIFICATION

### Restrictor Table

RESTRICTOR REQUIREMENT - VERTICAL & HORIZONTAL FLUE SPECIFICATION		
Reflex 75T		
Vertical flue height from top of appliance	Horizontal length	Restrictor size
500mm - 999mm	Up to 500mm	N/A
1000mm - 1499mm	Up to 1000mm	N/A
1500mm - 3000mm	Up to 5000mm	N/A

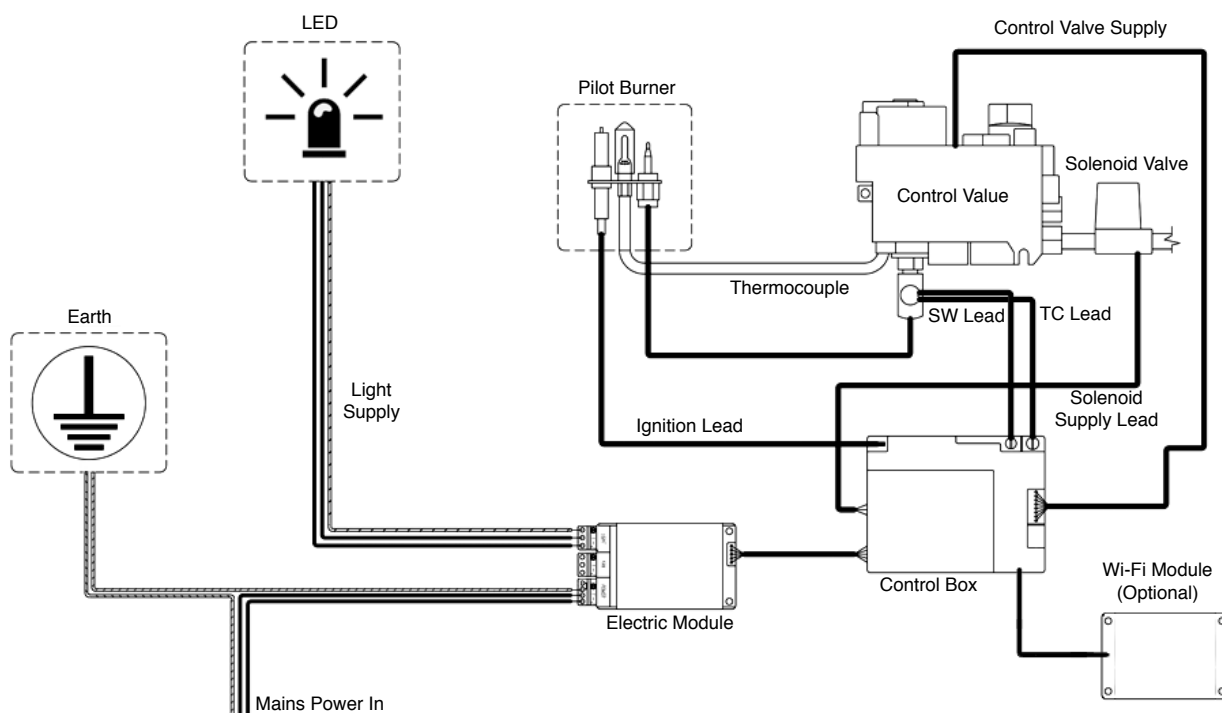
TOP EXIT - VERTICAL ONLY INCLUDING OFFSET	
Vertical flue height from top of appliance	Restrictor size
1500mm - 2999mm	75mm
3000mm - 5999mm	70mm
6000mm - 10000mm	60mm

This appliance has been certified for use in countries other than those stated. To install this appliance in these countries, it is essential to obtain the translated instructions and in some cases the appliance will require modification. Contact Gazco for further information.

### PACKING CHECKLIST

Qty. Description	Fixing kit containing
1 x Cassette and burner assembly	1 x Instruction manual
1 x Set of lining panels	1 x Handset
1 x Log set (5 logs)	2 x AAA cell batteries
2 x Large Embers	1 x Wall Mounting Bracket
1 x Pilot Ember	8 x M8 Anchor bolts
2 x Small Embers	1 x 75mm Restrictor
1 x Shale Effect pack	
1 x Amber Effect pack	

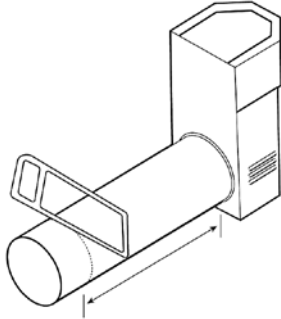
## WIRING DIAGRAM



# INSTALLATION INSTRUCTIONS

## FLUE OPTIONS

### REAR FLUE



Terminal dimensions:  
395 x 200 x 200 mm (H x W x D)  
Guard supplied  
Cut to length as required on site.



**IMPORTANT: REAR FLUE INSTALLATION**  
When fitting the appliance with a rear flue terminal it is essential to observe distances to combustible material when flue passes through a combustible wall. Ensure the terminal is suitable protected if fitting to an external combustible structure. There is a fixing kit available from Gazco (Part No 999-220). **DO NOT INSTALL DIRECTLY ONTO A COMBUSTIBLE SURFACE.**

Decide on the terminal position.

Measure the height from the finished hearth level/ base of the appliance to the centre of the required hole.

NOTE - Carefully consider:

- Terminal positions
- Flue supports
- Weatherproofing
- Fire precautions

For all the above options, you must conform to local and national codes of practice.

Use only Gazco supplied flue on this appliance.

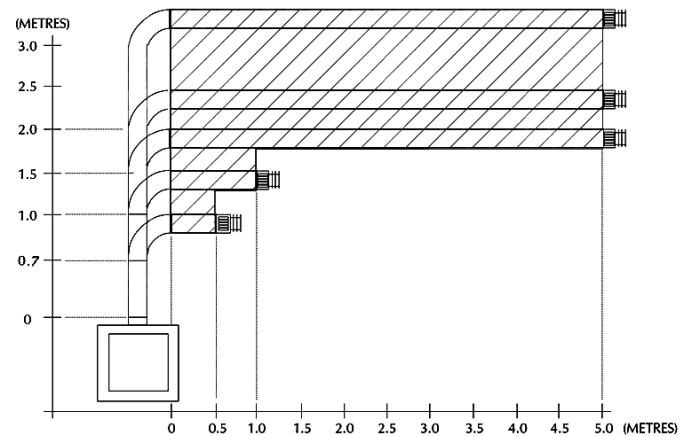
A guard (supplied) must be fitted to any terminal less than 2 metres above any access such as level ground, a balcony or above a flat roof.

### REFLEX 75T TOP EXIT FLUE

#### TOP FLUE UP AND OUT KIT (8523)

Vertical from the top of the appliance then horizontally out.  
The basic kit comprises:

- 1 x 500mm terminal length
- 1 x 90 degree elbow
- 1 x 500mm vertical length
- 1 x wall plate
- 1 x 60mm restrictor
- 1 x 75mm restrictor
- 4 x fixing screw



Start of bend to centre line of horizontal flue 170mm. Centre line of vertical flue to end of bend 220mm.

This kit provides the minimum materials. Extra lengths can be added to the vertical and horizontal sections.

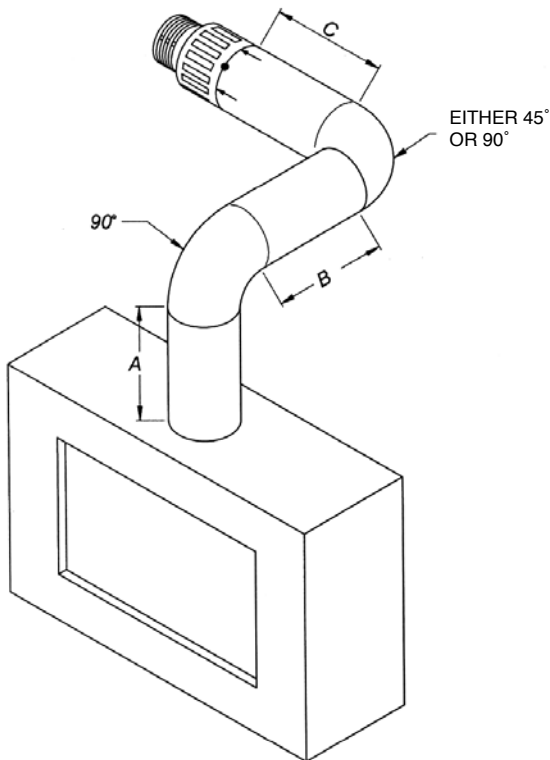
Refer to Restrictor Table on page 9 to identify when to use a restrictor.

# INSTALLATION INSTRUCTIONS

## FLUE OPTIONS

### TOP FLUE UP AND OUT WITH ADDITIONAL BEND

Any additional bend may be used on the horizontal section (either 45° or 90°), but the overall horizontal flue run will be reduced.



When A = 1.0 to 1.499 metres B + C = 1.0 metres maximum  
When A = 1.499 metres to 3.0 metres B + C = 4.0 metres maximum

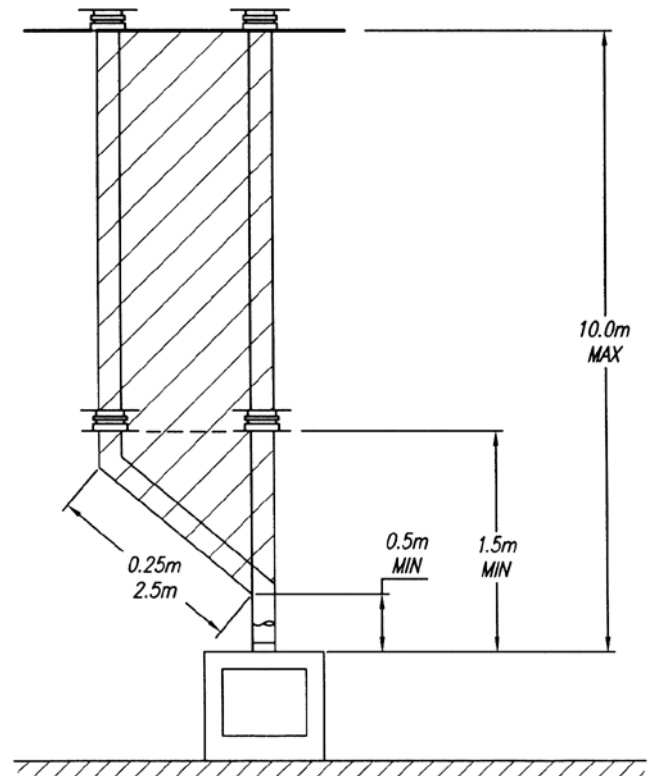
### REFLEX 75T - TOP FLUE VERTICAL KIT (8524)

This flue is vertical from the top of the appliance. A minimum vertical rise of 1.5m (4'92") to a maximum of 10m (32'10").

The basic kit comprises:

- 2 x 1m lengths
- 1 x 1m terminal lengths
- 1 x 52mm restrictor
- 1 x 47mm restrictor
- 1 x 60mm restrictor
- 1 x 70mm restrictor

Extra lengths may be added from the table on Page 9.



# INSTALLATION INSTRUCTIONS

## FLUE OPTIONS

### TOP FLUE VERTICAL OFFSET KIT (8530/8530AN)

Used with kit 8524. A minimum rise of 500mm (19 1/2") is required to the first bend.

### OPTIONAL EXTRA FLUE LENGTHS AND BENDS


All flue components are 150mm diameter (6")

NOMINAL LENGTH	ACTUAL LENGTH	STAINLESS FINISH	ANTHRACITE FINISH
200mm	140mm	8527	8527AN
500mm	440mm	8528	8528AN
1000mm	940mm	8529	8529AN
45° Bend	N/A	8507	8507AN
90° Bend	N/A	8508	8508AN

**NOTE:** The following areas need careful consideration.

- a) Terminal positions
- b) Flue supports
- c) Weatherproofing
- d) Fire precautions

For all the above options, local and national codes of practice must be adhered to.

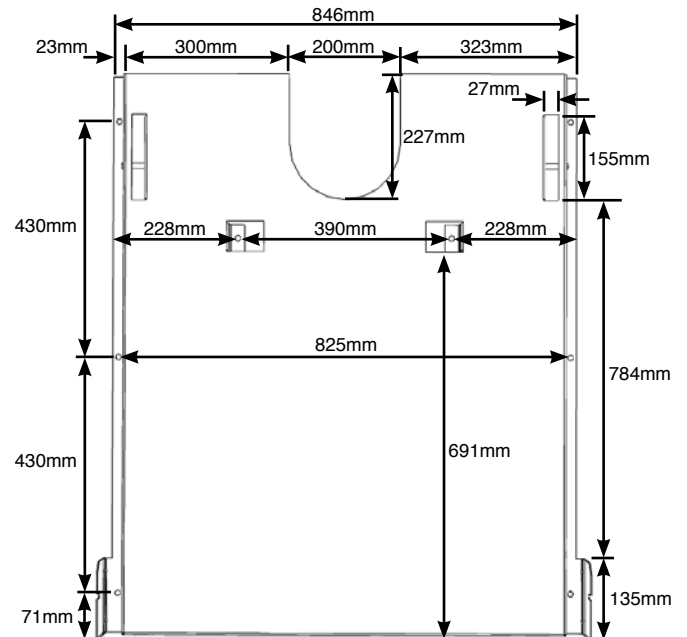
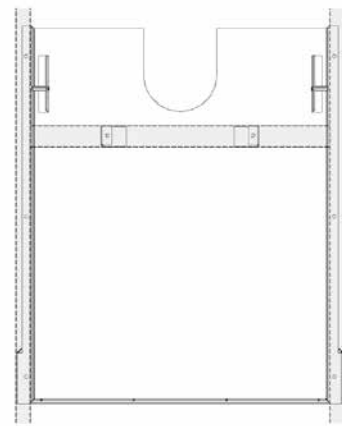


**IMPORTANT:**  
1M VERTICAL, TERMINAL AND STRAIGHT FLUE LENGTHS MUST NOT BE CUT!

### REMOVING THE MOUNTING BRACKET



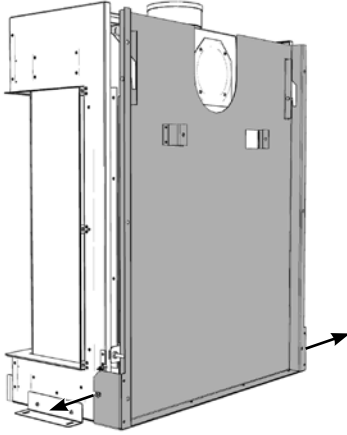
This appliance weighs 108Kg. The manufacturer has designed this appliance to attach to a masonry wall and all fixings supplied reflect this. However if desired it is possible to locate the Reflex on a non-combustible studwork wall providing it is constructed to give adequate load bearing support. If intending to install the appliance on a studwork wall it is essential that the battens are located across the fixing areas of the wall mounting bracket.



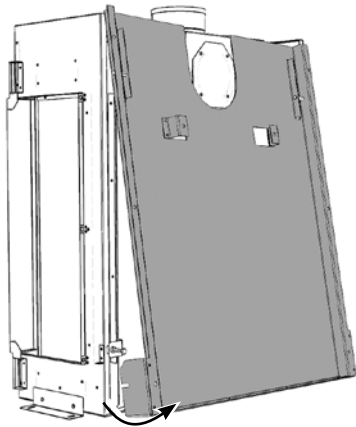
## MOUNTING BRACKET

The fixing points must be through the timber stud and not plasterboard. Use appropriate fixings.  
**DO NOT** attach solely to a plasterboard wall.

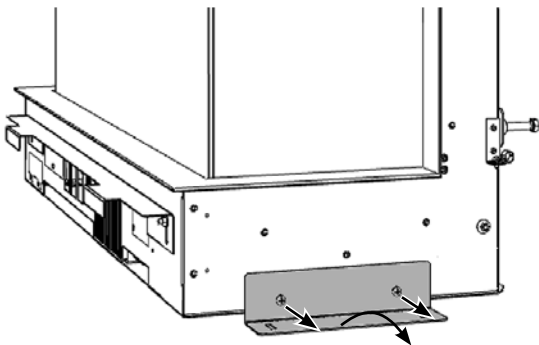
①



②



③

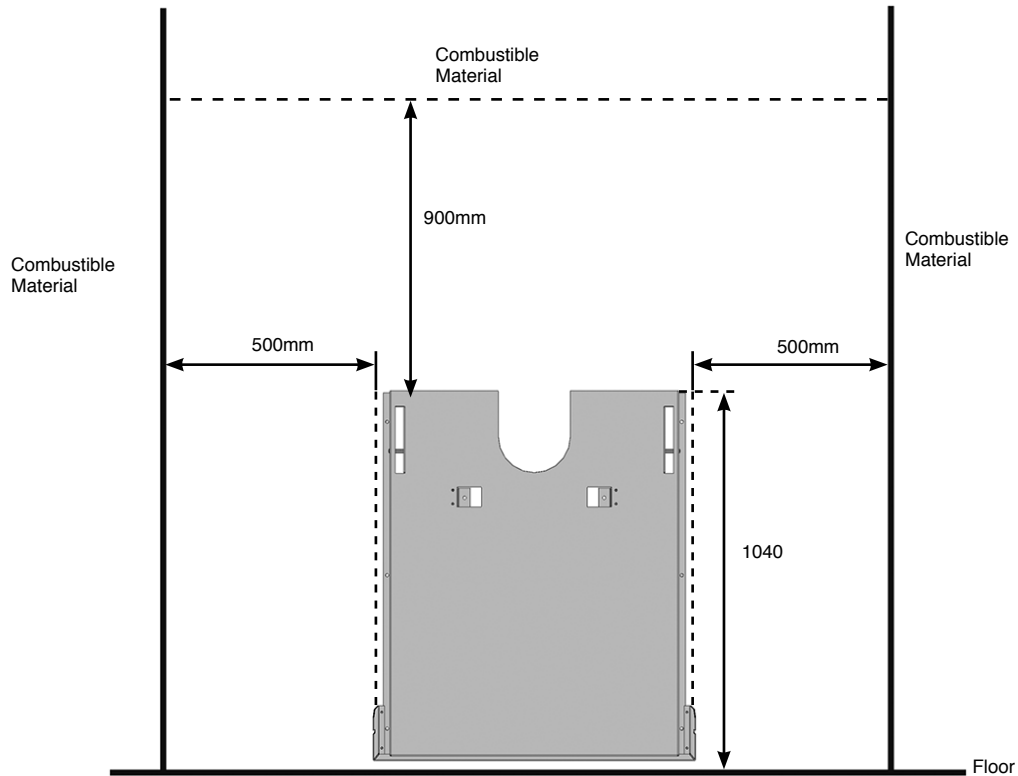


# INSTALLATION INSTRUCTIONS

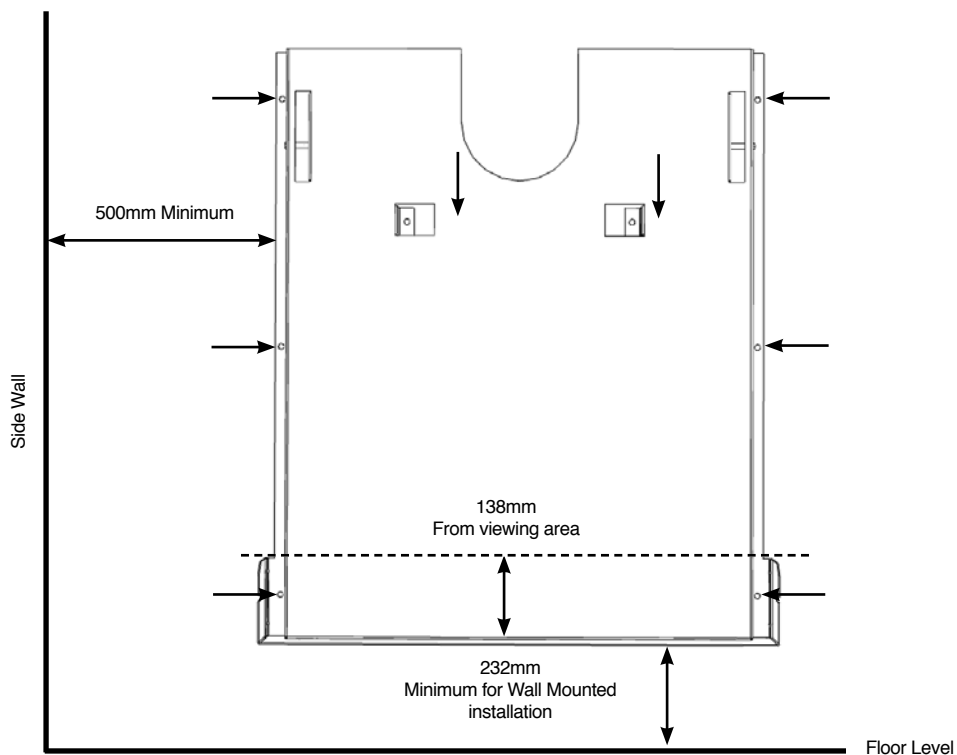
## MOUNTING BRACKET

## MOUNTING BRACKET CLEARANCES

### Floor Mounted



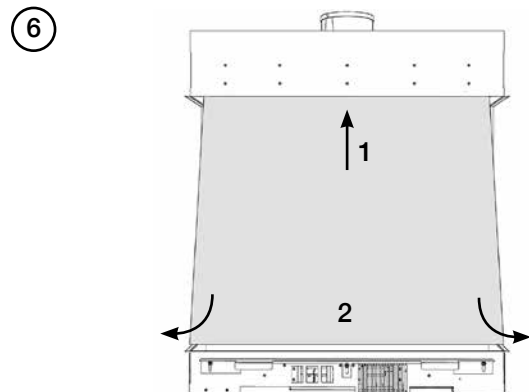
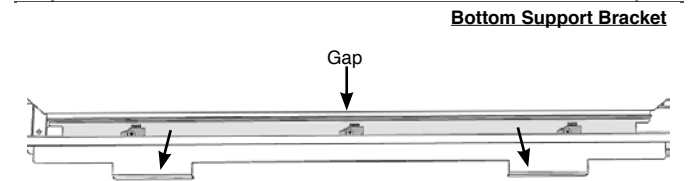
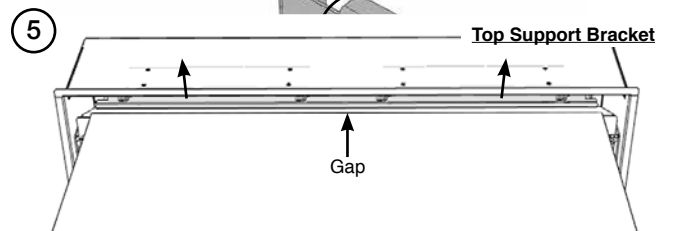
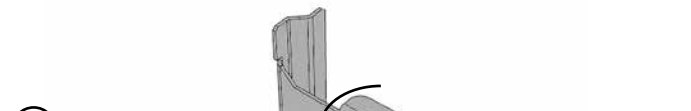
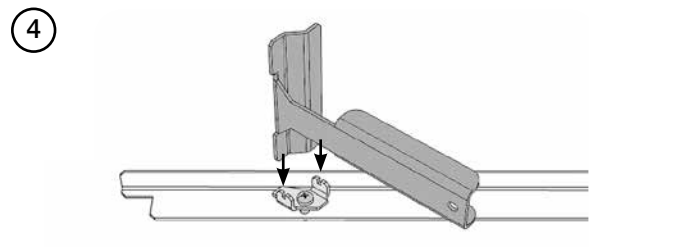
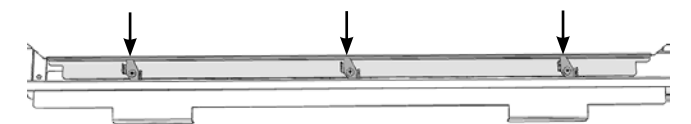
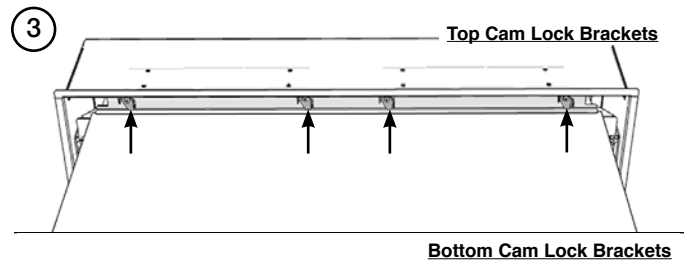
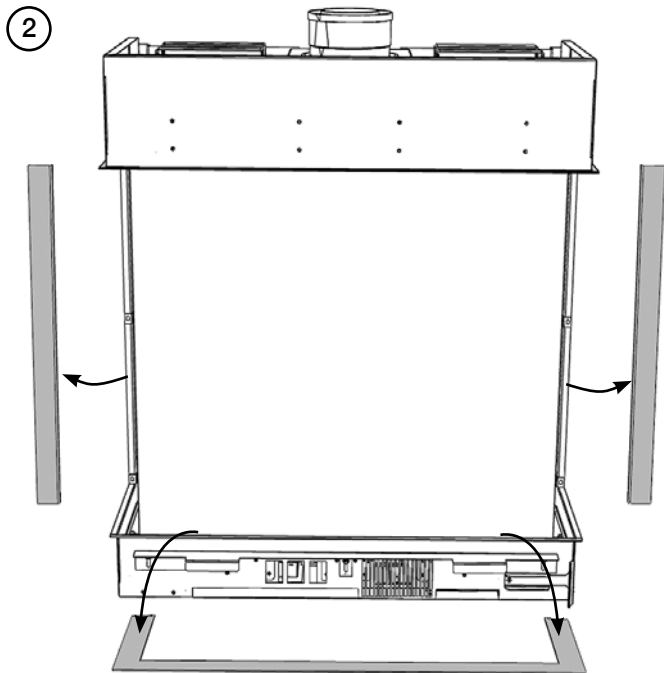
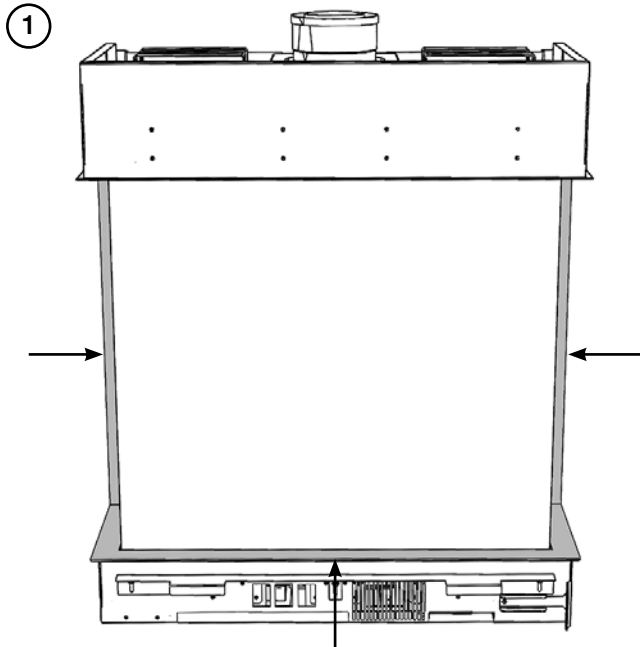
### Wall Mounted



# INSTALLATION INSTRUCTIONS

## PRE-INSTALLATION

### REMOVING THE GLASS

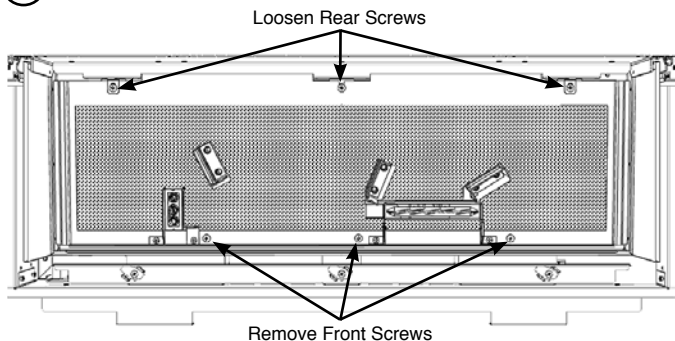


**i** The side glass does not need to be removed to install the appliance. It is recommended to leave the Side Glass in situ unless absolutely necessary.

# INSTALLATION INSTRUCTIONS

## REMOVING THE MESH AND ACCESS PANEL

① Reflex 75T

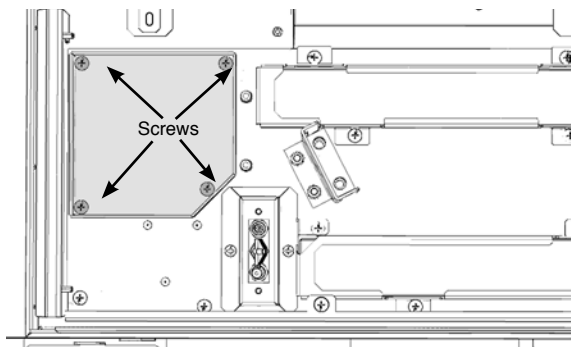


NOTE: The left and right hand rear screws secure the 2 lower liner tabs.

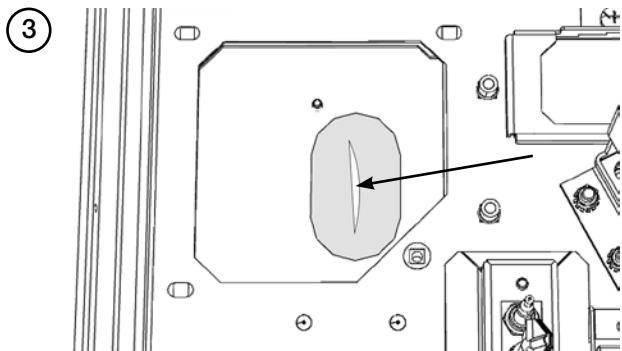
Slide the Mesh Tray forward slightly to disengage from the rear screws and carefully lift over the Log Burner Brackets, Pilot and Cross Lighter.

Remove through the front of the appliance.

② Reflex 75T

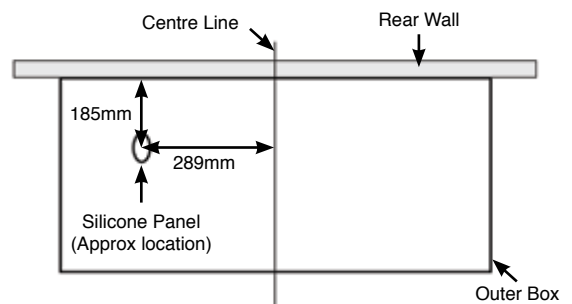


The gas supply enters through the Silicone Panel located on the left-hand side of the outer box base; this will need to be slit with a sharp knife prior to passing the supply pipe through.



The Isolation Elbow needs to be attached to the gas pipe before installation, see diagram for location.

④



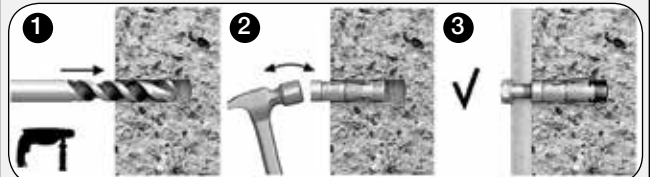
The appliance stands off the wall by 55mm. It will be necessary to build a studwork enclosure to house the mounting bracket and separate enclosures for the upper and lower faces of the appliance.



**WARNING: This appliance weighs 108Kg. The manufacturer has designed this appliance to attach to a masonry wall and all fixings supplied reflect this. If siting on a studwork wall, the fixing points must be through the timber stud and not plasterboard. Use appropriate fixings. DO NOT attach solely to a plasterboard wall.**



The fixings supplied for the Wall Mounted Kit are R-RBL Rawlbolts and should be fitted in the method described below.



Ensure a minimum substrate thickness of 100mm.

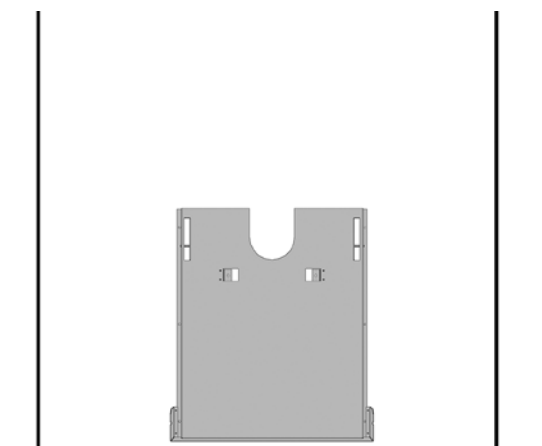
1. Drill a hole - Diameter: 14mm x Depth: 65mm.  
Note: When fixing into brickwork, mortar joints should be avoided  
Remove debris and thoroughly clean hole with brush and pump
2. Remove pre-assembled bolt and washer. Insert shield into hole and tap home with hammer until flush with surface
3. Insert bolt with washer through fixture into the shield  
Tighten to 15Nm torque.



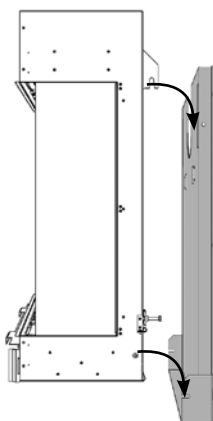
# INSTALLATION INSTRUCTIONS

Position the wall mounting bracket in the required location.

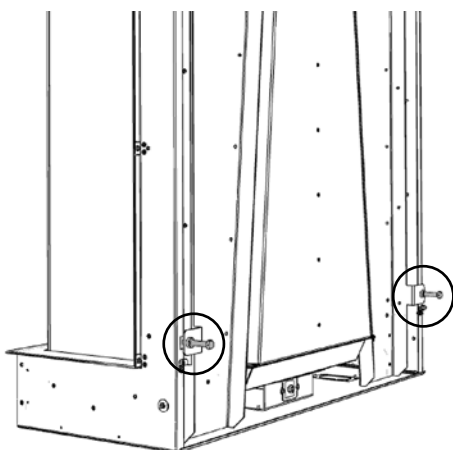
5



6

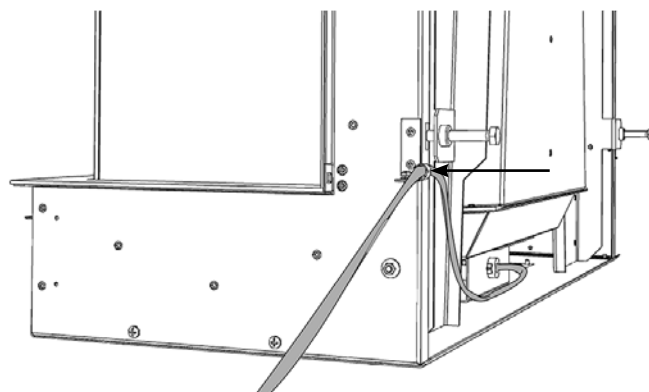


If required, use the two adjustment bolts at the rear of the appliance to alter the vertical position of the fire.



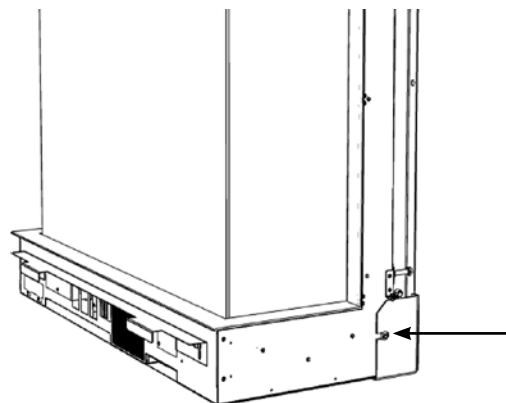
Wall Bracket removed for clarity

Run the mains power lead out of the rear of the appliance to either then left hand or right hand side.  
Fasten the lead with the P Clip.  
(Remove the clip and refit on the opposite side if required.)



Wall Bracket removed for clarity

Once satisfied with the position of the appliance, tighten the 2 nuts on either side of the fire.

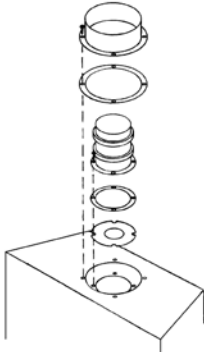


Fit the flue.

# INSTALLATION INSTRUCTIONS

## FLUE ASSEMBLY

**TAKE CARE WHEN MARKING OUT FOR THE FLUE AS IT IS DIFFICULT TO MOVE AFTER INSTALLATION. IF A RESTRICTOR IS REQUIRED FIT THIS BETWEEN THE SMALL OUTLET SPIGOT AND THE AIR DUCT. REFER TO TECHNICAL SPECIFICATIONS FOR RESTRICTOR SIZE.**



A 152mm (6") diameter hole in the wall is required to install the flue. This can be achieved by using either:

- a) Core drill
- b) Hammer and chisel

Drill small holes around the circumference when using method b). Make good both ends of the hole.

Allow enough room either above or to the side of the appliance to assemble the flue on top.

Assemble a horizontal flue in the following order:

- Vertical section
- 90° elbow
- Horizontal plus terminal

Only the horizontal terminal section can be reduced in size.

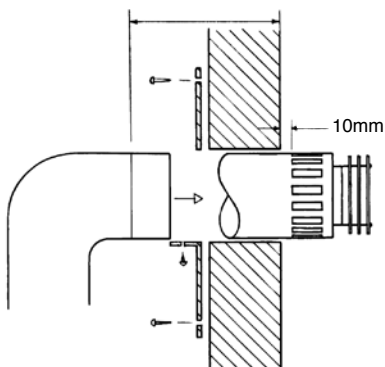
To find the length:

Measure from the outside of the wall to the stop on the 90° elbow.

**Add 10mm to the outlet end.**

Measure from the edge of the slots closest to the wall.

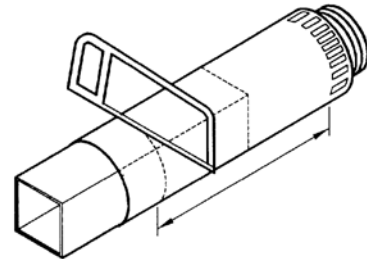
Mark around the flue.



Bend the tab to 90°.

Assemble the plate onto the flue but do not secure to wall until the flue is fully assembled.

The cardboard fitment in the terminal is used to support the flue whilst it is cut to length. **ONCE CUT TO SIZE REMOVE THE CARDBOARD REMNANT.**

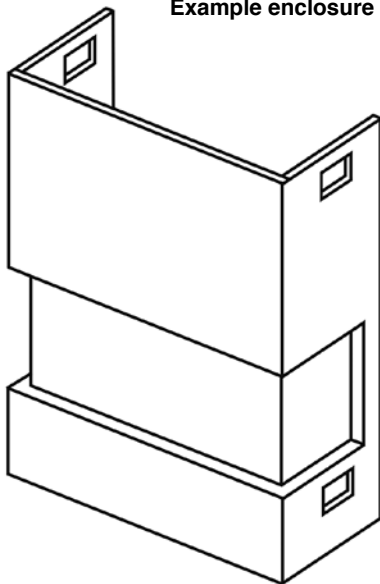


# INSTALLATION INSTRUCTIONS

## ENCLOSURE CONSTRUCTION

### 3 SIDED INSTALLATION

Example enclosure



#### VENTILATION

**Note:** If the lower section of the enclosure is sealed (to the floor or capped if designed as a floating shelf) it will be necessary to provide a vent with a cut size of 300cm<sup>2</sup> on each side.

If the upper section is sealed (to the ceiling or capped if designed as a floating shelf) it will be necessary to provide a vent with a cut size of 300cm<sup>2</sup> on each side.

Gazco recommend building the enclosure from the following materials:

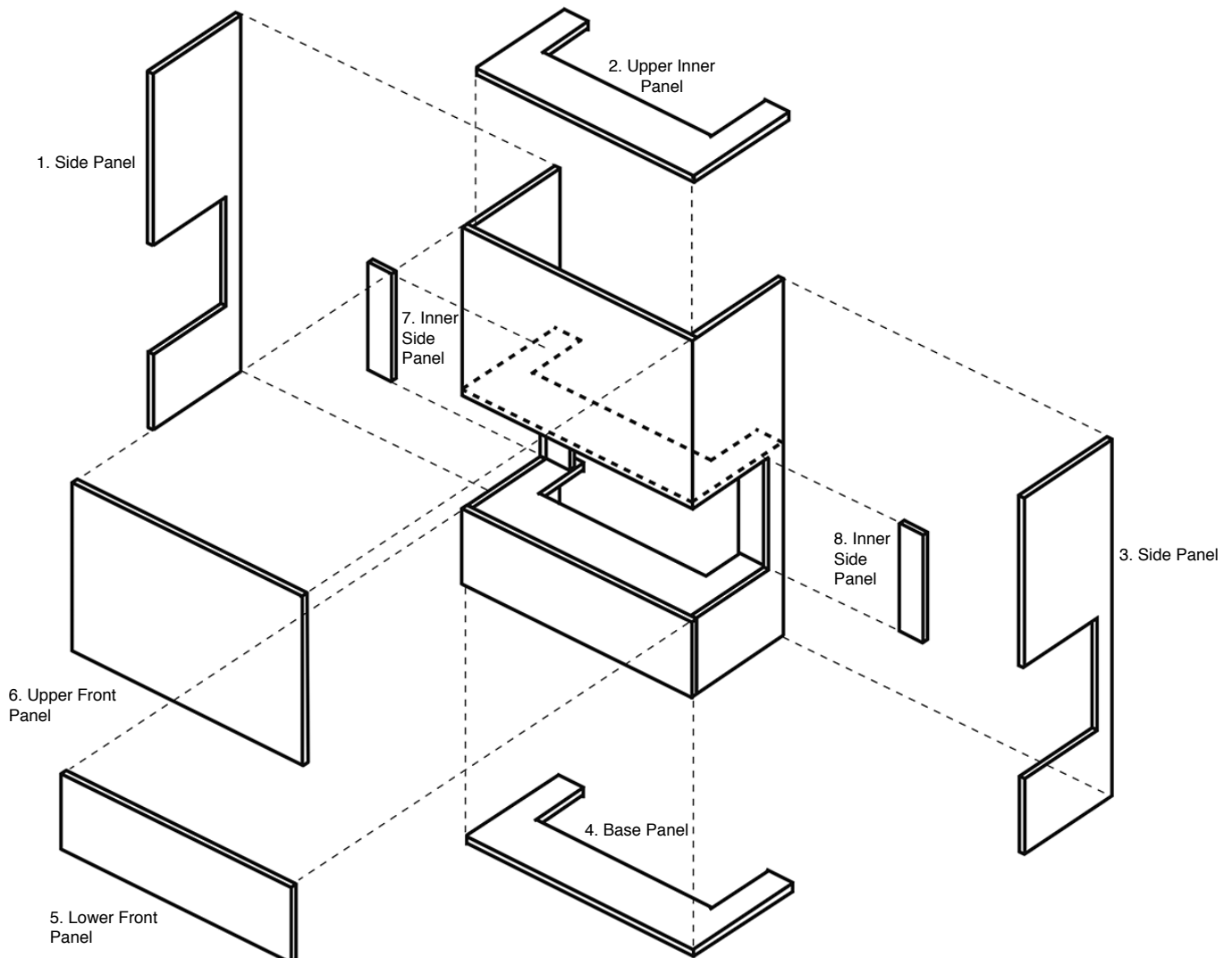
Metal Studwork

Non-combustible board:

Masterboard or Promafour - NOT PINK BOARD

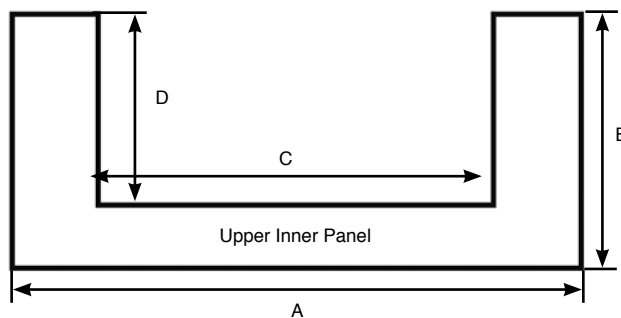
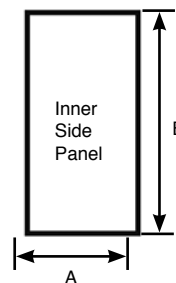
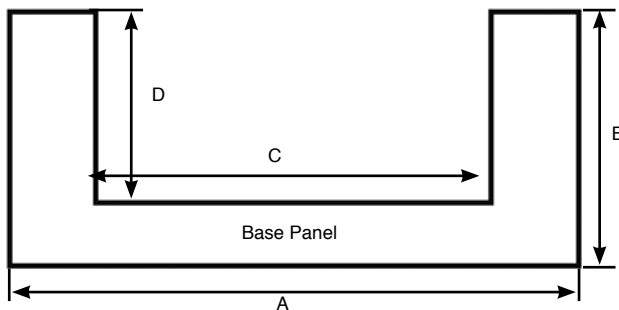
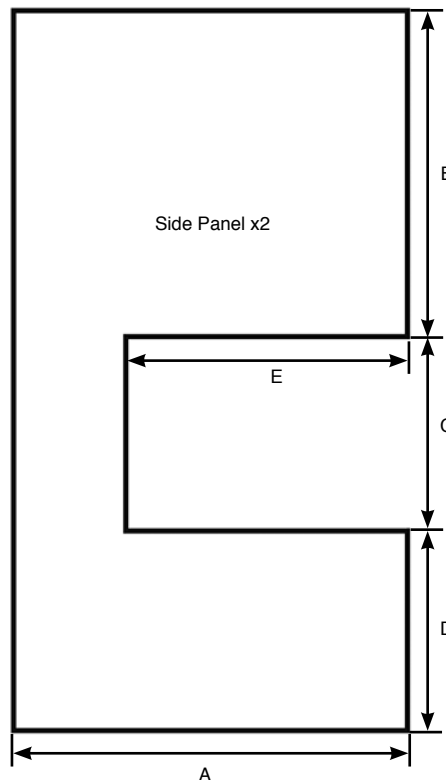
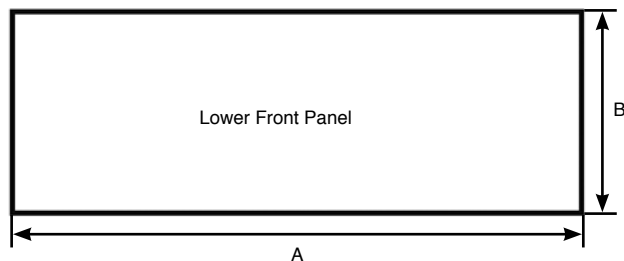
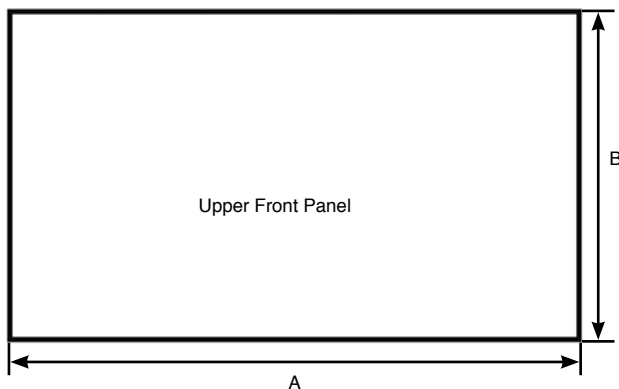
Heat Resistant Plaster: Purimacho (any spider cracks that develop after installation will need to be rubbed down and refilled with Purimacho heat resistant filler to stabilise).

Ensure all distances to combustible materials are maintained



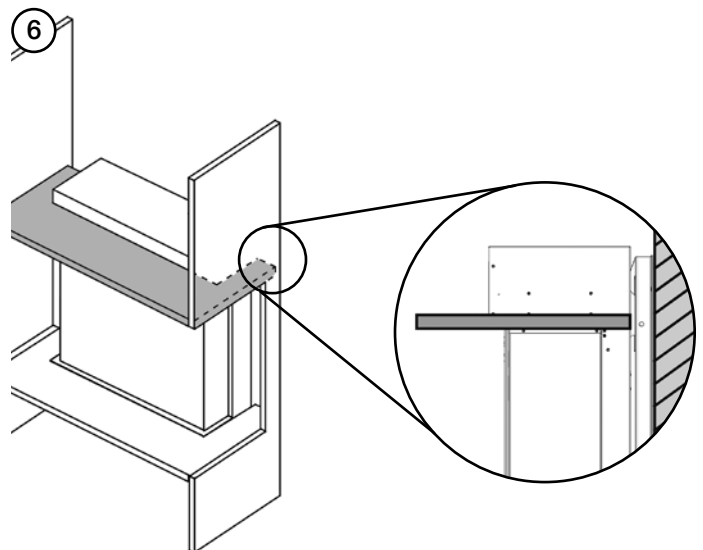
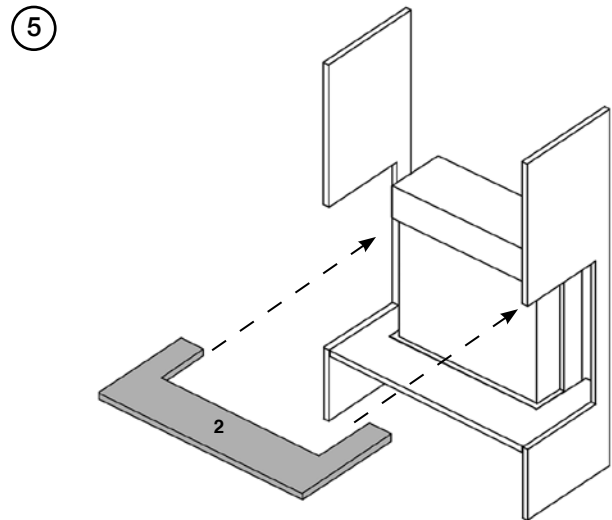
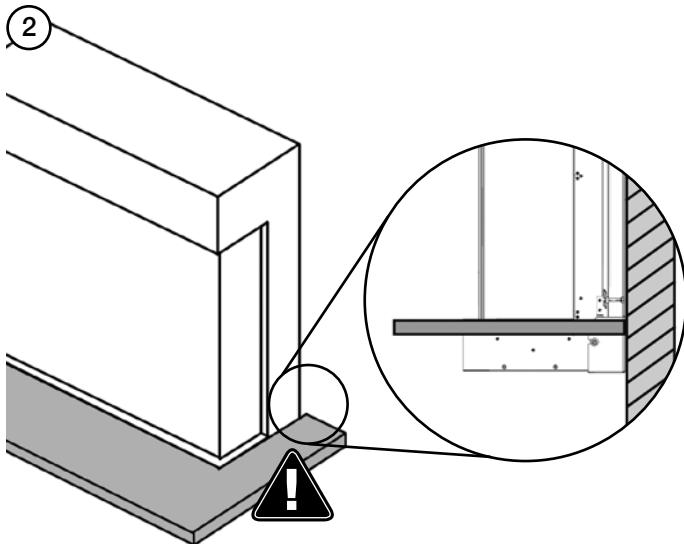
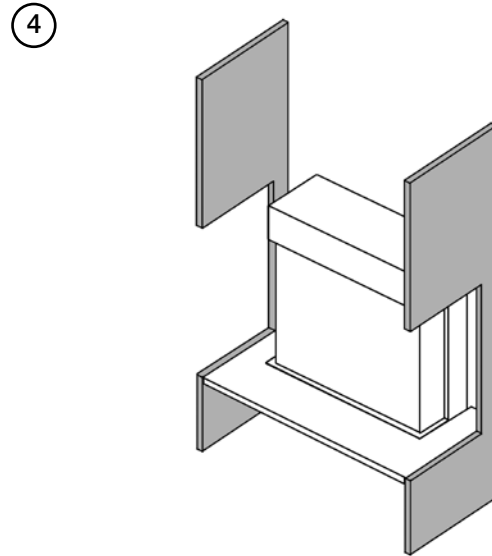
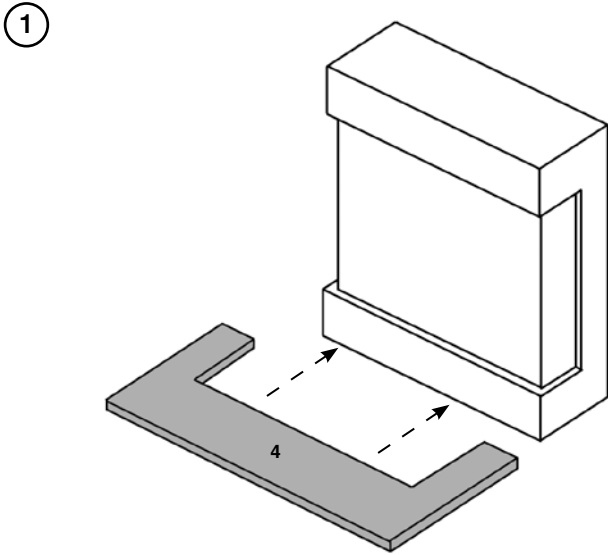
# INSTALLATION INSTRUCTIONS

## 3 SIDED INSTALLATION CUTTING TEMPLATES

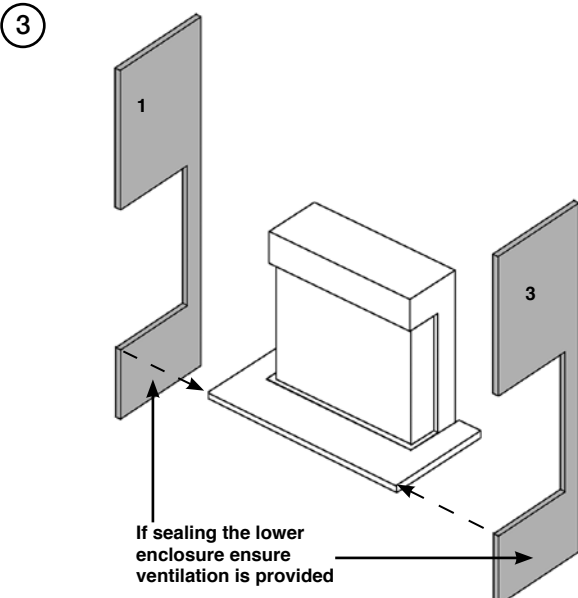


Panel	A (min)		B (Min)		C		D (Min)		E (Min)	
	Floor Mounted	Wall Mounted	Floor Mounted	Wall Mounted	Floor Mounted	Wall Mounted	Floor Mounted	Wall Mounted	Floor Mounted	Wall Mounted
Upper Front Panel	1233mm	993mm	900mm		-		-		-	
Side Panel	479mm		900mm		700mm		138mm	370mm	332mm	
Lower Front Panel	1233mm	993mm	138mm	370mm	-		-		-	
Base Panel	1233mm	993mm	447mm		893mm		447mm		-	
Inner Side Panel	170mm	50mm	700mm		-		-		-	
Upper Inner Panel	1233mm	993mm	332mm		893mm		320mm		-	

# INSTALLATION INSTRUCTIONS



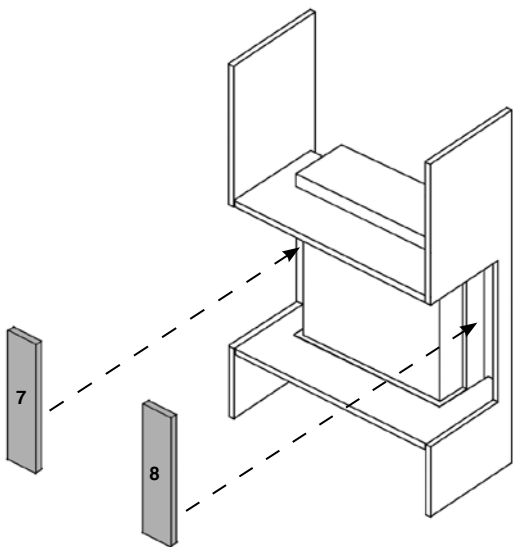
**IMPORTANT: THE BASE PANEL MUST SEAL COMPLETELY TO THE SUPPORTING WALL.**



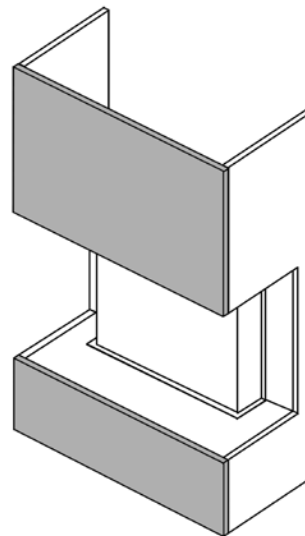
**NOTE: IT IS NOT NECESSARY TO SEAL THE UPPER ENCLOSURE BACK TO THE SUPPORTING WALL.**

# INSTALLATION INSTRUCTIONS

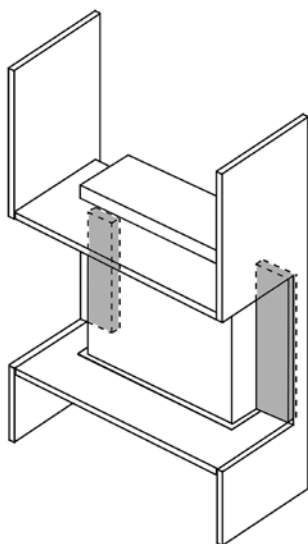
7



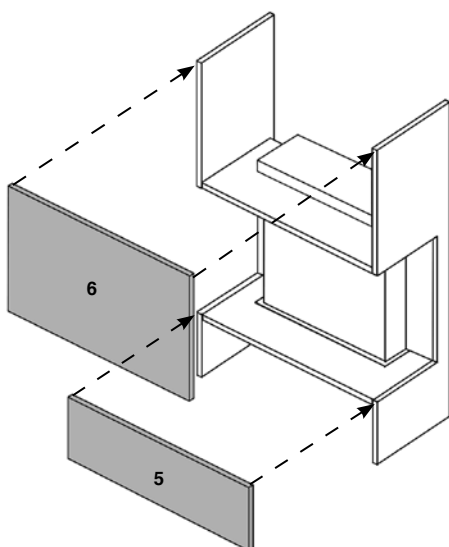
10



8



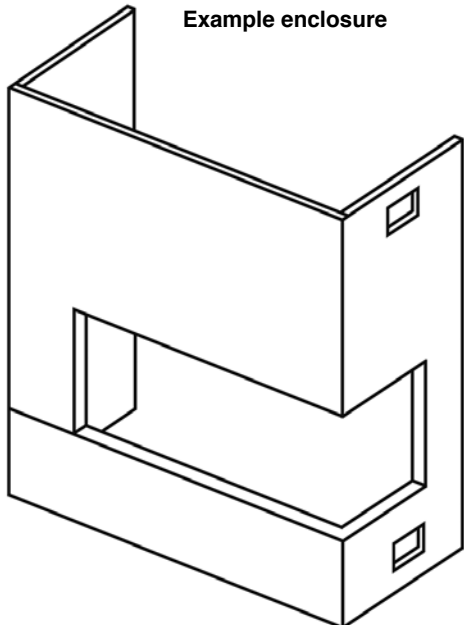
9



# INSTALLATION INSTRUCTIONS

## ENCLOSURE CONSTRUCTION

### 2 SIDED INSTALLATION



#### VENTILATION



**Note:** If the lower section of the enclosure is sealed (to the floor or capped if designed as a floating shelf) it will be necessary to provide a vent with a cut size of 300cm<sup>2</sup> on each side.

If the upper section is sealed (to the ceiling or capped if designed as a floating shelf) it will be necessary to provide a vent with a cut size of 300cm<sup>2</sup> on each side.

Gazco recommend building the enclosure from the following materials:

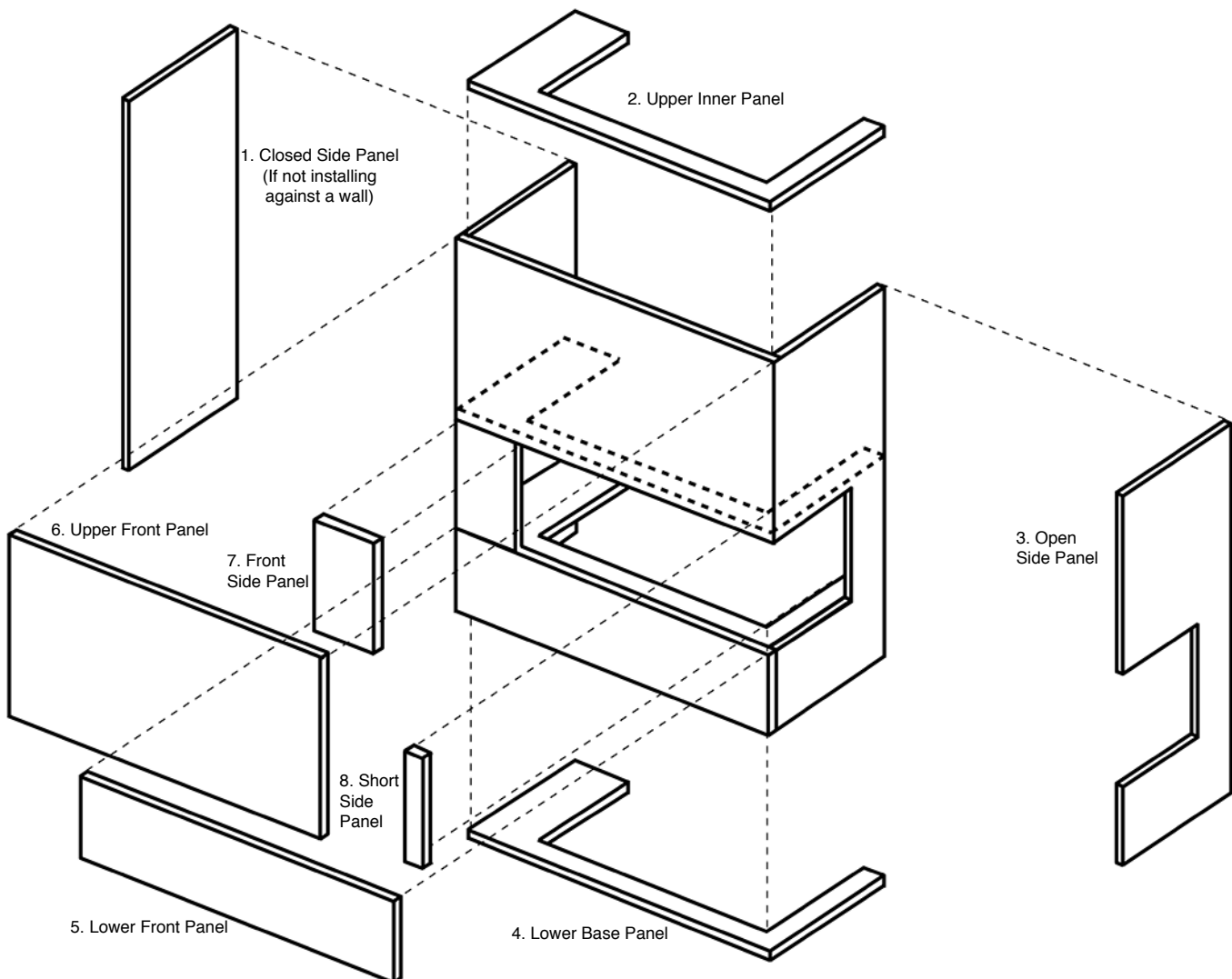
Metal Studwork

Non-combustible board:

Masterboard or Promafour - NOT PINK BOARD

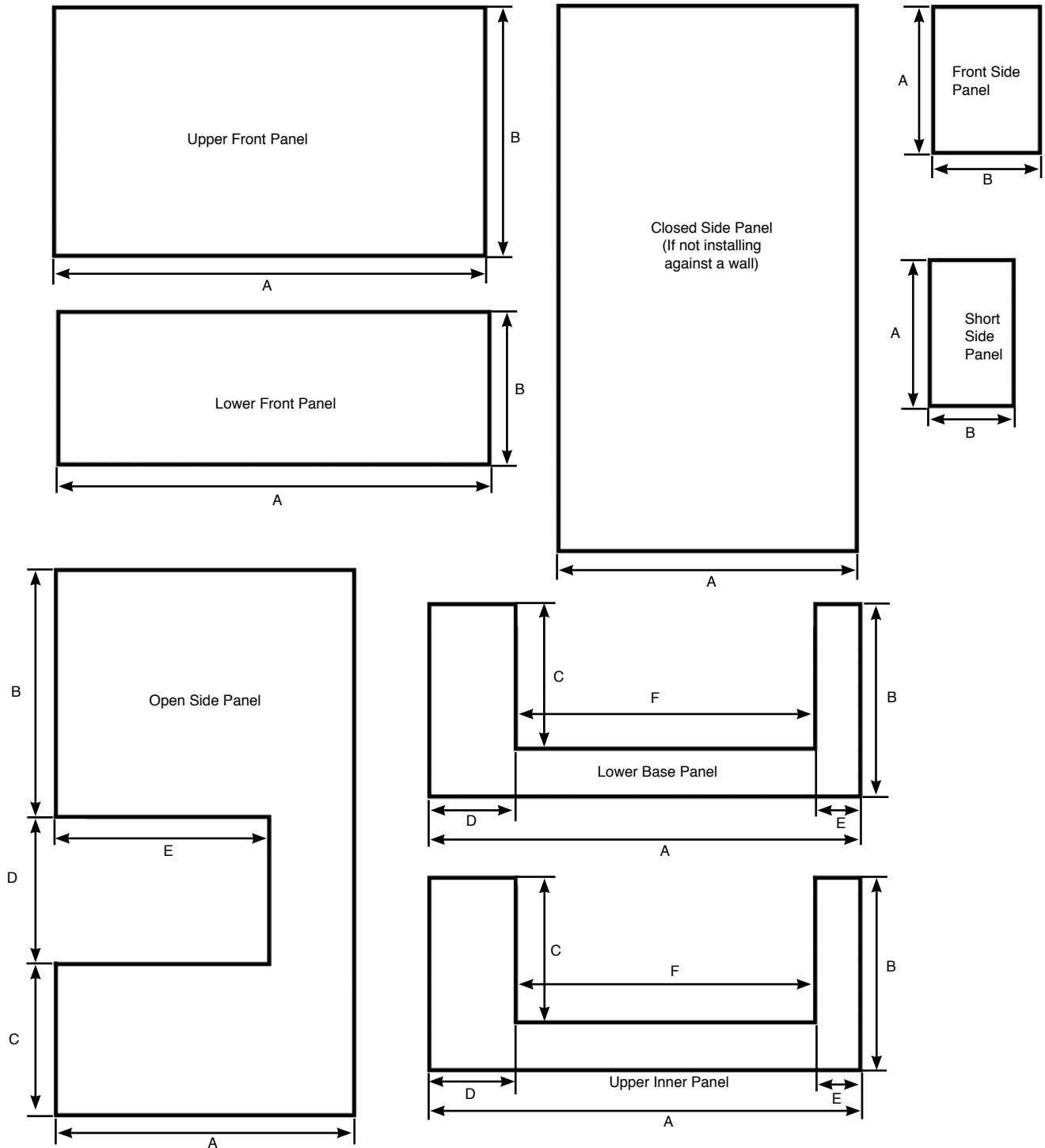
Heat Resistant Plaster: Purimacho (any spider cracks that develop after installation will need to be rubbed down and refilled with Purimacho heat resistant filler to stabilise).

Ensure all distances to combustible materials are maintained



# INSTALLATION INSTRUCTIONS

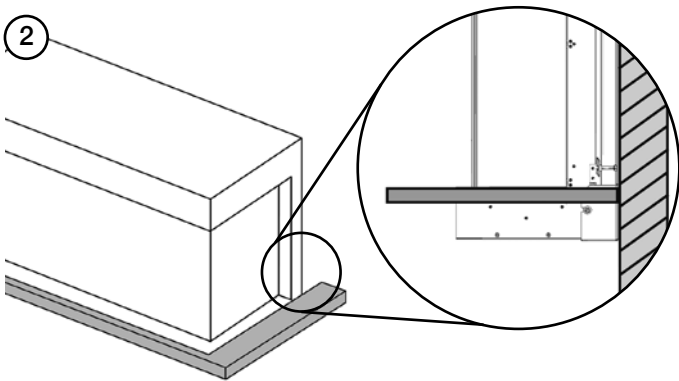
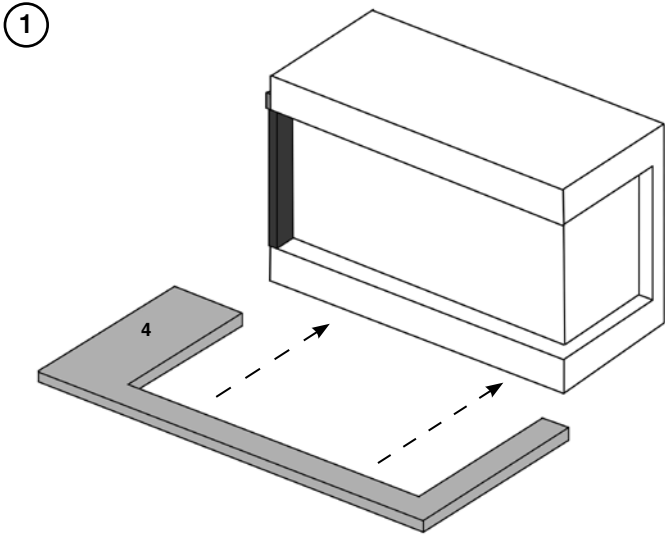
## 2 SIDED INSTALLATION CUTTING TEMPLATES



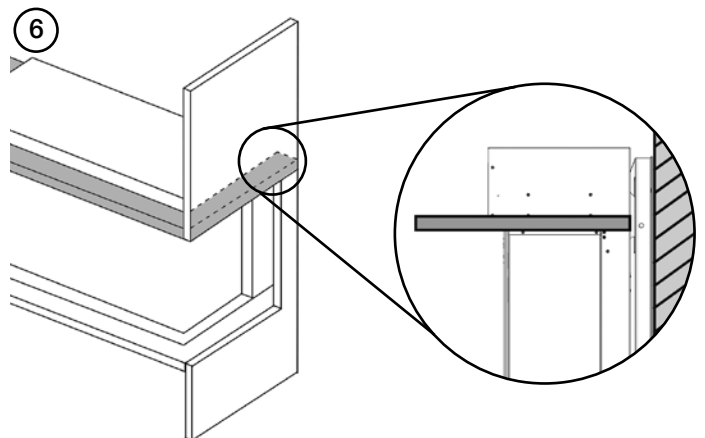
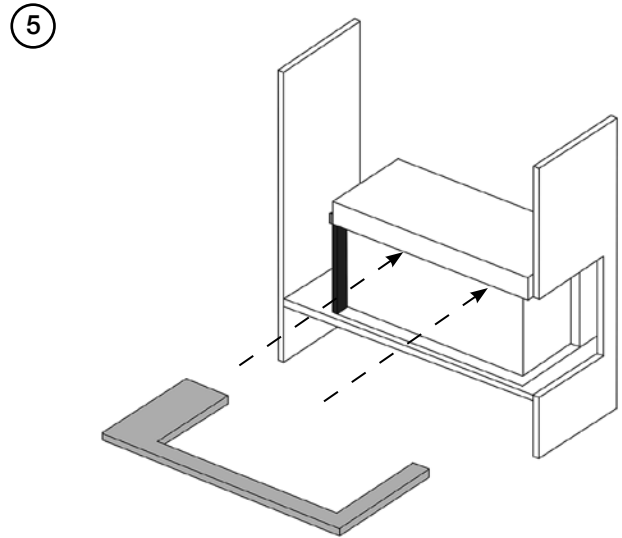
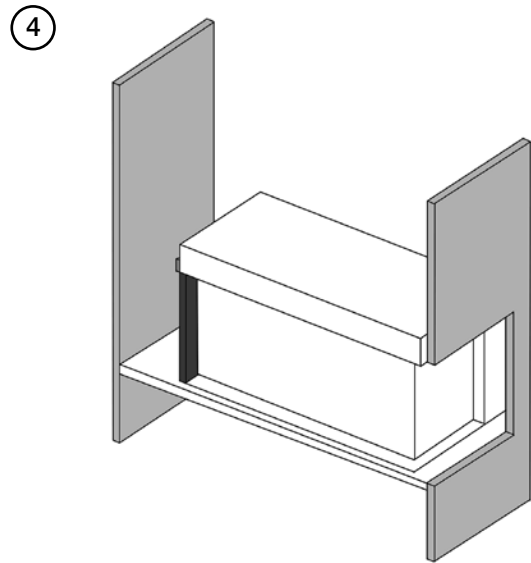
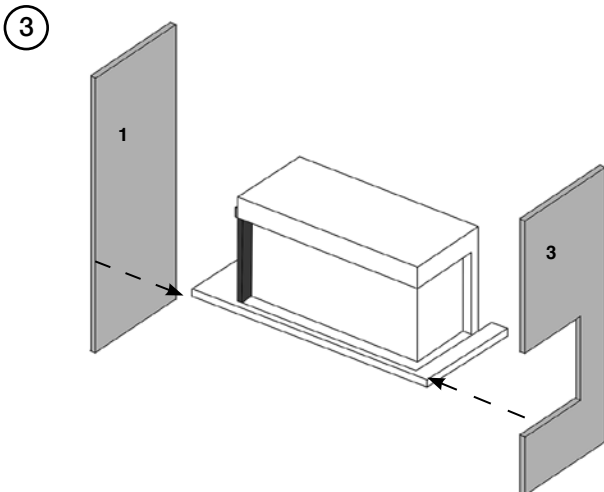
Panel	A (Min)		B (Min)		C (Min)		D		E		F	
	Floor Mounted	Wall Mounted	Floor Mounted	Wall Mounted	Floor Mounted	Wall Mounted	Floor Mounted	Wall Mounted	Floor Mounted	Wall Mounted	Floor Mounted	Wall Mounted
Upper Front Panel	1120mm		900mm		-		-		-		-	
Open Side Panel	447mm		900mm		138mm	370mm	700mm		320mm		-	
Closed Side Panel (If not installing against a wall)	447mm		1738mm	1978mm	-		-		-		-	
Lower Front Panel	1120mm		138mm	370mm	-		-		-		-	
Lower Base Panel	1120mm		447mm		320mm		170mm		50mm		900mm	
Front Side Panel	700mm		170mm		-		-		-		-	
Upper Inner Panel	1120mm		354mm		320mm		170mm		50mm		900mm	
Short Side Panel	700mm		50mm		-		-		-		-	



# INSTALLATION INSTRUCTIONS

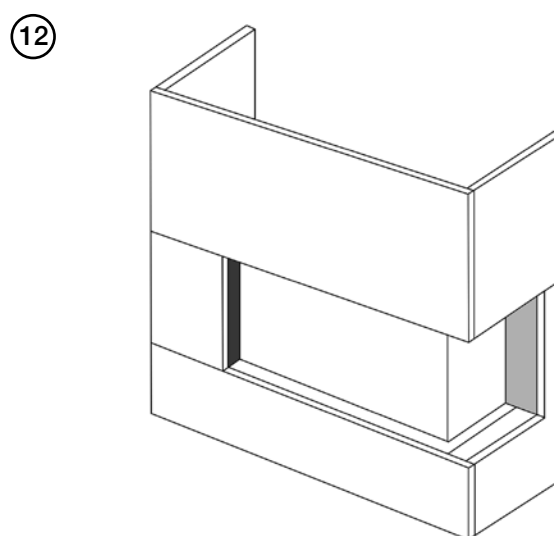
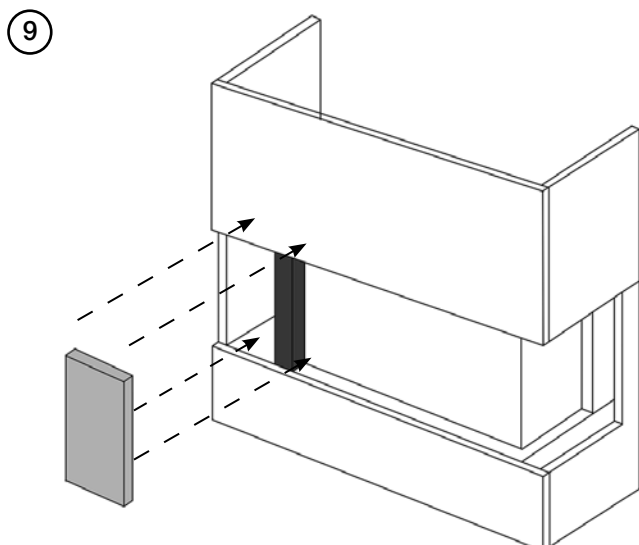
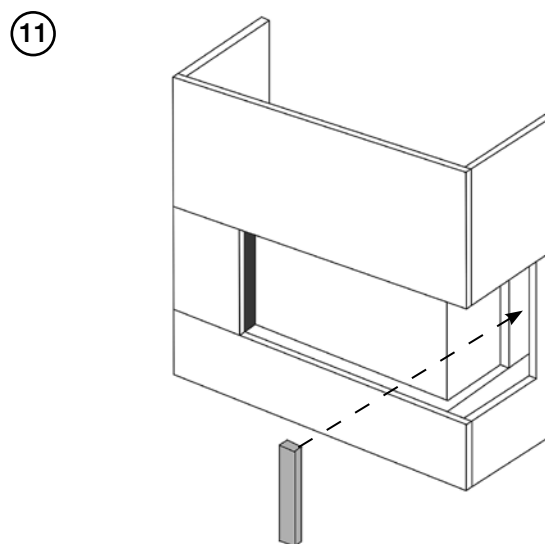
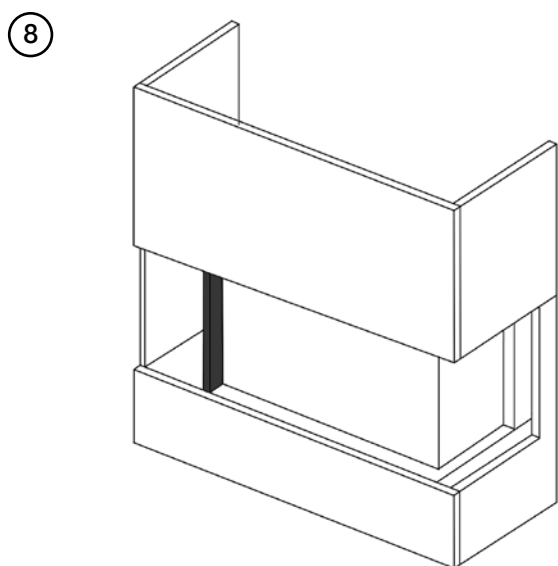
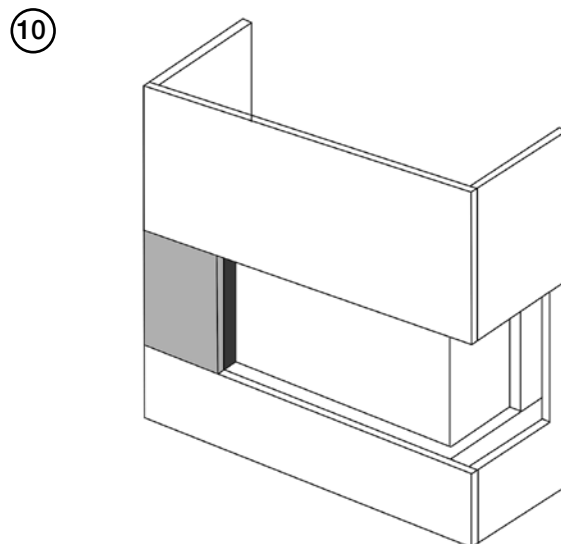
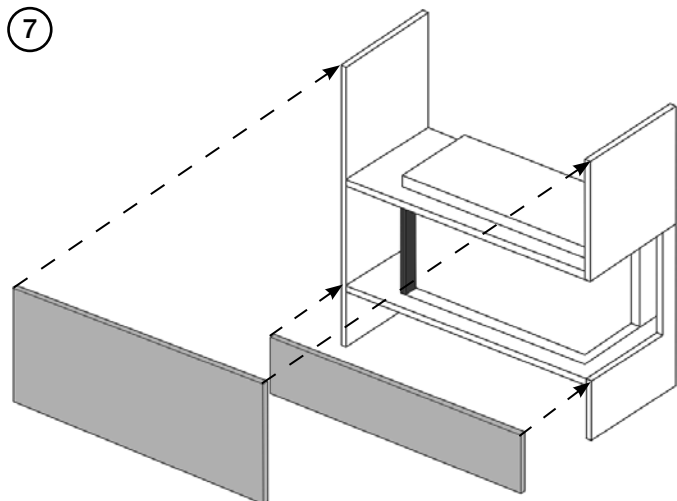


**!** IMPORTANT: THE BASE PANEL MUST SEAL COMPLETELY TO THE SUPPORTING WALL.



**i** NOTE: IT IS NOT NECESSARY TO SEAL THE UPPER ENCLOSURE BACK TO THE SUPPORTING WALL.

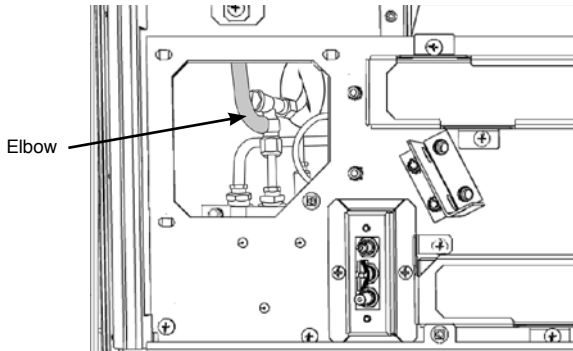
# INSTALLATION INSTRUCTIONS



# INSTALLATION INSTRUCTIONS

## GAS SOUNDNESS PRESSURE CHECK

Connect a suitable pressure gauge to the test point located on the inlet fitting. Turn the gas supply on.



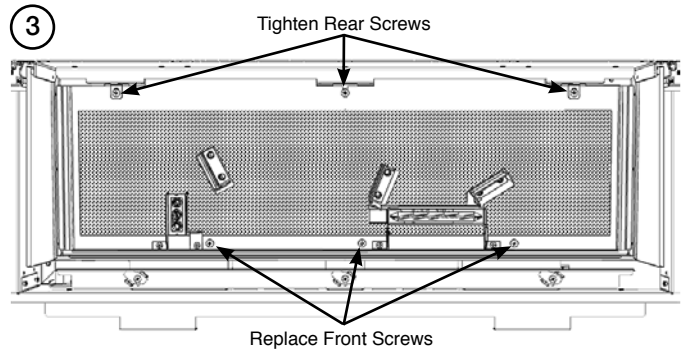
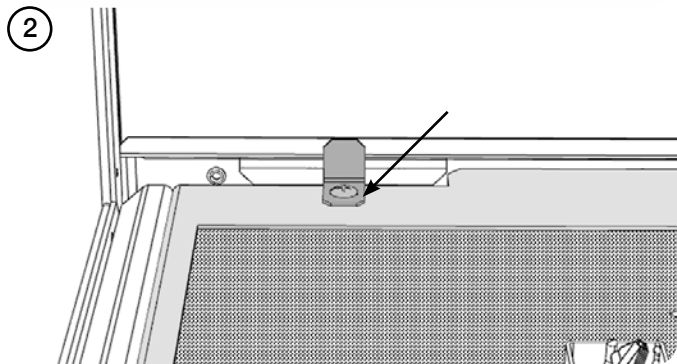
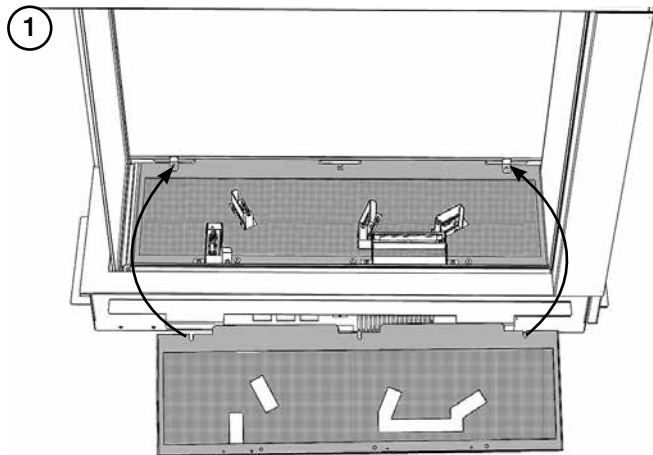
Remove the fixing screws and loosely place the appropriate burners onto the injectors.

Light the appliance and check all gas joints for possible leaks. Turn the appliance to maximum and check that the supply pressure is as stated on the databadge. Turn the appliance off. Replace the test point screw and check the test point for leaks.

Remove the burners. Take care as the burners will be hot.

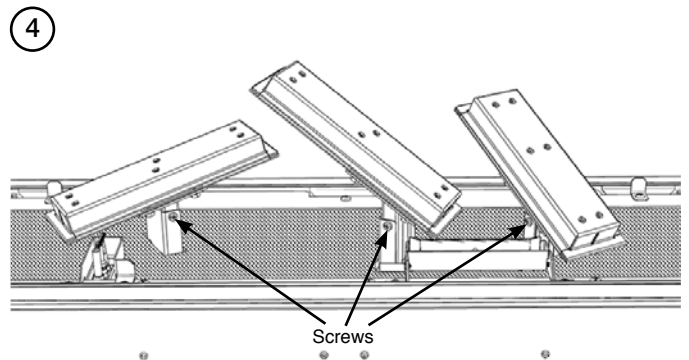
Replace the access panel, securing with the 4 screws.

## ASSEMBLING THE FUEL BED



**NOTE: Ensure the 2 brackets at the rear are pushed as far back as possible before tightening.**

Position the left hand Log Burner so that the right hand side is angled up towards the centre of the firebox and the screw hole is positioned at the front.



Position the right hand Log Burner so that the left hand side is angled up towards the centre of the firebox and the screw hole is positioned at the front.

**NOTE: THIS BURNER IS SHORTER THAN THE OTHER TWO.**

Position the centre Log Burner, so that the screw hole is positioned at the front.

**Only Secure the burners with the screws provided.**

# INSTALLATION INSTRUCTIONS

## ARRANGEMENT OF FUEL BED COMPONENTS

## ADVICE ON HANDLING AND DISPOSAL OF FIRE CERAMICS



The fuel effect and side panels in this appliance are made from Refractory Ceramic Fibre (RCF), a material which is commonly used for this application.

Protective clothing is not required when handling these articles, but we recommend you follow normal hygiene rules of not smoking, eating or drinking in the work area and always wash your hands before eating or drinking.

To ensure that the release of RCF fibres are kept to a minimum, during installation and servicing a HEPA filtered vacuum is recommended to remove any dust accumulated in and around the appliance before and after working on it. When servicing the appliance it is recommended that the replaced items are not broken up, but are sealed within heavy duty polythene bags and labelled as RCF waste.

RCF waste is classed as stable, non-reactive hazardous waste and may be disposed of at a licensed landfill site.

Excessive exposure to these materials may cause temporary irritation to eyes, skin and respiratory tract; wash hands thoroughly after handling the material.

**TAKE CARE NOT TO SPILL THE FUEL EFFECT INTO THE PILOT AREA.**

**ONLY GENUINE GAZCO PARTS CAN BE USED IN THIS APPLIANCE.**

Use the entire bag of supplied Amber Effect.

The Shale Effect is supplied as large pieces which will need to be broken into 2-3 smaller shards before placing onto the fuel bed. It is not necessary to use all the supplied Shale Effect.

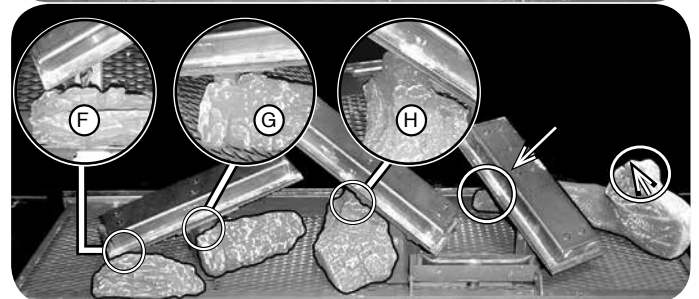
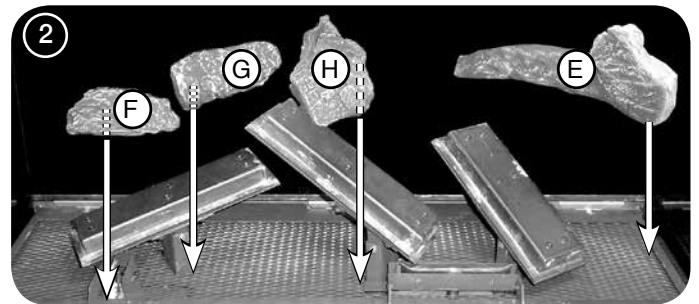
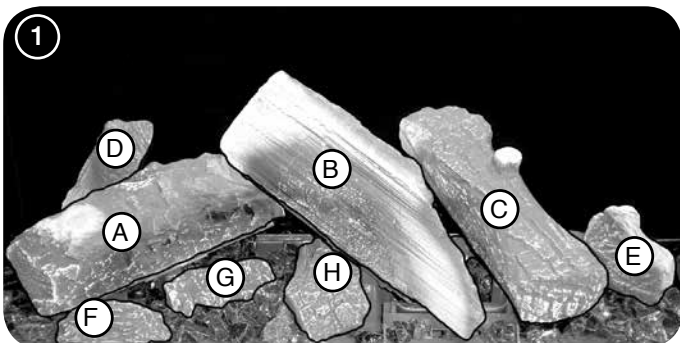
## LOG LAYOUT

**LOGS MUST BE POSITIONED ACCORDING TO THE FOLLOWING INSTRUCTIONS TO GIVE THE CORRECT FLAME EFFECT.**

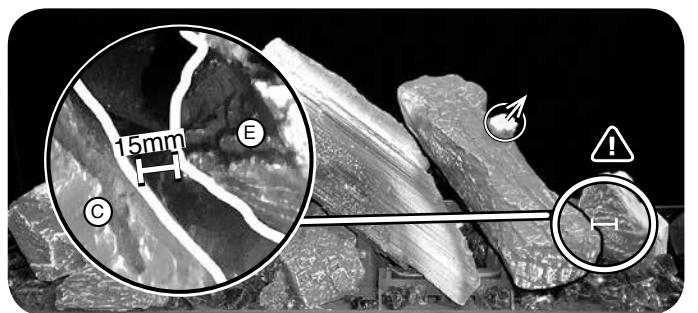
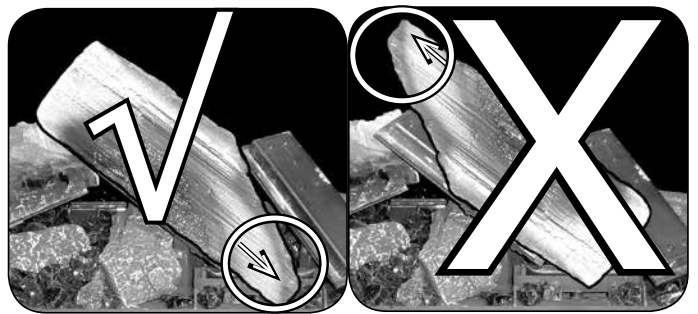
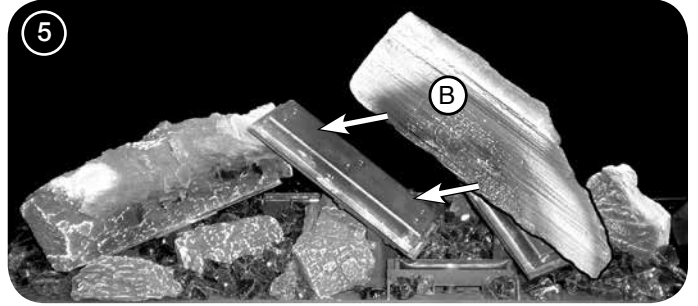
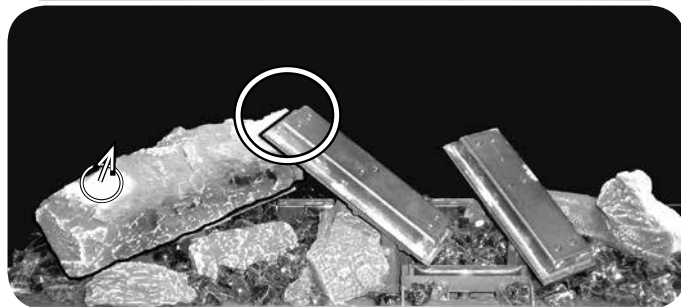
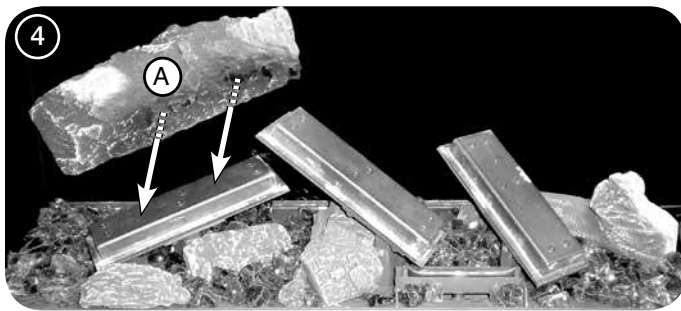
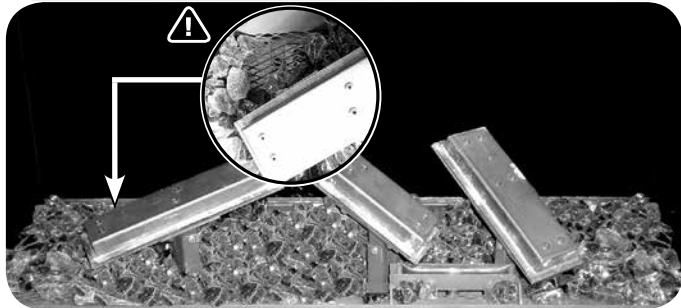
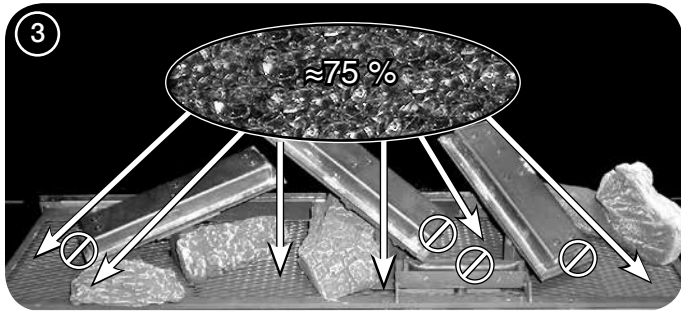
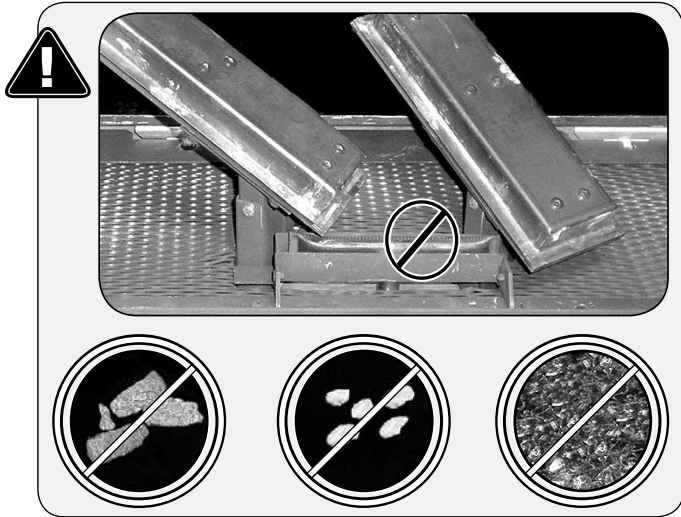
**THE 3 BURNER LOGS MUST LOCATE CORRECTLY ONTO THE LOG BURNERS. ENSURE THE AMBER EFFECT DOES NOT CAUSE THE LOGS TO LIFT OFF THE BURNER.**

Ensure the Burner Tray and Log Burners are clean and free from any debris.

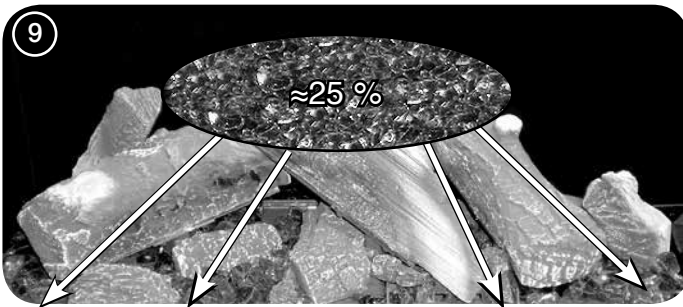
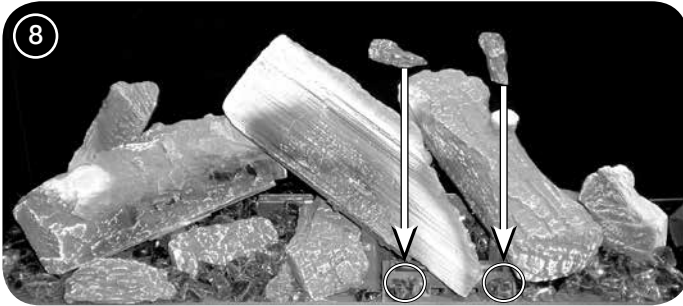
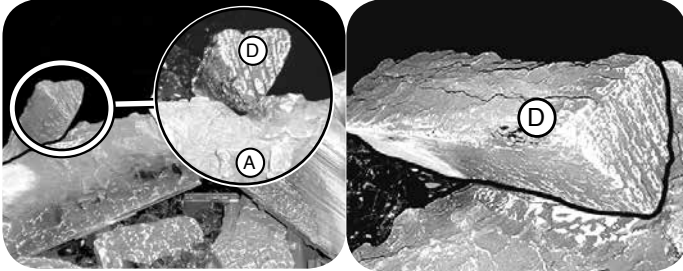
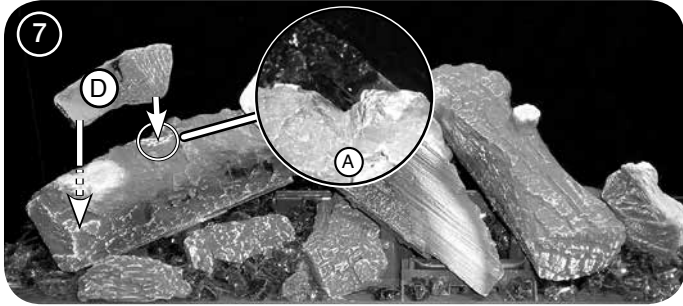
The main components are clearly individually labelled.



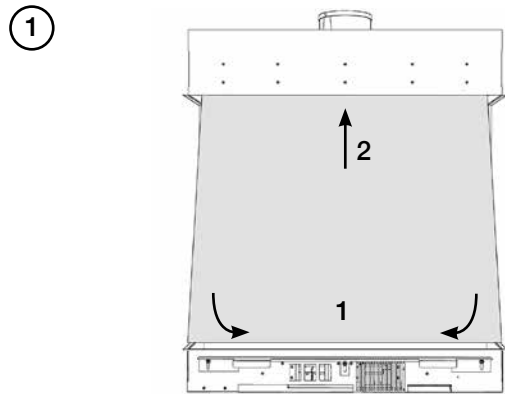
# INSTALLATION INSTRUCTIONS



# INSTALLATION INSTRUCTIONS

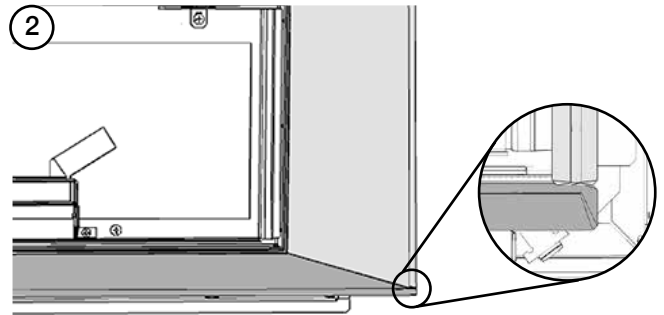


## COMPLETION OF ASSEMBLY

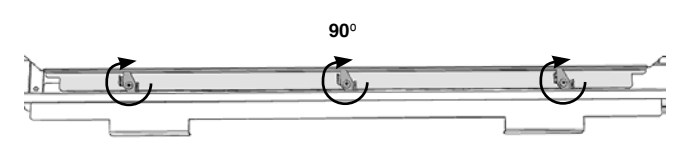
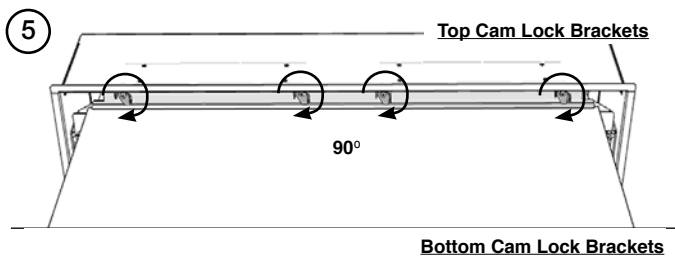
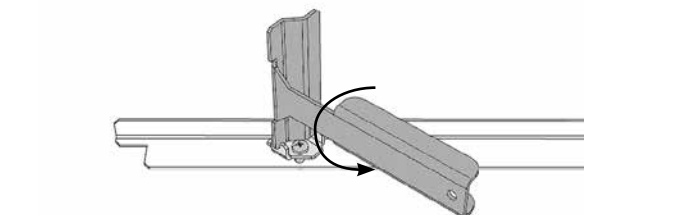
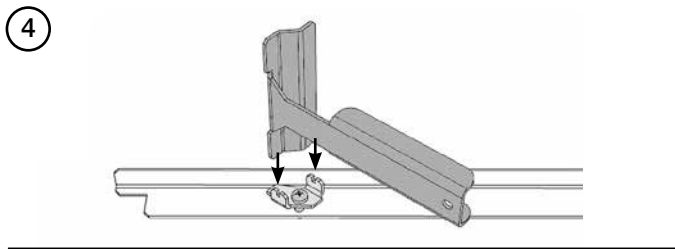
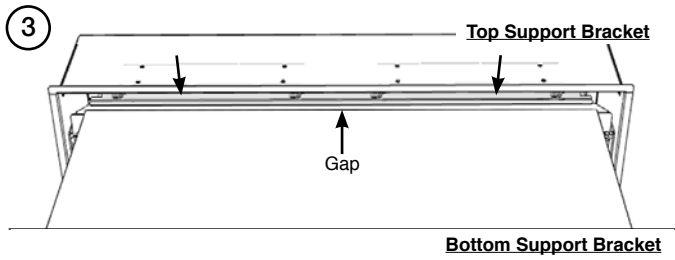



**! THE FRONT GLASS SHOULD PRESS FIRMLY AGAINST THE SIDE GLASS**

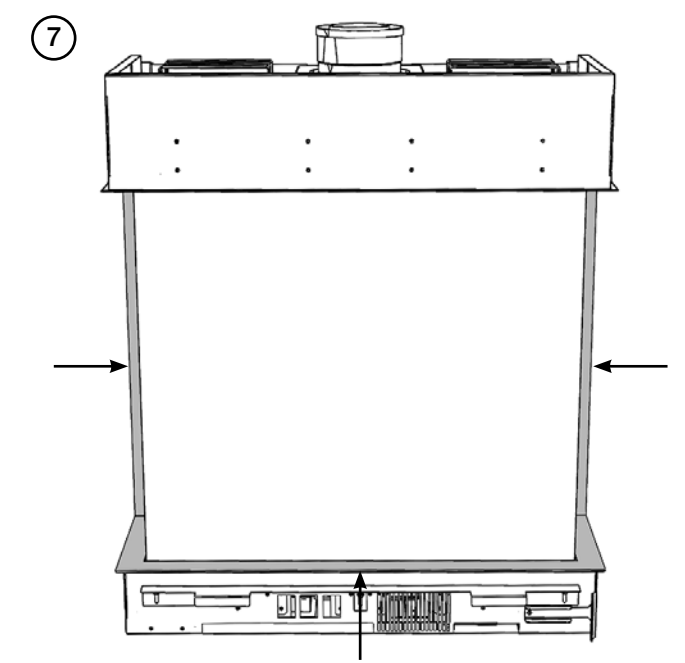
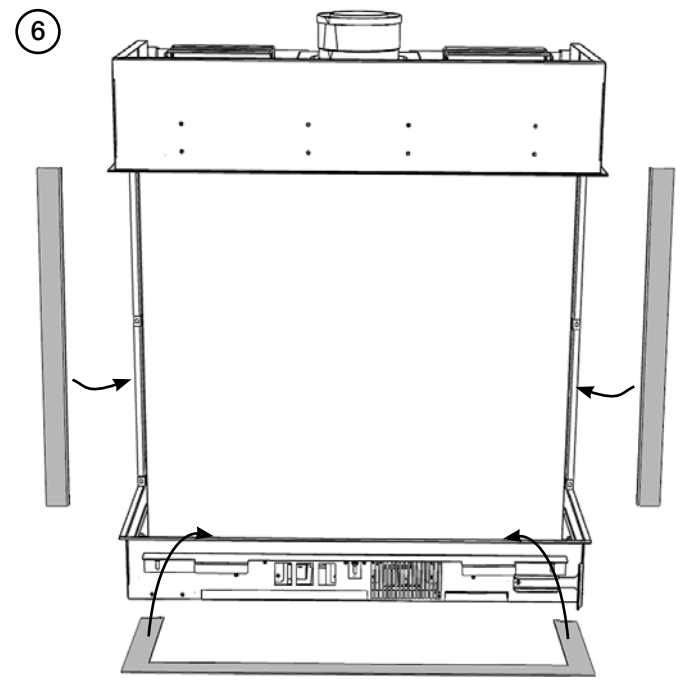
Check the alignment of all the glass panels to ensure the Front Glass and Side Glass all sit flush to one another.



# INSTALLATION INSTRUCTIONS



 **UNDER NO CIRCUMSTANCES SHOULD THE APPLIANCE BE USED IF ANY OF THE GLASS PANELS ARE LOOSE, DAMAGED, OR MISSING.**



**ENSURE THAT ALL GLASS PANELS ARE FLUSH AND THAT THERE ARE NO GAPS BETWEEN PANELS.**

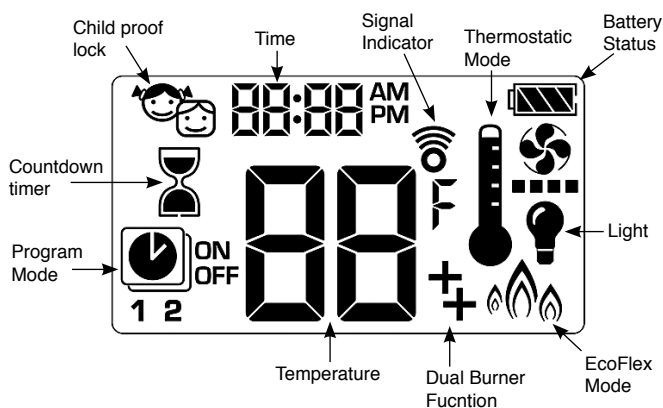
# INSTALLATION INSTRUCTIONS

## LIGHTING THE APPLIANCE

The appliance is operated by thermostatic and programmable remote control.




Via the remote it is possible to control the following features:





## TURNING THE APPLIANCE ON

The handset controls the appliance from pilot ignition through to shut down.


To turn the fire on press the  button until two short signals and a series of blinking lines on the handset confirm the start of the ignition sequence and there will be a clicking sound as the valve opens on the appliance.

**The pilot will ignite and the remote is now in Manual Mode. The first time the appliance is turned on it will light in the High position.**

 **IMPORTANT: YELLOW FLAMES TYPICALLY APPEAR WHEN THE APPLIANCE HAS REACHED NORMAL OPERATING TEMPERATURE. THIS CAN TAKE UP TO 30 MINUTES.**

 **WARNING: IF THE APPLIANCE FAILS TO LIGHT OR BECOMES EXTINGUISHED IN USE, WAIT 3 MINUTES BEFORE ATTEMPTING TO RELIGHT.**

## TURNING THE APPLIANCE OFF (STANDBY)

Press and hold the  button to turn the appliance off.

NOTE: There is a 5 second delay before the next ignition is possible.

## TROUBLESHOOTING



**IMPORTANT: In the unlikely event that the handset fails to communicate correctly with the appliance it may be necessary to turn off the gas supply at the isolation valve until any problems can be resolved.**

The gas meter and isolation valve can be located outside in a meter box, under the stairs, beneath the kitchen sink or in the garage. Whilst this list is not exhaustive, it is important to be able to identify the location of the valve in case of any gas emergency.

To turn off the gas supply, simply turn the handle so the lever is at 90 degrees to the upright gas pipe.

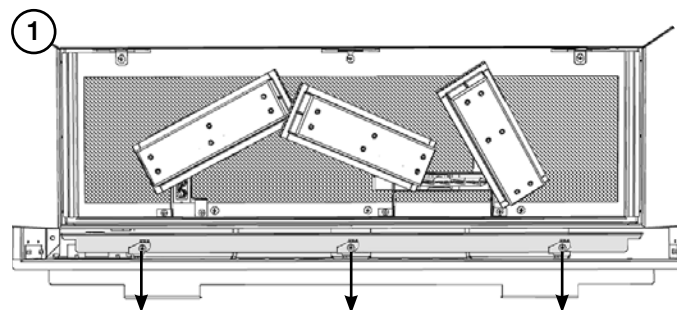
If you smell gas, open doors and windows and never operate any electrical switches. Immediately call the Gas Emergency Services on 0800 111 999.

## MYFIRE WI-FI INSTALLATION

**BEFORE UNDERTAKING ANY WORK SWITCH OFF THE APPLIANCE AND ISOLATE THE POWER SUPPLY ENSURING THERE IS NO POWER TO THE APPLIANCE.**

Remove the Front Glass.

Remove the 3 screws securing the Cam Lock Brackets and the Glass Support bracket.

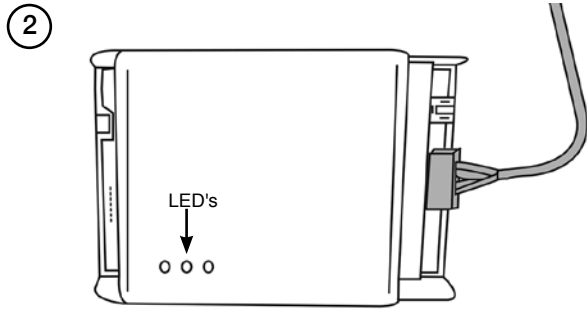


Lift the brackets away from the appliance.

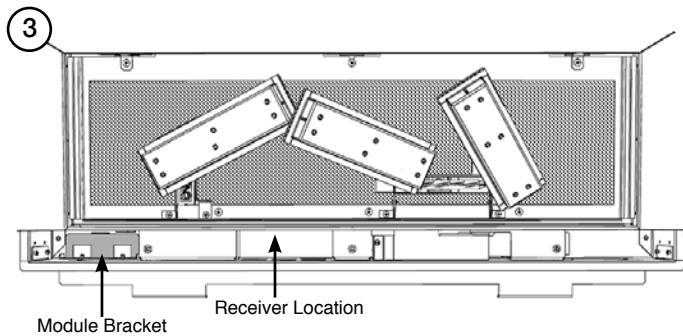


# INSTALLATION INSTRUCTIONS

Connect the module lead to the Wi-Fi module.



Position the Wi-Fi module in the Wi-Fi module bracket.

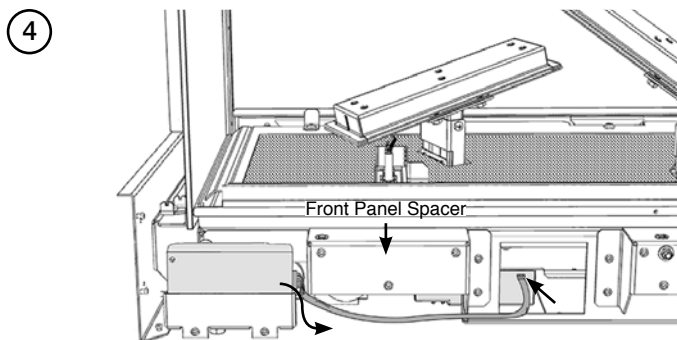


The receiver is located beneath the Main Control Assembly, close to the pilot area.

Using long nose pliers connect the other end of the module lead to the receiver.

**Note: Do not force the connector into position, ensure the connector is at the correct orientation before inserting.**

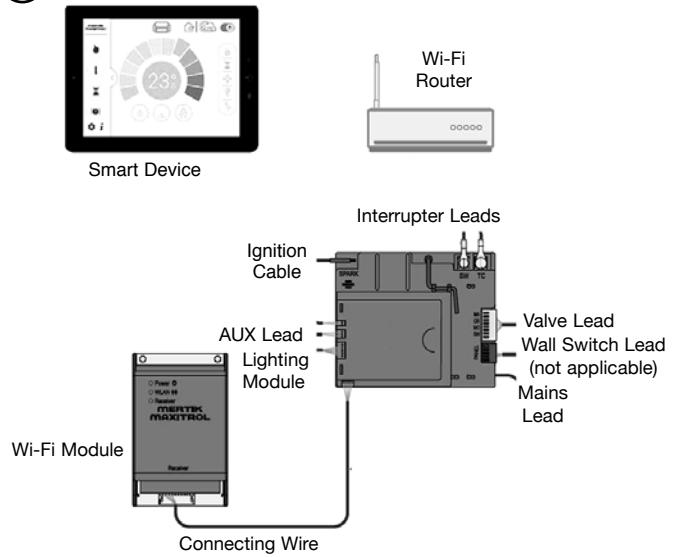
Ensure the module lead runs **underneath** the front panel spacer.



Front Panel removed for clarity

This should complete the wiring circuit as shown.

5



**NOTE: Ensure none of the wires are snagged or caught on any internal components.**

Follow the steps listed in the MyFire App Setup manual PR2467 to connect a smart device to the fire.

Replace the Front Glass, Cam Lock Brackets, Glass Support Bracket, and trims.

ENSURE THAT THE GLASS BRACKETS ARE SECURE AND IN THE ORIGINAL ORIENTATION.

The installation is now complete.



Once the Wi-Fi module has been installed and connected to a power source there is a 24 hour window to complete the setup process on the MyFire app.

If setup is not completed in this window the Wi-Fi module will have to be manually reset to complete setup, see Page 34 & PR2467 MyFire App Setup.

Once fitted, remove the trims to access the Wi-Fi module.

# INSTALLATION INSTRUCTIONS

## MYFIRE WI-FI SET UP & TROUBLESHOOTING

The MyFire Wi-Fi box must be wired according to the MyFire set up diagram and connected to the receiver, which is in turn connected to the mains power.

Ensure the device is running the most up to date operating system as older models may not be compatible with the MyFire App.

After 30 seconds the MyFire Box goes into Access Point Mode (Green LED flashes). See MyFire App instructions supplied and configure the router.

The following things can affect the Wi-Fi signal on the appliance:

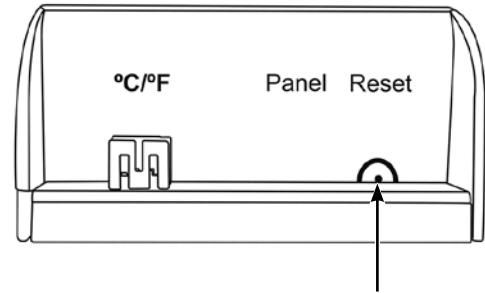
1. Multiple users on the same Wi-Fi channel may interfere with the data transfer. Press the reset button on the MyFire Wi-Fi box for 1 second to change the current channel.
2. If the MyFire Wi-Fi box is not connected to the receiver or is not used it will leave Access Point Mode after 24 hours.
3. If there are multiple fireplaces in the household using MyFire Wi-Fi boxes there must be a minimum of 600mm between them to avoid interference.
4. If there are any changes to the home network then the MyFire Wi-Fi set up must be repeated.

Quick Reference Table.

LED Indicator for MyFire Wi-Fi box			
Label	LED		Status
Power	Blue	On	Power On
		Off	Power Off
WLAN	Green	On	Connected to home network (Wi-Fi Router)
		Off	Not connected to home network (Wi-Fi Router)
		Flashing	MyFire Wi-Fi Box in Access Point Mode
Receiver	Blue	On	Receiver connected
		Off	No receiver connected or connection lost
All LEDs		Flashing	Internal Configuration

It may be necessary to reset the MyFire Wi-Fi box using a paperclip or similar.

The table below shows the length of time required for each reset and the confirmation signals.



Press Reset Button	LED Status Blue Power LED	Function
1 Sec	Continuously flashes every ½ second	Activates Access Point Mode for 10mins (connect MyFire Wi-Fi module to home network). Simultaneously the Wi-Fi channel changes.
5 Secs	Two rapid flashes every 1 second	System Reset.
10 Secs	Flashes every 100 milliseconds (Continuous)	Restore factory firmware (MyFire Wi-Fi module will set to default after reboot); takes up to 2 minutes.
20 Secs	Flashes every 50 milliseconds (Continuous)	Restores factory firmware and erases all data not locked. (MyFire Wi-Fi module will set to default after reboot); takes up to 2 minutes.

# INSTALLATION INSTRUCTIONS

## COMMISSIONING

Complete the Commissioning Checklist at the front of this manual covering:

- Thermocouple soundness checks.  
This is to include ensuring the thermocouple is secure on the pilot bracket assembly, lead connection and integrity.
- Flue checks
- Gas checks
- Log layout - flame picture

For working pressure test, refer to Technical Specifications.

Ensure all safety checks listed in the Commissioning Section are completed, paying particular attention to the glass panel checks and securing of the glass frame.

Upon completion of the commissioning and testing of the installation and correct operation of the appliance, the installer must instruct the user how to operate the appliance.

Guide the user through the User Instructions paying particular attention to:

- a) Regular servicing.
- b) Ventilation - point out the ventilation positions where applicable.
- c) Hot surfaces.
- d) How the appliance works with the remote control handset and the modes of operation.
- e) How to change settings in the auto mode and program modes of operation.
- f) What to do if the appliance fails to operate.

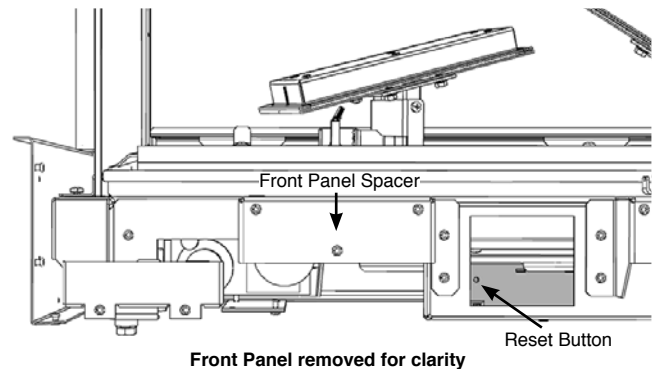
## REPROGRAMMING HANDSET/ CONTROL BOX

To access the control box:

Remove the decorative trim, see Servicing Instructions.

Remove the lower glass retaining bracket, see Servicing Instructions, Page 40.

Access is now possible through the aperture below the centre-left hand side of the appliance using an angled pointed tool.



**NOTE:** Alternatively, the main control assembly can be removed to access the control box, see Servicing Instructions

Press and hold the reset button on the control box until you hear two signals. After the second longer signal:

Release the reset button and within 20 seconds:

Press the DOWN button on the handset until you hear two additional short signals confirming the new code is set. If there is a single long signal the code learning sequence has failed or the wiring is incorrect.

**Note: When pressing the DOWN button on the handset if two beeps are not heard:**

Release the DOWN button and CONN will be displayed on the handset screen. An 8 second count will start on the handset screen followed by two short beeps confirming the new code is set. If there is a single long signal the code learning sequence has failed or the wiring is incorrect.

Replace the lower glass bracket by setting the cam locks in position with the door tool and tightening the screws.

**Ensure the Front Glass is aligned with the Side Glass.**

# SERVICING INSTRUCTIONS

## SERVICING/FAULT FINDING CHARTS

### SERVICING REQUIREMENTS

**IMPORTANT – The glass panels on this appliance should be checked for any signs of damage on the front face of the glass panel (scratches, scores, cracks or other surface defects). If damage is observed, the glass panel must be replaced and the appliance must not be used until a replacement is installed. Under no circumstances should the appliance be used if any damage is observed. Please isolate the appliance until a replacement glass panel has been obtained and installed. Replacement glass panels can be purchased from Gazco via the retailer from which the appliance was purchased or any other Gazco distributor.**

This appliance must be serviced at least once a year by a competent person.

All tests must be carried out in accordance with the current Gas Safe recommendations.

#### Before Testing:

- Conduct a gas soundness test for the property ensuring there are no leaks before servicing.
- Check the operation of the appliance before testing.

#### Special checks:

- Clean the burners using a vacuum cleaner with a soft brush attachment. Ensure all debris is removed from the burner ports.
- Clean away lint or fluff from the pilot.
- Clean away lint or fluff from under the burner.
- Check the spark gap on the pilot is correct.
- Check that the Pilot ignites correctly and Main Burner cross lights smoothly.
- Ensure that the glass is secured correctly and that all retaining screws are in place.

Correct any faults found during the initial test.

Re-commission the appliance in accordance with Commissioning Procedures of these instructions.

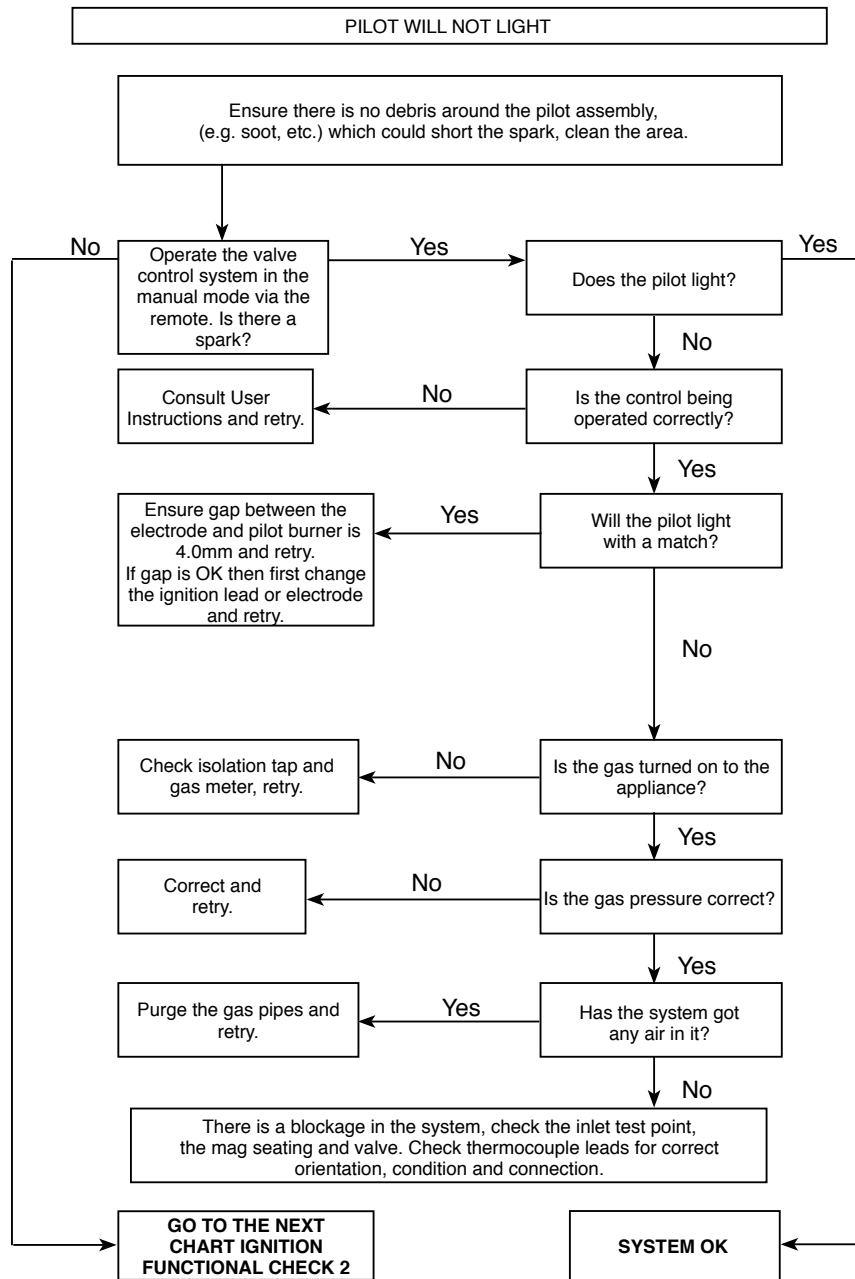
Advise the customer of any remedial work undertaken.

#### Electronic Control Valve Fault Analysis

Symptom	Cause	Remedy
Frequent beeps for 3 seconds after operation request	Loose/damaged wire	Check interrupter block and wires
No ignition, no tone, motor turns slightly when operated	Receiver board damaged	Replace receiver
No pilot flame and control continues to spark	Thermocouple circuit wired incorrectly	Correct wiring
Pilot lights, control continues to spark, valve shuts down after 10 - 30 seconds	1. No spark at pilot burner 2. Loose/damaged wire	1. Rectify spark at pilot burner 2. Check interrupter and wires
Rear burner can not be turned off - valve can be heard to operate.	Faulty Solenoid Valve	Replace Solenoid Valve
Rear burner can not be turned off - no beep or noise from solenoid	1. Faulty wire/ wire not connected 2. Faulty receiver	1. Replace wire/ solenoid 2. Replace receiver

## FAULT FINDING CHARTS

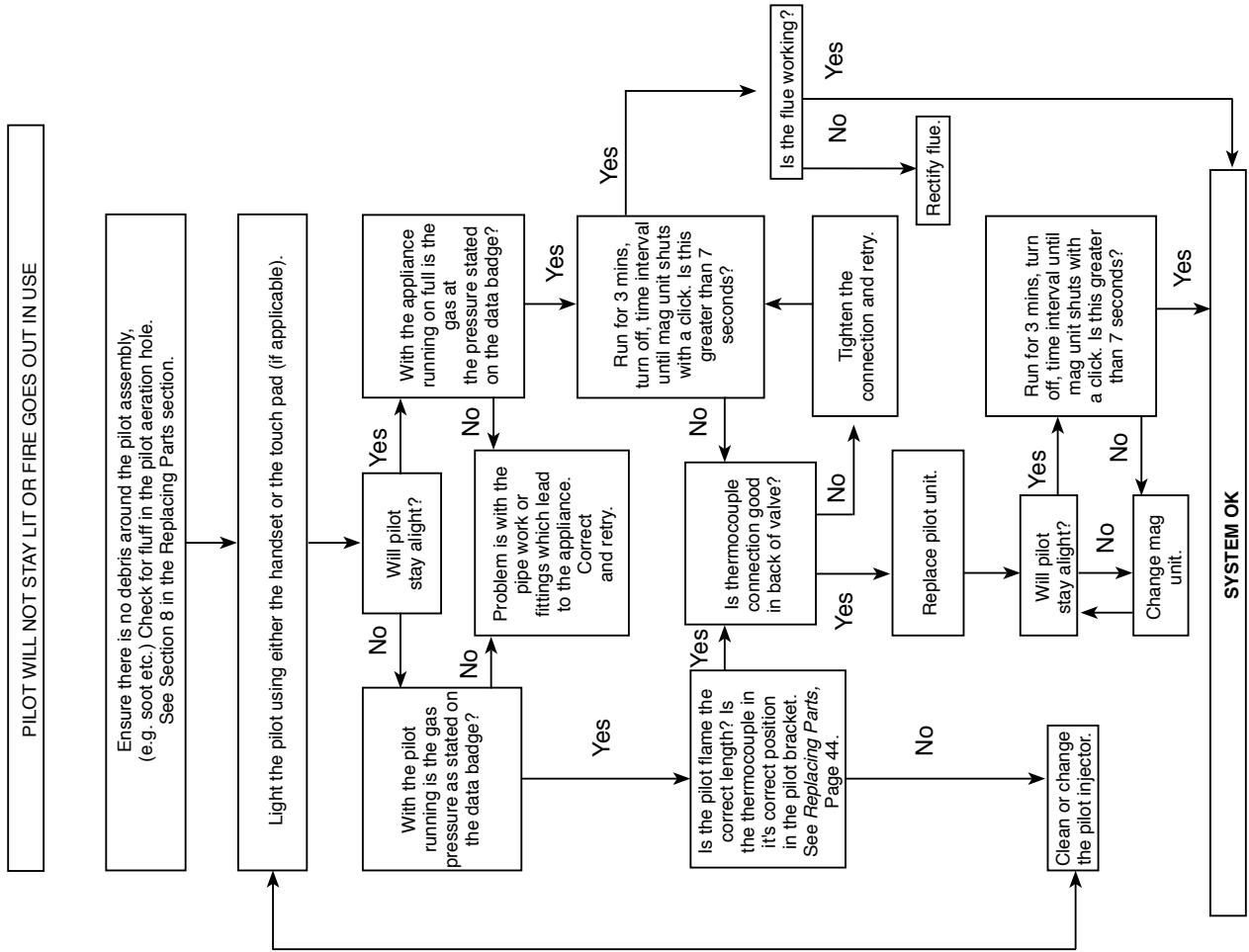
### IGNITION FUNCTIONAL CHECK 1



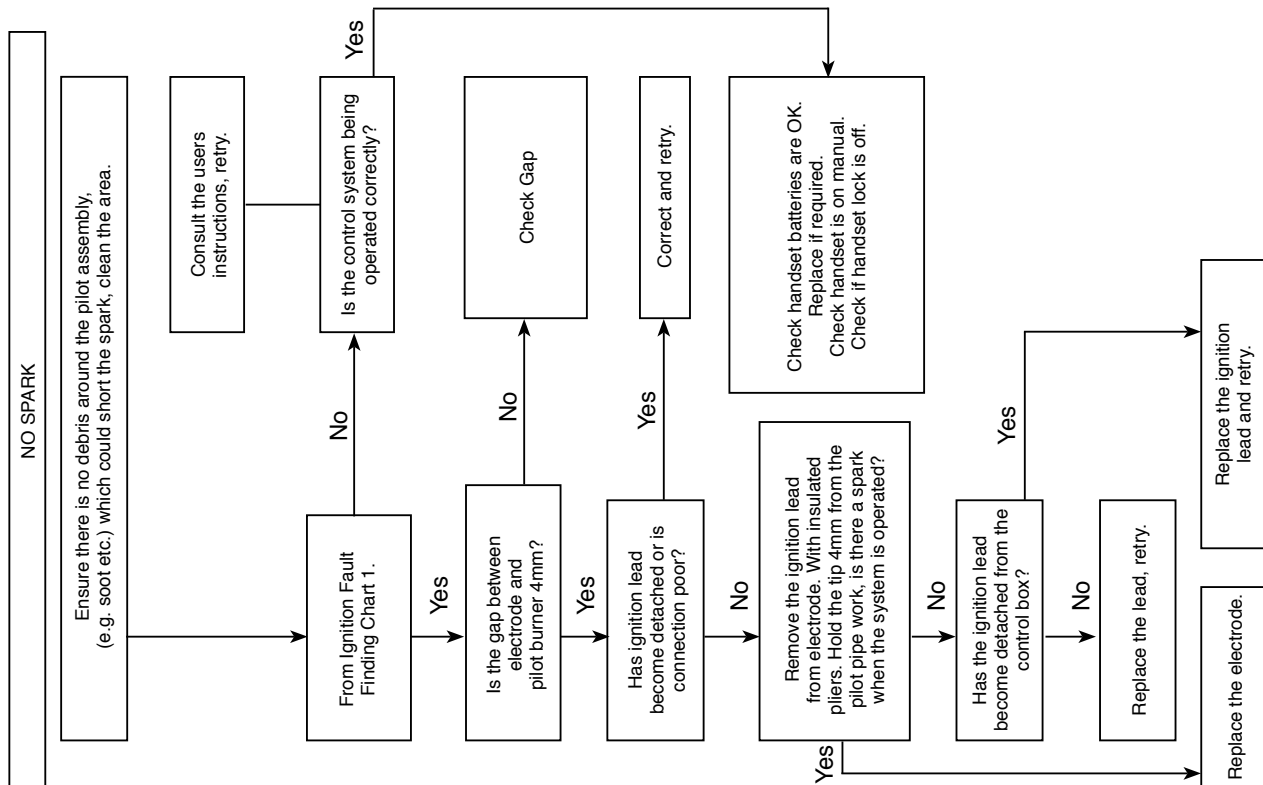
# SERVICING INSTRUCTIONS

## FAULT FINDING CHARTS

### FLAME FAILURE FUNCTIONAL CHECK 3



### IGNITION FUNCTIONAL CHECK 2



# SERVICING INSTRUCTIONS

## GENERAL

All main components can be replaced without removing the appliance from its installation.

**DISCONNECT MAINS ELECTRICAL SUPPLY AT THE ACCESSIBLE PLUG OR DEDICATED SWITCH BEFORE SERVICING THE APPLIANCE.**

**IT IS ESSENTIAL THAT THE GAS SUPPLY TO THE APPLIANCE IS TURNED OFF AT THE ISOLATION DEVICE BEFORE PROCEEDING FURTHER.**

It will be necessary to remove the burners and the fuel bed before any of the main components can be serviced.

The Power Module and the Wi-Fi Receiver can be serviced by removing the decorative trim and lower glass retaining bracket.



**DURING SERVICING OF THIS APPLIANCE IT MAY BE NECESSARY TO CUT CABLE TIES IN ORDER TO ACCESS AND REMOVE SOME OF THE PARTS. THESE MUST BE REPLACED WHEN REASSEMBLING THE APPLIANCE.**



**AFTER SERVICING ENSURE THAT ALL CONNECTIONS ARE REPLACED BEFORE REPLACING THE MESH TRAY.**

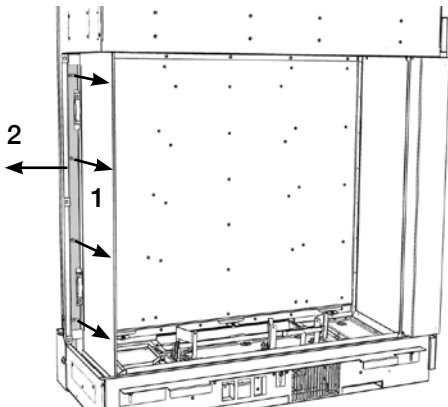
## REMOVING THE GLASS

### 2 SIDED MODELS

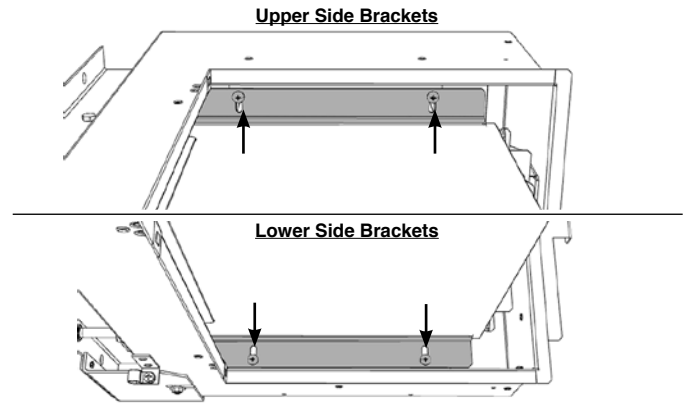
The following instructions assume a left facing glass model. If fitting a right facing glass model the instructions are still correct, however, the images may not wholly reflect the installation in question.

If fitted, remove the decorative trims.

1. Loosen.
2. Slide bracket.

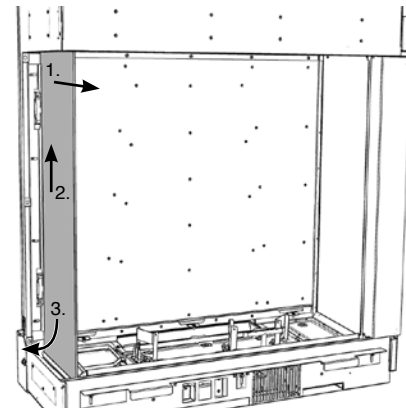


Repeat for the 2 upper Brackets and 2 lower Brackets.



With the brackets disengaged, carefully slide the side glass panel forward, lift, and swing the bottom out to remove.

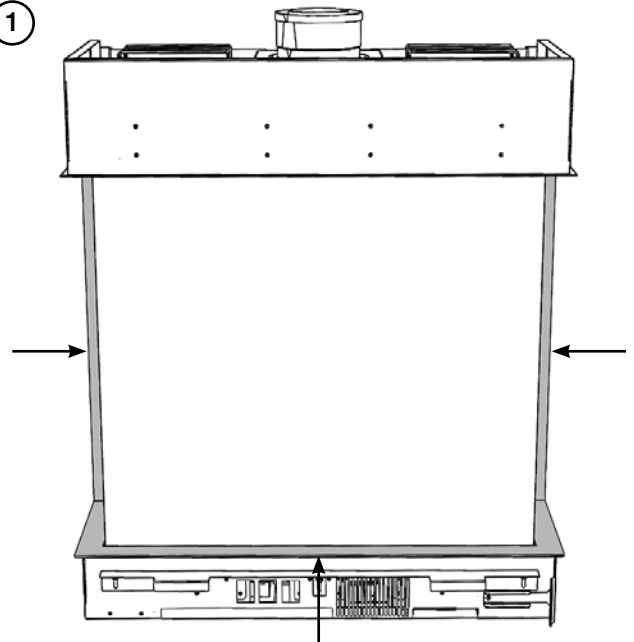
Place the glass carefully to one side.



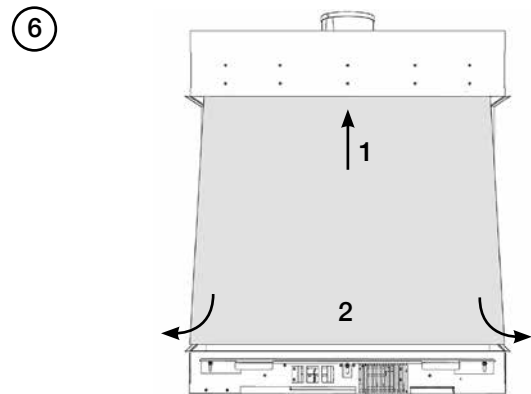
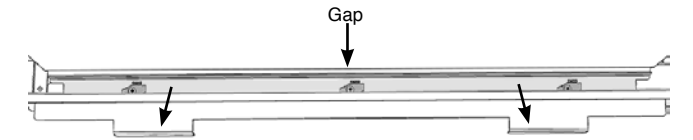
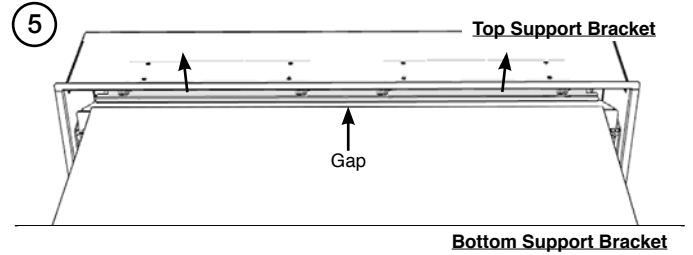
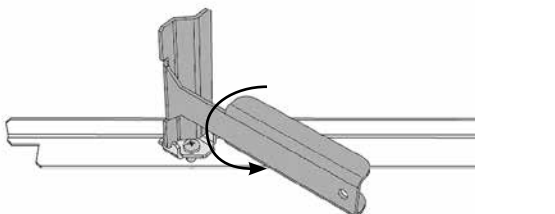
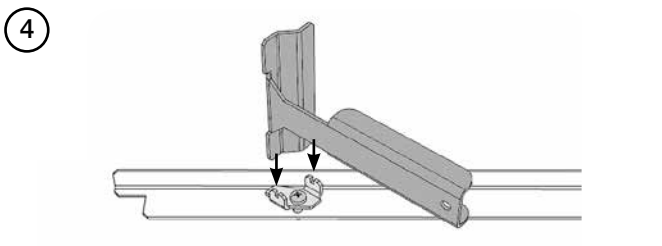
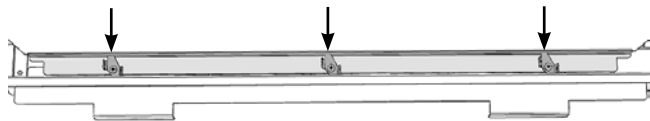
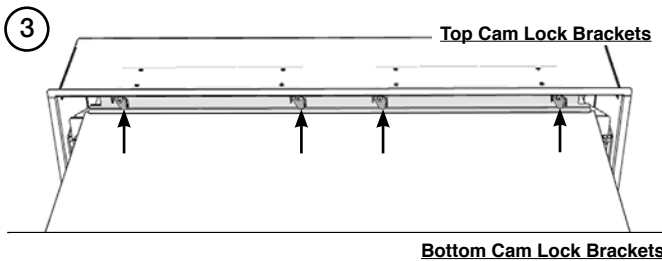
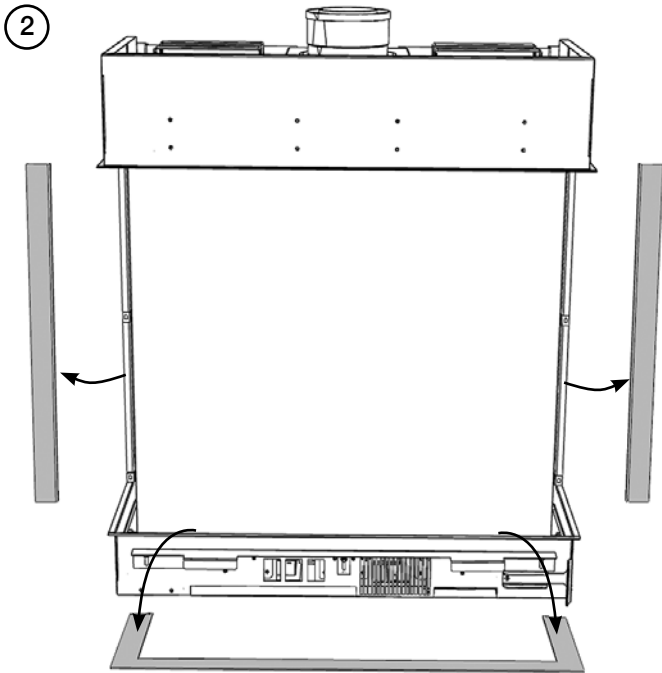
**Ensure that no fuel effect has fallen into the side glass channels.**

### ALL MODELS

①



# SERVICING INSTRUCTIONS



**i** The side glass does not need to be removed to install the appliance. It is recommended to leave the Side Glass in situ unless absolutely necessary.

The glass panel must be refitted to the appliance following cleaning or servicing.

To replace the glass panel, replace in reverse order.

Ensure that the brackets engage with the glass panel and the glass is pressed firmly into position.

**ENSURE THAT ALL GLASS PANELS ARE FLUSH AND THAT THERE ARE NO GAPS BETWEEN PANELS.**

**!** UNDER NO CIRCUMSTANCES SHOULD THE APPLIANCE BE USED IF ANY OF THE GLASS PANELS ARE LOOSE, DAMAGED, OR MISSING.

Replace the lower and side trim.



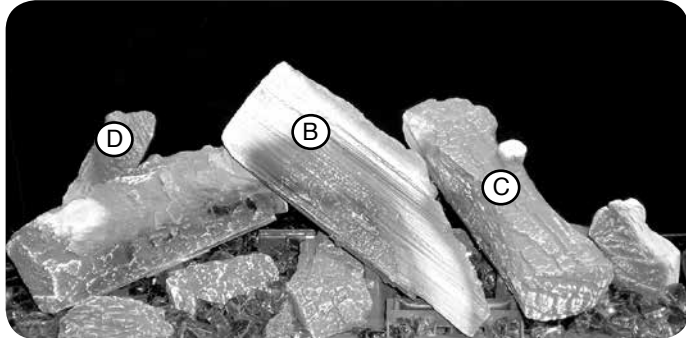
## REMOVING THE FUEL EFFECT

The fuel effect consists of 12 different components:

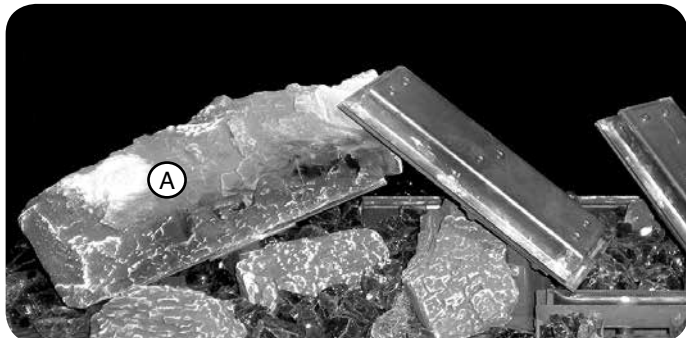
- 5 Logs
- 3 Large embers
- 2 Small embers
- Shale effect & amber effect

To avoid damage Logs A, B, C and D should be removed in the following order and placed on a dry, clean surface.

Remove Logs D, B and C.



Slide Log A backwards, from under the centre Log Burner, to remove.



Remove the remaining components:

1. Log E.
2. Embers F, G and H.
3. 2 small Embers.
4. Shale Effect.
5. Amber Effect.

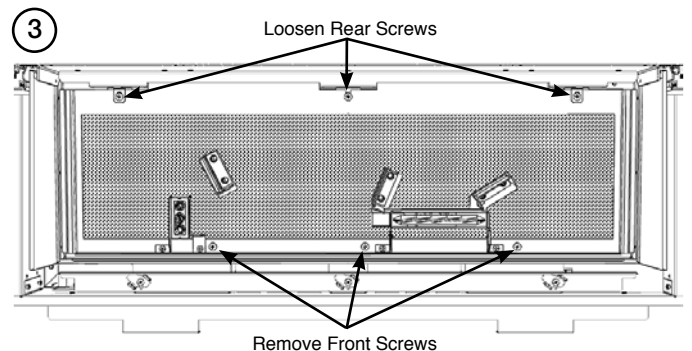
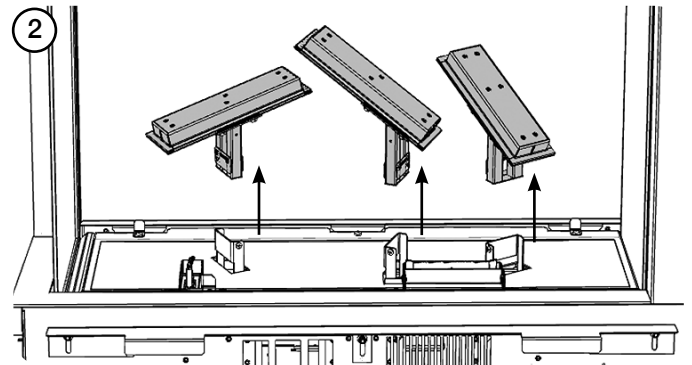
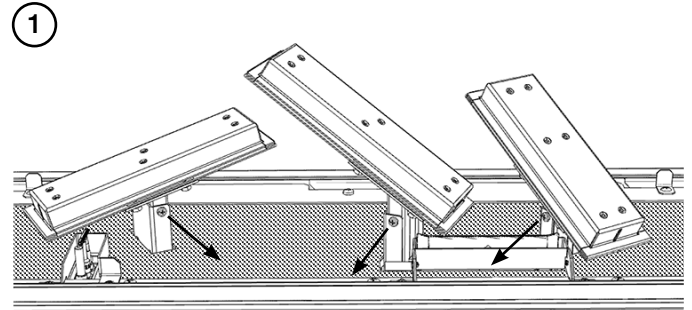
**Keep each component separate for ease of replacing.**

**When replacing the fuel effects see Installation Section for layout instructions.**

## REMOVING THE LOG BURNERS AND MAIN CONTROL ASSEMBLY

Remove the Front Glass.

Remove the Fuel Effect.



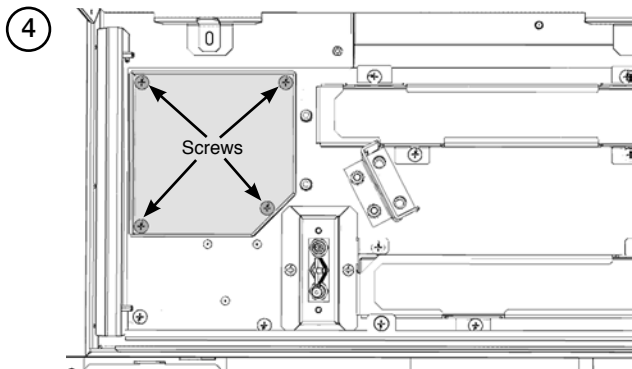
**NOTE:** The left and right hand screws secure the 2 lower liner tabs.

Slide the Mesh Tray forward slightly to disengage from the rear screws and carefully lift over the Log Burner Brackets, Pilot and Cross Lighter.

Remove through the front of the appliance.

**WHEN REPLACING THE MESH TRAY TAKE CARE NOT TO DAMAGE THE LOG BURNER BRACKETS, PILOT AND CROSS LIGHTER. REPLACE THE FRONT SCREWS FIRST BEFORE TIGHTENING THE REAR SCREWS.**

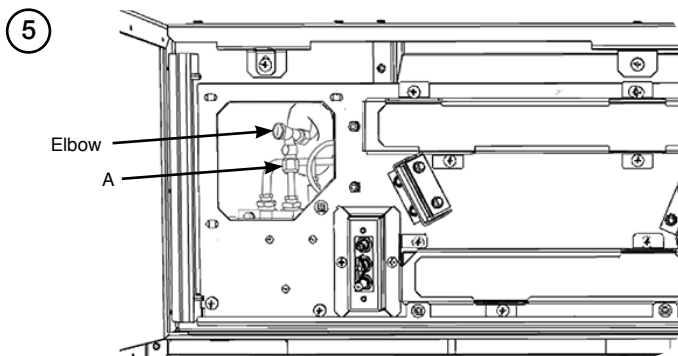
# SERVICING INSTRUCTIONS



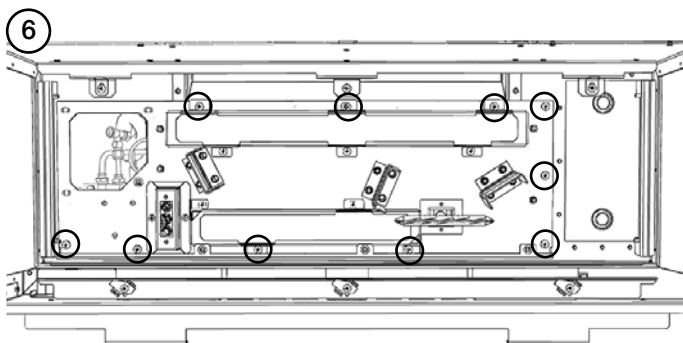
Turn the gas supply off at the isolation device.

## HAVE YOU ISOLATED THE GAS SUPPLY?

Disconnect the isolating device from the appliance inlet pipe (A) to isolate the gas supply.



Remove the remaining screws securing the Main Control Assembly to the firebox.



Disconnect the LED lead and the Receiver lead from the power module. If fitted, disconnect the Wi-Fi lead from the Wi-Fi module.

Lift the rear and slide to the right.  
The Main Control Assembly can now be removed.

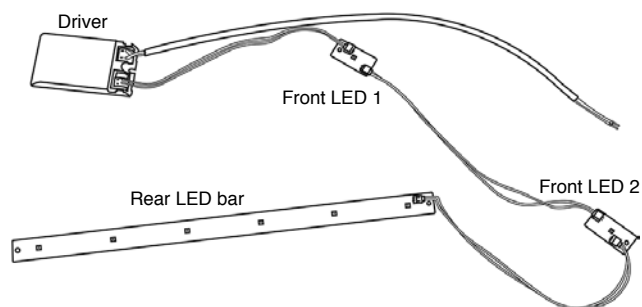
4.15 Replace in reverse order.



**AFTER SERVICING ENSURE THAT ALL CONNECTIONS ARE REPLACED BEFORE REPLACING THE MESH TRAY.**

## REPLACING THE LED CIRCUIT

There are 3 LED boards, which can be replaced individually.



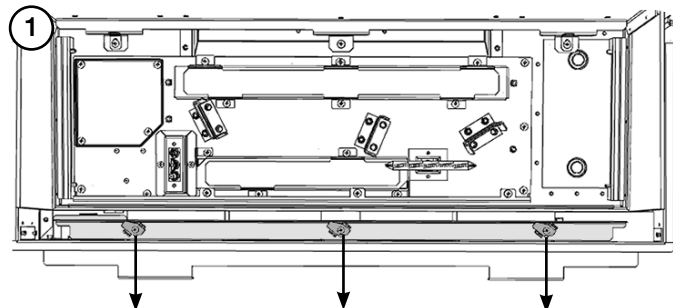
**THE LED'S ARE FRAGILE. HANDLE WITH CARE. ONLY HOLD THE LED BOARDS BY THE EDGES TO AVOID CONTACT WITH THE TOP OF THE LED'S.**

**AVOID CATCHING ANY DELICATE WIRES WHEN REPLACING THE SCREWS.**

Remove the Main Burners and the Mesh Tray.

### Front LED boards

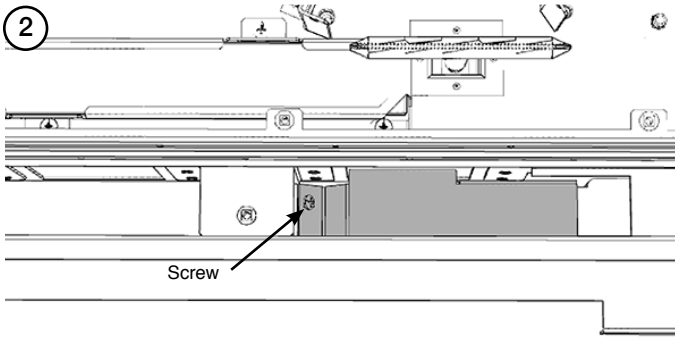
There are two LED boards located on a shelf below the top of the Control Assembly.



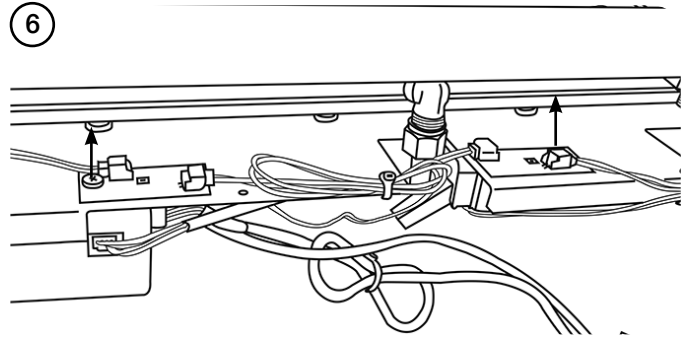
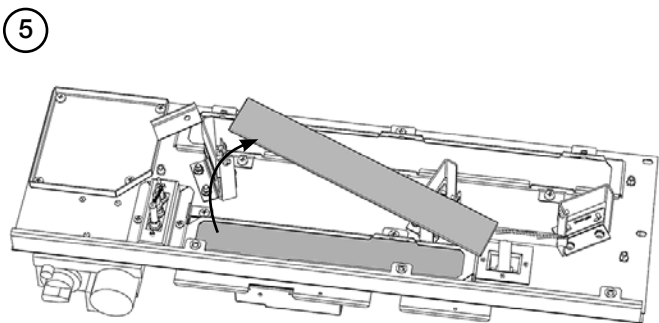
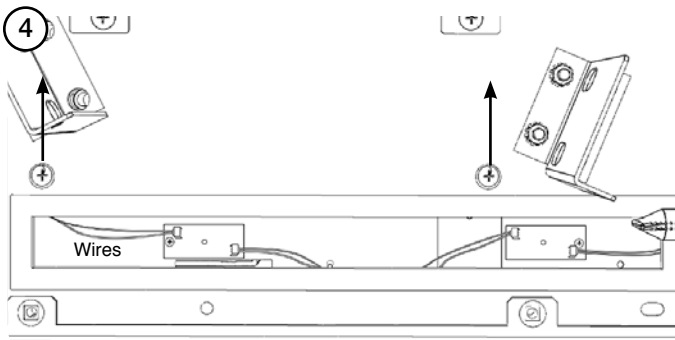
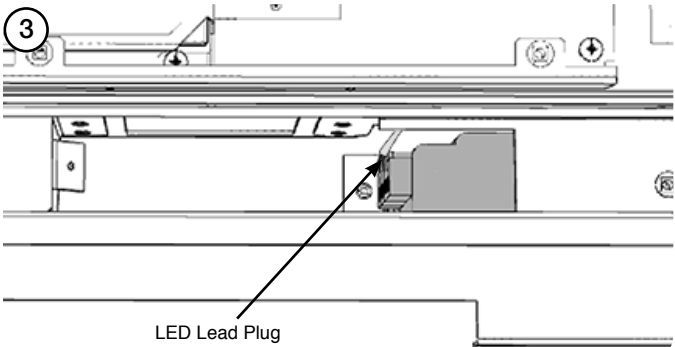
Lift the brackets away from the appliance.

Remove the screw from the module cover and carefully lift to remove.

# SERVICING INSTRUCTIONS



Withdraw the module and disconnect the LED Mains Lead Plug.



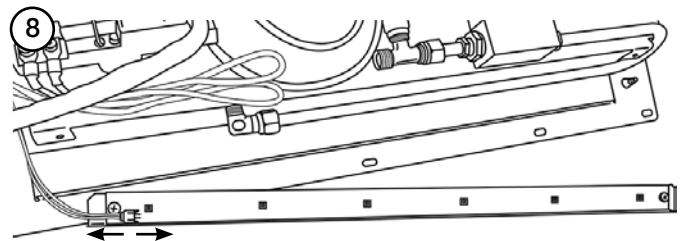
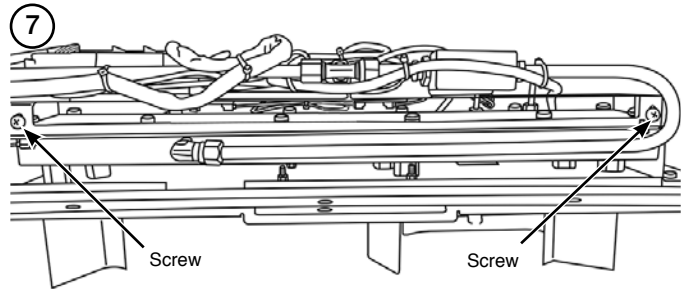
The boards can now be replaced.

NOTE: Each board has the wiring direction marked as IN or OUT on each end to ensure the replacement boards are wired correctly.

## Rear LED bar

Remove the Main Control Assembly.

Remove the 2 screws securing the LED cradle to the underside of the Control Assembly.



Replace in reverse order.

## Driver

The driver is located on the underside of the Main Control Assembly next to the latching Solenoid.

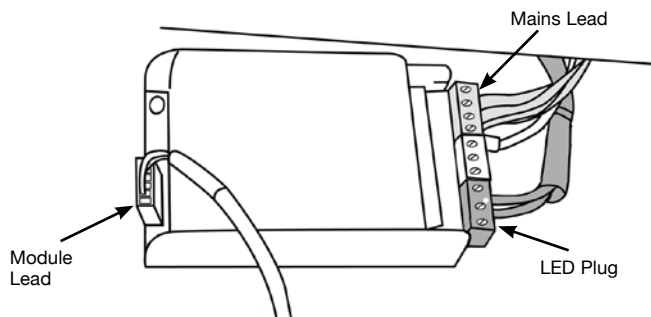
This is a non-serviceable part.

# SERVICING INSTRUCTIONS

## REPLACING THE MODULE

Remove the magnetic trims, and the lower Glass Support Bracket.

Remove the module cover and disconnect the LED plug and Mains Lead from the Module.



Disconnect the Module Lead.

The Module can now be removed.

Replace in reverse order.

## PILOT UNIT ASSEMBLY

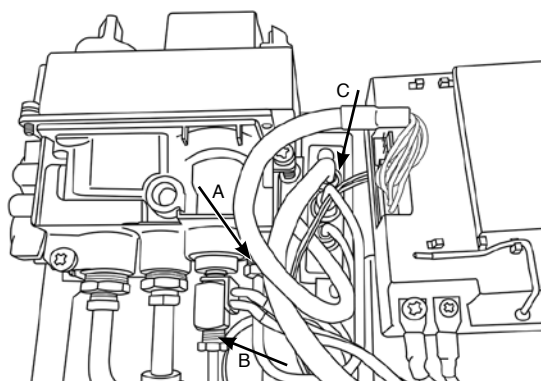
Turn off the gas supply at the isolating device.

Remove the Log Burners and Main Control Assembly.

The pilot bracket can be accessed from the underside of the Main Control Assembly.

**IMPORTANT: UNDER THE TERMS OF THE EXTENDED WARRANTY IT WILL BE COMPULSORY TO CHANGE THE COMPLETE PILOT UNIT ON THIS APPLIANCE IN YEARS 2 AND 4.**

Undo pilot pipe from the control valve, see Arrow A.  
Remove the thermocouple from the interrupter block, See Arrow B.



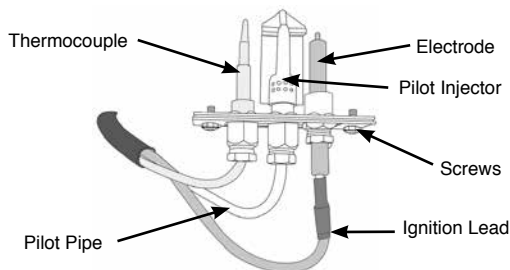
Remove the ignition lead from the electrode, see Arrow C.

Undo the 2 retaining screws from pilot unit bracket.

The pilot bracket can now be withdrawn from its cradle.

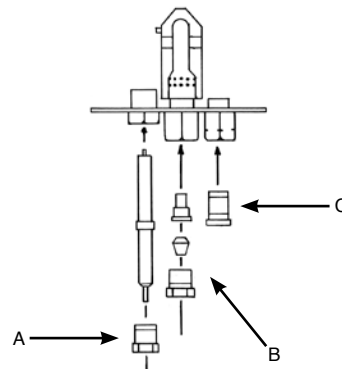
The pilot assembly consists of three components, which can be individually changed, these are:

- Electrode.
- Pilot Injector.
- Thermocouple.



## ELECTRODE

Pull the ignition lead off the electrode and undo the retaining nut, see arrow A.



Replace with a new electrode. Do not over-tighten the nut; this could break the component.

Replace the ignition lead.

## PILOT INJECTOR

With the pilot assembly removed, undo the nut to drop the injector out from the burner, see Arrow B.

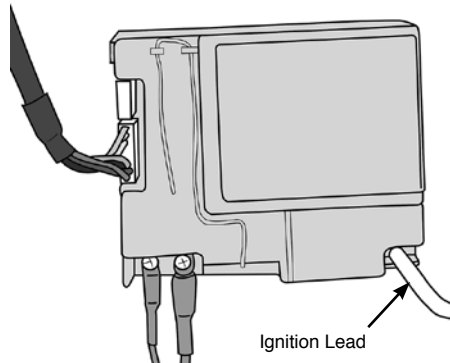
## THERMOCOUPLE

Undo the brass nut to remove the thermocouple from the pilot burner unit, see Arrow C.

# SERVICING INSTRUCTIONS

## IGNITION LEAD

Unplug the Ignition lead from the control box.



Carefully cut cable ties from the vidaflex and disconnect the lead from the electrode.

**IMPORTANT** Ensure not to cut the cables.

## GAS VALVE

To change the gas valve:

Remove the Log Burners and Main Control Assembly.

Disconnect the Gas Inlet Pipe, Arrow A.

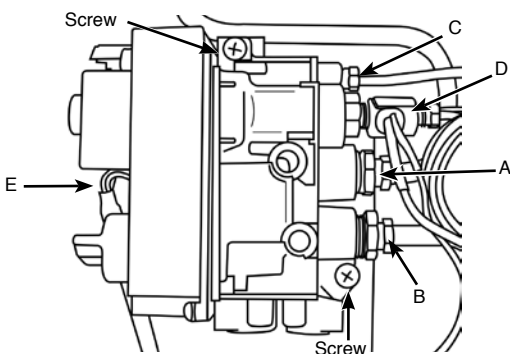
Disconnect the Gas Outlet Pipe, Arrow B.

Disconnect the Pilot Pipe, Arrow C.

Disconnect the Thermocouple, Thermocurrent Wires and the Interrupter Block, Arrow D.

Remove the Eight Wire Loom, Arrow E.

There is an access hole above the cable plug on the valve. Insert a small screwdriver to release the locking tab.



Remove the 2 screws securing the Valve to the support bracket and withdraw the Valve.

Replace in reverse order and check for leaks.

## MAGNETIC SAFETY VALVE

Remove the Log Burners and Main Control Assembly.

Undo the Thermocouple from the Interrupter Block and remove the 2 Interrupter Leads.

Unscrew the Interrupter Block from the back of the Valve.

Undo the silver Magnetic Valve retaining nut on the back of the Valve.

Gently tap out the Mag Valve.

Replace with a new unit.

Reassemble in reverse order ensuring that the interrupter leads are connected correctly with the blue tag lead furthest away from the gas valve body.

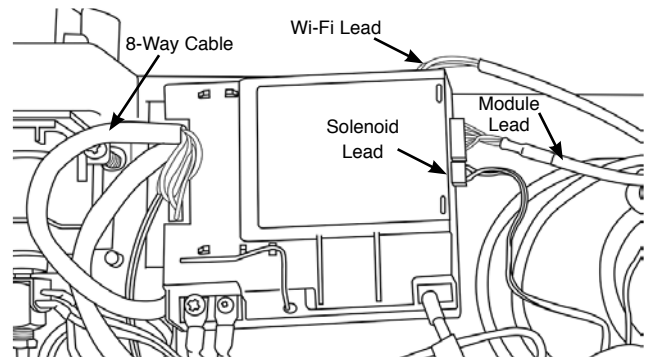
Check for leaks.

## CONTROL BOX

To replace the Control Box first remove the Main Control Assembly.

Cut the cable tie holding the Ignition lead and the Thermocurrent cables.

Disconnect the Wi-Fi lead (if fitted), Module lead, and Solenoid lead from the Control Box.

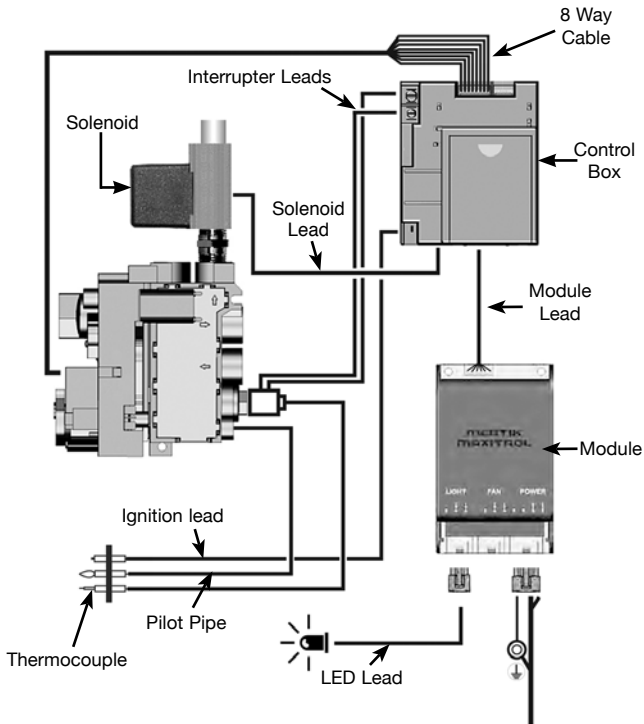


Remove the Ignition Lead. The Control Box is held on by Velcro pads.

Remove the 2 screws to remove the 2 Interrupter Leads.

# SERVICING INSTRUCTIONS

Remove the 8 way cable from the Control Box.



Replace in reverse order.

After replacing the Control Box ensure that all cable ties and connections are refitted.

After replacing the Control Box you will need to reprogram the handset.

- Press and hold the reset button on the control box until you hear two signals. After the second longer signal:
- Release the reset button and within 20 seconds:
- Press the DOWN button on the handset until you hear two additional short signals confirming the new code is set. If there is a single long signal the code learning sequence has failed or the wiring is incorrect.

**Note: When pressing the DOWN button on the handset if two beeps are not heard:**

- Release the DOWN button and CONN will be displayed on the handset screen. An 8 second count will start on the handset screen followed by two short beeps confirming the new code is set. If there is a single long signal the code learning sequence has failed or the wiring is incorrect.

## FUEL BED INJECTORS

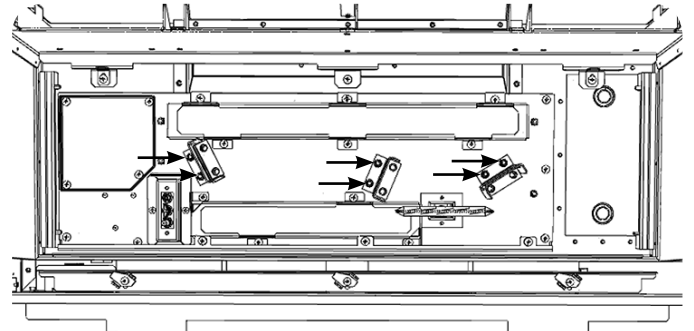
This appliance has 6 Fuel Bed Injectors.

**NOTE: The injectors are not identical, see Page 8.**

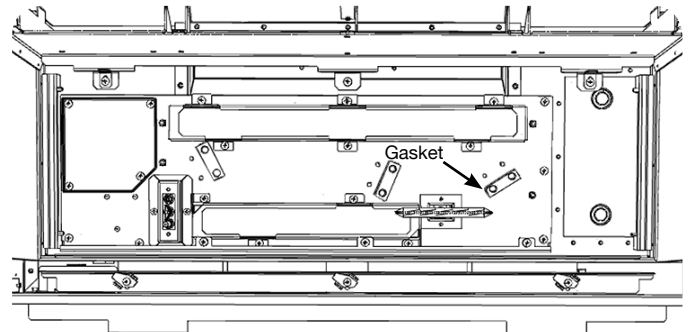
**TO ENSURE CORRECT ASSEMBLY REPLACE EACH INJECTOR INDIVIDUALLY.**

Remove the Magnetic Trim, Front Glass, Log Burners and Mesh Tray.

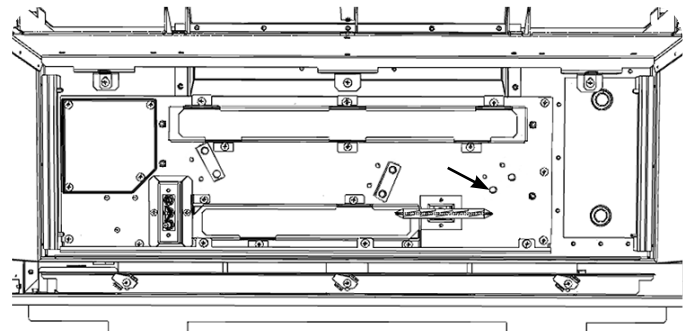
Remove the 2 nuts and lock washers from each Burner Bracket.



Remove the Gasket.



Undo the Injectors individually.



Replace with the correct size Injector.

See table on Page 12.

**NOTE: DO NOT OVERTIGHTEN.**

Use thread sealant Loctite 572 when replacing Injectors.

Repeat for the remaining Injectors.

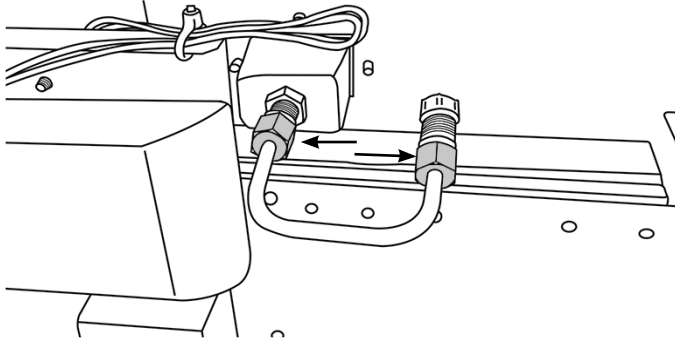
Check for leaks.

## CROSS LIGHTING INJECTOR

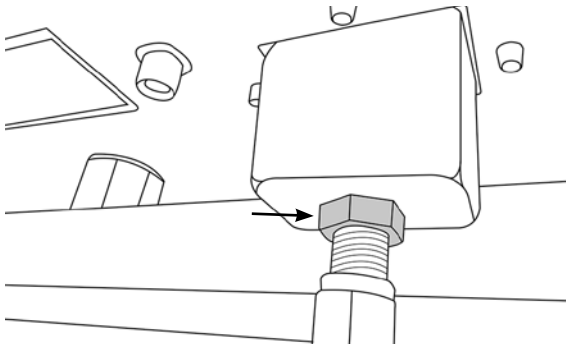
Remove the Magnetic Trim, Front Glass, Log Burners and Main Control Assembly

Turn the Main Control Assembly over to access the components on the underside.

Remove the injector pipe by loosening the two nuts.

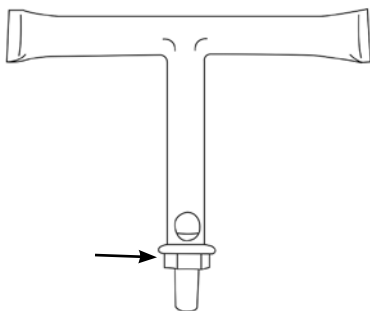


Undo the nut from the Cross Lighter.



Turn the Main Control Assembly over.

Withdraw the Cross Lighting bar from the Control Assembly. The Injector is screwed into the bottom of the bar.



Replace with the correct size Injector and refit all components in the reverse order.

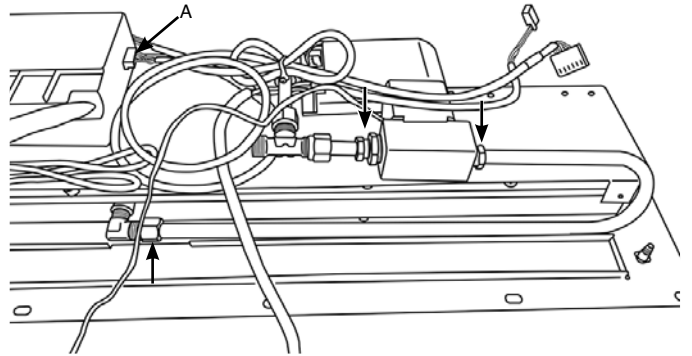
Check for leaks.

## LATCHING SOLENOID

Remove the Magnetic Trim, Front Glass, and Main Control Assembly.

Remove the cradle holding the rear LEDs to access the pipe work for the solenoid.

Undo the three nuts shown and free the solenoid from the pipework.



Remove the Solenoid plug from the Control Box, see Diagram 35, Arrow A.

Cut the cable tie. **NOTE the orientation of the cables.**

Replace in reverse order.

Check for leaks.

**Ensure that the cable ties are replaced.**

## CHANGING BETWEEN GAS TYPES

In order to change between gas types, it will be necessary to change the following components:

- Pilot Injector**
- Main Injectors x 6**
- Cross lighting Injector**
- Gas Valve**
- Main Burner x 3**

Contact your Gazco retailer for further information.

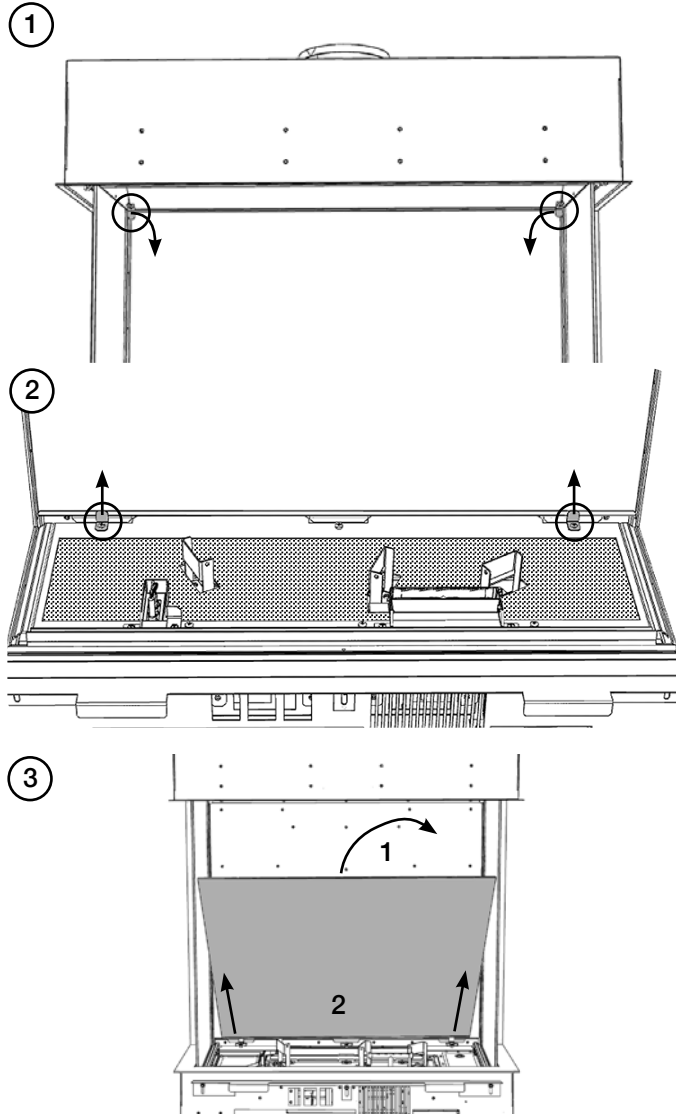
A kit of parts is available for this. Always quote the Model number and Serial number when ordering any spare parts.

# SERVICING INSTRUCTIONS

## LINERS

Remove the Front Glass, Fuel Effect, and Main burners.

### 3-SIDED MODELS

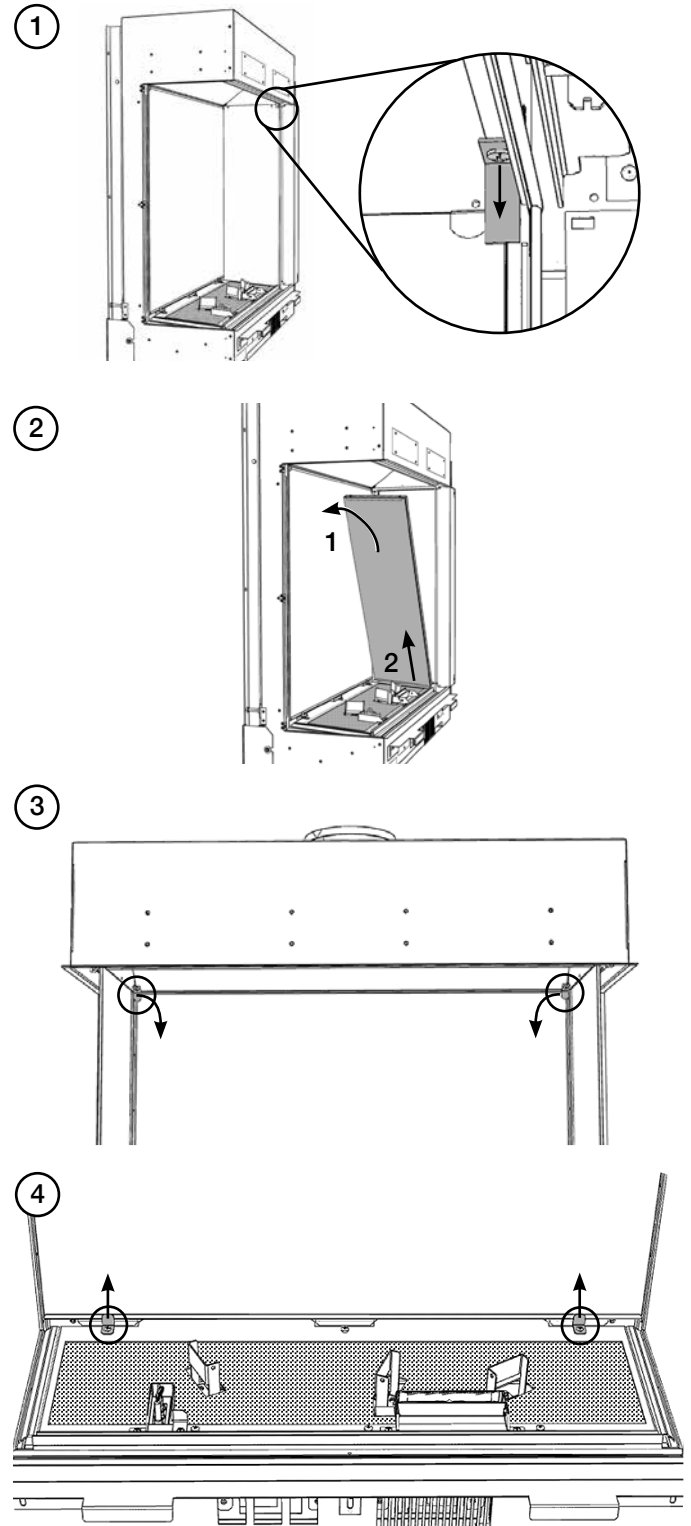


To replace the Liners reverse these procedures. Ensure no amber glass or black shale has fallen onto the Liner Support Brackets.

## 2-SIDED MODELS

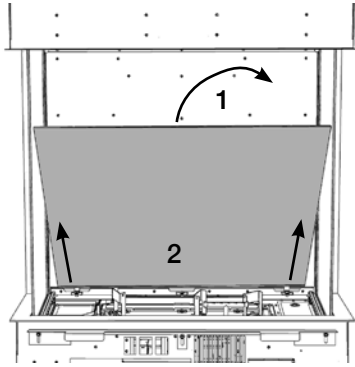
The following instructions assume a right-handed installation. If fitting a left-handed installation the instructions are still correct, however, the images may not wholly reflect the installation in question.

If fitted, remove the decorative trims. **channels.**





5



To replace the Liners reverse these procedures. Ensure no amber glass or black shale has fallen onto the side liner infill or liner support brackets.

### To Replace the Side Glass:

Place the Side Glass panel in position. Do not tighten the brackets at this stage.

Replace the Front Glass Panel and tighten the front brackets, ensuring the Side Glass sits on the spring clip located in the rear channel.

Push the rear side brackets up against the side glass and tighten the screws. Ensure the side glass locates behind the front glass panel.

Tighten the top and bottom side glass brackets.

Replace the magnetic trim.

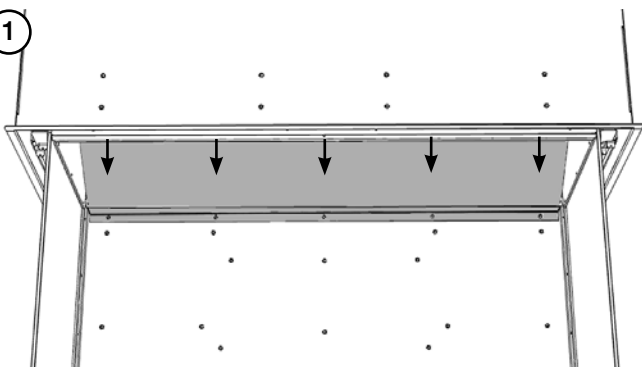
## BAFFLE

Remove the Front Glass, Fuel Effect, and Main burners.

Remove the Rear Liner and Side Liner (if applicable).

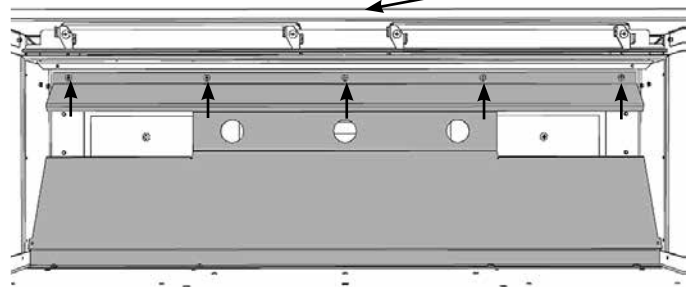
The Baffle is held in position by 10 screws.

1

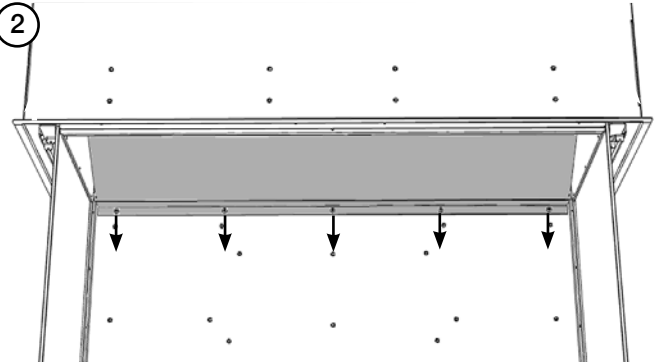


Underside of Baffle

Front of appliance



2



Replace in reverse order.

## SIDE GLASS PANELS

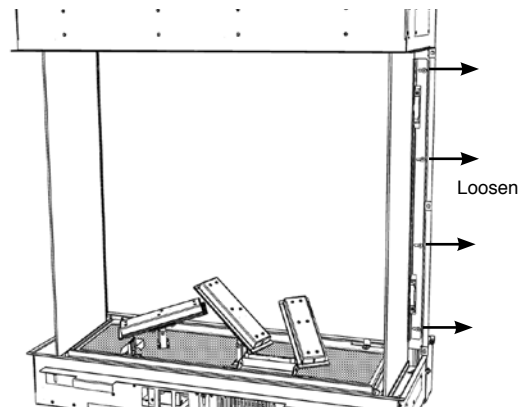


**THE SIDE GLASS DOES NOT NEED TO BE REMOVED TO SERVICE THE APPLIANCE.**

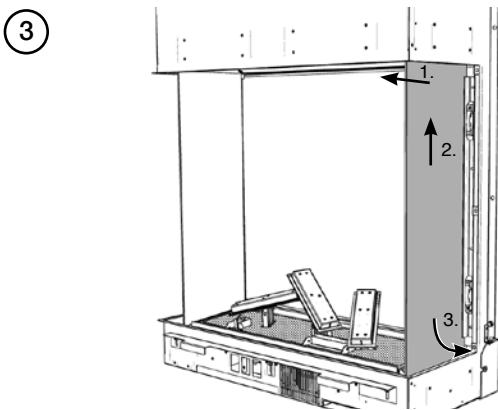
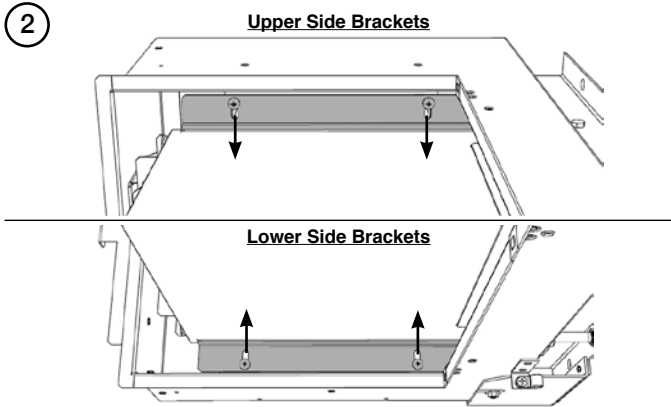
**It is recommended to leave the Side Glass in situ unless absolutely necessary.**

The Front Glass must be removed in order to take out the Side Glass panels.

1



# SERVICING INSTRUCTIONS



Ensure that no fuel effect has fallen into the side glass channels.

### To Replace:

Place the Side Glass panel in position. Do not tighten the brackets at this stage.

Replace the Front Glass Panel and tighten the front brackets, ensuring the Side Glass sits on the spring clip located in the rear channel.

Push the rear side brackets up against the side glass and tighten the screws. Ensure the side glass locates behind the front glass panel.

Tighten the top and bottom side glass brackets.

Replace the magnetic trim.

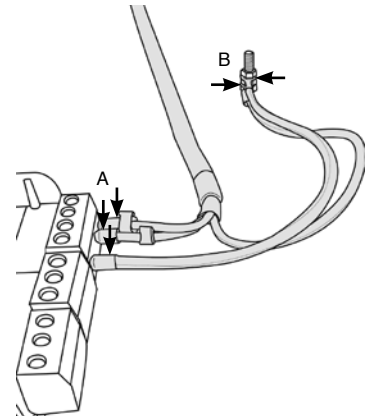
## REPLACING THE POWER CABLE

**BEFORE UNDERTAKING ANY WORK SWITCH OFF THE APPLIANCE AND ISOLATE THE POWER SUPPLY ENSURING THERE IS NO POWER TO THE APPLIANCE.**

To replace the Power Cable first remove the Main Control Assembly.

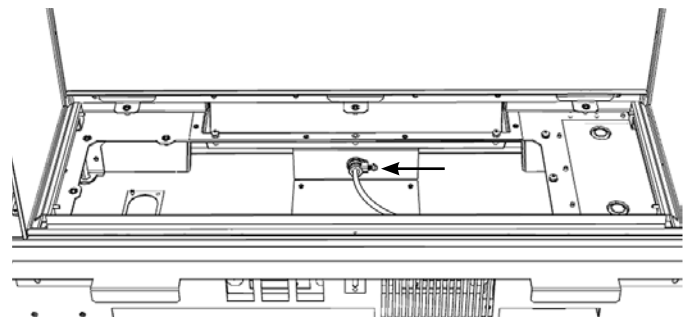
Disconnect the 3 cables from the Power Module, Arrow A.

NOTE THE CONFIGURATION OF THE WIRES.



Remove the nuts from the Earth stud and remove the two Ring Terminals, Arrow B.

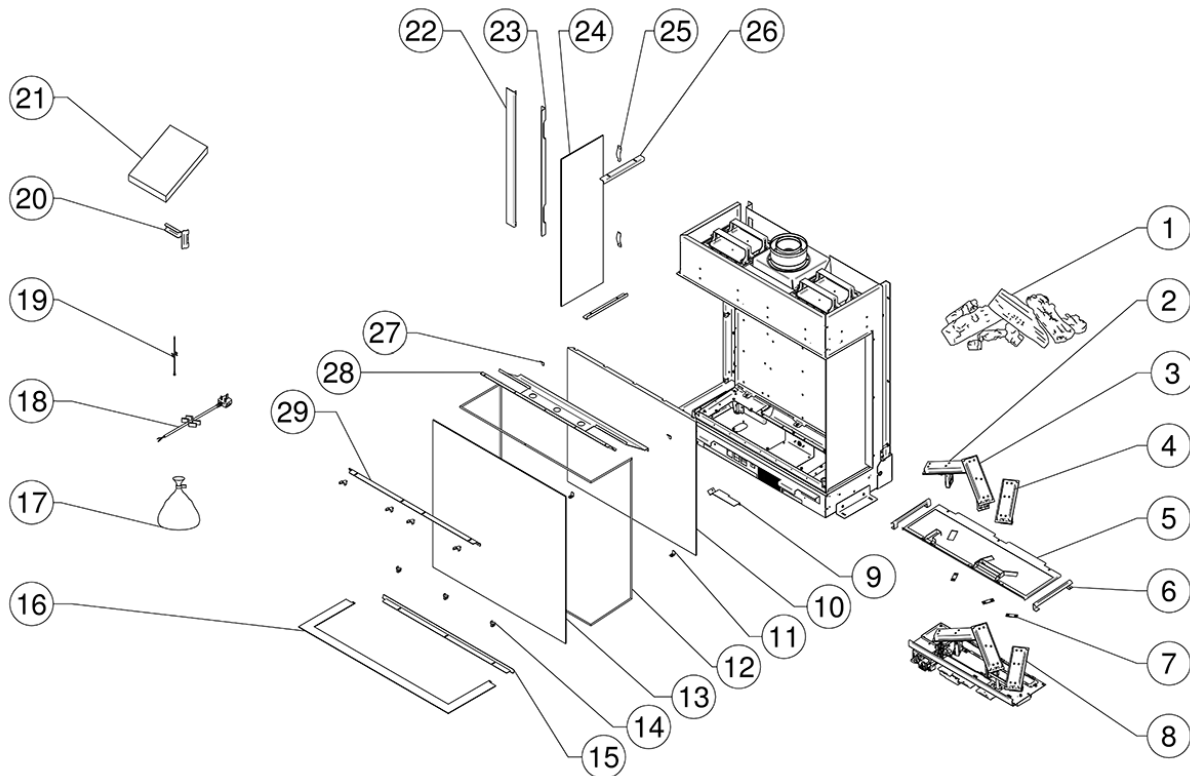
Loosen the locking screw securing the Power Cable in place.



Withdraw the old cable.

Fit the new cable in reverse order ensuring it is rewired in the original configuration.

## REFLEX 75T MAIN ASSEMBLY - 3-SIDED



No.	Component	Part Code		Qty.
		Natural Gas	LPG	
1	Ceramic Log Set	CE1731		1
2	LH Burner Can Assembly	GZ15353	GZ15425	1
3	Central Burner Can Assembly	GZ15354	GZ15426	1
4	RH Burner Can Assembly	GZ15355	GZ15427	1
5	Burner Tray and Mesh Assembly	GZ15347		1
6	Burner Infill	GZ14950		2
7	Injector Seal	CE1738		3
8	Control Assembly	GZ15352N	GZ15352P	1
9	Module Cover	GZ15486		1
10	Black Glass Rear Panel Assembly	991-202		1
	Ledgestone Rear Panel	991-174		1
	Brick Effect Rear Panel	991-166		1
11	Lower Lining Retainer Bracket	GZ15293		2
12	Ropeseal	FA0758		1
13	Front Viewing Glass	CE1915		1
14	Cam Lock Brackets	GZ15061		7

No.	Component	Part Code		Qty.
		Natural Gas	LPG	
15	Lower Front Glass Retainer	GZ15611		1
16	Decorative Base Trim Cover	GZ14961		1
17	Amber Crushed Glass	CE1737		1
18	UK Mains Lead (2M)	EL0673		1
19	Earth Cable	EL0051		1
20	Hand Tool	GZ15428		1
21	Instruction Kit	GZ15424		1
22	Decorative Side Trim Cover	GZ14962		2
23	Rear Side Glass Retainer	GZ15609		2
24	Side Viewing Glass	CE1916		2
25	Spring Clip	FA0771		4
26	Upper & Lower Side Glass Retainer	GZ15608		4
27	Upper Lining Retainer Bracket	GZ15294		2
28	Inner Baffle	GZ14951		1
29	Upper Front Glass Retainer	GZ15610		1



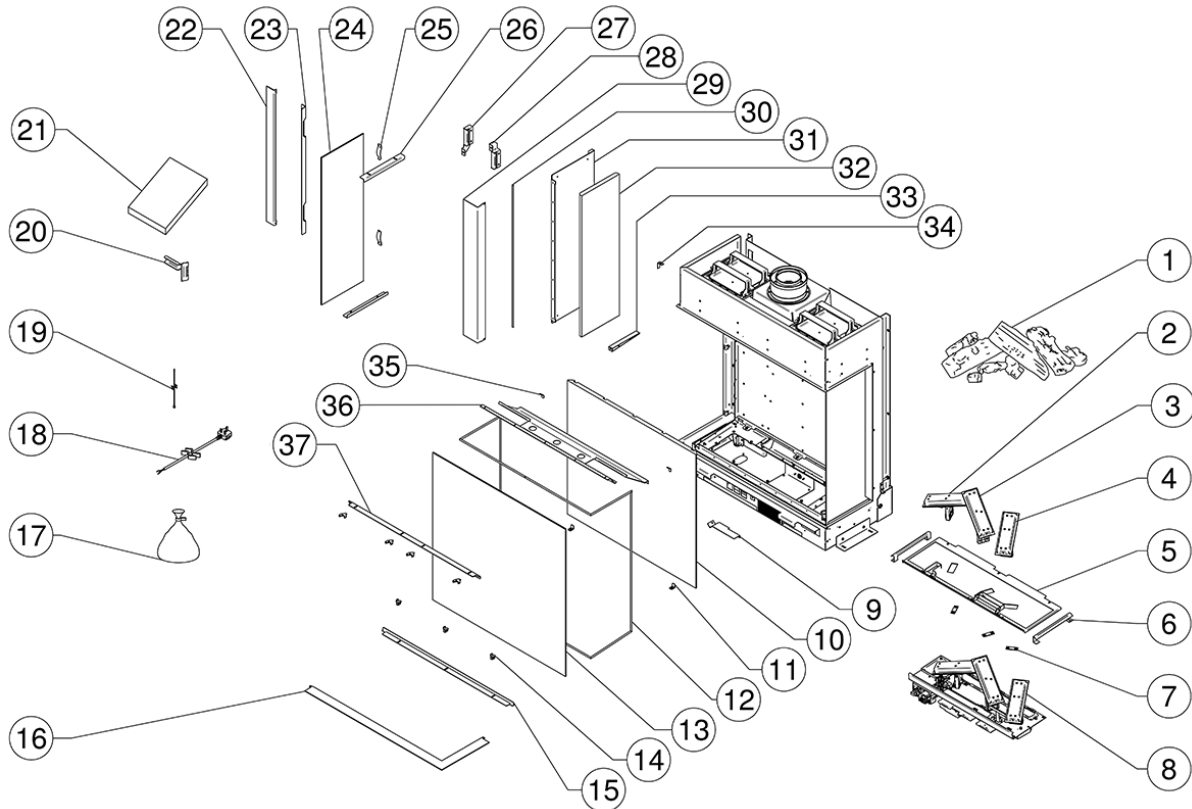
Due to continual technical improvements please check online or with your Gazco retailer for the most up to date parts lists.

Only use Genuine Gazco spares when servicing your appliance.

All of our essential spare parts and consumable items are available to purchase from our webshop at [www.gazcospares.com](http://www.gazcospares.com).

# SPARES LIST

## REFLEX 75T MAIN ASSEMBLY - 2-SIDED



No.	Component	Part Code		Qty.
		Natural Gas	LPG	
1	Ceramic Log Set	CE1731		1
2	LH Burner Can Assembly	GZ15353	GZ15425	1
3	Central Burner Can Assembly	GZ15354	GZ15426	1
4	RH Burner Can Assembly	GZ15355	GZ15427	1
5	Burner Tray and Mesh Assembly	GZ15347		1
6	Burner Infill	GZ14950		1
7	Injector Seal	CE1738		3
8	Control Assembly	GZ15352N	GZ15352P	1
9	Module Cover	GZ15486		1
10	Black Glass Rear Panel Assembly	991-202		1
	Ledgestone Rear Panel	991-174		1
	Brick Effect Rear Panel	991-166		1
11	Lower Lining Retainer Bracket	GZ15293		2
12	Ropeseal	FA0758		1
13	Front Viewing Glass	CE1915		1
14	Cam Lock Brackets	GZ15061		7
15	Lower Front Glass Retainer	GZ15611		1
16	Decorative Base Trim Cover	GZ15059		1
17	Amber Crushed Glass	CE1737		1
18	UK Mains Lead (2M)	EL0673		1
19	Earth Cable	EL0051		1

No.	Component	Part Code		Qty.
		Natural Gas	LPG	
20	Hand Tool	GZ15428		1
21	Instruction Kit	GZ15626		1
22	Decorative Side Trim Cover	GZ14962		1
23	Rear Side Glass Retainer	GZ15609		1
24	Side Viewing Glass	CE1916		1
25	Spring Clip	FA0771		2
26	Upper & Lower Side Glass Retainer	GZ15608		4
27	Corner Standoff - 1st Position	GZ15057		1
28	Corner Standoff - 2nd Position	GZ15127		1
29	Corner Cover Infill trim	GZ15058		1
30	Side Infill Rope Seal	FA0768		1
31	Side / Corner Infill Assembly	GZ15390		1
32	Black Glass Side Panel Assembly	GZ15349		1
	Ledgestone Side Panel	CE1996		1
	Brick Effect Side Panel	CE1994		1
33	Side Lining Support	GZ15214		1
34	Side Glass Lining Retainer	GZ15496		1
35	Upper Lining Retainer Bracket	GZ15294		2
36	Inner Baffle	GZ14951		1
37	Upper Front Glass Retainer	GZ15610		1

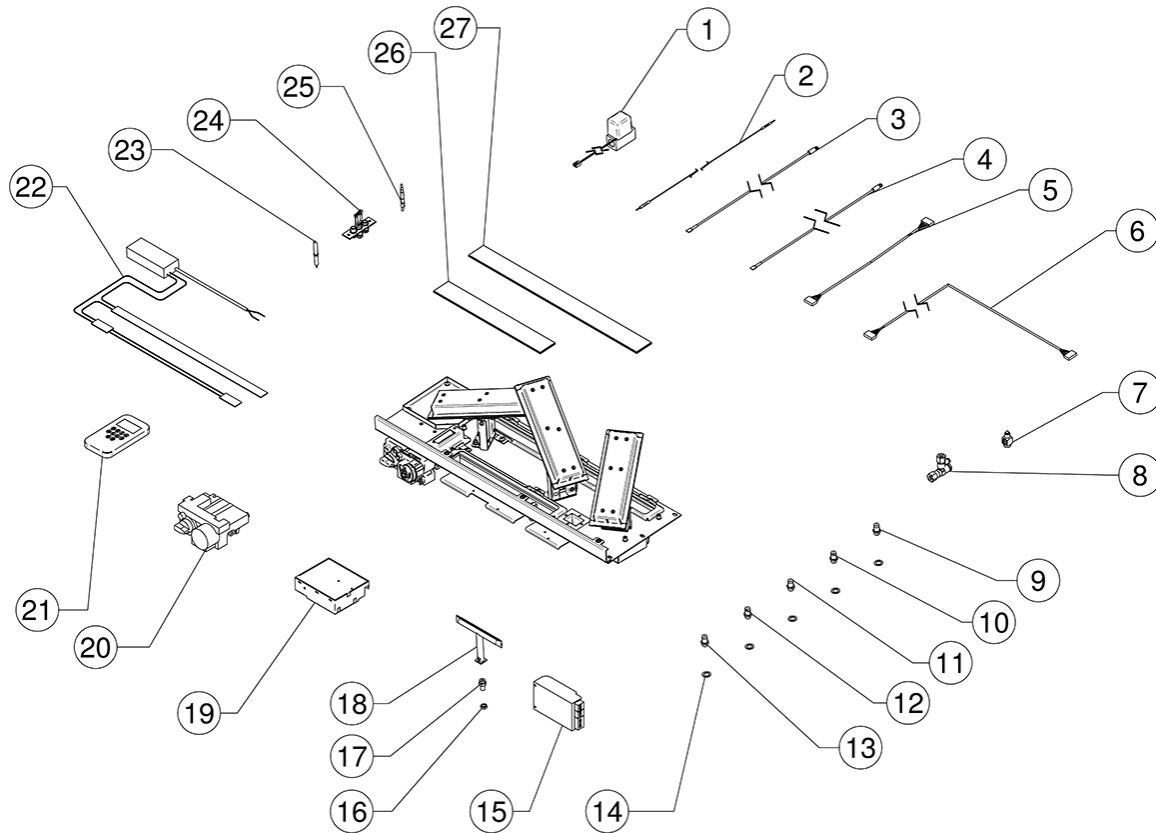


Due to continual technical improvements please check online or with your Gazco retailer for the most up to date parts lists.

Only use Genuine Gazco spares when servicing your appliance.

All of our essential spare parts and consumable items are available to purchase from our webshop at [www.gazcospares.com](http://www.gazcospares.com).

## REFLEX 75T CONTROL ASSEMBLY



No.	Component	Part Code		Qty.
		Natural Gas	LPG	
1	Latching Solenoid Valve	EL0563		1
2	Ignition Cable	GC0125		1
3	Thermo Current Cable	GC0126		1
4	Thermo Current Cable	EL0590		1
5	Mertic Module Cable	EL0566		1
6	360mm Connection Cable	GC0133		1
7	Thermocouple Interrupter	GC0124		1
8	Pressure Test Restrictor Elbow	GC0095		1
9	Straight Injector	IN0081	IN0089	NG: 1 LPG: 2
10	Straight Injector	IN0087	IN0088	NG: 1 LPG: 3
11	Straight Injector	IN0097	IN0098	1
12	Straight Injector	IN0085	N/A	1
13	Straight Injector	IN0084	N/A	1
14	1/8 BSP Fibre Washer	FA0735		6

No.	Component	Part Code		Qty.
		Natural Gas	LPG	
15	Power Module Box	EL0672		1
16	M8x1 Fine Thread Brass Locknut	FA0740		1
17	Cross Lighting Injector	IN0092	IN0093	1
18	Cross Lighting Burner	GC0180		1
19	Receiver	EL0697		1
20	Control Valve	GC0123		1
21	Thermostatic Handset	EL0655		1
22	LED & Wiring Loom	EL0671		1
23	Electrode	PI0075		1
24	Pilot with Injector	PI0069	PI0070	1
25	Thermocouple	PI0074		1
26	Front Glass LED Cover	CE1786		1
27	Rear Glass LED Cover	CE1855		1



Due to continual technical improvements please check online or with your Gazco retailer for the most up to date parts lists.

Only use Genuine Gazco spares when servicing your appliance.

All of our essential spare parts and consumable items are available to purchase from our webshop at [www.gazcospares.com](http://www.gazcospares.com).

# INFORMATION REQUIREMENT - GAS HEATERS

## INFORMATION REQUIREMENT FOR GASEOUS FUEL LOCAL SPACE HEATER

Model		Reflex 75T Multi-sided BF NG	Reflex 75T Multi-sided BF LPG
Fuel	Space Heating Emissions (NOx) - mg / kWh <sub>input</sub> (GCV)	130	130
Heat Output	Nominal Heat Output - P <sub>nom</sub>	8.7kW	8.5kW
	Minimum Heat Output (indicative) - P <sub>min</sub>	3.0kW	3.0kW
Auxiliary Electricity Consumption	At Nominal Heat Output - e <sub>l,max</sub>	0.003kW	0.003kW
	At Minimum Heat Output - e <sub>l,min</sub>	0.003kW	0.003kW
	In Standby Mode - e <sub>l,SB</sub>	0.003kW	0.003kW
Useful Efficiency (NCV)	Useful Efficiency at nominal heat output - $\eta_{th,nom}$	92.0%	92.0%
	Useful Efficiency at minimum heat output (indicative) - $\eta_{th,min}$	82.0%	82.0%
Permanent Pilot Flame Power requirement	Permanent Pilot Flame Power requirement (if applicable) - P <sub>pilot</sub>	N/A	N/A
<b>Type of heat output/room temperature control</b>			
	Electronic room temperature control + day timer	Yes	Yes
<b>Other control options (multiple selections possible)</b>			
	Room temperature control, with presence detection	No	No
	Room temperature control, with open window detection	No	No
	With distance control option	No	No
	With adaptive start control	No	No
	With working time limitation	No	No
	With black bulb sensor	No	No
	<b>Energy Efficiency Index</b>	<b>88.8%</b>	<b>88.8%</b>
	<b>Energy Efficiency Class</b>	<b>A</b>	<b>A</b>
Contact:	Gazco Ltd, Osprey Road, Sowton Industrial Estate, Exeter, EX2 7JG		

## 1ST SERVICE

Date of Service:.....

Next Service Due:.....

Signed:.....

Retailer's Stamp/GasSafe Registration Number

## 2ND SERVICE

Date of Service:.....

Next Service Due:.....

Signed:.....

Retailer's Stamp/GasSafe Registration Number

## 3RD SERVICE

Date of Service:.....

Next Service Due:.....

Signed:.....

Retailer's Stamp/GasSafe Registration Number

## 4TH SERVICE

Date of Service:.....

Next Service Due:.....

Signed:.....

Retailer's Stamp/GasSafe Registration Number

## 5TH SERVICE

Date of Service:.....

Next Service Due:.....

Signed:.....

Retailer's Stamp/GasSafe Registration Number

## 6TH SERVICE

Date of Service:.....

Next Service Due:.....

Signed:.....

Retailer's Stamp/GasSafe Registration Number

## 7TH SERVICE

Date of Service:.....

Next Service Due:.....

Signed:.....

Retailer's Stamp/GasSafe Registration Number

## 8TH SERVICE

Date of Service:.....

Next Service Due:.....

Signed:.....

Retailer's Stamp/GasSafe Registration Number

## 9TH SERVICE

Date of Service:.....

Next Service Due:.....

Signed:.....

Retailer's Stamp/GasSafe Registration Number

## 10TH SERVICE

Date of Service:.....

Next Service Due:.....

Signed:.....

Retailer's Stamp/GasSafe Registration Number

**Gazco Limited, Osprey Road, Sowton Industrial Estate, Exeter, Devon, England EX2 7JG**  
**Technical Customer Services: (01392) 261950 Fax: (01392) 261951**  
**E-mail: [technicalservices@gazco.com](mailto:technicalservices@gazco.com)**

A member of the Stovax Group  
E & O E