



Fire Your Imagination

Reflex 105

**Inset Convector Fire Range - Balanced Flue
with Harmony 10 Remote Control System**



Installation Instructions

IMPORTANT

THE OUTER CASING, FRONT AND GLASS PANEL BECOME EXTREMELY HOT DURING OPERATION AND WILL RESULT IN SERIOUS INJURY AND BURNS IF TOUCHED. IT IS THEREFORE RECOMMENDED THAT A FIREGUARD COMPLYING WITH BS 8423 (LATEST EDITION) IS USED IN THE PRESENCE OF YOUNG CHILDREN, THE ELDERLY OR INFIRM.

For use with 230V 50Hz electricity supply only.

This product contains heat resistant glass panels. These panels should be checked during Installation and at each servicing interval. If any damage is observed on the faces of the glass panels (scratches, scores, cracks or other surface defects), the glass panels must be replaced and the appliance must not be used until a replacement is installed. Under no circumstances should the appliance be used if any damage is observed, the glass panels are removed or broken.

THIS APPLIANCE MUST BE EARTHED

PR2691.6.11.2019

CONTENTS

Reflex 105 8" Balanced Flue Model

Covering the following models:

Reflex 105	
Nat Gas	191-199
LPG	191-714

Appliance Commissioning Checklist	3
Installation Instructions	4
Technical Specifications	7
Installation	10
Commissioning	35
Servicing Instructions.....	36
Fault Finding.....	36
How to Replace Parts	39
Spare Parts List.....	51
Information Requirement - Gas Heaters	54
Service Records	55



It is a requirement of the Building Regulations 2010 that the installation of this appliance is notified to the Local Authority. It is the responsibility of the GasSafe registered installer to carry out this notification to the Local Authority via the GasSafe register Competent Persons Scheme in England and Wales (different rules apply in Scotland and Northern Ireland).

When the installation has been notified, GasSafe will send a Building Regulations Compliance Certificate to you containing details of the work completed. Please ensure that the person responsible for the installation of this appliance completes this notification and records it in the Appliance Commissioning Checklist on page 3.

IT IS YOUR RESPONSIBILITY TO COMPLY WITH THE BUILDING REGULATIONS AND BE ABLE TO PRODUCE THIS CERTIFICATE SHOULD IT BE REQUIRED IN THE FUTURE.

APPLIANCE COMMISSIONING CHECKLIST

To assist us in any guarantee claim please complete the following information:-

IMPORTANT NOTICE

Explain the operation of the appliance to the end user, hand the completed instructions to them for safe keeping, as the information will be required when making any guaranteed claims.

FLUE CHECK	PASS	FAIL
1. Flue Is correct for appliance		
2. Flue flow Test		
3. Spillage Test		
GAS CHECK		
1. Gas soundness & let by test		
2. Standing gas pressure	mb	
3. Appliance working pressure (on High Setting) Minimum Pressure Requirement: NG - 17.5mbar LPG - 34.5mbar NB All other gas appliances must be operating on full	mb	
4. Gas rate	m ³ /h	
5. Does Ventilation meet appliance requirements		
SAFETY CHECK		
1. Check soundness of the Thermocouple connections - including tightness and lead integrity		
2. Glass checked to ensure no damage, scratches, scores or cracks		
3. Glass frame secured correctly and all screws replaced		
BUILDING CONTROL NOTIFICATION	YES	NO
1. Installer notified GasSafe/Local Authority of installation via Competent Persons Scheme?		

RETAILER AND INSTALLER INFORMATION

Retailer

Installation Company

.....

.....

.....

.....

Contact No.....

Engineer.....

Date of Purchase

Contact No.....

Model No.

GasSafe Reg No.

Serial No.....

Date of Installation

Gas Type

INSTALLATION INSTRUCTIONS

INSTALLATION

APPLIANCE LOCATION

This appliance must not be installed in a room that contains a bath or shower.

Combustible parts of the studwork must not be any closer than the minimum dimensions shown in the diagrams. NOTE: These dimensions must be maintained even if the combustible materials is protected by non-combustible linings.

Do not pack the void around or above the appliance with insulation materials such as mineral wool.

Ventilation

The void into which the cassette is fitted must be ventilated to prevent a build up of heat. If the void is sealed then it will be necessary to fit vents at both low and high levels of both sides **with a cut size of 300cm² each**. These vents should take cold air from the room and return warm air back into the room.

Gazco recommend using DuctStore W100 Linear Bar Grille vents or equivalent (available online).
DO NOT USE PLASTIC VENTS.

A removable access hatch must be left in the side of the chimney breast for future servicing and inspection of the appliance.

Build the studwork chimney breast to the desired size. Ensure that the clearances to combustible materials is maintained.

SAFETY PRECAUTIONS

For your own and other's safety, you must install this appliance according to local and national codes of practice. Failure to install the appliance correctly could lead to prosecution. **Read these instructions before installing and using this appliance.**

These instructions must be left intact with the user.

Do not attempt to burn rubbish on this appliance.

Keep all plastic bags away from young children.

Do not place any object on or near to the appliance and allow adequate clearance above the appliance.

IF THE APPLIANCE IS EXTINGUISHED OR GOES OUT IN USE, WAIT 3 MINUTES BEFORE ATTEMPTING TO RELIGHT THE APPLIANCE.

The appliance is fitted with an oxygen sensitive pilot that will act to cut off the gas supply to the appliance in the event of incorrect operation of the flue.

If the system acts to shut off the gas supply, this indicates that there is insufficient flue pull. Continued operation of this safety device means that there may be a serious problem with the flue system, and this should be inspected by a qualified gas engineer.

Do not use the appliance until an engineer says it is safe to do so.

The oxygen sensitive pilot must not be tampered with. Use only genuine Gazco replacement parts when servicing the appliance - refer to Servicing section.



IMPORTANT: REFER TO DATA BADGE AND TECHNICAL SPECIFICATION AT THE FRONT OF THE MANUAL TO ENSURE THE APPLIANCE IS CORRECTLY ADJUSTED FOR THE GAS TYPE AND CATEGORY APPLICABLE IN THE COUNTRY OF USE.

FOR DETAILS OF CHANGING BETWEEN GAS TYPES REFER TO SERVICING SECTION REPLACING PARTS.

UNPACKING

Remove the appliance from its packaging, and check that it is complete and undamaged.

Put the loose ceramic parts to one side so that they are not damaged during installation.

FLUE & CHIMNEY REQUIREMENTS

Note: This appliance must only be installed with the flue supplied.

The following must be adhered to:

The flue must be sited in accordance with BS5440: Part 1 (latest edition).

Fit a guard to protect people from any terminal less than 2 metres above any access such as level ground, a balcony or above a flat roof.

All vertical and horizontal flues must be securely fixed and fire precautions followed in accordance with local and national codes of practice.

Two types of flue terminals are available, horizontal and vertical.

To measure for a horizontal terminal decide on the terminal position.

Measure the height from the top of the appliance to the centre of the required outlet.

For minimum and maximum flue dimensions see relevant sections.

Allow enough room either above or to the side of the appliance to assemble the flue on top.

Assemble a horizontal flue in the following order:

- Vertical section
- 90° elbow
- Horizontal plus terminal

Support the opening of a masonry installation with a lintel.

Only the horizontal terminal section can be reduced in size.

TIMBER FRAMED BUILDINGS

It will be necessary to provide additional clearance when the flue passes through a wall containing any combustible materials so as to prevent a fire hazard.

The hole through which the flue will pass, must have a steel sleeve which is positioned so that an air gap of at least 25mm is maintained between the outer surface of the flue, and any part of the sleeve.

For further guidance on the installation of gas appliances in timber framed buildings, contact your local buildings control authority.

GAS SUPPLY

This appliance is intended for use on a gas installation with a governed meter.

Make sure local distribution conditions (identification of the type of gas and pressure) and the adjustment of the appliance are compatible before installation.

Ensure the gas supply delivers the required amount of gas and is in accordance with the rules in force.

Soft copper tubing can be used on the installation and soft soldered joints outside the appliance.

A factory fitted isolation device is part of the inlet connection; no further isolation device is required.

All supply gas pipes must be purged of any debris that may have entered prior to connection to the appliance.

The gas supply enters through the Silicone Panel located on the REAR side of the outer box BASE. Slit with a sharp knife prior to passing the supply pipe through.

The gas supply must be installed in a way that does not restrict the removal of the appliance for servicing and inspection.

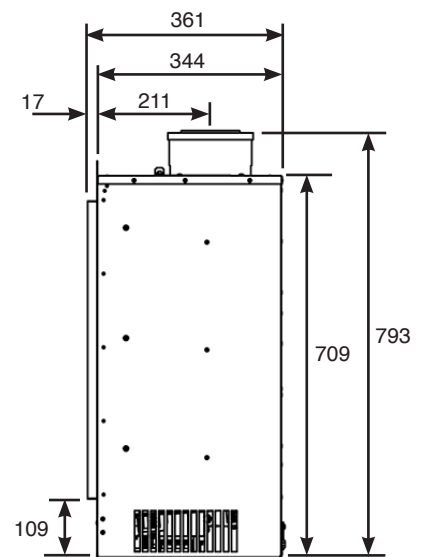
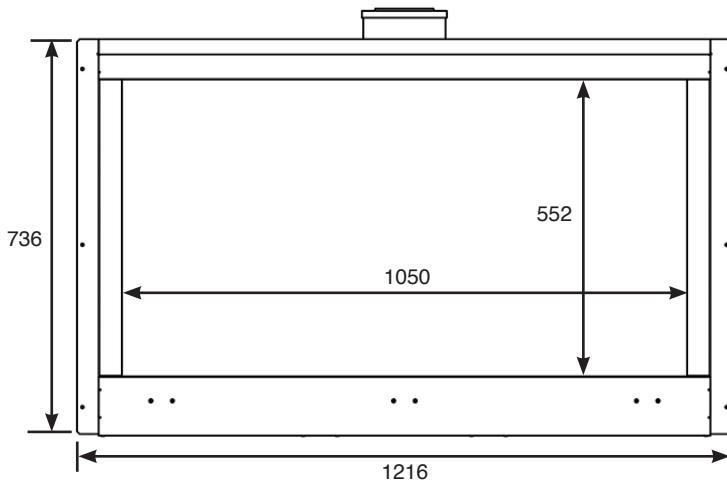
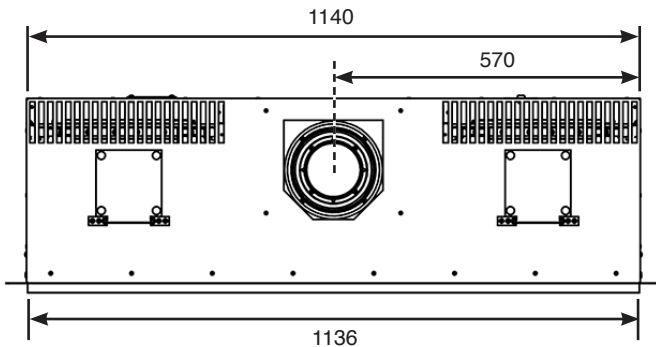
VENTILATION

The installation of this product requires no additional ventilation modifications to the building.

However, it will be necessary to ensure the housing for the appliance has vents provided to allow air to circulate and prevent overheating.

INSTALLATION INSTRUCTIONS

DIMENSIONS



This appliance has been certified for use in countries other than those stated. To install this appliance in these countries, it is essential to obtain the translated instructions and in some cases the appliance will require modification. Contact Gazco for further information.



NOTE: This product is designed for and requires an 8" flue system. It is essential when ordering flue kits and additional parts to quote the appliance serial number.

PACKING CHECKLIST

Qty. Description	Fixing kit containing
1 x Cassette assembly	1 x Instruction manual
1 x Burner assembly	6 x Woodscrews
1 x Set of lining panels	6 x Wall plugs
1 x Log set	1 x Self adhesive foam strip
1 x Large Ember	1 x Handset
1 x Pilot Ember	2 x AAA cell batteries
2 x Small Embers	
1 x Shale Effect pack	
1 x Amber Effect pack	

INSTALLATION INSTRUCTIONS

TECHNICAL SPECIFICATION

Covering the following models:

Reflex 105	
Nat Gas	191-199
LPG	191-714

Model	Gas CAT.	Gas Type	Working Pressure	Gas Rate m ³ /h	Input kW (Gross)		Country
					High	Low	
Reflex 105	I ₂ H	Nat Gas G20	19mb	1.14	12.0	5.6	GB, IE
Reflex 105	I ₃₊	Propane G31	36mb	0.44	12.0	5.6	
Efficiency Class 1 - 92 % / NO_x Class 4							
Flue Outlet Size Ø 130mm							
Flue Inlet Size Ø 200mm							
Gas Inlet Connection Size Ø 8mm							

Power Supply: A 230V +/- 10% - 50Hz
 Maximum power consumption: 9 Watts
 Operating Temperature: 0°C - 25°C

THIS APPLIANCE MUST BE EARTHED

A 2 metre lead with plug containing a 3 amp fuse is supplied. Only use a 3 amp fuse with this appliance.

i The net efficiency of this appliance has been measured as specified in EN613:2001 and the result after conversion to gross using the appropriate factor from Table E4 of SAP 2012 is 82.9%. The test data has been certified by Kiwa Nederland BV. The gross efficiency value may be used in the UK Government's Standard Assessment Procedure (SAP) for energy rating of dwellings.

Restrictor Tables

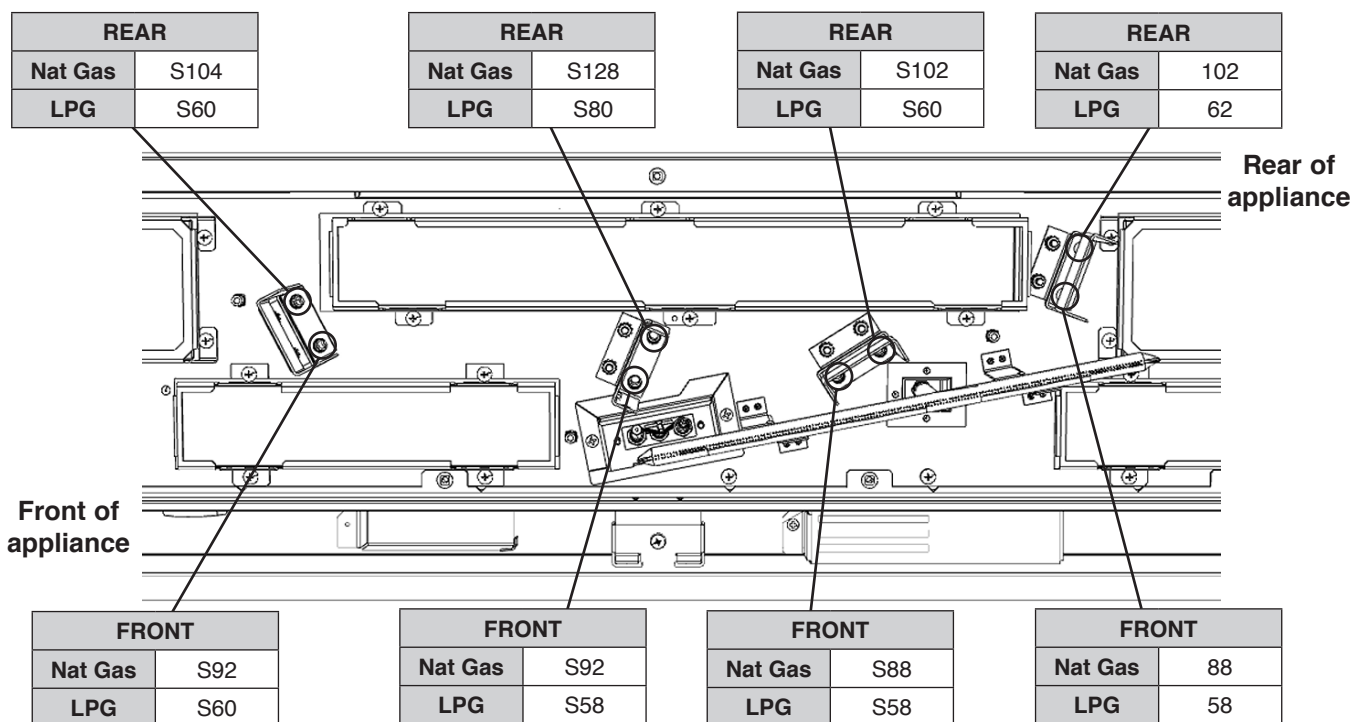
RESTRICTOR REQUIREMENT - VERTICAL & HORIZONTAL FLUE SPECIFICATION		
Reflex 105		
Vertical flue height from top of appliance	Horizontal length	Restrictor size
1000mm - 1999mm	up to 3500mm	N/A
2000mm - 3000mm	up to 6500mm	N/A

TOP EXIT - VERTICAL ONLY INCLUDING OFFSET (8" with 6" adapter)	
Vertical flue height from top of appliance	Restrictor size
1500mm - 1999mm	75mm
2000mm - 4999mm	70mm
5000mm - 10000mm	60mm

INSTALLATION INSTRUCTIONS

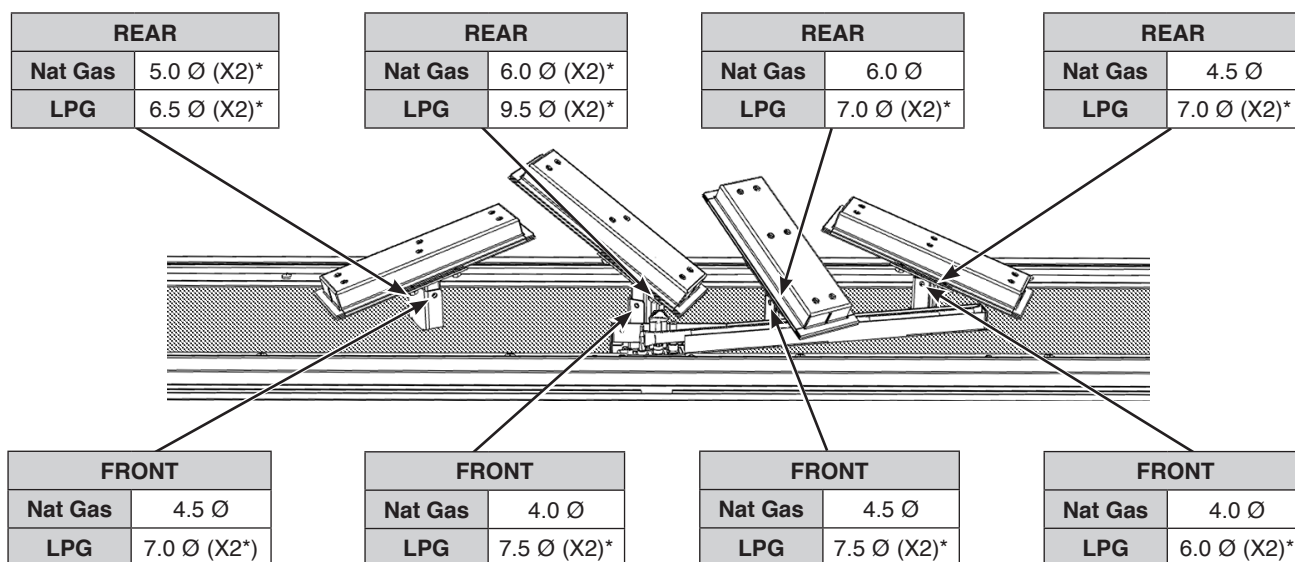
TECHNICAL SPECIFICATION

Injector Table



Aeration Table

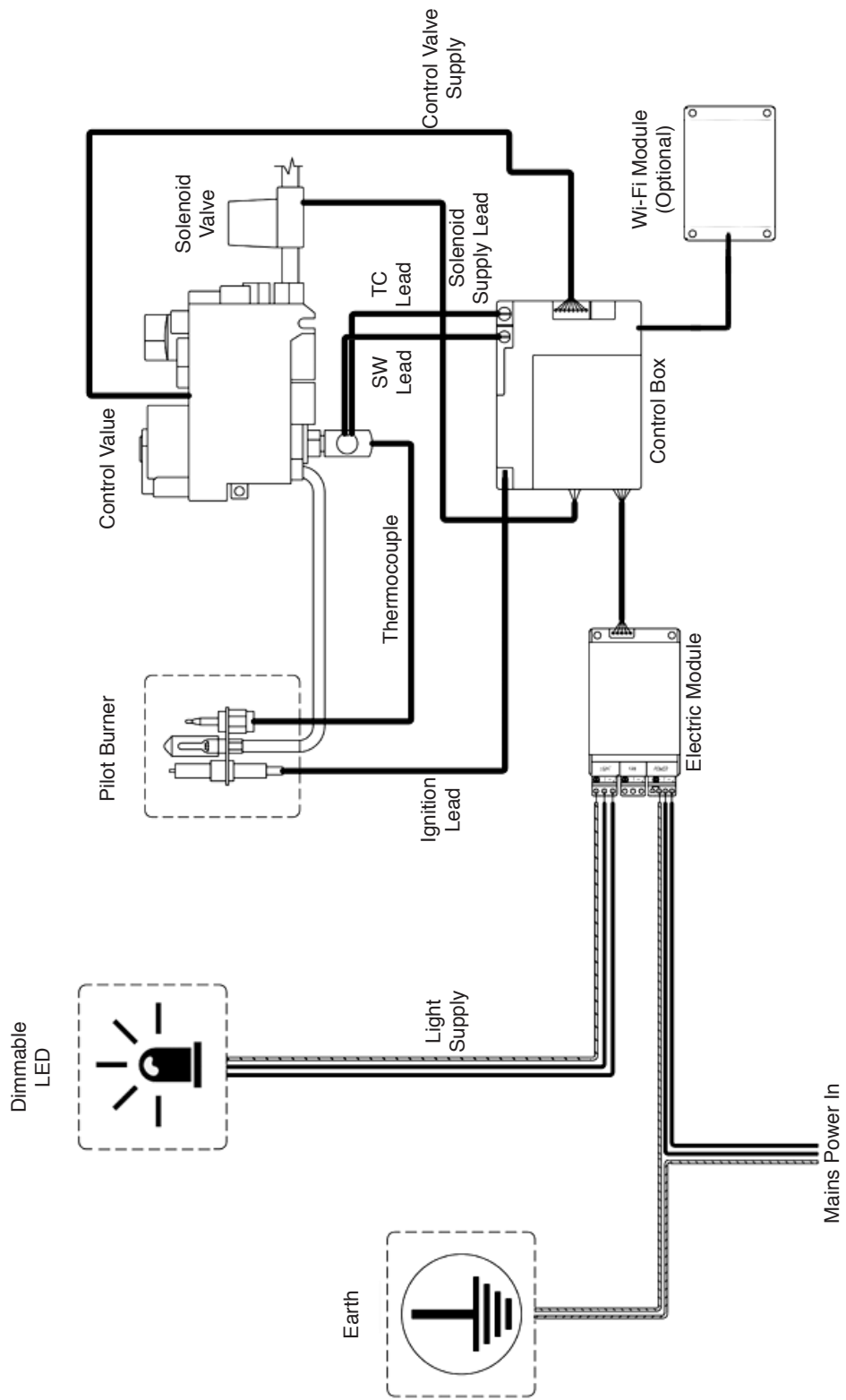
NOTE: Aeration Holes are in each leg of the burners. These holes are different sizes at the Front and Back for each individual leg.



*(X2) indicates that a hole is necessary in each side of the leg.

INSTALLATION INSTRUCTIONS

WIRING DIAGRAM



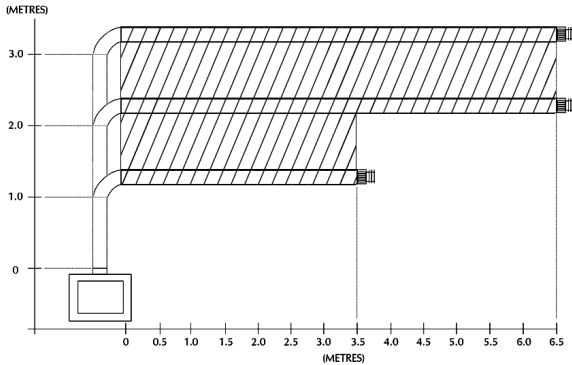
INSTALLATION INSTRUCTIONS

FLUE OPTIONS

8" TOP FLUE UP AND OUT KIT (999-333/999-333AN)



NOTE: This product is designed for and requires an 8" flue system. It is essential when ordering additional parts to consult table 1 for the relevant part numbers.



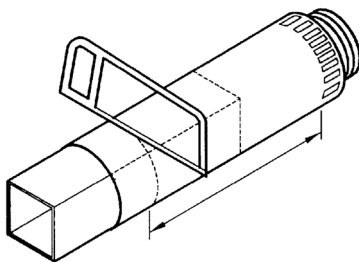
Start of bend to centre line of horizontal flue 198mm. Centre line of vertical flue to end of bend 248mm.

Vertical from the top of the appliance then horizontally out, see Diagram. The basic kit comprises:

- 1 x Horizontal Flue Terminal
- 1 x 1000mm Length
- 1 x 90 Degree Elbow
- 1 x Wall Plate
- 4 x Fixing Screw

This kit provides the minimum materials. Extra lengths can be added to the vertical and horizontal sections; see table 1 - 8".

Refer to Installation Instructions, Technical Specification on page 7 to identify when to use a restrictor.



Decide on the terminal position.

Measure the height from the finished hearth level/base of the appliance to the centre of the required hole.

A masonry installation requires the addition of a suitable lintel to support the opening. Refer to Installation Instructions, Technical Information for details of the flue length.

NOTE - Carefully consider:

- a) Terminal positions
- b) Flue supports
- c) Weatherproofing
- d) Fire precautions

For all the above options, you must conform to local and national codes of practice.

Use only Gazco supplied flue on this appliance.

A guard (supplied) must be fitted to any terminal less than 2 metres above any access such as level ground, a balcony or above a flat roof.



This Gazco balanced flue system is designed to run internally with only the terminal projecting from the building.

INSTALLATION INSTRUCTIONS

FLUE OPTIONS

6" TOP FLUE VERTICAL KIT (999-352/999-352AN)



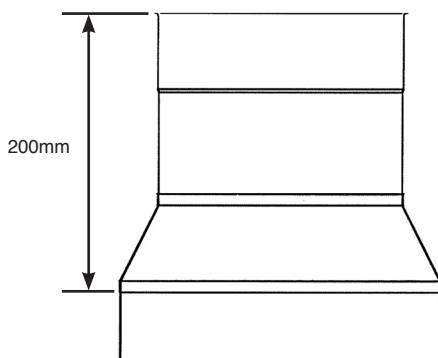
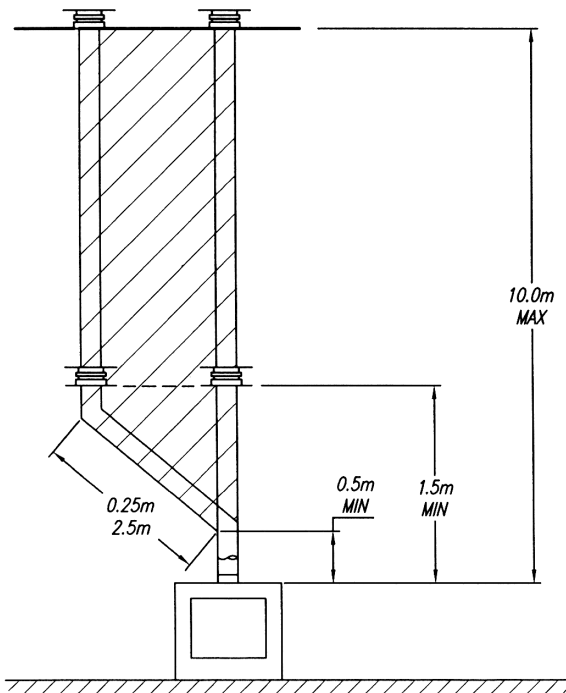
NOTE: This product when fitted with an adapter is designed for and requires an 6" flue system. It is essential when ordering additional parts to consult table 2 for the relevant part numbers.

This flue is vertical from the top of the appliance. A minimum vertical rise of 1.5m (4'92") to a maximum of 10m (32'10"). The basic kit comprises:

- 1 x 8" to 6" Adapter
- 1 x 500mm Length
- 1 x 1m Terminal Length
- 1 x 60mm Restrictor
- 1 x 70mm Restrictor
- 1 x 75mm Restrictor

Extra lengths may be added from table 2 in Section 3.

Fit the adapter prior to connecting the flue pipe.



This Gazco balanced flue system is designed to run internally with only the terminal projecting from the building.

TOP FLUE VERTICAL OFFSET KIT (8530/8530AN)

Used with kit 999-352. A minimum rise of 500mm (191/2) is required to the first bend.

OPTIONAL EXTRA FLUE LENGTHS AND BENDS

TABLE 1 - 8"			
NOMINAL LENGTH	ACTUAL LENGTH	STAINLESS FINISH	ANTHRACITE FINISH
200mm	140mm	999-113	999-113AN
500mm	440mm	999-132	999-132AN
1000mm	940mm	999-177	999-177AN
Adjustable Length		999-255	999-255AN

TABLE 2 - 6"			
NOMINAL LENGTH	ACTUAL LENGTH	STAINLESS FINISH	ANTHRACITE FINISH
200mm*	140mm*	8527	8527AN
500mm*	440mm*	8528	8528AN
1000mm*	940mm*	8529	8529AN

*Not including adapter dimensions

NOTE: The following areas need careful consideration.

- a) Terminal positions
- b) Flue supports
- c) Weatherproofing
- d) Fire precautions

For all the above options, local and national codes of practice must be adhered to.



IMPORTANT:
1M VERTICAL, TERMINAL AND STRAIGHT FLUE LENGTHS MUST NOT BE CUT!

INSTALLATION INSTRUCTIONS

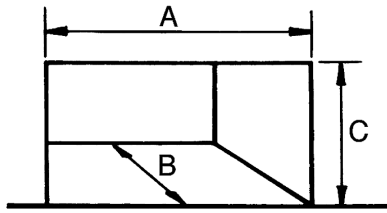
APPLIANCE LOCATION



If fitting this appliance with a decorative frame it cannot be installed with the base of the appliance less than 150mm from the floor level. The frame requires a minimum clearance to allow air to circulate.

If this appliance is fitted less than 225mm from the floor, then it will require a hearth to protect the floor. The hearth should have a minimum dimension of 12mm thick, projecting 225mm in front and 150mm either side of the appliance.

Minimum opening dimensions:.

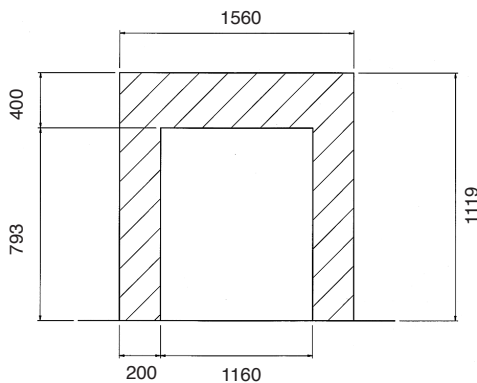


DIMENSION	Reflex 105
A	1160mm
B	444mm
C	793mm

This appliance must not be installed in a room that contains a bath or shower.

NOTE: If using natural materials for the back panel of the fireplace, it is recommended that it is constructed from three or more sections to prevent cracking. Resin based materials may not be suitable. This appliance is an effective heat producer and attention must be paid to the construction and finish of the fireplace.

This appliance is not suitable for installation onto a combustible wall; all combustible materials must be removed from the area shown.



Decorative Surround

If fitting this appliance with a decorative surround refer to separate installation instructions supplied with the Surround.



This appliance is designed so that non-combustible board can be taken right up to the edge of the flange.

Whether finishing with an edge effect or with a decorative frame this appliance **must** be installed using the Edge Installation method.

STUDWORK INSTALLATION

If a studwork installation is used (eg. wooden framework and plasterboard), combustible parts of the studwork must not be any closer than the minimum dimensions shown in the diagrams. NOTE: These dimensions must be maintained even if the combustible materials is protected by non-combustible linings.

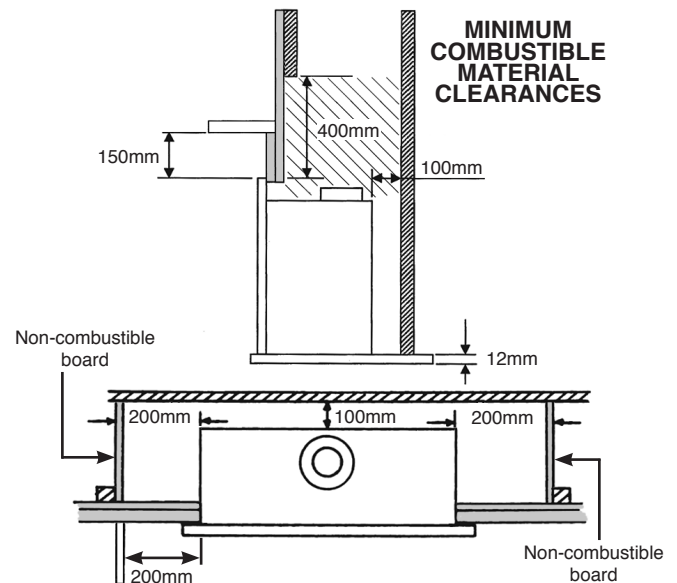
Do not pack the void around or above the appliance with insulation materials such as mineral wool.

The void built for the cassette must be ventilated to prevent a build-up of heat. Vents must be fitted at both high and low levels of a minimum of 300cm² each. These vents must take cold air from the room and return warm air back into the room.

A removable access hatch must be left in the side of the chimney breast for future servicing and inspection of the appliance.

Build the studwork chimney breast to the desired size. Ensure that the clearances to combustible materials is maintained.

PROTECT THE NEAREST STUDWORK WITH NON-COMBUSTIBLE MATERIAL AND MAINTAIN THESE DIMENSIONS AT ALL TIMES.



DISTANCE TO NON-COMBUSTIBLE OR COMBUSTIBLE MATERIAL

TO CREATE ENOUGH CLEARANCE FOR THE TOP VENTS TO OPEN. IT IS IMPORTANT THAT NO PART OF THE STUDWORK (COMBUSTIBLE OR NOT) IS BUILT WITHIN 400MM OF THE TOP OF THE BOX.

It is recommended that a marble slip or similar material is used when fitting cassette fireplaces into a plastered surface, in order to allow for heat dissipation. Also allow adequate time for newly plastered areas to dry out. Rapid drying can create cracks. If in doubt, seek the advice of a professional plasterer.

Parts of this appliance become hot during normal use. It is therefore recommended that a suitable fire guard be used for protection of young children and the infirm.

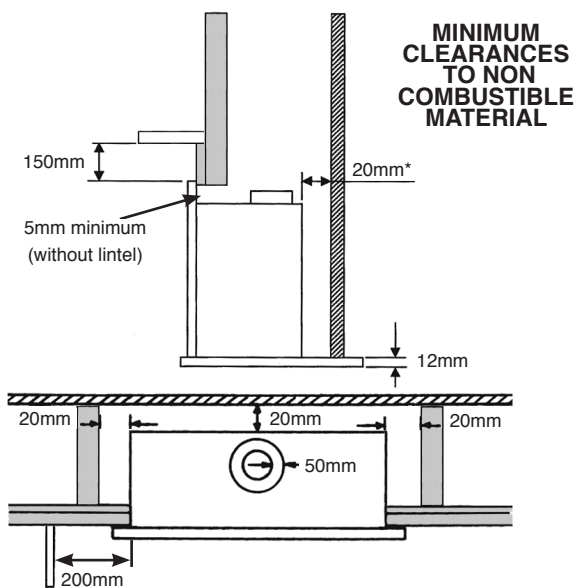
MASONRY INSTALLATION

Please note this appliance has been primarily designed for studwork applications. However, there are circumstances where the appliance could be installed in a block or brickwork fireplace using different methods and materials for the final effect.

THIS VOID MUST BE VENTED TO PREVENT HEAT BUILD UP AROUND THE APPLIANCE.

This appliance is not suitable for installation onto a combustible wall. Remove all combustible material from the area shown.

Create a Builders Opening in chimney breast to the required size. Ensure that the clearances to combustible materials is maintained.



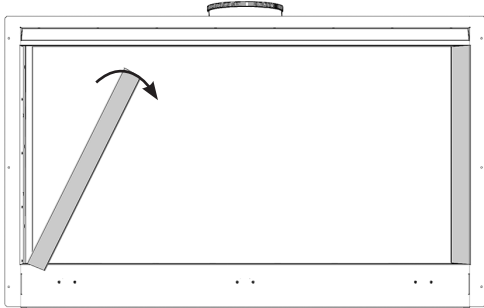
*** NOTE:** It will be necessary to leave a greater rear clearance around the plug cabling to ensure the wires are not damaged or placed under stress following installation.

INSTALLATION INSTRUCTIONS

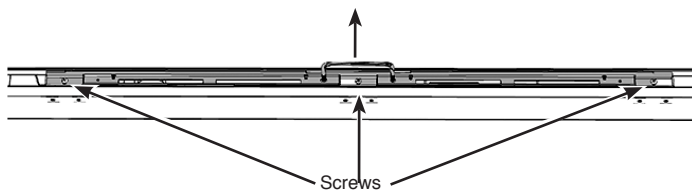
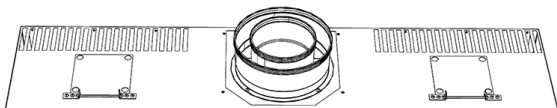
PRE-INSTALLATION

REMOVING THE GLASS FRAME

Remove the glass door by removing the 2 side trims. These are held on by magnets.

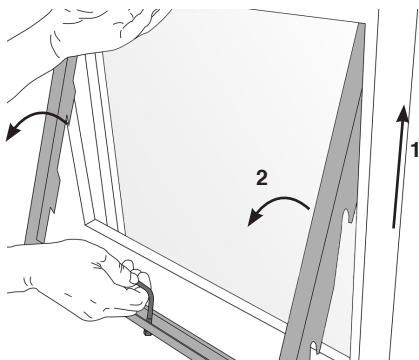


Lift out the bottom slotted trim.



Pull up the handle at the front.

Whilst supporting the top, lift the door using the handle, up and over the lower edge.

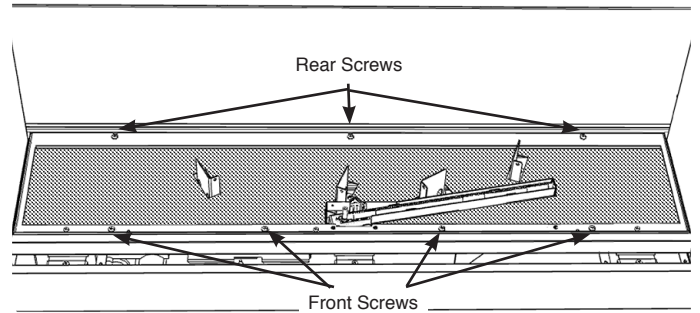


Remove the 2 boxes from the appliance and store safely as they contain the Log Burners and fuel effects.

REMOVING THE MAIN CONTROL ASSEMBLY

The Main Control Assembly will need to be removed to install the gas supply.

Remove the 4 screws from the front of the Mesh Tray.

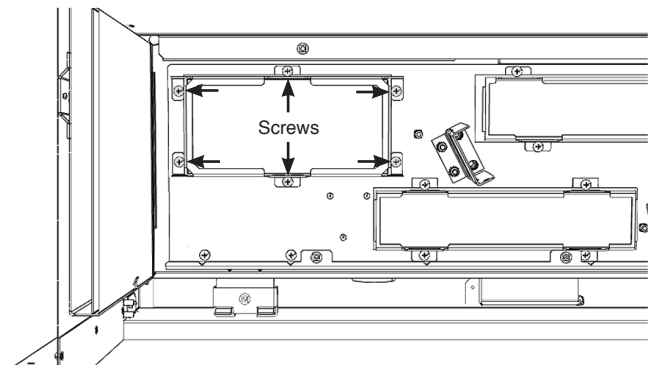


Loosen the 3 screws at the rear of the Mesh Tray.

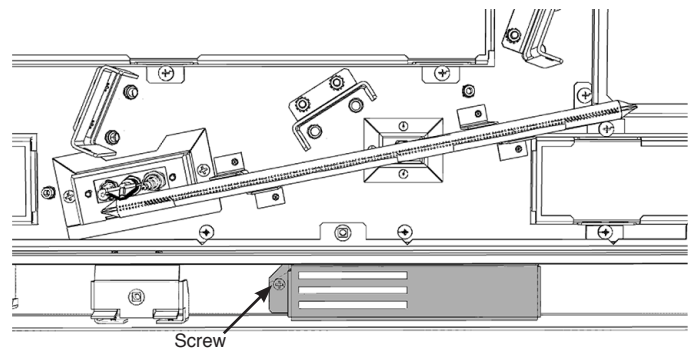
Slide the Mesh Tray forward slightly to disengage from the rear screws and carefully lift over the Log Burner Brackets, Pilot and Cross Lighter.

Remove through the front of the appliance.

Remove the 6 screws to remove the Access Panel.



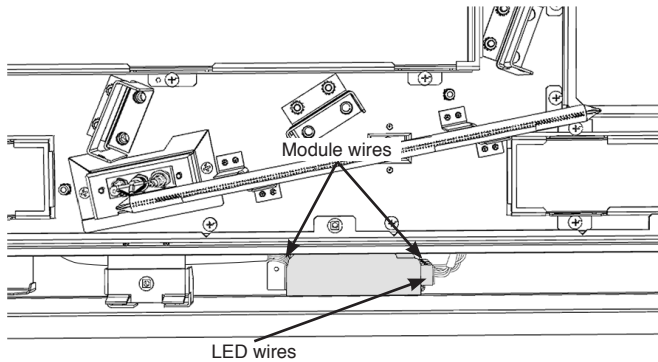
Remove the screw from the module bracket and carefully lift to remove.



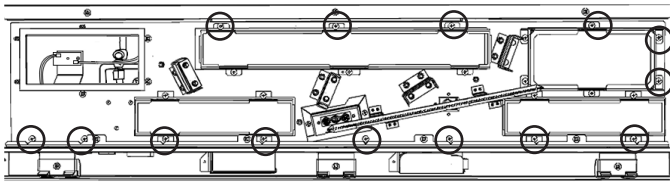
INSTALLATION INSTRUCTIONS

PRE-INSTALLATION

Disconnect the Mains Lead Plug, the LED leads and the receiver lead from the Module and the Wi-Fi box (if installed).
DO NOT REMOVE THE WIRES FROM THE PLUG.



Remove the remaining screws securing the Main Control Assembly to the firebox.

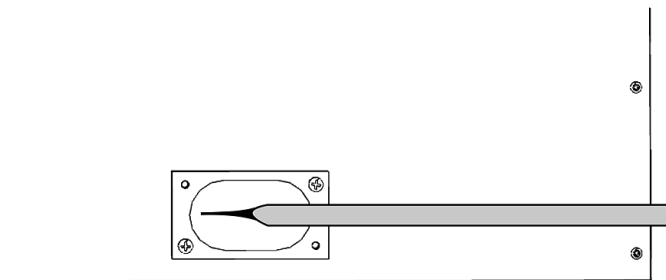


Lift the rear of the Main Control Assembly and rotate upwards slightly to clear the gas valve and remove through the front of the appliance.

NOTE: Take care not to catch any loose wiring previously disconnected against the front edge of the firebox.

Place carefully to one side.

The gas supply enters through the Silicone Panel located on the left-hand rear of the outer box; this will need to be slit with a sharp knife prior to passing the supply pipe through.

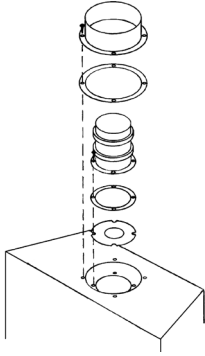


Note: The Isolation Elbow needs to be attached to the gas pipe before installation.

INSTALLATION INSTRUCTIONS

FLUE ASSEMBLY

TAKE CARE WHEN MARKING OUT FOR THE FLUE AS IT IS DIFFICULT TO MOVE AFTER INSTALLATION. IF A RESTRICTOR IS REQUIRED FIT THIS BETWEEN THE SMALL OUTLET SPIGOT AND THE AIR DUCT. REFER TO TECHNICAL SPECIFICATIONS FOR RESTRICTOR SIZE.



A 205mm (8") diameter hole in the wall is required to install the flue. This can be achieved by using either:

- a) Core drill
- b) Hammer and chisel

Drill small holes around the circumference when using method b). Make good both ends of the hole.

Allow enough room either above or to the side of the appliance to assemble the flue on top.

Assemble a horizontal flue in the following order:

- Vertical section
- 90° elbow
- Horizontal plus terminal

Only the horizontal terminal section can be reduced in size.

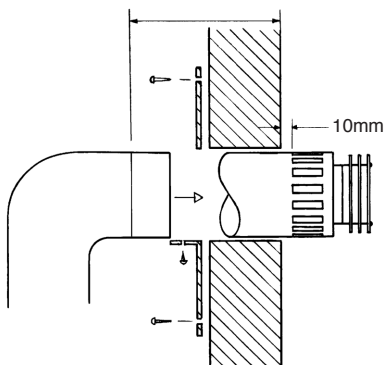
To find the length:

Measure from the outside of the wall to the stop on the 90° elbow.

Add 10mm to the outlet end.

Measure from the edge of the slots closest to the wall.

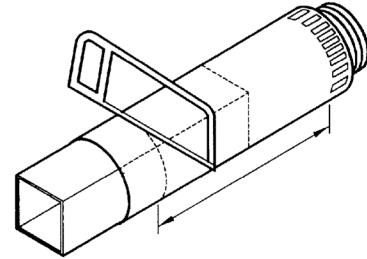
Mark around the flue.



Bend the tab to 90°.

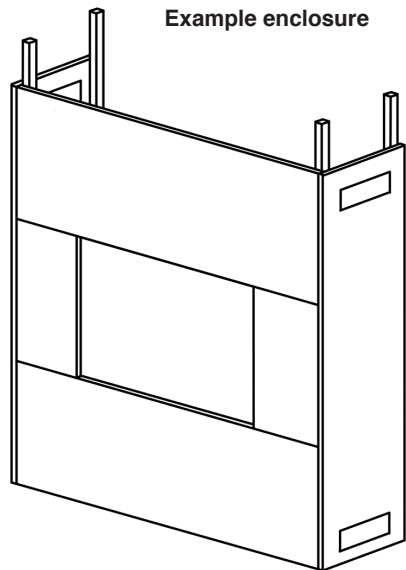
Assemble the plate onto the flue but do not secure to wall until the flue is fully assembled.

The cardboard fitment in the terminal is used to support the flue whilst it is cut to length. **ONCE CUT TO SIZE REMOVE THE CARDBOARD REMNANT.**



INSTALLATION INSTRUCTIONS

ENCLOSURE CONSTRUCTION



VENTILATION

Note: If the lower section of the enclosure is sealed (to the floor or capped if designed as a floating shelf) it will be necessary to provide a vent with a cut size of 300cm² on each side.

If the upper section is sealed (to the ceiling or capped if designed as a floating shelf) it will be necessary to provide a vent with a cut size of 300cm² on each side.

Gazco recommend building the enclosure from the following materials:

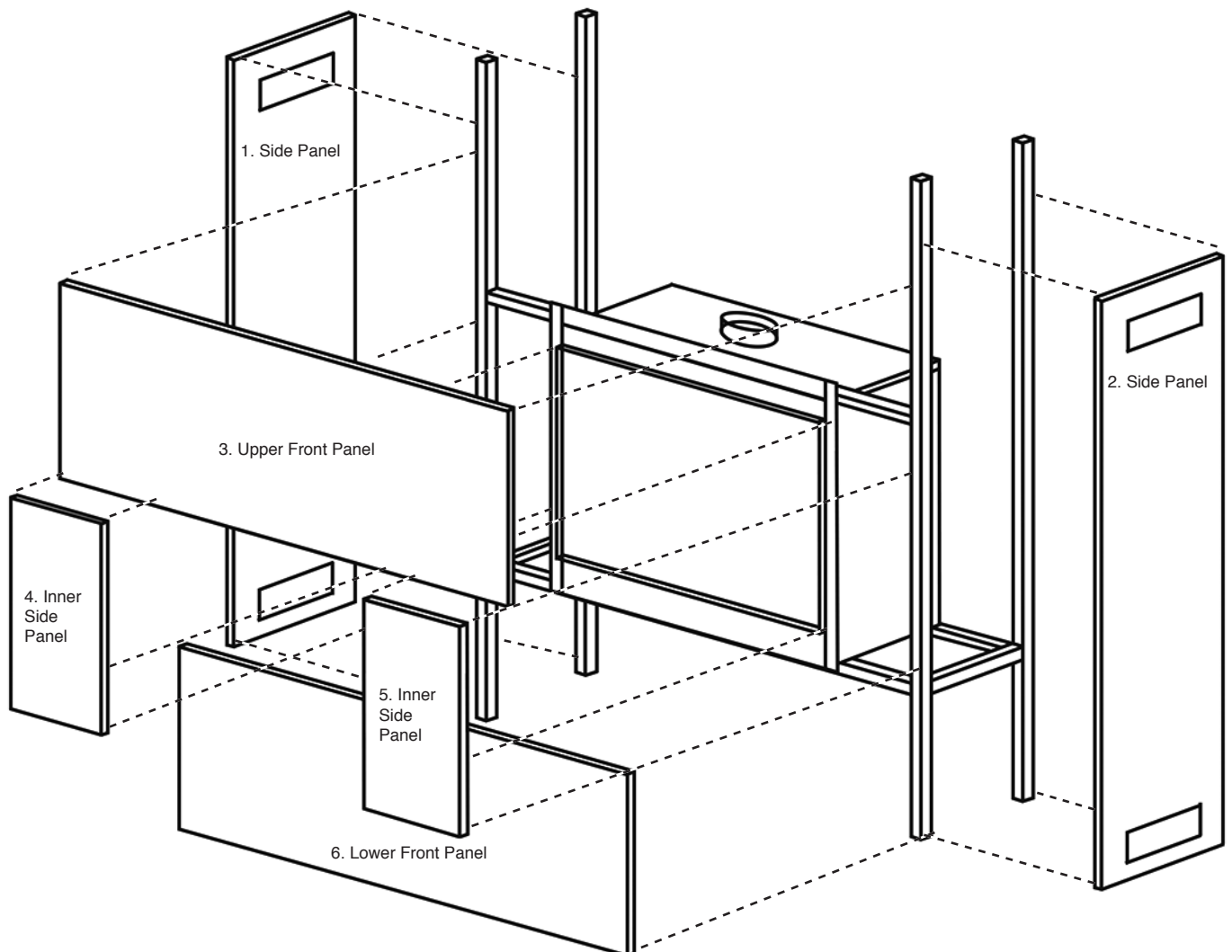
Metal Studwork

Non-combustible board:

Masterboard or Promafour - NOT PINK BOARD

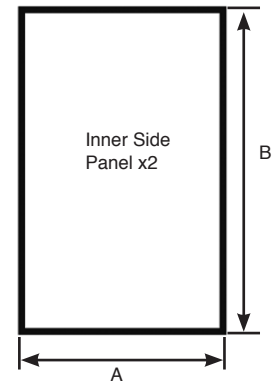
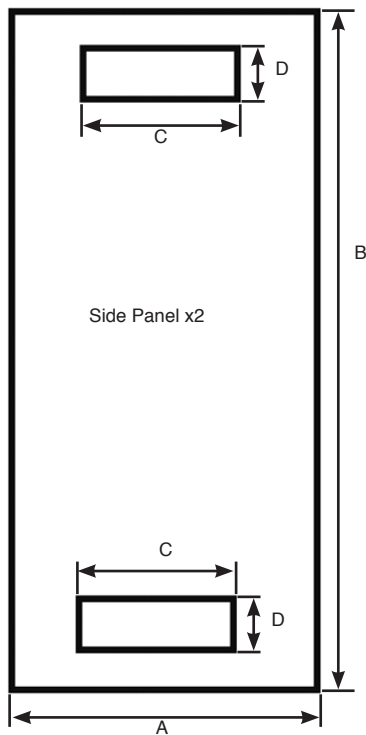
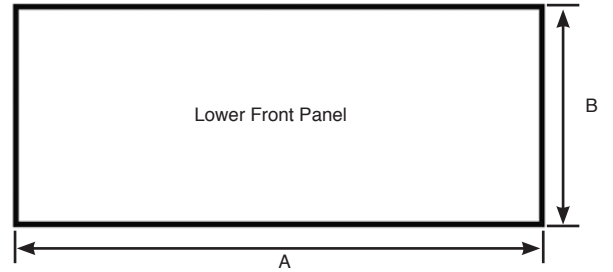
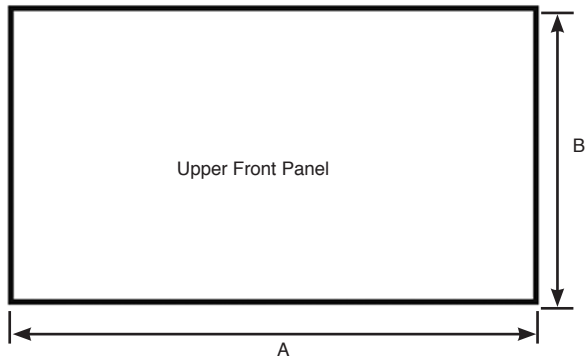
Heat Resistant Plaster: Purimacho (any spider cracks that develop after installation will need to be rubbed down and refilled with Purimacho heat resistant filler to stabilise).

Ensure all distances to combustible materials are maintained



INSTALLATION INSTRUCTIONS

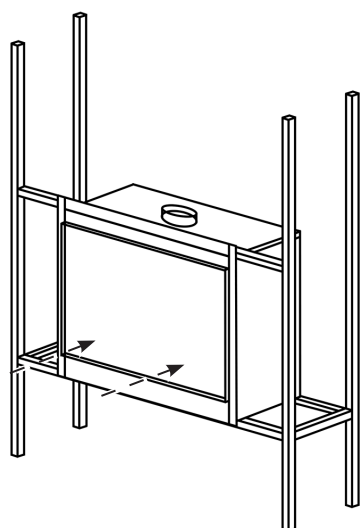
CUTTING TEMPLATES



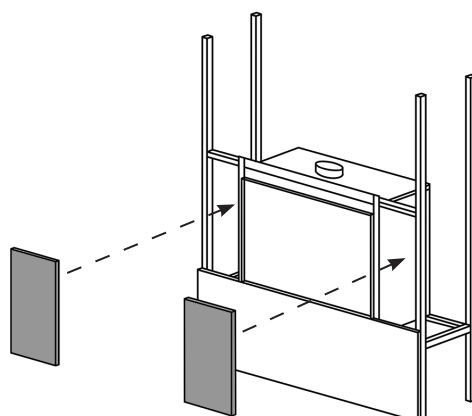
Panel	A (Min)	B (Min)	C	D
Upper Front Panel	1540mm	400mm	-	-
Lower Front Panel	1540mm	109mm No Frame 150mm - Decorative Frame	-	-
Side Panel	444mm	1309mm	100	30
Inner Side Panel	200mm	552mm	-	-

INSTALLATION INSTRUCTIONS

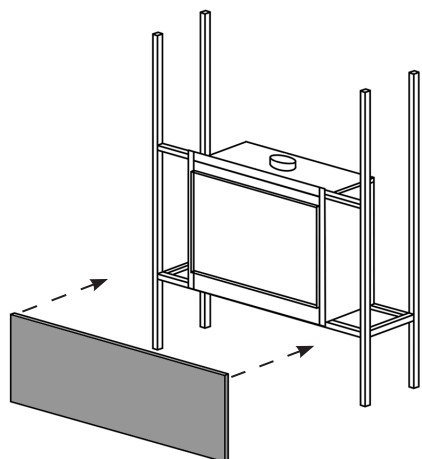
1



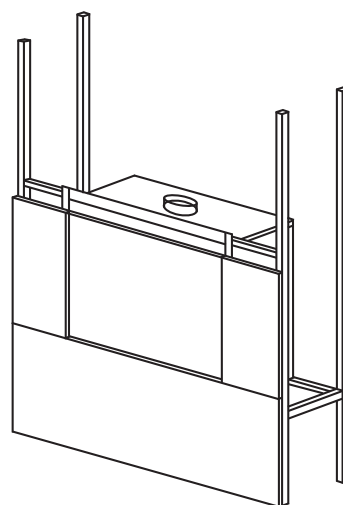
4



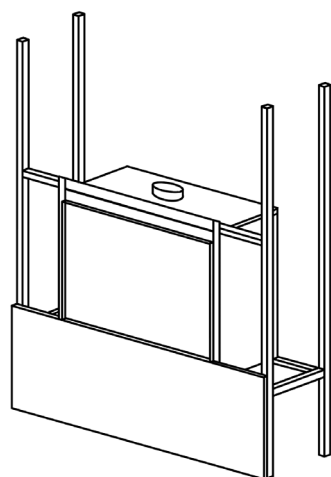
2



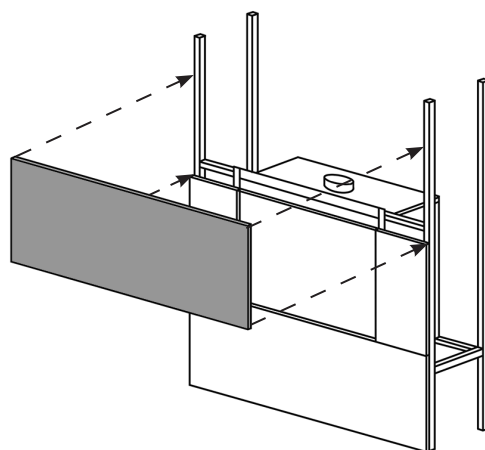
5



3

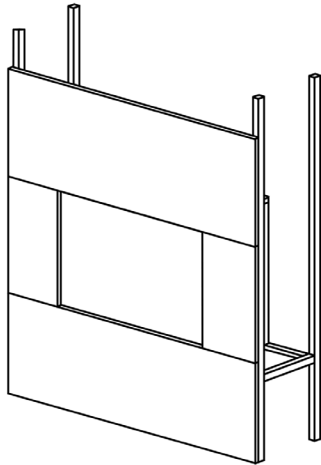


6



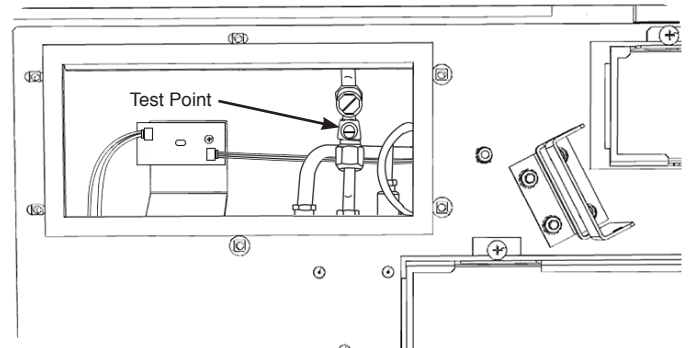
INSTALLATION INSTRUCTIONS

7

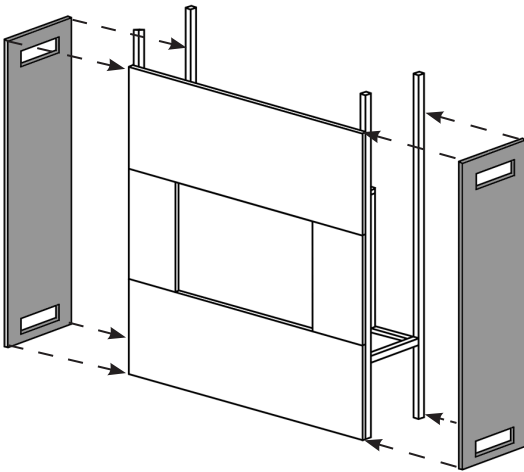


GAS SOUNDNESS PRESSURE CHECK

Connect a suitable pressure gauge to the test point located on the inlet fitting. Turn the gas supply on.



8



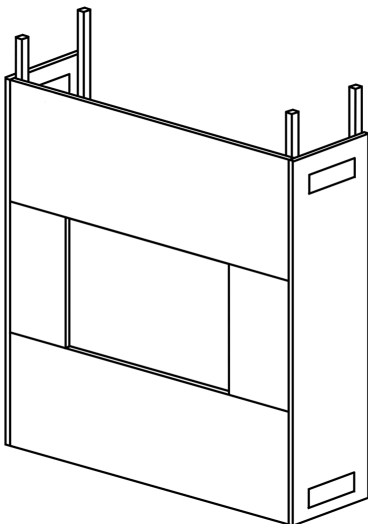
Remove the fixing screws and loosely place the appropriate burners onto the injectors.

Light the appliance and check all gas joints for possible leaks. Turn the appliance to maximum and check that the supply pressure is as stated on the databadge. Turn the appliance off. Replace the test point screw and check the test point for leaks.

Remove the burners. Take care as the burners will be hot.

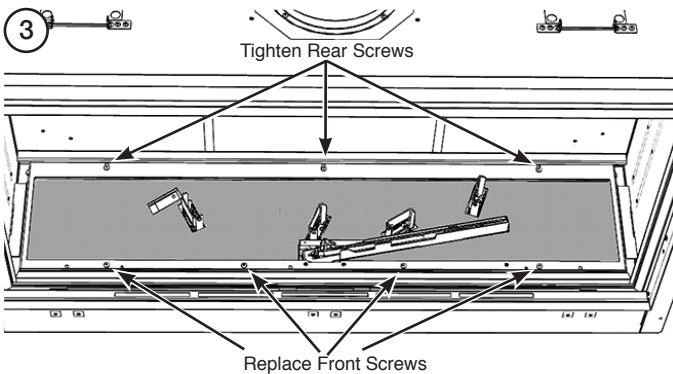
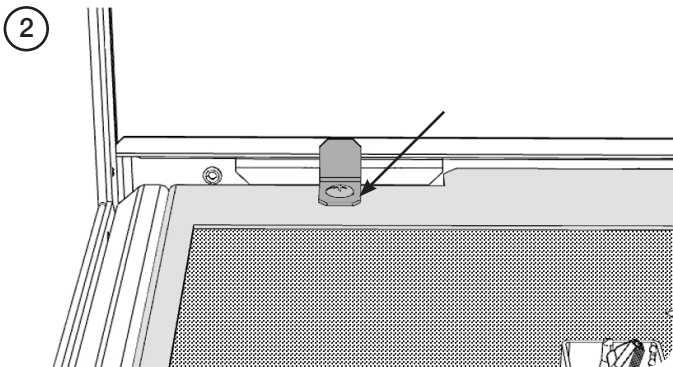
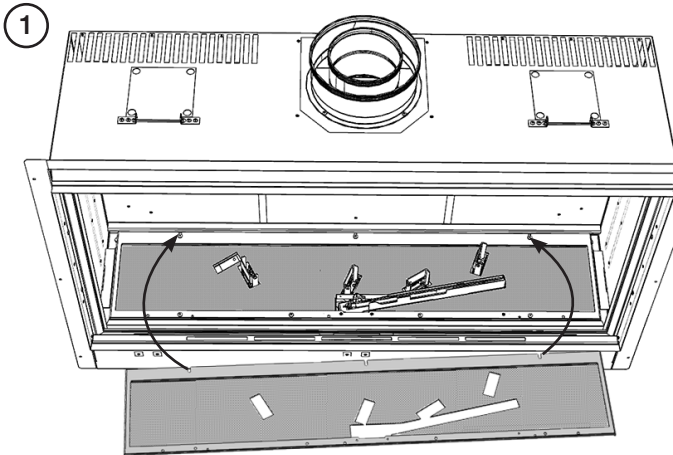
Replace the access panel, securing with the 4 screws.

9



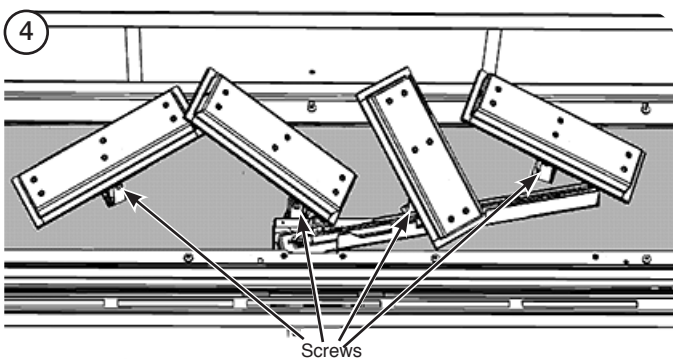
INSTALLATION INSTRUCTIONS

ASSEMBLING THE FUEL BED



NOTE: Ensure the 2 brackets at the rear are pushed as far back as possible before tightening.

Position the left hand Log Burner so that the right hand side is angled up towards the centre of the firebox and the screw hole is positioned at the front.



Position the centre left and far right Log Burners, so that the screw holes are positioned at the front.

Secure the burners with the 4 screws provided. Only use M4x6 Screws to secure the burners.

NOTE: Some burners are pre-fitted with Aeration plates. These are non-serviceable and MUST NOT be altered.

ARRANGEMENT OF FUEL BED COMPONENTS

ADVICE ON HANDLING AND DISPOSAL OF FIRE CERAMICS



The fuel effect and side panels in this appliance are made from Refractory Ceramic Fibre (RCF), a material which is commonly used for this application.

Protective clothing is not required when handling these articles, but we recommend you follow normal hygiene rules of not smoking, eating or drinking in the work area and always wash your hands before eating or drinking.

To ensure that the release of RCF fibres are kept to a minimum, during installation and servicing a HEPA filtered vacuum is recommended to remove any dust accumulated in and around the appliance before and after working on it. When servicing the appliance it is recommended that the replaced items are not broken up, but are sealed within heavy duty polythene bags and labelled as RCF waste.

RCF waste is classed as stable, non-reactive hazardous waste and may be disposed of at a licensed landfill site.

Excessive exposure to these materials may cause temporary irritation to eyes, skin and respiratory tract; wash hands thoroughly after handling the material.

TAKE CARE NOT TO SPILL THE FUEL EFFECT INTO THE PILOT AREA.

ONLY GENUINE GAZCO PARTS CAN BE USED IN THIS APPLIANCE.

Use the entire bag of supplied Amber Effect.

The Shale Effect is supplied as large pieces which will need to be broken into 2-3 smaller shards before placing onto the fuel bed. It is not necessary to use all the supplied Shale Effect.

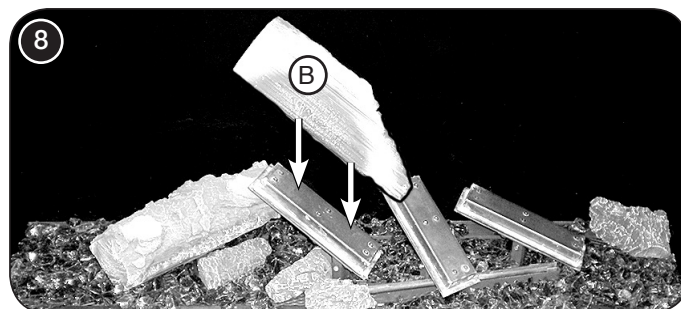
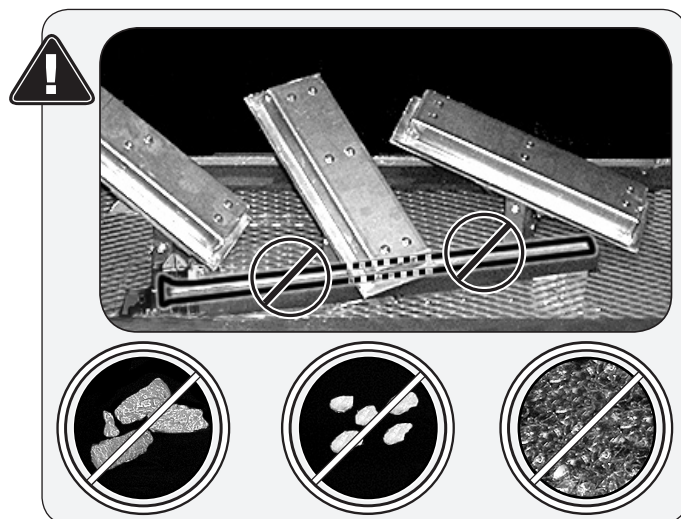
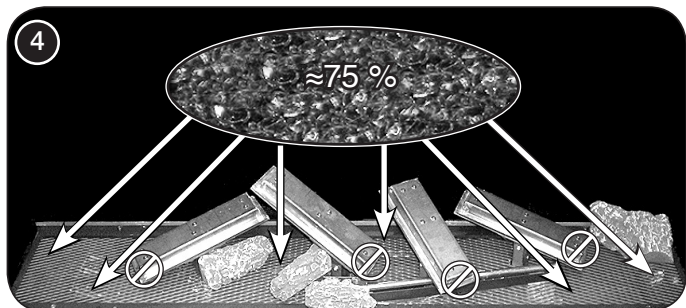
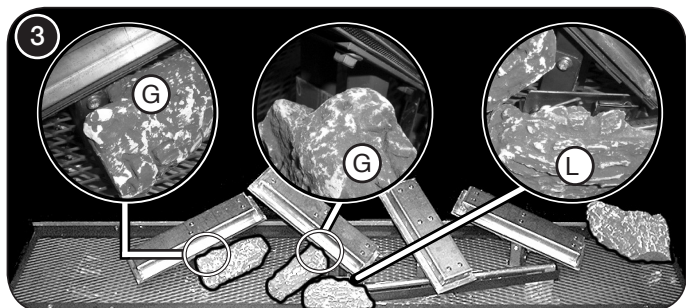
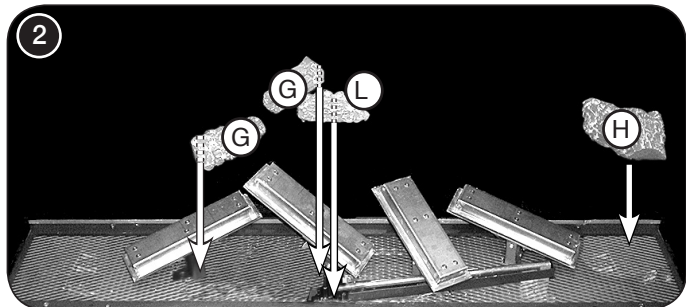
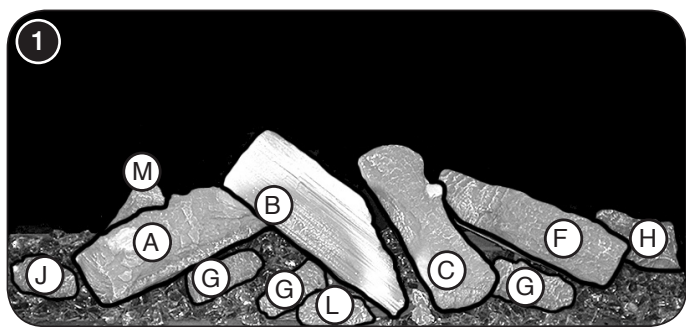
INSTALLATION INSTRUCTIONS

LOG LAYOUT

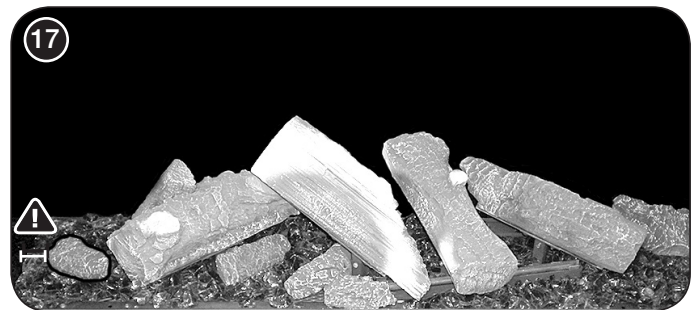
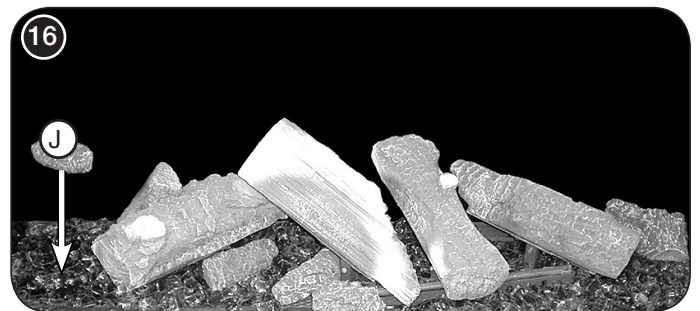
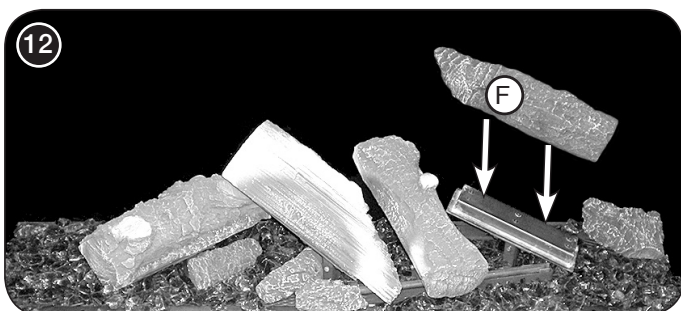
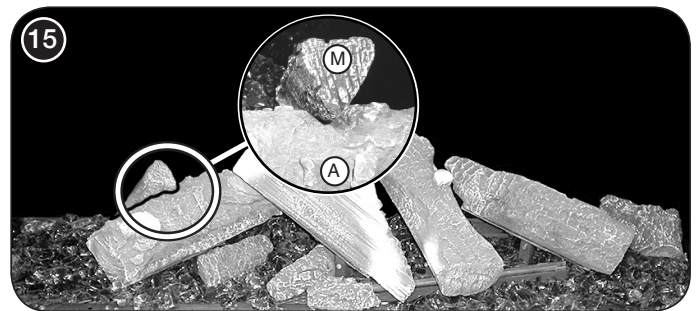
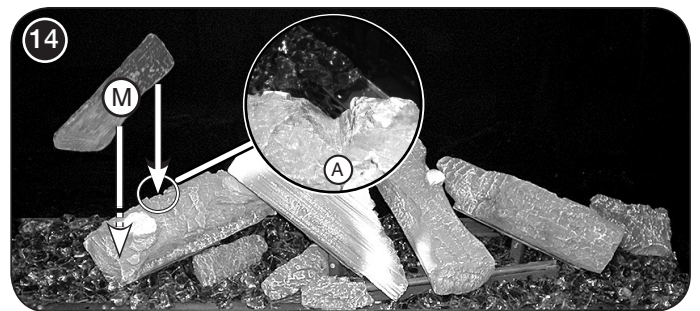
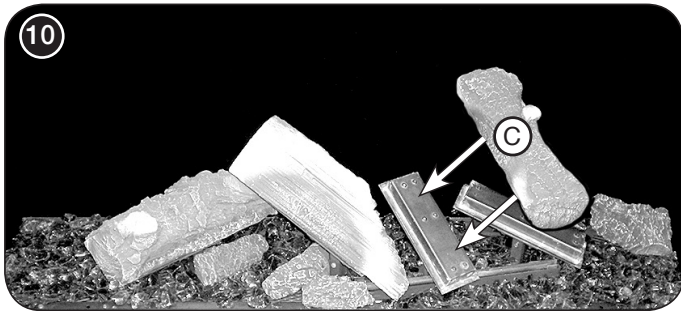
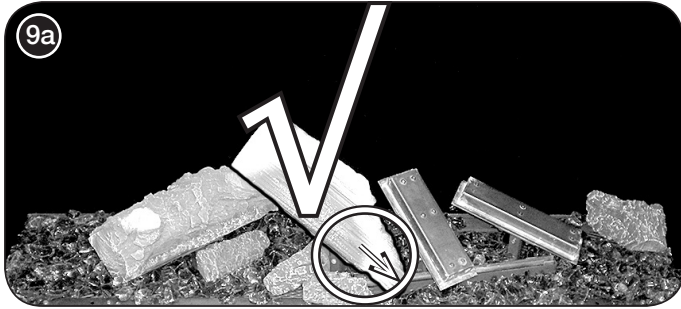
LOGS MUST BE POSITIONED ACCORDING TO THE FOLLOWING INSTRUCTIONS TO GIVE THE CORRECT FLAME EFFECT.

THE 3 BURNER LOGS MUST LOCATE CORRECTLY ONTO THE LOG BURNERS. ENSURE THE AMBER EFFECT DOES NOT CAUSE THE LOGS TO LIFT OFF THE BURNER.

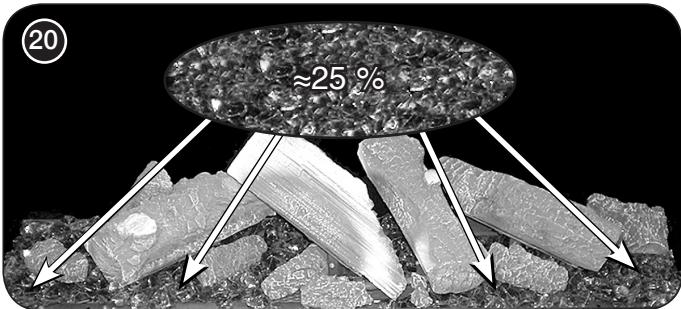
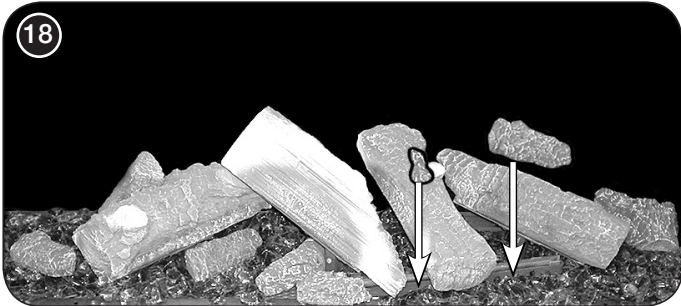
Ensure the Burner Tray and Log Burners are clean and free from any debris.
The main components are clearly individually labelled.



INSTALLATION INSTRUCTIONS

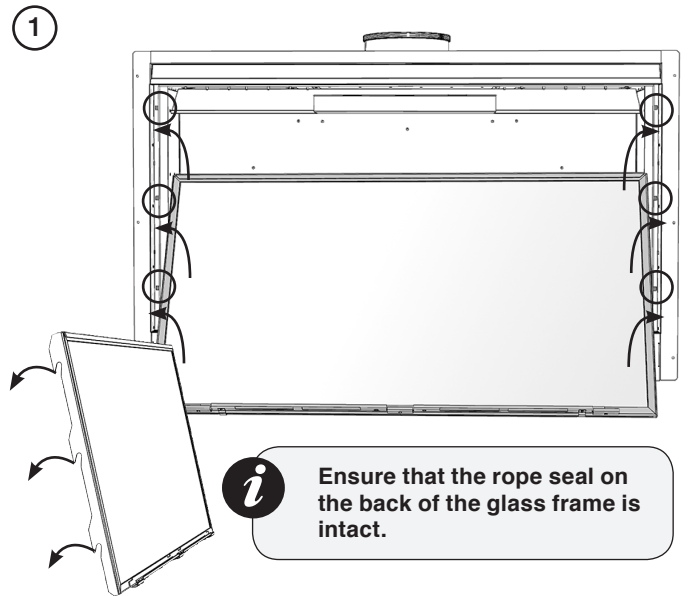


INSTALLATION INSTRUCTIONS



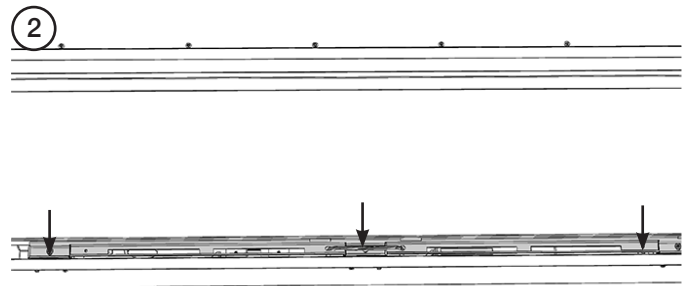
! NOTE: ENSURE THAT THE LOGS ARE POSITIONED AS ABOVE. ONLY USE THE CORRECT AMOUNT OF LOGS AS SPECIFIED IN THE DIAGRAMS.

COMPLETION OF ASSEMBLY

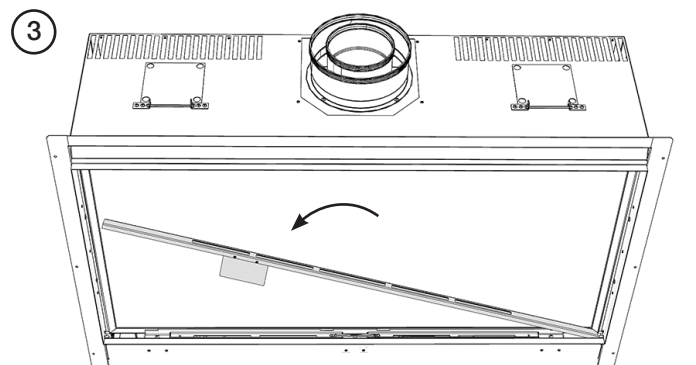


Push the handle down.

Replace the screws. As the screws are tightened the glass frame is pulled down against the hooks and forms a seal. **Replace ALL of the securing screws ensuring that a screw is present in all fixing slots.**

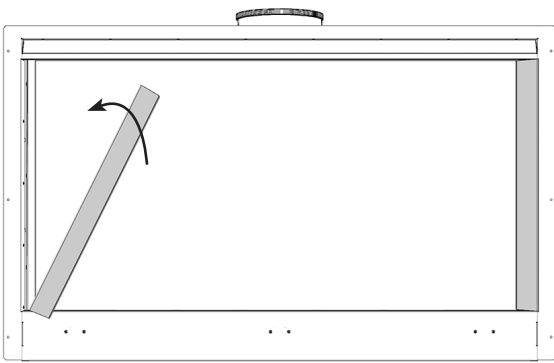


! UNDER NO CIRCUMSTANCES SHOULD THE APPLIANCE BE USED IF ANY OF THE GLASS PANELS ARE LOOSE, DAMAGED, OR MISSING.



INSTALLATION INSTRUCTIONS

4

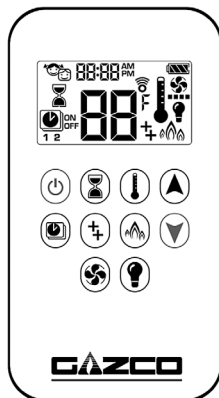


NEVER OPERATE THE APPLIANCE WHEN THE GLASS PANEL IS REMOVED OR BROKEN.

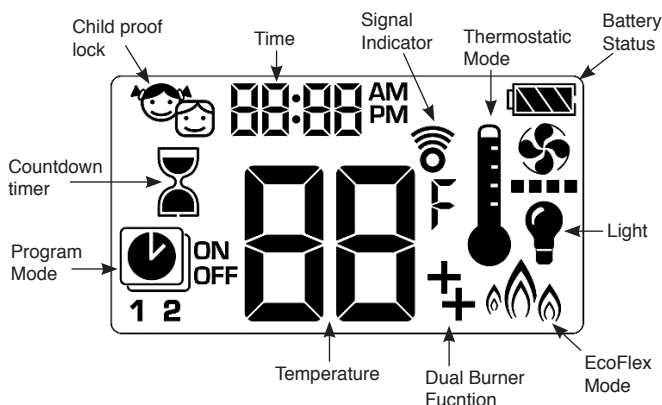
Replace the decorative front by referring to the separate instructions provided.

LIGHTING THE APPLIANCE

The appliance is operated by thermostatic and programmable remote control.




Via the remote it is possible to control the following features:



TURNING THE APPLIANCE ON

The handset controls the appliance from pilot ignition through to shut down.

To turn the fire on press the  button until two short signals and a series of blinking lines on the handset confirm the start of the ignition sequence and there will be a clicking sound as the valve opens on the appliance.

The pilot will ignite and the remote is now in Manual Mode. The first time the appliance is turned on it will light in the High position.



IMPORTANT: YELLOW FLAMES TYPICALLY APPEAR WHEN THE APPLIANCE HAS REACHED NORMAL OPERATING TEMPERATURE. THIS CAN TAKE UP TO 30 MINUTES.



WARNING: IF THE APPLIANCE FAILS TO LIGHT OR BECOMES EXTINGUISHED IN USE, WAIT 3 MINUTES BEFORE ATTEMPTING TO RELIGHT.

TURNING THE APPLIANCE OFF (STANDBY)

Press and hold the  button to turn the appliance off.

NOTE: There is a 5 second delay before the next ignition is possible.

TROUBLESHOOTING



IMPORTANT: In the unlikely event that the handset fails to communicate correctly with the appliance it may be necessary to turn off the gas supply at the isolation valve until any problems can be resolved.

The gas meter and isolation valve can be located outside in a meter box, under the stairs, beneath the kitchen sink or in the garage. Whilst this list is not exhaustive, it is important to be able to identify the location of the valve in case of any gas emergency.

To turn off the gas supply, simply turn the handle so the lever is at 90 degrees to the upright gas pipe.

If you smell gas, open doors and windows and never operate any electrical switches. Immediately call the Gas Emergency Services on 0800 111 999.

INSTALLATION INSTRUCTIONS

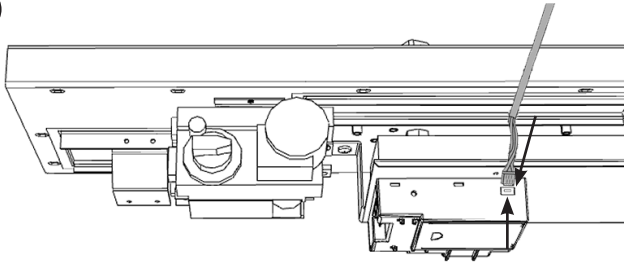
MYFIRE WI-FI INSTALLATION

BEFORE UNDERTAKING ANY WORK SWITCH OFF THE APPLIANCE AND ISOLATE THE POWER SUPPLY ENSURING THERE IS NO POWER TO THE APPLIANCE.

Remove the Main Burners, Mesh, and Control Assembly, see Servicing Instructions.

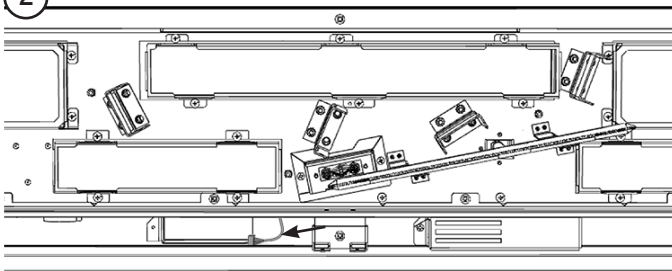
Carefully turn the Control Assembly over and connect the module lead to the receiver.

1



Replace the Control Assembly ensuring the module lead runs under the aperture.

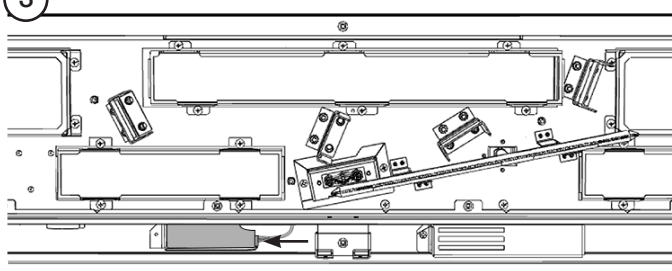
2



Carefully position the Wi-Fi Module in the module bracket, ensuring the correct orientation.

Connect the module lead to the Wi-Fi module.

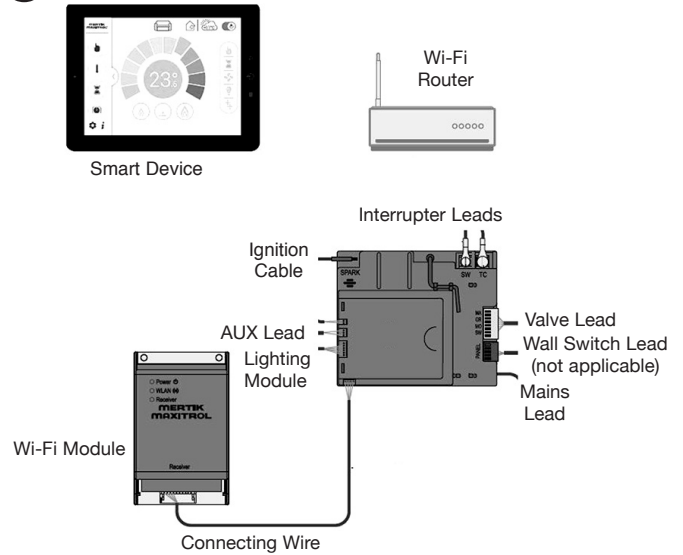
3



NOTE: Ensure none of the wires are snagged or caught on any internal components.

This should complete the wiring circuit as shown.

5



Follow the steps listed in the MyFire App Setup manual PR2467 to connect a smart device to the fire.

Replace the Glass Frame and trims.

The installation is now complete.



Once the Wi-Fi module has been installed and connected to a power source there is a 24 hour window to complete the setup process on the MyFire app.

If setup is not completed in this window the Wi-Fi module will have to be manually reset to complete setup, see Section 17 & PR2467 MyFire App Setup.

Once fitted, remove the trims and the glass frame to access the Wi-Fi module.

INSTALLATION INSTRUCTIONS

MYFIRE WI-FI SET UP & TROUBLESHOOTING

The MyFire Wi-Fi box must be wired according to the MyFire set up diagram and connected to the receiver, which is in turn connected to the mains power.

Ensure the device is running the most up to date operating system as older models may not be compatible with the MyFire App.

After 30 seconds the MyFire Box goes into Access Point Mode (Green LED flashes). See MyFire App instructions supplied and configure the router.

The following things can affect the Wi-Fi signal on the appliance:

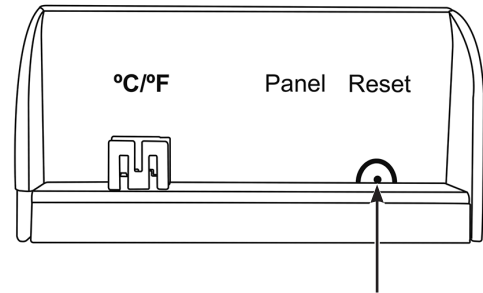
1. Multiple users on the same Wi-Fi channel may interfere with the data transfer. Press the reset button on the MyFire Wi-Fi box for 1 second to change the current channel.
2. If the MyFire Wi-Fi box is not connected to the receiver or is not used it will leave Access Point Mode after 24 hours.
3. If there are multiple fireplaces in the household using MyFire Wi-Fi boxes there must be a minimum of 600mm between them to avoid interference.
4. If there are any changes to the home network then the MyFire Wi-Fi set up must be repeated.

Quick Reference Table.

LED Indicator for MyFire Wi-Fi box			
Label	LED		Status
Power	Blue	On	Power On
		Off	Power Off
WLAN	Green	On	Connected to home network (Wi-Fi Router)
		Off	Not connected to home network (Wi-Fi Router)
		Flashing	MyFire Wi-Fi Box in Access Point Mode
Receiver	Blue	On	Receiver connected
		Off	No receiver connected or connection lost
All LEDs		Flashing	Internal Configuration

It may be necessary to reset the MyFire Wi-Fi box using a paperclip or similar.

The table below shows the length of time required for each reset and the confirmation signals.



Press Reset Button	LED Status Blue Power LED	Function
1 Sec	Continuously flashes every ½ second	Activates Access Point Mode for 10mins (connect MyFire Wi-Fi module to home network). Simultaneously the Wi-Fi channel changes.
5 Secs	Two rapid flashes every 1 second	System Reset.
10 Secs	Flashes every 100 milliseconds (Continuous)	Restore factory firmware (MyFire Wi-Fi module will set to default after reboot); takes up to 2 minutes.
20 Secs	Flashes every 50 milliseconds (Continuous)	Restores factory firmware and erases all data not locked. (MyFire Wi-Fi module will set to default after reboot); takes up to 2 minutes.

INSTALLATION INSTRUCTIONS

COMMISSIONING

Complete the Commissioning Checklist at the front of this manual covering:

- Thermocouple soundness checks.
This is to include ensuring the thermocouple is secure on the pilot bracket assembly, lead connection and integrity.
- Flue checks
- Gas checks
- Log layout - flame picture

For working pressure test, refer to Technical Specifications.

Ensure all safety checks listed in the Commissioning Section are completed, paying particular attention to the glass panel checks and securing of the glass frame.

Upon completion of the commissioning and testing of the installation and correct operation of the appliance, the installer must instruct the user how to operate the appliance.

Guide the user through the User Instructions paying particular attention to:

- a) Regular servicing.
- b) Ventilation - point out the ventilation positions where applicable.
- c) Hot surfaces.
- d) How the appliance works with the remote control handset and the modes of operation.
- e) How to change settings in the auto mode and program modes of operation.
- f) What to do if the appliance fails to operate.

REPROGRAMMING HANDSET/ CONTROL BOX

To access the control box see Servicing Instructions, - Removing the Log Burners and Main Control Assembly.

Press and hold the reset button on the control box until you hear two signals. After the second longer signal:

Release the reset button and within 20 seconds:

Press the DOWN button on the handset until you hear two additional short signals confirming the new code is set. If there is a single long signal the code learning sequence has failed or the wiring is incorrect.

Note: When pressing the DOWN button on the handset if two beeps are not heard:

Release the DOWN button and CONN will be displayed on the handset screen. An 8 second count will start on the handset screen followed by two short beeps confirming the new code is set. If there is a single long signal the code learning sequence has failed or the wiring is incorrect.

SERVICING/FAULT FINDING CHARTS

SERVICING REQUIREMENTS

IMPORTANT – The glass panels on this appliance should be checked for any signs of damage on the front face of the glass panel (scratches, scores, cracks or other surface defects). If damage is observed, the glass panel must be replaced and the appliance must not be used until a replacement is installed. Under no circumstances should the appliance be used if any damage is observed. Please isolate the appliance until a replacement glass panel has been obtained and installed. Replacement glass panels can be purchased from Gazco via the retailer from which the appliance was purchased or any other Gazco distributor.

This appliance must be serviced at least once a year by a competent person.

All tests must be carried out in accordance with the current Gas Safe recommendations.

Before Testing:

- Conduct a gas soundness test for the property ensuring there are no leaks before servicing.
- Check the operation of the appliance before testing.

Special checks:

- Clean the burners using a vacuum cleaner with a soft brush attachment. Ensure all debris is removed from the burner ports.
- Clean away lint or fluff from the pilot.
- Clean away lint or fluff from under the burner.
- Check the spark gap on the pilot is correct.
- Check that the Pilot ignites correctly and Main Burner cross lights smoothly.
- Ensure that the glass is secured correctly and that all retaining screws are in place.

Correct any faults found during the initial test.

Re-commission the appliance in accordance with Commissioning Procedures of these instructions.

Advise the customer of any remedial work undertaken.

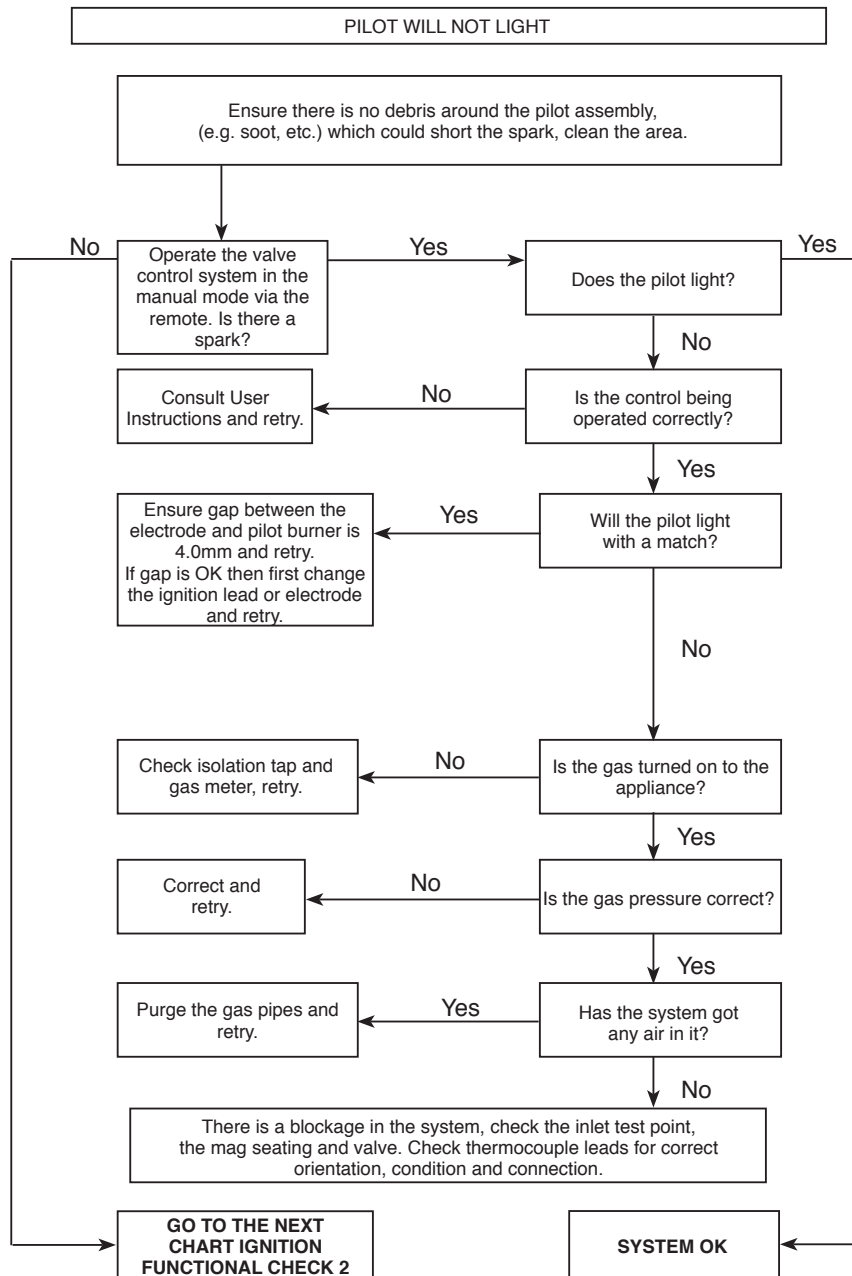
Electronic Control Valve Fault Analysis

Symptom	Cause	Remedy
Frequent beeps for 3 seconds after operation request	Loose/damaged wire	Check interrupter block and wires
No ignition, no tone, motor turns slightly when operated	Receiver board damaged	Replace receiver
No pilot flame and control continues to spark	Thermocouple circuit wired incorrectly	Correct wiring
Pilot lights, control continues to spark, valve shuts down after 10 - 30 seconds	1. No spark at pilot burner 2. Loose/damaged wire	1. Rectify spark at pilot burner 2. Check interrupter and wires
Rear burner can not be turned off - valve can be heard to operate.	Faulty Solenoid Valve	Replace Solenoid Valve
Rear burner can not be turned off - no beep or noise from solenoid	1. Faulty wire/ wire not connected 2. Faulty receiver	1. Replace wire/ solenoid 2. Replace receiver

SERVICING INSTRUCTIONS

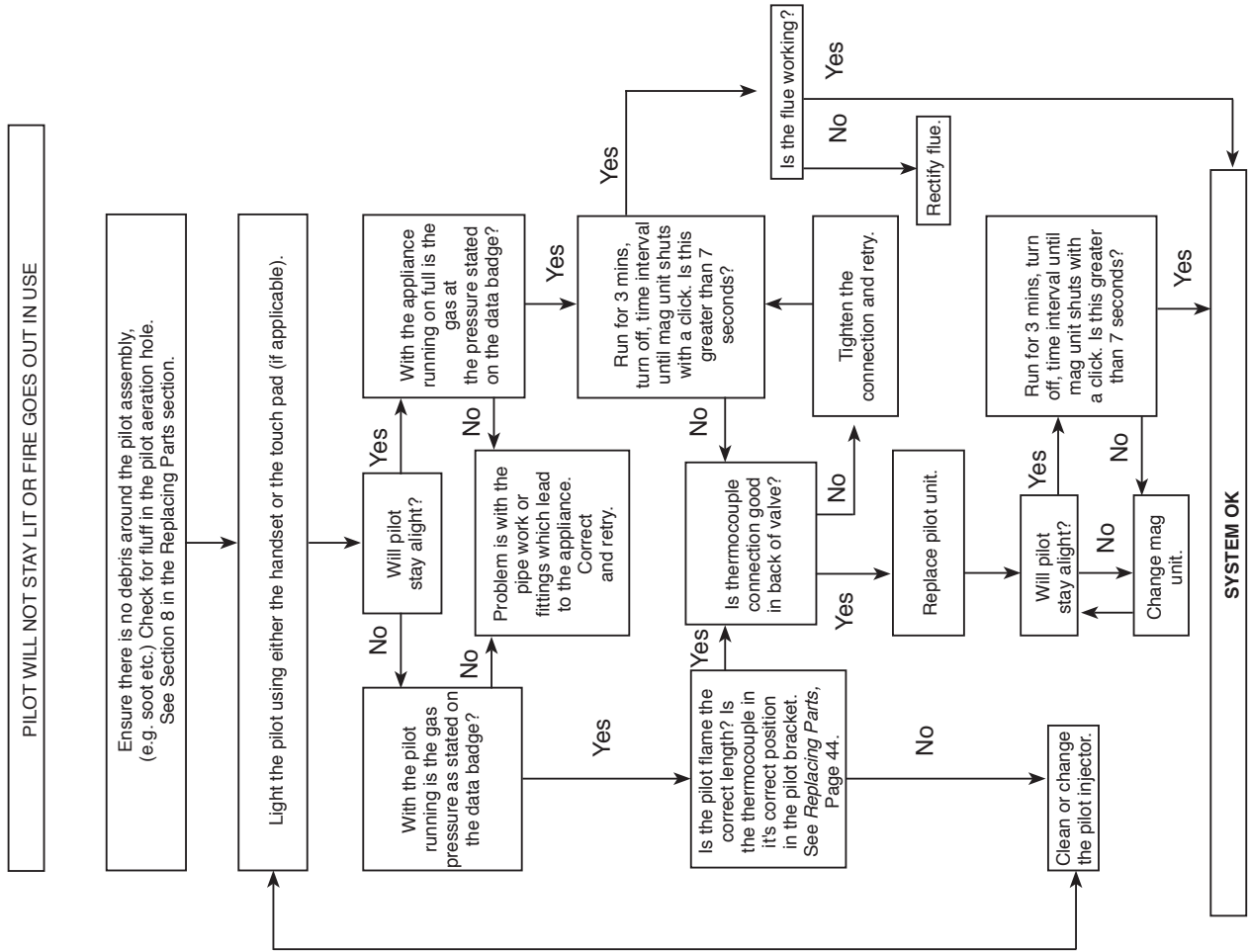
FAULT FINDING CHARTS

IGNITION FUNCTIONAL CHECK 1

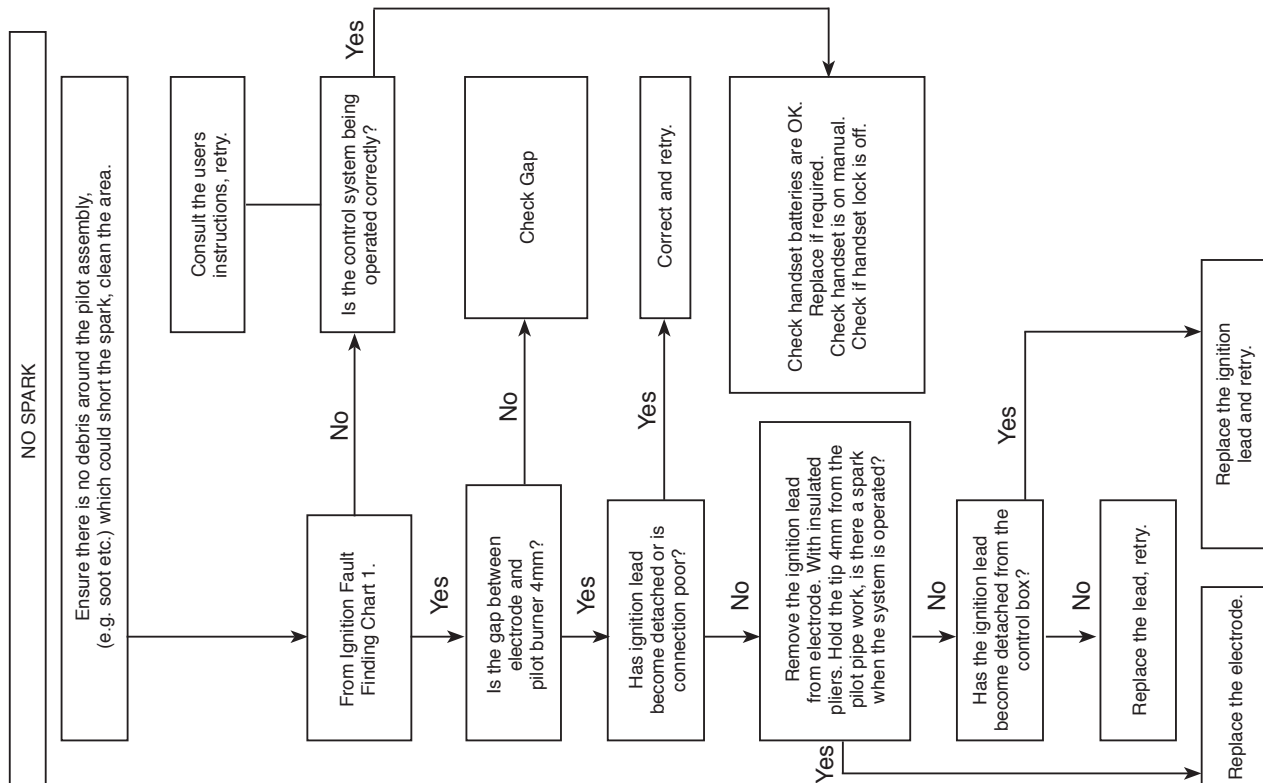


FAULT FINDING CHARTS

FLAME FAILURE FUNCTIONAL CHECK 3



IGNITION FUNCTIONAL CHECK 2



SERVICING INSTRUCTIONS

GENERAL

All main components can be replaced without removing the appliance from its installation.

DISCONNECT MAINS ELECTRICAL SUPPLY AT THE ACCESSIBLE PLUG OR DEDICATED SWITCH BEFORE SERVICING THE APPLIANCE.

IT IS ESSENTIAL THAT THE GAS SUPPLY TO THE APPLIANCE IS TURNED OFF AT THE ISOLATION DEVICE BEFORE PROCEEDING FURTHER.

It will be necessary to remove the burners and the fuel bed before any of the main components can be serviced.

The Power Module and the Wi-Fi Receiver can be serviced by removing the decorative trim and lower glass retaining bracket.



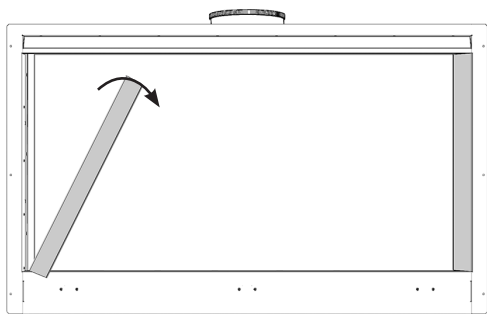
DURING SERVICING OF THIS APPLIANCE IT MAY BE NECESSARY TO CUT CABLE TIES IN ORDER TO ACCESS AND REMOVE SOME OF THE PARTS. THESE MUST BE REPLACED WHEN REASSEMBLING THE APPLIANCE.



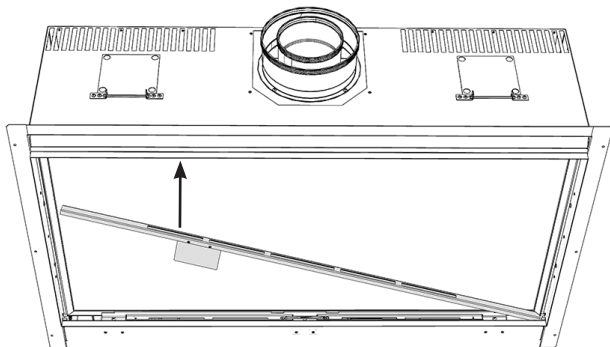
AFTER SERVICING ENSURE THAT ALL CONNECTIONS ARE REPLACED BEFORE REPLACING THE MESH TRAY.

REMOVING THE GLASS FRAME

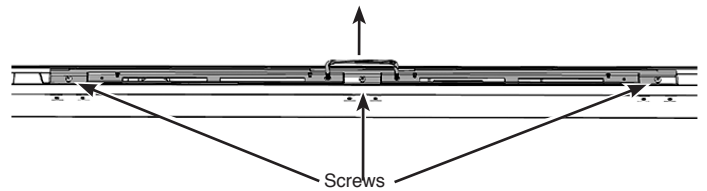
Remove the glass door by removing the 2 side trims. These are held on by magnets.



Lift out the bottom slotted trim.

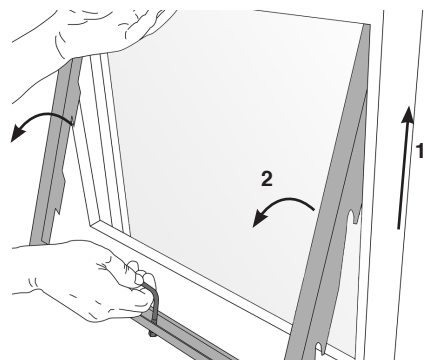


Remove the 3 screws at the base of the door.



Pull up the handle at the front.

Whilst supporting the top, lift the door using the handle, up and over the lower edge.



When refitting the glass frame ensure that the rope seal on the back of the frame is intact.

Replace the screws. As the screws are tightened the glass frame is pulled down against the hooks and forms a seal.

Replace ALL of the securing screws ensuring that a screw is present in all fixing slots.



UNDER NO CIRCUMSTANCES SHOULD THE APPLIANCE BE USED IF ANY OF THE GLASS FRAME RETAINING SCREWS ARE LOOSE OR MISSING.

Replace the lower trim.

Replace the 2 magnetic side trims.

NEVER OPERATE THE APPLIANCE WHEN THE GLASS PANEL IS REMOVED OR BROKEN.

The glass frame must be refitted to the appliance following cleaning or servicing.

SERVICING INSTRUCTIONS

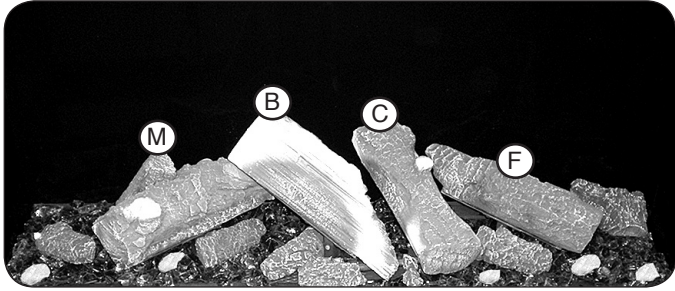
REMOVING THE FUEL EFFECT

The fuel effect consists of 6 different components.

To avoid damage Logs A, B, C, F and M should be removed in the following order and placed on a dry, clean surface.

Remove Log M from the groove in Log A.

Remove Log B from the Log Burner.



Remove Log C & F from the Log Burners.

Slide Log A backwards, from under the centre Log Burner, to remove.



Remove the remaining components:

1. Large Embers J & H
2. Ember G (x3) & Ember L
3. Shale Effect
4. Amber Effect

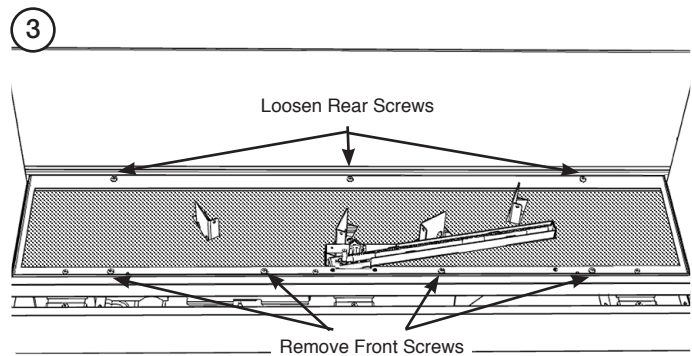
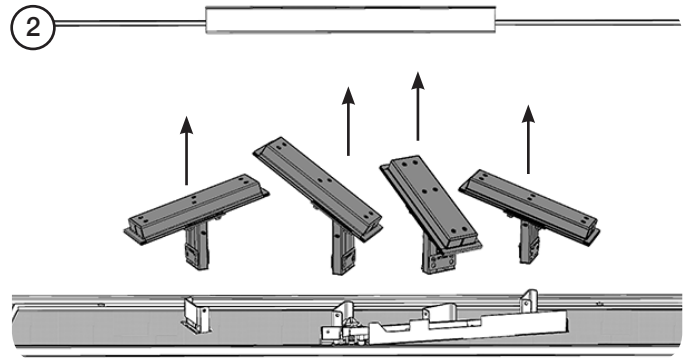
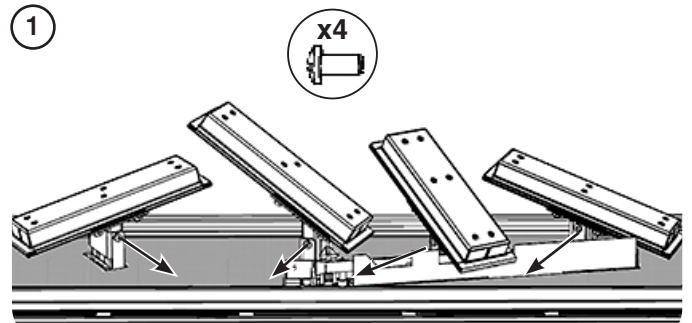
Keep each component separate for ease of replacing.

When replacing the fuel effects see Installation Instructions Section for layout instructions.

REMOVING THE LOG BURNERS AND MAIN CONTROL ASSEMBLY

Remove the Front Glass.

Remove the Fuel Effect.



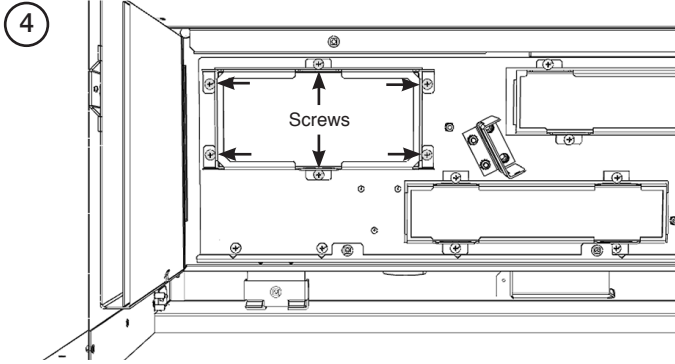
NOTE: The left and right hand screws secure the 2 lower liner tabs.

Slide the Mesh Tray forward slightly to disengage from the rear screws and carefully lift over the Log Burner Brackets, Pilot and Cross Lighter.

Remove through the front of the appliance.

WHEN REPLACING THE MESH TRAY TAKE CARE NOT TO DAMAGE THE LOG BURNER BRACKETS, PILOT AND CROSS LIGHTER. REPLACE THE FRONT SCREWS FIRST BEFORE TIGHTENING THE REAR SCREWS.

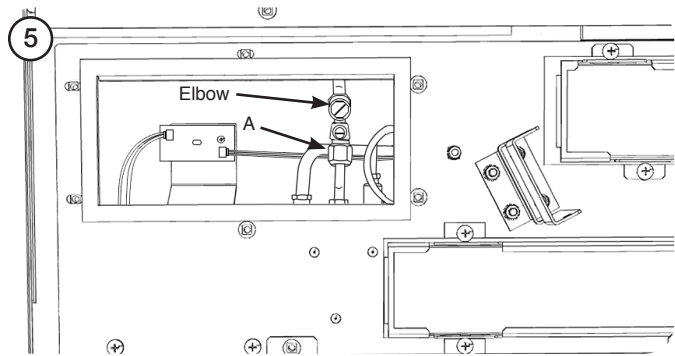
SERVICING INSTRUCTIONS



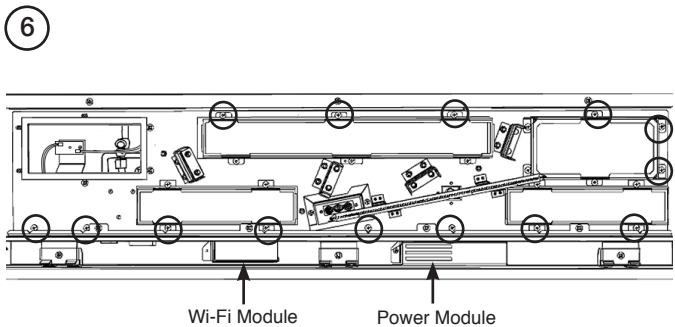
Turn the gas supply off at the isolation device.

HAVE YOU ISOLATED THE GAS SUPPLY?

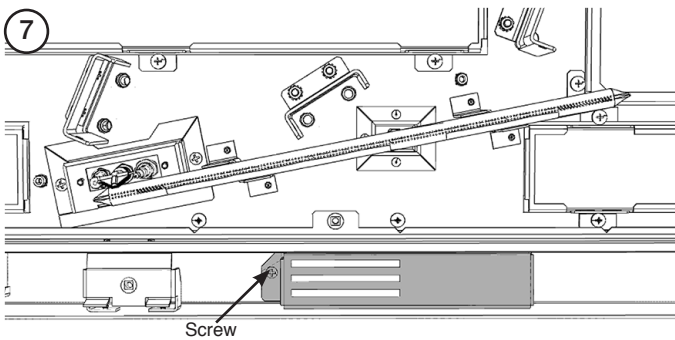
Disconnect the isolating device from the appliance inlet pipe (A) to isolate the gas supply.



Remove the remaining screws securing the Main Control Assembly to the firebox.



Remove the screw from the module bracket and carefully lift to remove.



Disconnect the LED lead and the Receiver lead from the power module. If fitted, disconnect the Wi-Fi lead from the Wi-Fi module.

Lift the rear and slide to the right.
The Main Control Assembly can now be removed.

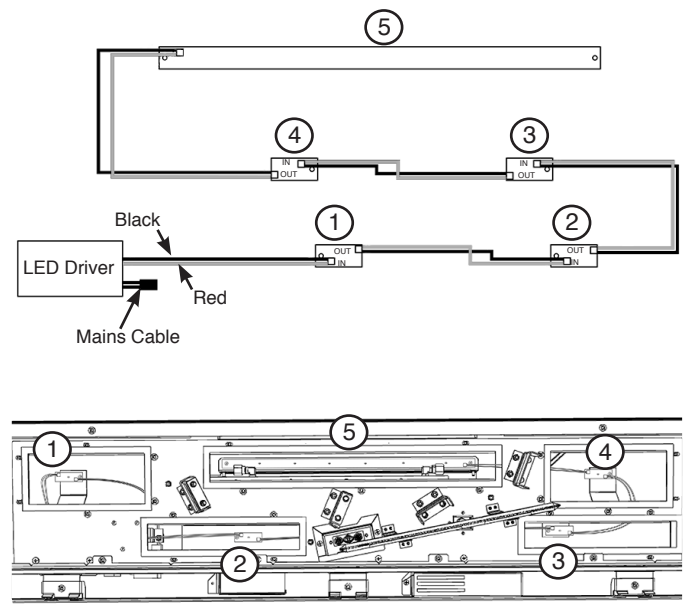
Replace in reverse order.



AFTER SERVICING ENSURE THAT ALL CONNECTIONS ARE REPLACED BEFORE REPLACING THE MESH TRAY.

REPLACING THE LED CIRCUIT

There are 5 LED boards, which can be replaced individually.

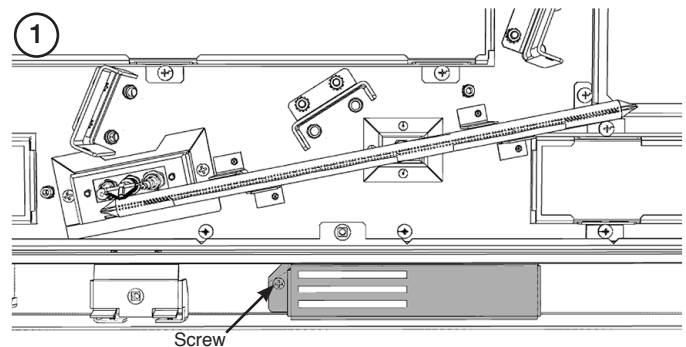


THE LED'S ARE FRAGILE. HANDLE WITH CARE. ONLY HOLD THE LED BOARDS BY THE EDGES TO AVOID CONTACT WITH THE TOP OF THE LED'S.

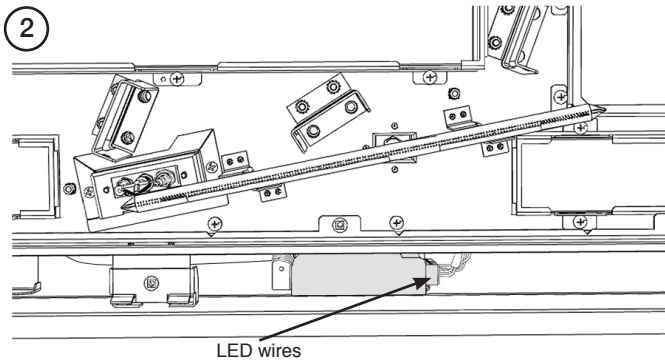
AVOID CATCHING ANY DELICATE WIRES WHEN REPLACING THE SCREWS.

Remove the Log Burners, Fuel effect, and Mesh tray.

Remove the screw from the module bracket and lift out carefully.



Disconnect the LED Mains Lead Plug from the Module.



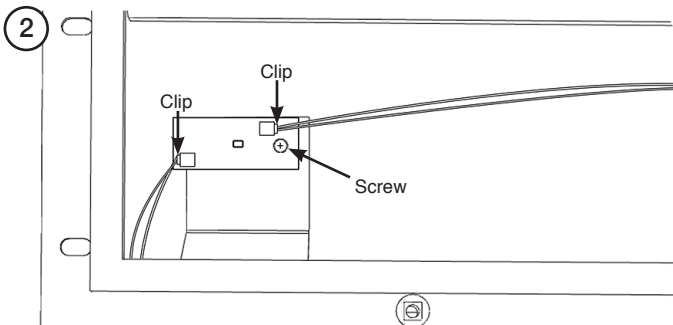
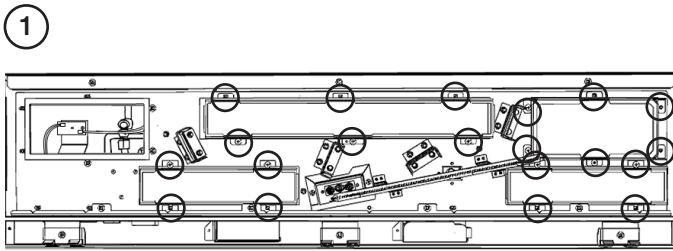
The LED circuit consists of three components, which can be individually changed, these are:

- Front LED Boards.
- Rear LED Bar.
- Driver.

Front LED board

LED boards 1 - 4 are accessible through the Main Control Assembly.

Remove the corresponding screws securing the glass covers and remove.



Repeat for each front LED board.

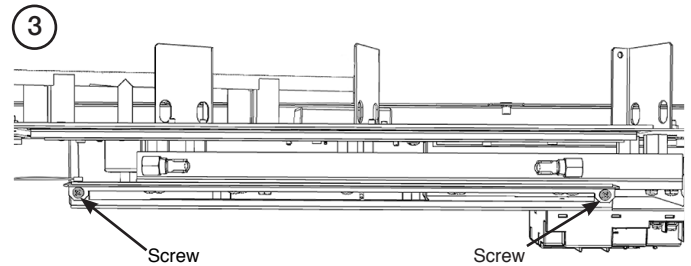
NOTE: Each board has the wiring direction marked as IN or OUT on each end to ensure the replacement boards are wired correctly.

Replace the module bracket and glass covers in reverse order
Withdraw the module and disconnect the LED Mains Lead Plug.

Rear LED board

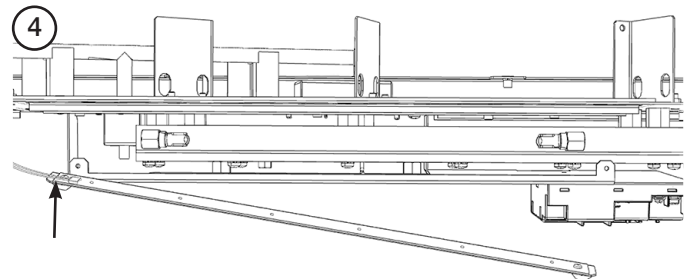
Remove the Main Control Assembly to access the Rear LED Bar (LED board 5).

Remove the 2 screws securing the LED cradle to the underside of the Control Assembly.



*Other internal components removed for clarity

Carefully withdraw the cradle and remove the wiring connection from the left hand side.



*Other internal components removed for clarity

Undo the 2 screws securing the board and replace in reverse order.

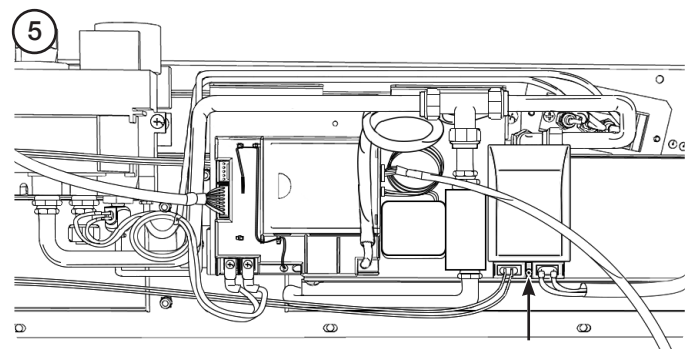
LED Driver

Remove the Main Control Assembly to access the LED Driver.

The Driver is located on the underside of the Control Assembly next to the latching solenoid.

Remove the screw in the center of the Driver lip.

Carefully lift the Driver (with cables) off the control assembly to remove.



Replace in reverse order ensuring the components are in the correct configuration.



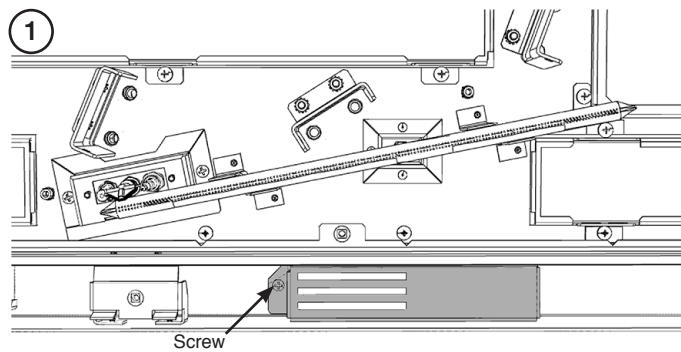
ENSURE NO WIRES ARE TRAPPED WHEN REPLACING THE COMPONENTS.

SERVICING INSTRUCTIONS

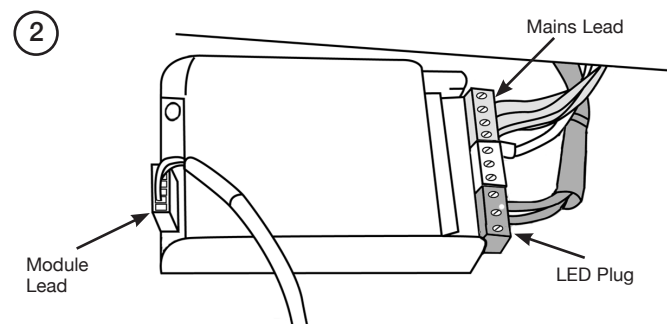
REPLACING THE MODULE

Remove the Glass Frame and magnetic trims.

Remove the screw from the module bracket and carefully lift to remove.



Disconnect the LED plug and Mains lead from the module.



Disconnect the Module Lead.

The Module can now be removed.

Replace in reverse order.

PILOT UNIT ASSEMBLY

Turn off the gas supply at the isolating device.

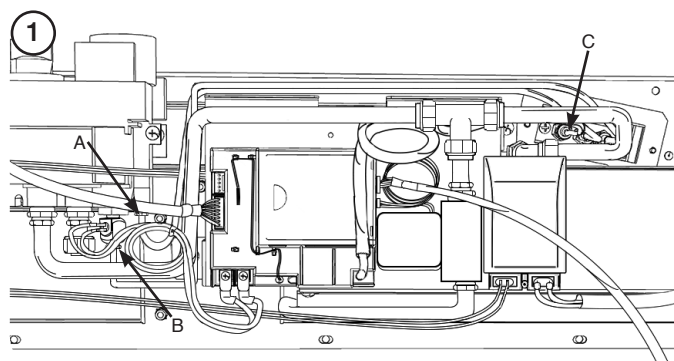
Remove the Log Burners and Main Control Assembly.

The pilot bracket can be accessed from the underside of the Main Control Assembly.



IMPORTANT: UNDER THE TERMS OF THE EXTENDED WARRANTY IT WILL BE COMPULSORY TO CHANGE THE COMPLETE PILOT UNIT ON THIS APPLIANCE IN YEARS 2 AND 4.

Undo pilot pipe from the control valve, see Arrow A.
Remove the thermocouple from the interrupter block, See Arrow B.



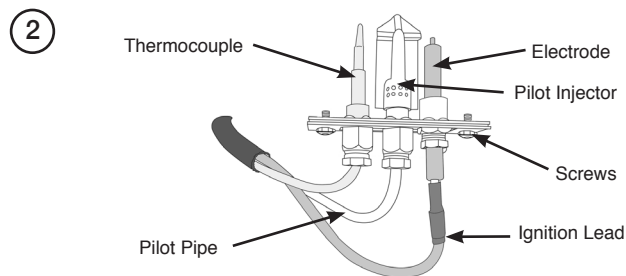
Remove the ignition lead from the electrode, see Arrow C.

Undo the 2 retaining screws from pilot unit bracket.

The pilot bracket can now be withdrawn from its cradle.

The pilot assembly consists of three components, which can be individually changed, these are:

- Electrode.
- Pilot Injector.
- Thermocouple.

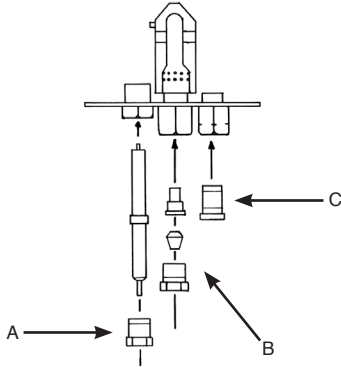


SERVICING INSTRUCTIONS

ELECTRODE

Pull the ignition lead off the electrode and undo the retaining nut, see arrow A.

3



Replace with a new electrode. Do not over-tighten the nut; this could break the component.

Replace the ignition lead.

PILOT INJECTOR

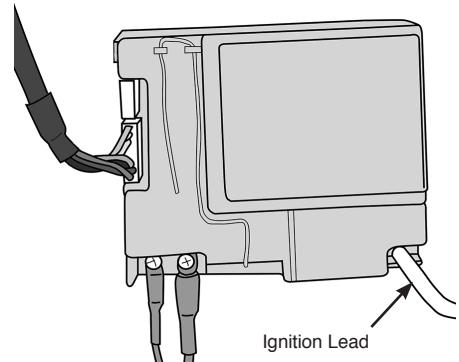
With the pilot assembly removed, undo the nut to drop the injector out from the burner, see Arrow B.

THERMOCOUPLE

Undo the brass nut to remove the thermocouple from the pilot burner unit, see Arrow C.

IGNITION LEAD

Unplug the Ignition lead from the control box.



Carefully cut cable ties from the vidaflex and disconnect the lead from the electrode.

IMPORTANT Ensure not to cut the cables.

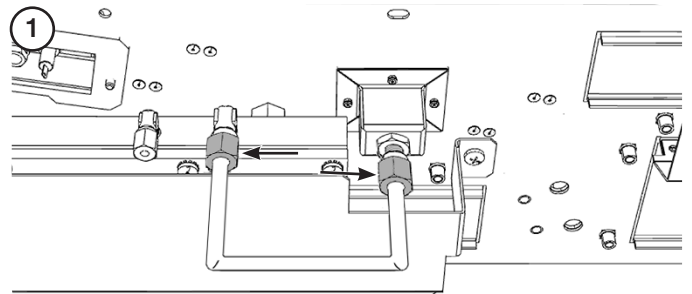
NOTE: When replacing, ensure the ignition lead does not run across the control box.

CROSS LIGHTING INJECTOR

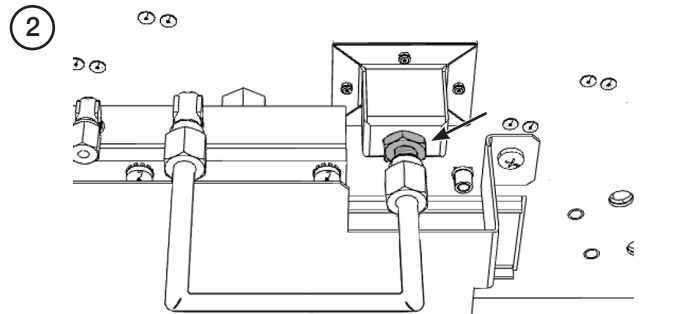
Remove the Log Burners and Main Control Assembly.

Turn the Main Control Assembly over to access the components on the underside.

Remove the injector pipe by loosening the two nuts.



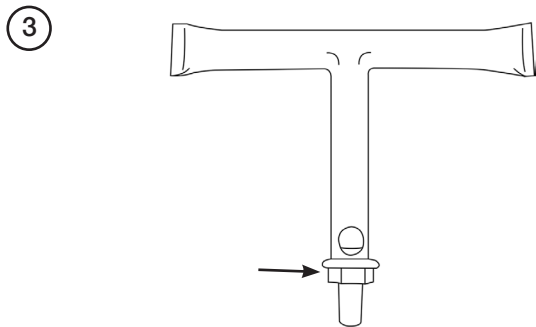
Undo the nut from the Cross Lighter.



SERVICING INSTRUCTIONS

Turn the Main Control Assembly over.

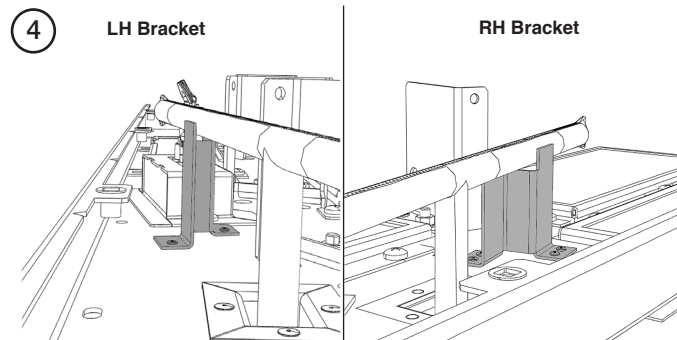
Withdraw the Cross Lighting bar from the Control Assembly. The Injector is screwed into the bottom of the bar.



Replace with the correct size Injector and refit all components in the reverse order.

Ensure the left and right hand sides of the Burner engages in the bracket slots.

NOTE: The LH bracket is part of the Pilot bracket.



Check for leaks.

GAS VALVE

To change the gas valve:

Remove the Log Burners and Main Control Assembly.

Disconnect the Gas Inlet Pipe, Arrow A.

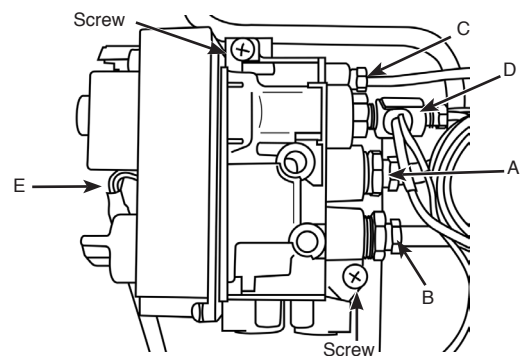
Disconnect the Gas Outlet Pipe, Arrow B.

Disconnect the Pilot Pipe, Arrow C.

Disconnect the Thermocouple, Thermocurrent Wires and the Interrupter Block, Arrow D.

Remove the Eight Wire Loom, Arrow E.

There is an access hole above the cable plug on the valve. Insert a small screwdriver to release the locking tab.



Remove the 2 screws securing the Valve to the support bracket and withdraw the Valve.

Replace in reverse order and check for leaks.

MAGNETIC SAFETY VALVE

Remove the Log Burners and Main Control Assembly.

Undo the Thermocouple from the Interrupter Block and remove the 2 Interrupter Leads.

Unscrew the Interrupter Block from the back of the Valve.

Undo the silver Magnetic Valve retaining nut on the back of the Valve.

Gently tap out the Mag Valve.

Replace with a new unit.

Reassemble in reverse order ensuring that the interrupter leads are connected correctly with the blue tag lead furthest away from the gas valve body.

Check for leaks.

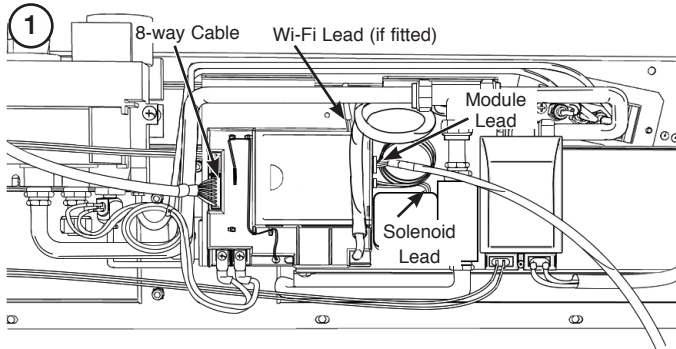
SERVICING INSTRUCTIONS

CONTROL BOX

To replace the Control Box first remove the Main Control Assembly.

Cut the cable tie holding the Ignition lead and the Thermocouple cables.

Disconnect the Module and Solenoid leads from the Control Box.



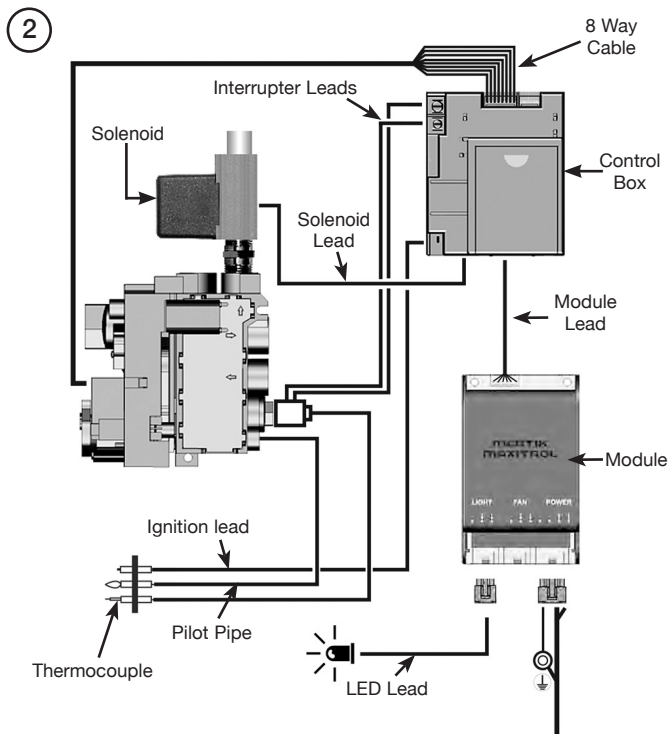
If fitted disconnect the Wi-Fi Lead.

Note: The Wi-Fi lead is loose when removed, ensure the lead is not misplaced whilst servicing.

Remove the Ignition Lead. The Control Box is held on by Velcro pads.

Remove the 2 screws to remove the 2 Interrupter Leads.

Remove the 8 way cable from the Control Box.



Replace in reverse order.

After replacing the Control Box ensure that all cable ties and connections are refitted.

After replacing the Control Box you will need to reprogram the handset.

- Press and hold the reset button on the control box until you hear two signals. After the second longer signal:
- Release the reset button and within 20 seconds:
- Press the DOWN button on the handset until you hear two additional short signals confirming the new code is set. If there is a single long signal the code learning sequence has failed or the wiring is incorrect.

Note: When pressing the DOWN button on the handset if two beeps are not heard:

- Release the DOWN button and CONN will be displayed on the handset screen. An 8 second count will start on the handset screen followed by two short beeps confirming the new code is set. If there is a single long signal the code learning sequence has failed or the wiring is incorrect.

FUEL BED INJECTORS

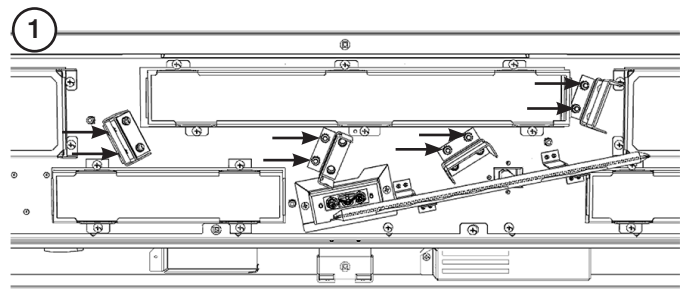
This appliance has 8 Fuel Bed Injectors.

NOTE: The injectors are not identical.

TO ENSURE CORRECT ASSEMBLY REPLACE EACH INJECTOR INDIVIDUALLY.

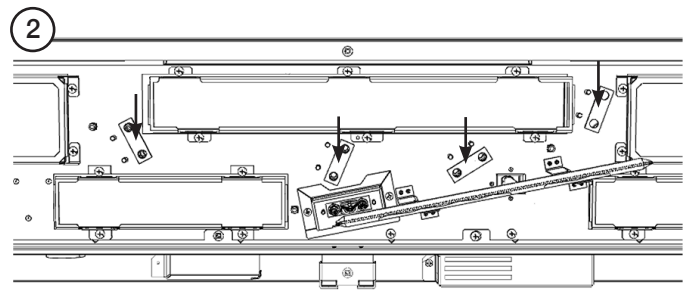
Remove the Log Burners and Mesh Tray.

Remove the 2 nuts and lock washers from each Burner Bracket.



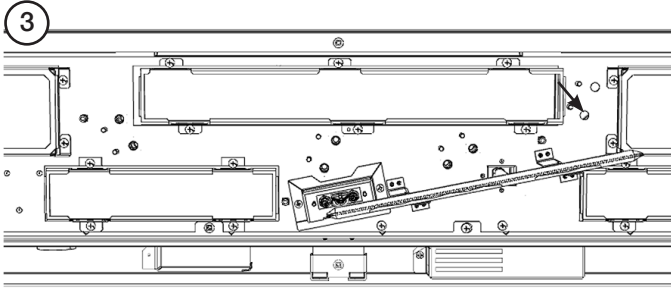
Remove the Brackets.

Remove the Gasket.



Undo the Injectors individually.

SERVICING INSTRUCTIONS



Replace with the correct size Injector.
See table on Page 12.
NOTE: DO NOT OVERTIGHTEN.

Use thread sealant Loctite 572 when replacing Injectors.

Repeat for the remaining Injectors.

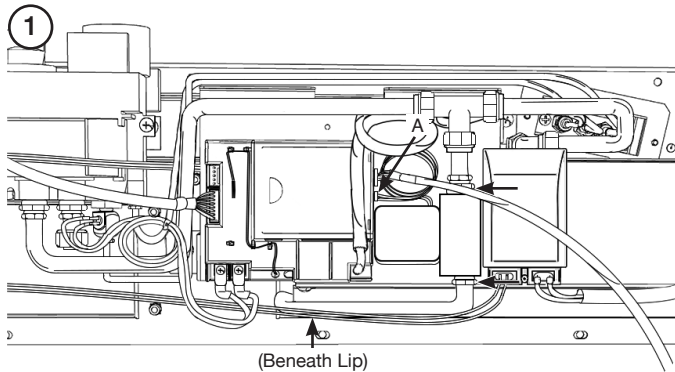
Check for leaks.

LATCHING SOLENOID

Remove the Main Control Assembly.

Remove the cradle holding the rear LED's to access the pipe work for the solenoid.

Undo the 3 nuts shown and free the solenoid from the pipe work.



Remove the Solenoid plug from the Control Box, Arrow A.

Cut the cable tie. **NOTE the orientation of the cables.**

Replace in reverse order.

Check for leaks.

Ensure that the cable ties are replaced.

CHANGING BETWEEN GAS TYPES

In order to change between gas types, it will be necessary to change the following components:

Pilot Injector
Main Injectors x 8
Cross lighting Injector
Gas Valve
Main Burner x 4

Contact your Gazco retailer for further information.

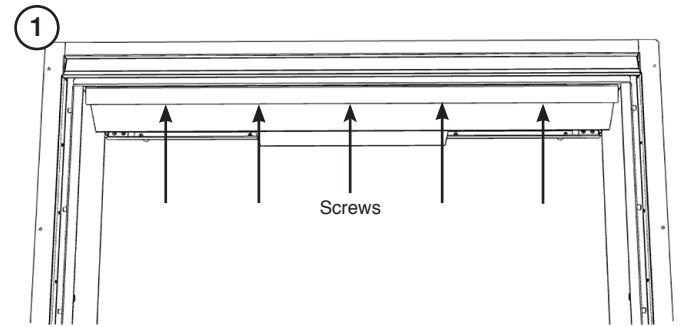
A kit of parts is available for this. Always quote the Model number and Serial number when ordering any spare parts.

BAFFLE

The Baffle must be removed before the Liners can be taken out of the appliance.

BAFFLE

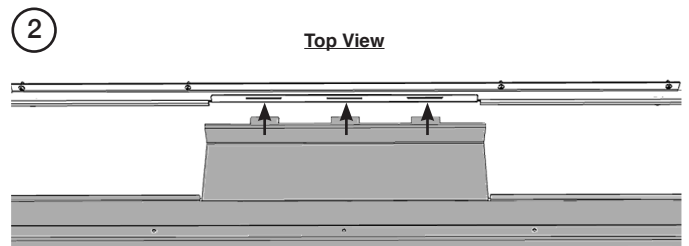
Undo the 5 screws securing the baffle to the roof of the firebox.



The Baffle can now be removed by lowering the front edge and pulling forward through the front of the appliance.

TAKE CARE NOT TO DAMAGE THE SIDE PANELS.

When replacing the Baffle ensure that the 3 tabs fit into the slots in the rear liner bracket.



LINERS

There are several lining options available:

- Brick Effect
- Ledgestone
- Black Glass

The Baffle must be removed before the liners can be taken out of the appliance, see Section 16.

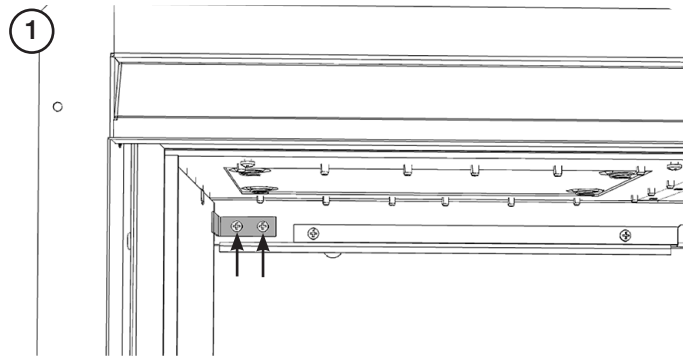
Remove the Logs and Burners, see Section 4.

Once removed the liners can be taken out.

i **IMPORTANT: IF THE APPLIANCE IS FITTED WITH BLACK GLASS LINERS THE BACK PANEL IS ONE PIECE. THE SIDE PANELS ARE ALSO SPECIFIC FOR LEFT AND RIGHT - MAKE A NOTE WHEN REMOVING AND REPLACE IN THE SAME ORIENTATION.**

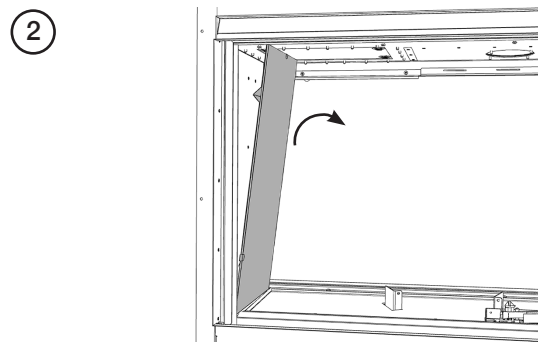
To remove the side liners:

Undo the 2 screws and remove the Side Liner Brackets.



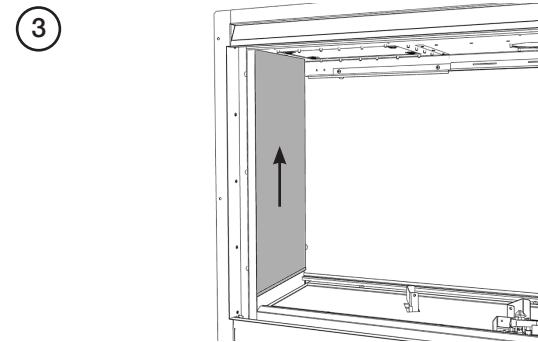
Black Glass & Brick Effect Side Liners:

Move the top of the liner towards the centre of the firebox and carefully manoeuvre out of the appliance.

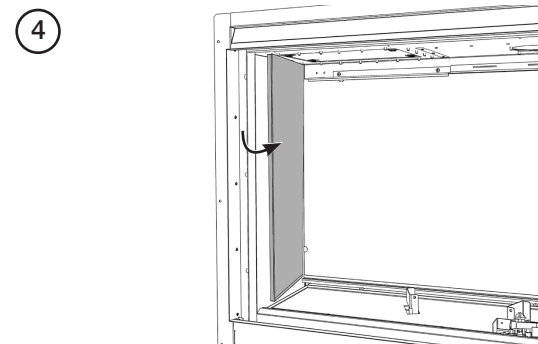


Ledgestone Side Liners:

Move the liner vertically towards the top of the firebox.



Move the front edge of the liner towards the centre of the firebox and carefully manoeuvre out of the appliance.

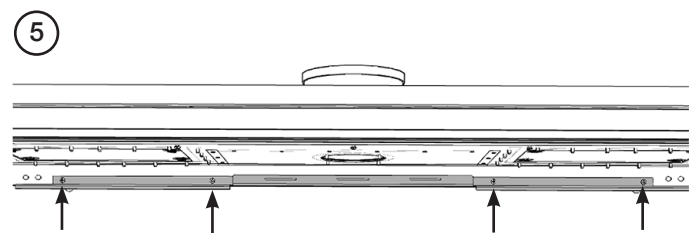


All Lining Sets:

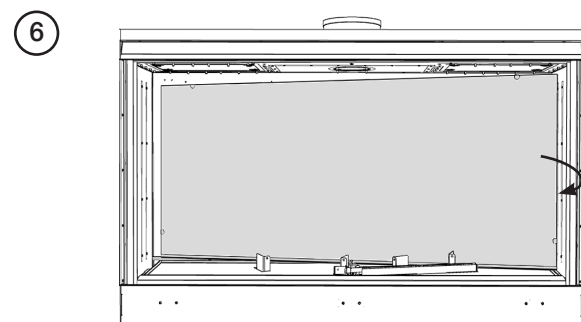
To remove the rear liner:

Remove the side liners.

Undo the 4 screws securing the rear liner bracket and remove.



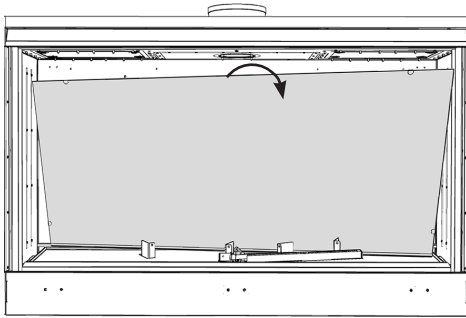
Slide the right hand side of the rear liner as far forward as possible.



SERVICING INSTRUCTIONS

Once in position, tilt the liner forwards and carefully manoeuvre out of the firebox.

7



To replace the liners and baffle reverse these procedures. Ensure no amber glass or black shale has fallen onto the Liner Support Brackets.

REPLACING THE POWER CABLE

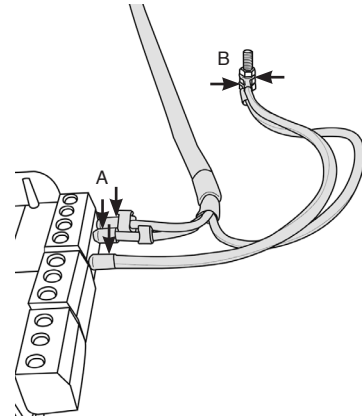
BEFORE UNDERTAKING ANY WORK SWITCH OFF THE APPLIANCE AND ISOLATE THE POWER SUPPLY ENSURING THERE IS NO POWER TO THE APPLIANCE.

To replace the Power Cable first remove the Main Control Assembly.

Disconnect the 3 cables from the Power Module, Arrow A.

NOTE THE CONFIGURATION OF THE WIRES.

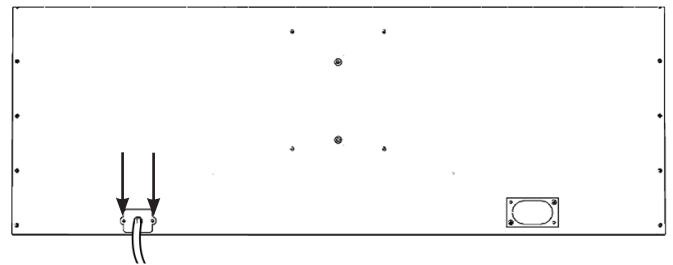
1



Remove the nuts from the Earth stud and remove the two Ring Terminals, Arrow B.

Remove the 2 screws securing the Power Cable Plate to the rear of the firebox.

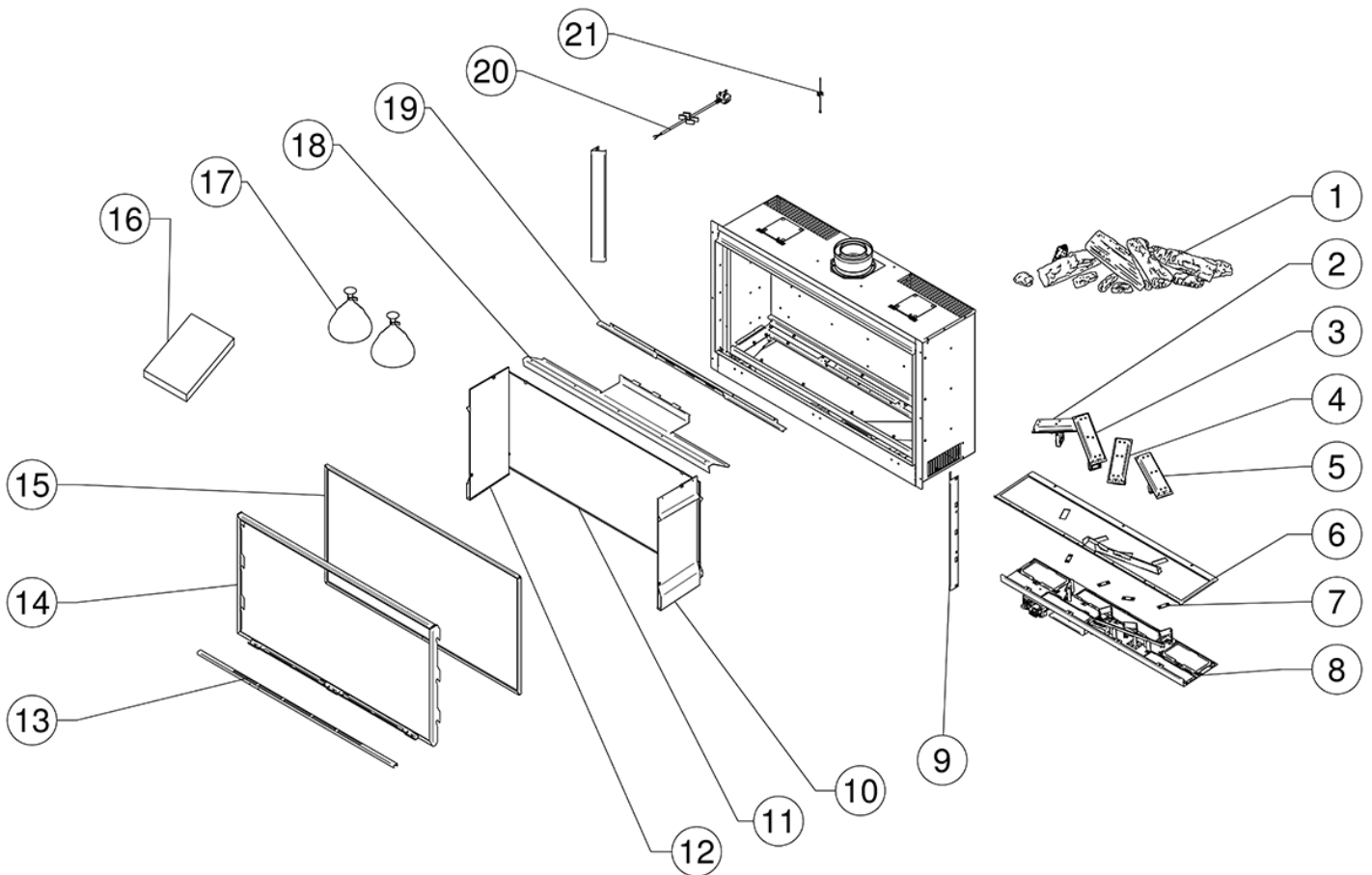
2



Withdraw the old cable.

Fit the new cable in reverse order ensuring it is rewired in the original configuration.

SPARES LIST - MAIN ASSEMBLY



No.	Component	Part Code		Qty.
		Nat Gas	LPG	
1	Ceramic Log Set	CE1923		1
2	Outer LH Burner Assembly	GZ15287	GZ15435	1
3	Inner LH Burner Assembly	GZ15288	GZ15436	1
4	Inner RH Burner Assembly	GZ15289	GZ15437	1
5	Outer RH Burner Assembly	GZ15290	GZ15438	1
6	Burner Tray and Mesh Assembly	GZ14698		1
7	Injector Seal	CE1738		4
8	Control Assembly	GZ14690N	GZ14690P	1
9	Side Frame Cover	GZ14083		2
10	RH Side Panel - Black Glass	GZ15113		1
	RH Side Panel - LedgeStone*	991-461		1
	RH Side Panel - Brick Effect	CE1955		1
11	Rear Panel - Black Glass	GZ14670		1
	Rear Panel - LedgeStone*	991-461		1
	Rear Panel - Brick Effect	CE1951		1

No.	Component	Part Code		Qty.
		Nat Gas	LPG	
12	LH Side Panel - Black Glass	GZ15111		1
	LH Side Panel - LedgeStone*	991-461		1
	LH Side Panel - Brick Effect	CE1956		1
13	Base Infill Angle Assembly	GZ13991		1
14	Door Assembly	GZ13983		1
15	Glass & Ropeséal Assembly	GZ14463		1
16	Instruction Kit	GZ15171		1
17	Amber Crushed Glass	CE1737		2
18	Top Baffle - Front	GZ14687		1
19	Top Baffle - Rear	GZ14688		1
20	UK Mains Lead	GZ15218		1
21	Earth Cable	EL0051		1

*Only available as a set



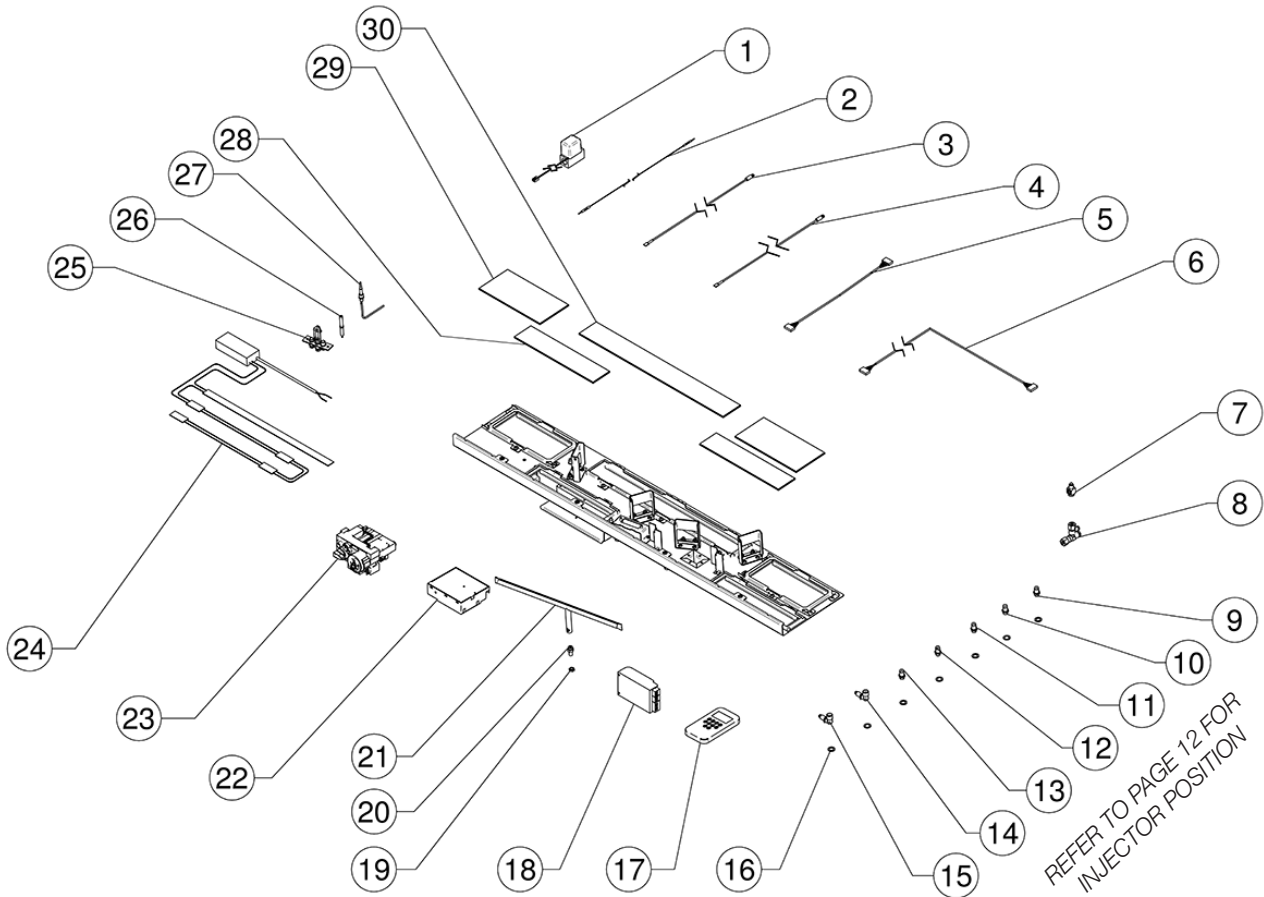
Due to continual technical improvements please check online or with your Gazco retailer for the most up to date parts lists.

Only use Genuine Gazco spares when servicing your appliance.

All of our essential spare parts and consumable items are available to purchase from our webshop at www.gazcospares.com.

SPARES LIST

SPARES LIST - CONTROL ASSEMBLY



No.	Component	Part Code		Qty.	No.	Component	Part Code		Qty.
		Nat Gas	LPG				Nat Gas	LPG	
1	Latching Solenoid Valve	EL0563		1	16	1/8 BSP Fibre Washer	FA0735		8
2	Ignition Cable	GC0125		1	17	Thermostatic Handset	EL0655		1
3	Thermo Current Cable	GC0126		1	18	Power Module Box	EL0672		1
4	Thermo Current Cable	EL0590		1	19	M8x1 Fine Thread Brass Locknut	FA0740		1
5	Module Cable	EL0566		1	20	Cross Lighting	IN0101	IN0092	1
6	360mm Connection Cable	GC0133		1	21	Cross Lighting Burner	GC0181		1
7	Thermocouple Interrupter	GC0124		1	22	Receiver	EL0697		1
8	Pressure Test Restrictor Elbow	GC0095		1	23	Control Valve	GC0123		1
9	Straight Injector	IN0085	IN0088	NG: 2 LPG: 3	24	LED Lights and Wiring Loom	EL0743		1
10	Straight Injector	IN0083	IN0099	NG: 1 LPG: 2	25	Pilot with Injector	PI0069	PI0070	1
11	Straight Injector	IN0097	IN0105	1	26	Electrode	PI0075		1
12	Straight Injector	IN0087	N/A	1	27	Thermocouple	PI0074		1
13	Straight Injector	IN0084	N/A	1	28	Glass LED Cover (Front)	CE1911		1
14	Elbow Injector	IN0103	IN0102	1	29	Glass LED Cover (Rear Corner)	CE1962		1
15	Elbow Injector	IN0065	IN0106	1	30	Glass LED Cover (Rear Centre)	CE1963		1

i Due to continual technical improvements please check online or with your Gazco retailer for the most up to date parts lists.
 Only use Genuine Gazco spares when servicing your appliance.
 All of our essential spare parts and consumable items are available to purchase from our webshop at www.gazcospares.com.

INFORMATION REQUIREMENT - GAS HEATERS

INFORMATION REQUIREMENT FOR GASEOUS FUEL LOCAL SPACE HEATER

Model		Reflex 105 BF NG	Reflex 105 BF LPG
Fuel	Space Heating Emissions (NOx) - mg / kWh _{input} (GCV)	130	130

Heat Output	Nominal Heat Output - P_{nom}	9.9kW	10.2kW
	Minimum Heat Output (indicative) - P_{min}	3.4kW	3.4kW

Auxiliary Electricity Consumption	At Nominal Heat Output - $e_{l,max}$	0.003kW	0.003kW
	At Minimum Heat Output - $e_{l,min}$	0.003kW	0.003kW
	In Standby Mode - $e_{l,SB}$	0.003kW	0.003kW

Useful Efficiency (NCV)	Useful Efficiency at nominal heat output - $\eta_{th,nom}$	92.0%	92.0%
	Useful Efficiency at minimum heat output (indicative) - $\eta_{th,min}$	66.5%	66.5%

Permanent Pilot Flame Power requirement	Permanent Pilot Flame Power requirement (if applicable) - P_{pilot}	N/A	N/A
---	---	-----	-----

Type of heat output/room temperature control			
	Electronic room temperature control + day timer	Yes	Yes

Other control options (multiple selections possible)			
	Room temperature control, with presence detection	No	No
	Room temperature control, with open window detection	No	No
	With distance control option	No	No
	With adaptive start control	No	No
	With working time limitation	No	No
	With black bulb sensor	No	No

Energy Efficiency Index	88.8%	88.8%
Energy Efficiency Class	A	A

Contact:	Gazco Ltd, Osprey Road, Sowton Industrial Estate, Exeter, EX2 7JG
----------	---

SERVICE RECORDS

1ST SERVICE

Date of Service:.....

Next Service Due:.....

Signed:.....

Retailer's Stamp/GasSafe Registration Number

3RD SERVICE

Date of Service:.....

Next Service Due:.....

Signed:.....

Retailer's Stamp/GasSafe Registration Number

5TH SERVICE

Date of Service:.....

Next Service Due:.....

Signed:.....

Retailer's Stamp/GasSafe Registration Number

7TH SERVICE

Date of Service:.....

Next Service Due:.....

Signed:.....

Retailer's Stamp/GasSafe Registration Number

9TH SERVICE

Date of Service:.....

Next Service Due:.....

Signed:.....

Retailer's Stamp/GasSafe Registration Number

2ND SERVICE

Date of Service:.....

Next Service Due:.....

Signed:.....

Retailer's Stamp/GasSafe Registration Number

4TH SERVICE

Date of Service:.....

Next Service Due:.....

Signed:.....

Retailer's Stamp/GasSafe Registration Number

6TH SERVICE

Date of Service:.....

Next Service Due:.....

Signed:.....

Retailer's Stamp/GasSafe Registration Number

8TH SERVICE

Date of Service:.....

Next Service Due:.....

Signed:.....

Retailer's Stamp/GasSafe Registration Number

10TH SERVICE

Date of Service:.....

Next Service Due:.....

Signed:.....

Retailer's Stamp/GasSafe Registration Number

Gazco Limited, Osprey Road, Sowton Industrial Estate, Exeter, Devon, England EX2 7JG
Technical Customer Services: (01392) 261950 Fax: (01392) 261951
E-mail: technicalservices@gazco.com

A member of the Stovax Group
E & O E