



# Reflex

## Multi-Sided Inset Convector Fire Range



## 3 to 2 Sided Conversion kit

### IMPORTANT

THE OUTER CASING, FRONT AND GLASS PANEL BECOME EXTREMELY HOT DURING OPERATION AND WILL RESULT IN SERIOUS INJURY AND BURNS IF TOUCHED. IT IS THEREFORE RECOMMENDED THAT A FIREGUARD COMPLYING WITH BS 8423 (LATEST EDITION) IS USED IN THE PRESENCE OF YOUNG CHILDREN, THE ELDERLY OR INFIRM.

This product contains a Heat resistant glass panel. This panel should be checked during Installation and at each servicing interval. If any damage is observed on the front face of the glass panel (scratches, scores, cracks or other surface defects), the glass panel must be replaced and the appliance must not be used until a replacement is installed. Under no circumstances should the appliance be used if any damage is observed, the glass panel is removed or broken.

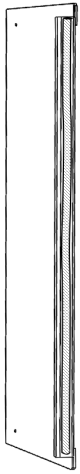
It is essential that ALL of the screws that retain the glass frame are replaced and tightened correctly. Under no circumstances should the appliance be operated if any of these screws are loose or missing.

These Instructions must be left with the appliance for future reference and for consultation when servicing the appliance. Please make the customer aware of the correct operation of the appliance before leaving these instructions with them.

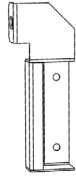
The commissioning sheet found on Page 3 of this Instruction manual must be completed by the Installer prior to leaving the premises.

PR2885.1.12.2020

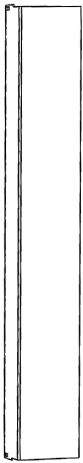
**KIT CONTENTS**



Inner Panel x 1



Decorative Panel Brackets x 2



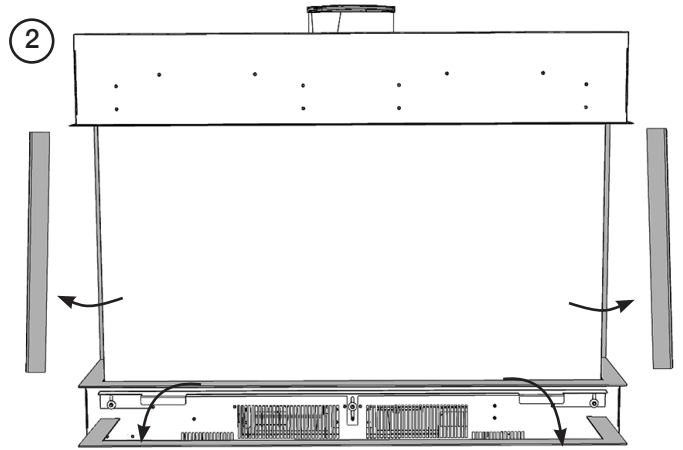
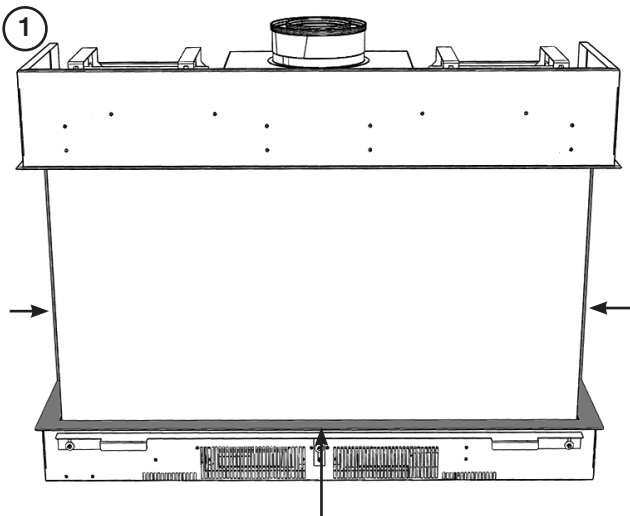
Decorative Panel x 1



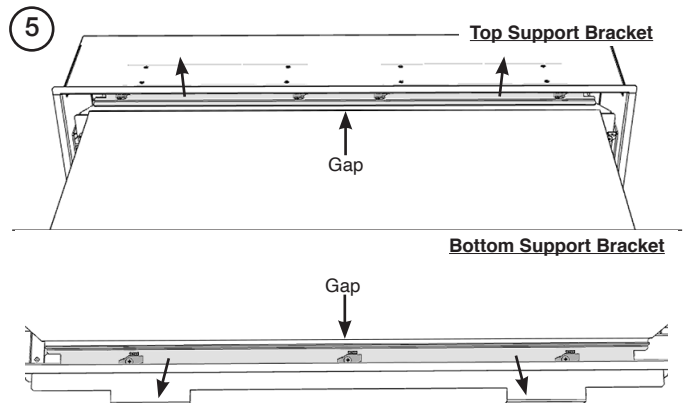
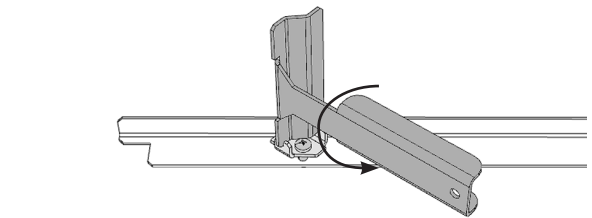
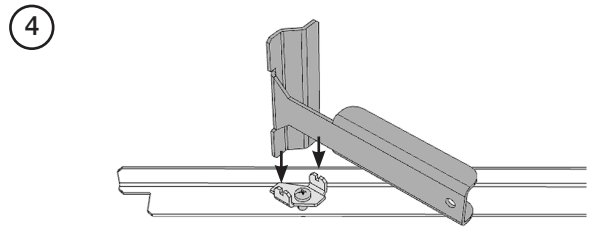
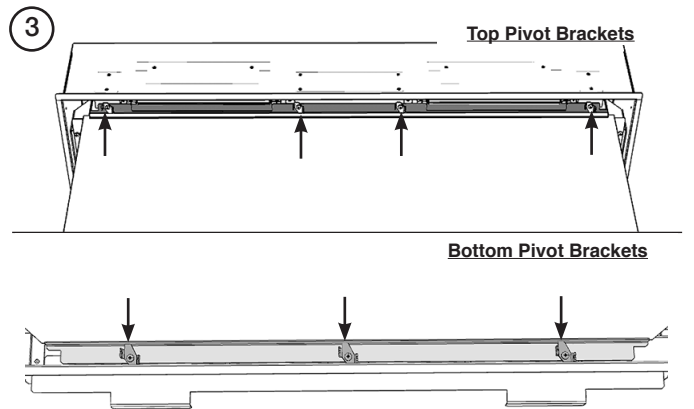
Inner Lining Panel x 1

**CONVERTING FROM 3 TO 2 SIDES**

Remove the decorative base and side trims.

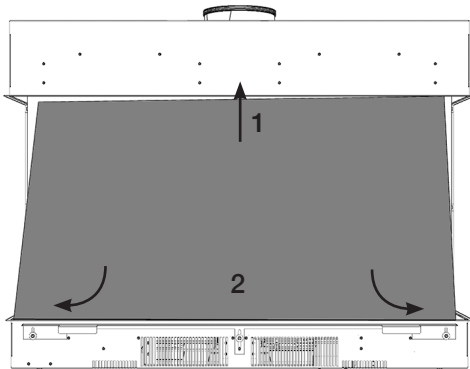


Loose the front glass clamps.



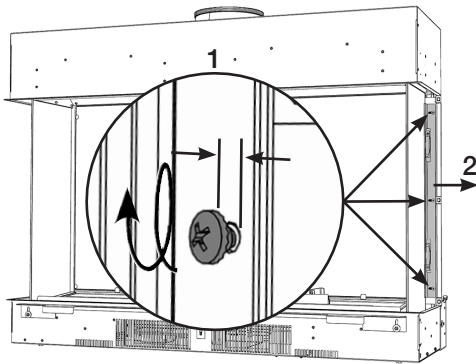
Lift out the front glass.

6



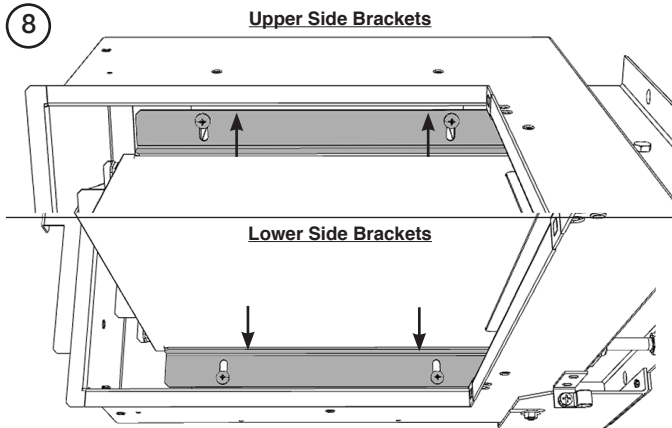
Loosen and slide side glass bracket.

7



Repeat for the 2 upper Brackets and 2 lower Brackets.

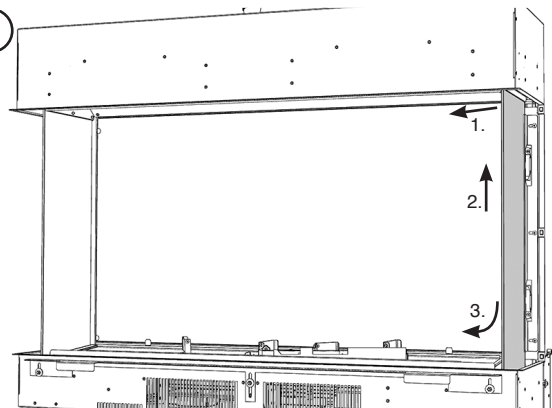
8



With the brackets disengaged, carefully slide the side glass panel forward, lift, and swing the bottom out to remove.

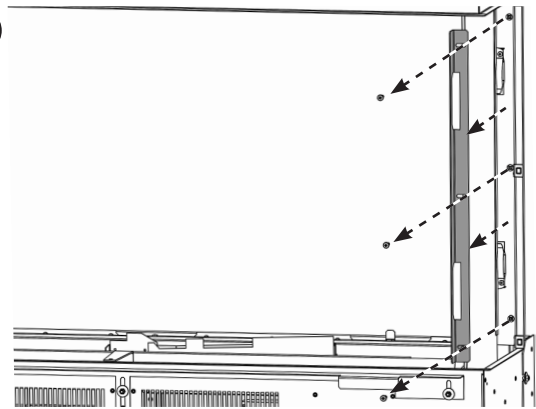
Place the glass carefully to one side.

9



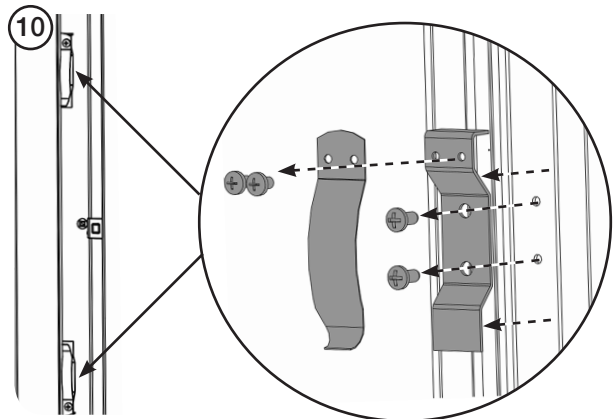
Fully remove the side bracket.

10

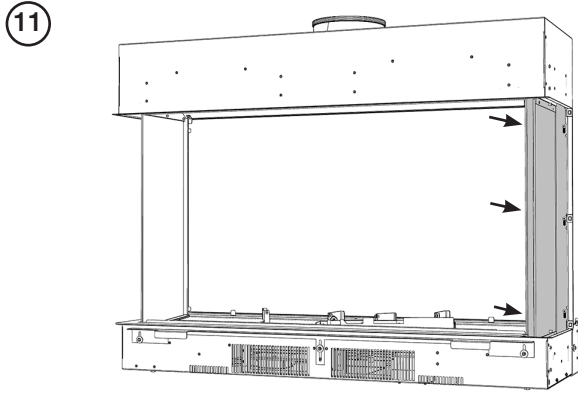


Remove the side clips.

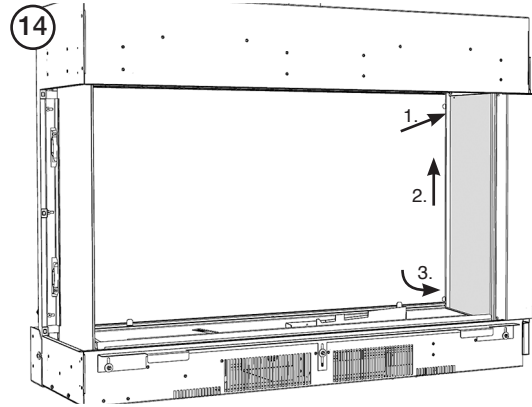
10



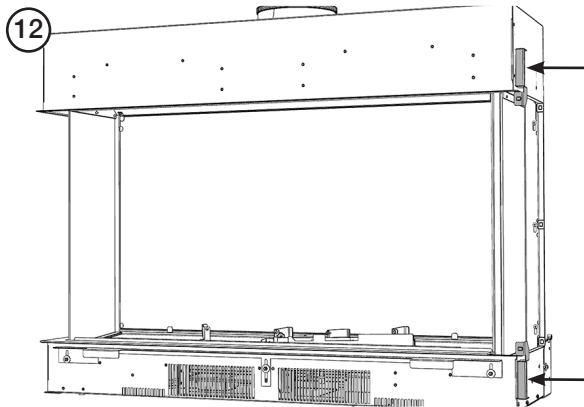
Fit the side panel.



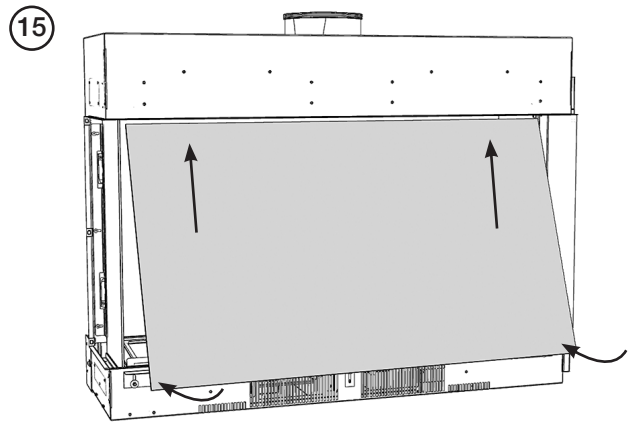
Slide in the side liner.



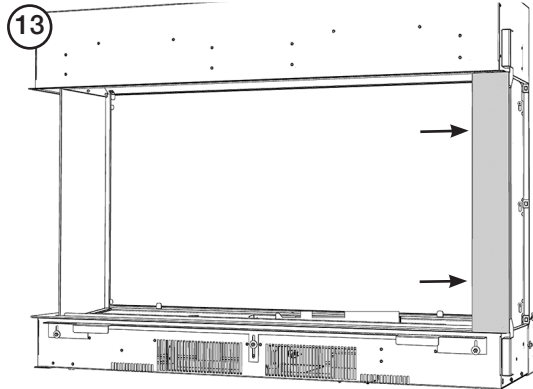
Attach the top and bottom side brackets.



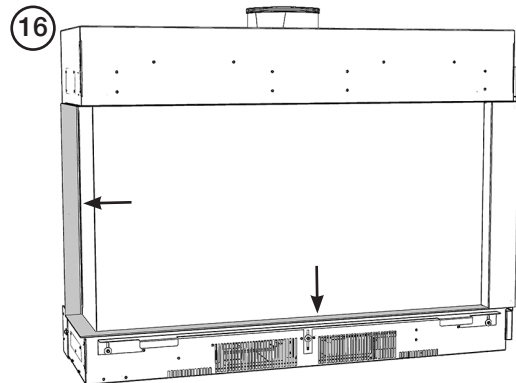
Refit the front glass.



Fit the decorative trim.



Refit one of the decorative side trims and new base trim.



# GAZCO

Gazco Ltd, Osprey Road, Sowton Industrial Estate, Exeter, Devon, England EX2 7JG  
Tel: (01392) 474011 Fax: (01392) 219932 E-mail: info@gazco.com www.gazco.com

E & O E



PR2854