



Fire Your Imagination

MyFire WiFi Fitting Kit

For use with the Reflex Range



Instructions for Installation

For use in GB & IE (Great Britain & Republic of Ireland).

IMPORTANT

These products are only for use with Gazco Reflex products listed and must be installed and used in accordance with these instructions.

Installation Instructions

General

This manual has been designed to show the installation methods available to fit a MyFire WiFi module to the Reflex. Please carefully read in conjunction with the Installation Instructions for the Reflex making sure the appropriate method is understood before attempting to install the product.

DISCONNECT MAINS ELECTRICAL SUPPLY AT THE ACCESSIBLE PLUG OR DEDICATED SWITCH BEFORE SERVICING THE APPLIANCE.

IT IS ESSENTIAL THAT THE GAS SUPPLY TO THE APPLIANCE IS TURNED OFF AT THE ISOLATION DEVICE BEFORE PROCEEDING FURTHER.

Kit Contents - Conventional Flue

- 1 x WiFi Module
- 1 x WiFi Cable
- 2 x Velcro Pads
- 2 x Instruction Manuals

Pre-Installation

Before installing the WiFi module it will be necessary to access the appliance control assembly.

This will require removal of the following components depending on model:

- Decorative Front - Conventional flue only.
- Glass Panel - All models.
- Side & Bottom Trims - All models.
- Fuel Effect - Conventional flue only.
- Log Burners - Conventional flue only.
- Mesh Screen - Conventional flue only.

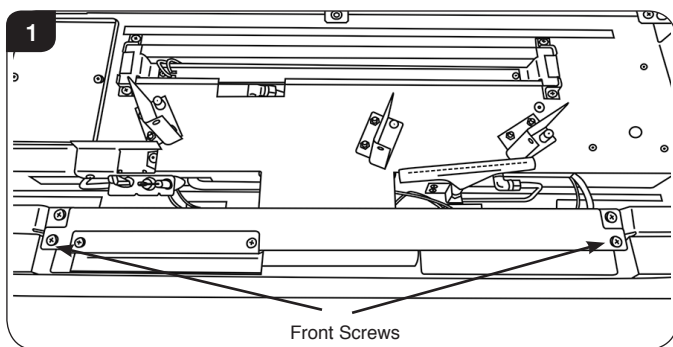
Consult the installation manual supplied with the appliance for removal and refitting instructions.

Conventional Flue Models

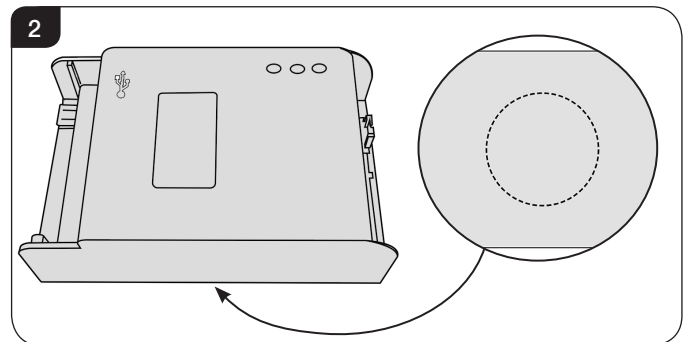
1. Fitting the WiFi Module

Remove the Decorative Front, Glass Panel, Fuel Effect, Log Burners and Mesh Screen as detailed in the appliance instructions.

- 1.1 Remove the 2 screws from the Air Guide, see Diagram 1.



- 1.2 Lift and rotate the Air Guide upwards from the front edge to remove.
Note the orientation for reassembly of the air guide.
- 1.3 Secure the velcro pads to the **underside** of the WiFi module and position in the allocated position, see Diagram 2.

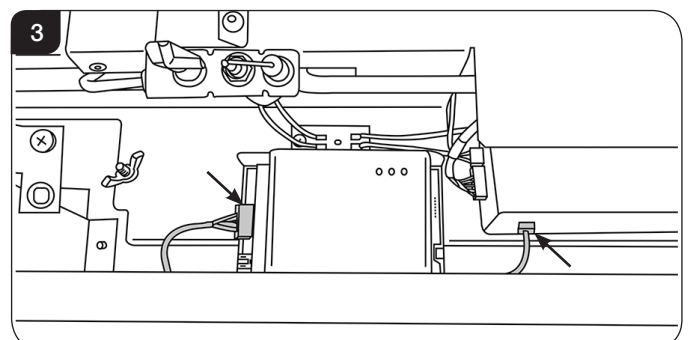


- 1.4 **Before fitting:** Using the WiFi cable connect the WiFi module to the receiver module.

When satisfied with the position remove the backing from the velcro pad and secure in place.

Ensure the WiFi module butts up to the folded return beside the LED bar & clearance is left between the front edge of the fire and the WiFi module.

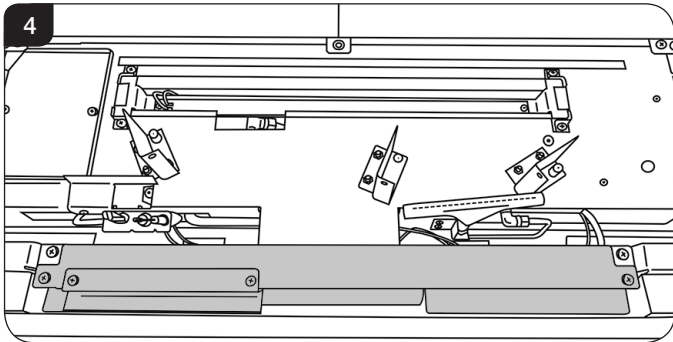
For final position Gazco recommend running the cable along the front edge of the fire to avoid obstruction of any internal components.



Installation Instructions - Conventional Flue

NOTE: Ensure none of the wires are snagged or caught on any internal components.

- 1.5 Rotate and slide the air guide into position with the ends locating under the side brackets. Ensure that the angled metal is sloping towards the front of the appliance.

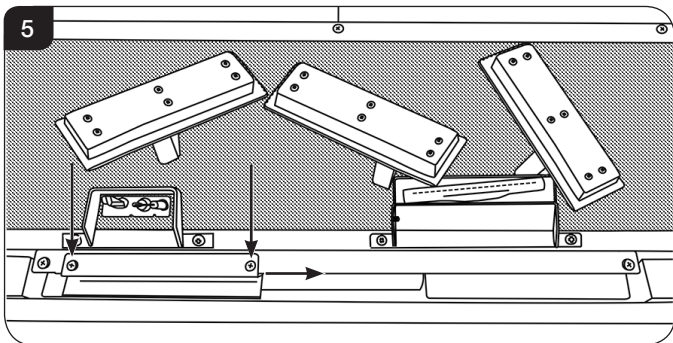


- 1.6 Replace the Main Burners and Fuel Effect.

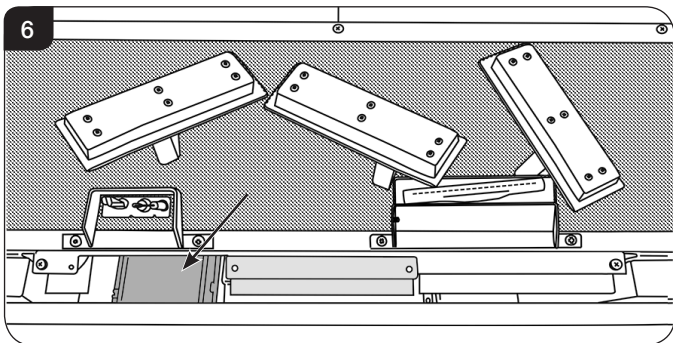
2. Accessing the WiFi Module

Once installed, the WiFi module can be accessed by following the below instruction.

- 2.1 Remove the Glass Frame, see Instructions provided with appliance model.
- 2.2 Remove the two screws securing the WiFi Module access panel and slide across, see Diagram 5.



The WiFi module is now accessible, see Diagram 6.



Follow the steps listed in the MyFire App Setup manual PR2467 to connect a smart device to the fire.

Once connected, replace the service hatch in reverse order.

- 2.3 Replace the Glass Frame.

The installation is now complete.



Once the WiFi module has been installed and connected to a power source there is a 24 hour window to complete the setup process on the MyFire app.

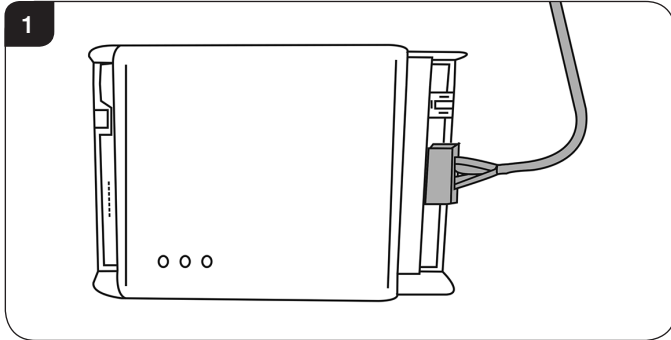
If setup is not completed in this time the WiFi module will have to be manually reset to complete setup, see the installation instructions supplied with the appliance.

Installation Instructions - Balanced Flue

Balanced Flue Models

1. Fitting the WiFi Module

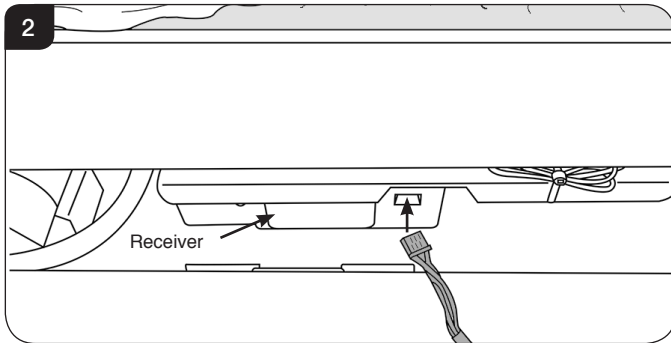
- 1.1 Remove the Glass Frame, see Instructions provided with appliance model.
- 1.3 Connect the module lead to the WiFi module, see Diagram 1.



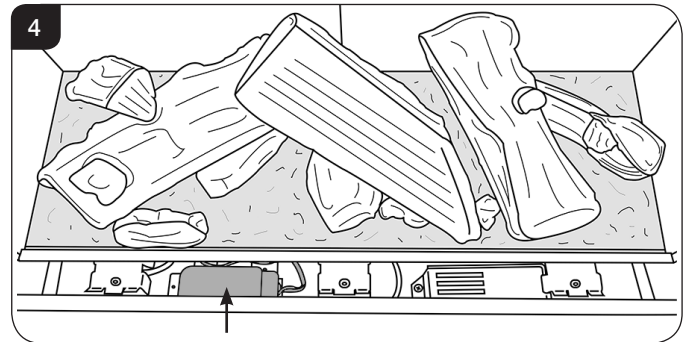
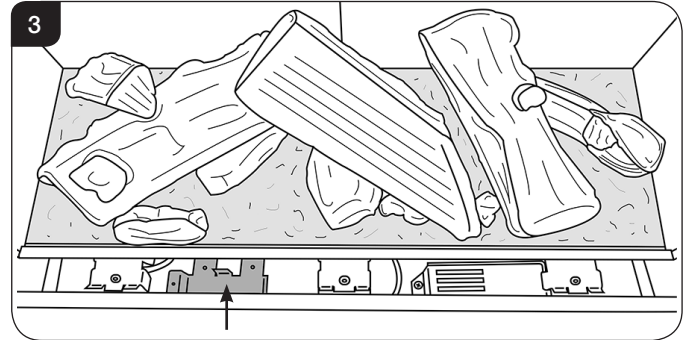
- 1.3 The receiver is located in front of the module bracket, beneath the Main Control Assembly, see Diagram 2.

Using long nose pliers connect the other end of the module lead to the receiver.

Note: Do not force the connector into position, ensure the connector is at the correct orientation before inserting.



- 1.2 Carefully position the WiFi Module in the module bracket, ensuring the correct orientation, see Diagrams 3 & 4.



NOTE: Ensure none of the wires are snagged or caught on any internal components.

Follow the steps listed in the MyFire App Setup manual PR2467 to connect a smart device to the fire.

- 1.6 Replace the Glass Frame, see PR2272.

The installation is now complete.



Once the WiFi module has been installed and connected to a power source there is a 24 hour window to complete the setup process on the MyFire app.

If setup is not completed in this time the WiFi module will have to be manually reset to complete setup, see the installation instructions supplied with the appliance.